

[54] **SHAVING UNIT AND OVERCAP DISPENSER**
[75] Inventor: Michael J. Gray, Duxbury, Mass.
[73] Assignee: The Gillette Company, Boston, Mass.
[**] Term: 14 Years
[21] Appl. No.: 294,547
[22] Filed: Jan. 9, 1989

D. 256,997 9/1980 Motta D9/189
D. 256,998 9/1980 Motta D9/340
3,771,223 11/1973 Dawidowicz et al. 30/40
3,783,510 1/1974 Dawidowicz et al. 30/40.2 X
3,835,532 9/1974 Petrillo 30/40.2
3,854,201 12/1974 Dawidowicz et al. 30/40.2
3,880,284 4/1975 Pomfret 206/354
4,128,172 12/1978 Joyce 206/352
4,173,285 11/1979 Kiraly 206/356
4,742,909 5/1988 Apprille, Jr. et al. 206/356

Primary Examiner—Bernard Ansher
Assistant Examiner—Pradhakar Deshmukh
Attorney, Agent, or Firm—John P. Morley

Related U.S. Application Data

[63] Continuation-in-part of Ser. No. 48,784, May 12, 1987.
[52] U.S. Cl. D9/342
[58] Field of Search D9/340, 341, 342;
206/352, 354, 356, 208, 228, 240, 355, 360;
30/40, 40.2, 32 R; 221/31

[57] **CLAIM**

The ornamental design for a shaving unit and overcap dispenser, as shown.

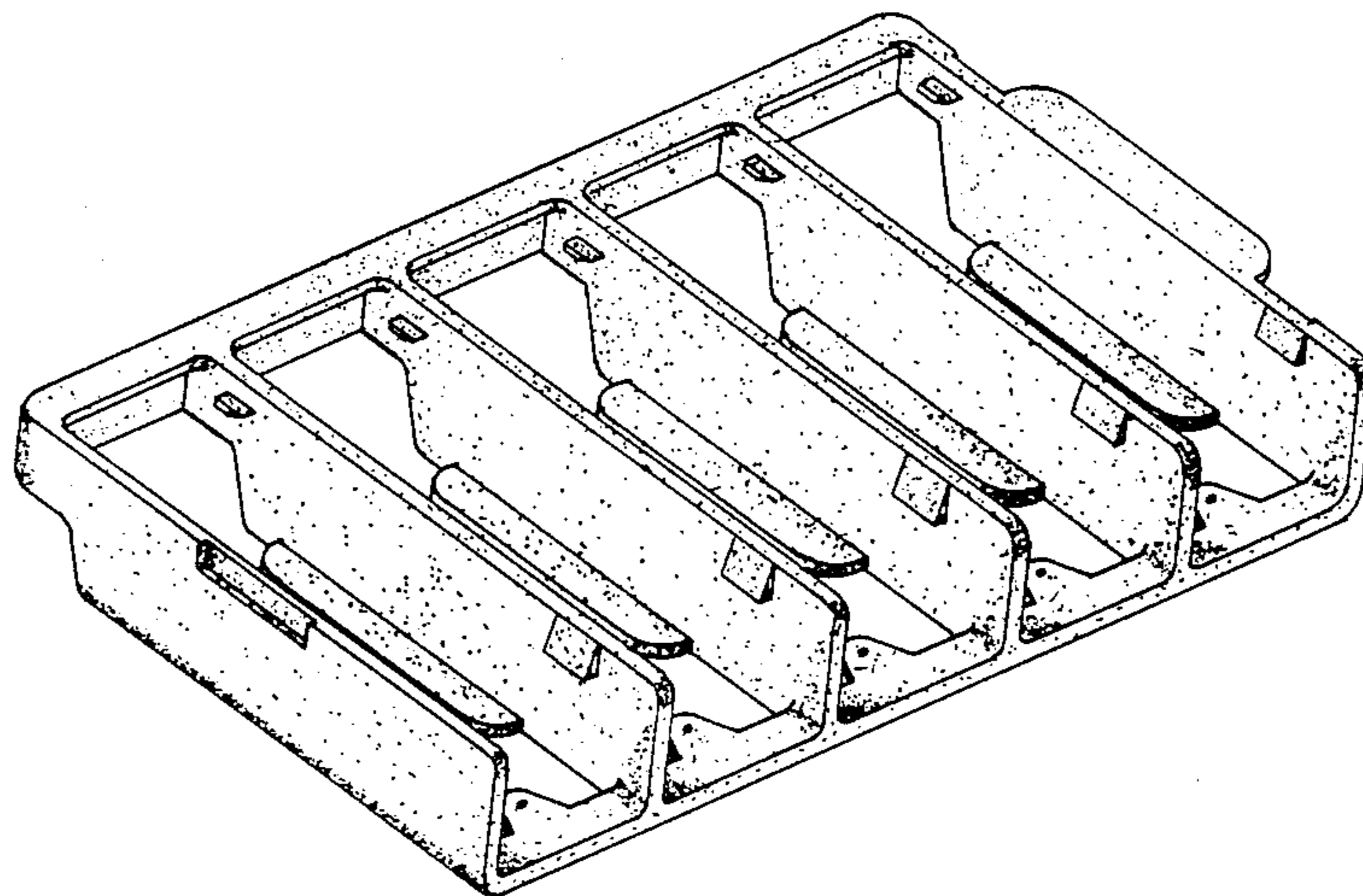
DESCRIPTION

FIG. 1 is a perspective view of a shaving unit and overcap dispenser, showing my new design;
FIG. 2 is a top plan view thereof;
FIG. 3 is a left side elevational view thereof;
FIG. 4 is a bottom view thereof;
FIG. 5 is a right side elevational view thereof;
FIG. 6 is a front elevational view thereof; and
FIG. 7 is a rear elevational view thereof.

[56] **References Cited**

U.S. PATENT DOCUMENTS

D. 226,553 3/1973 Glaberson D9/340
D. 231,198 4/1974 Casselli D9/340
D. 233,417 10/1974 Pomfret D9/189
D. 240,507 7/1976 Hood D9/189
D. 256,996 9/1980 Kiraly D9/189



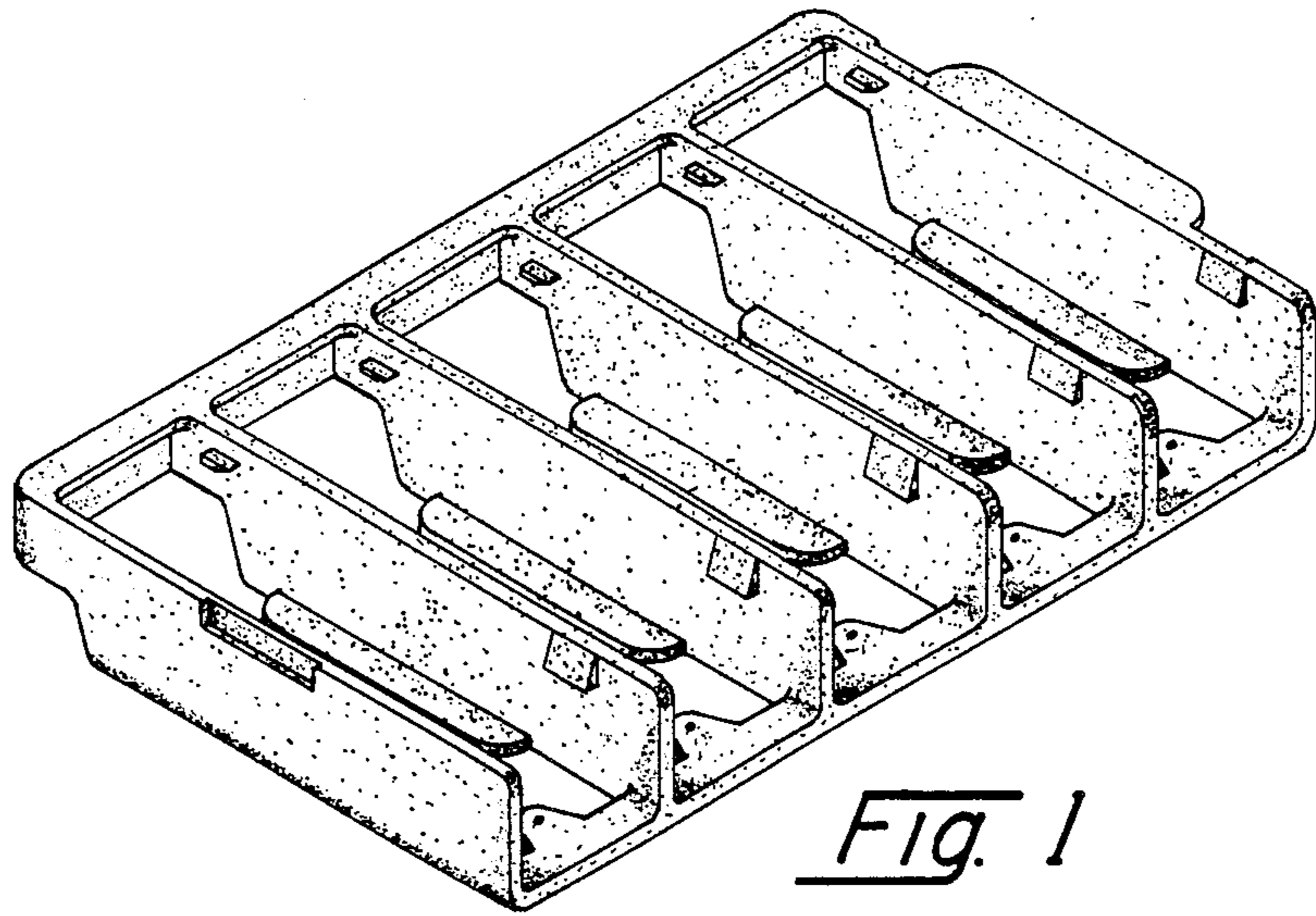


Fig. 1

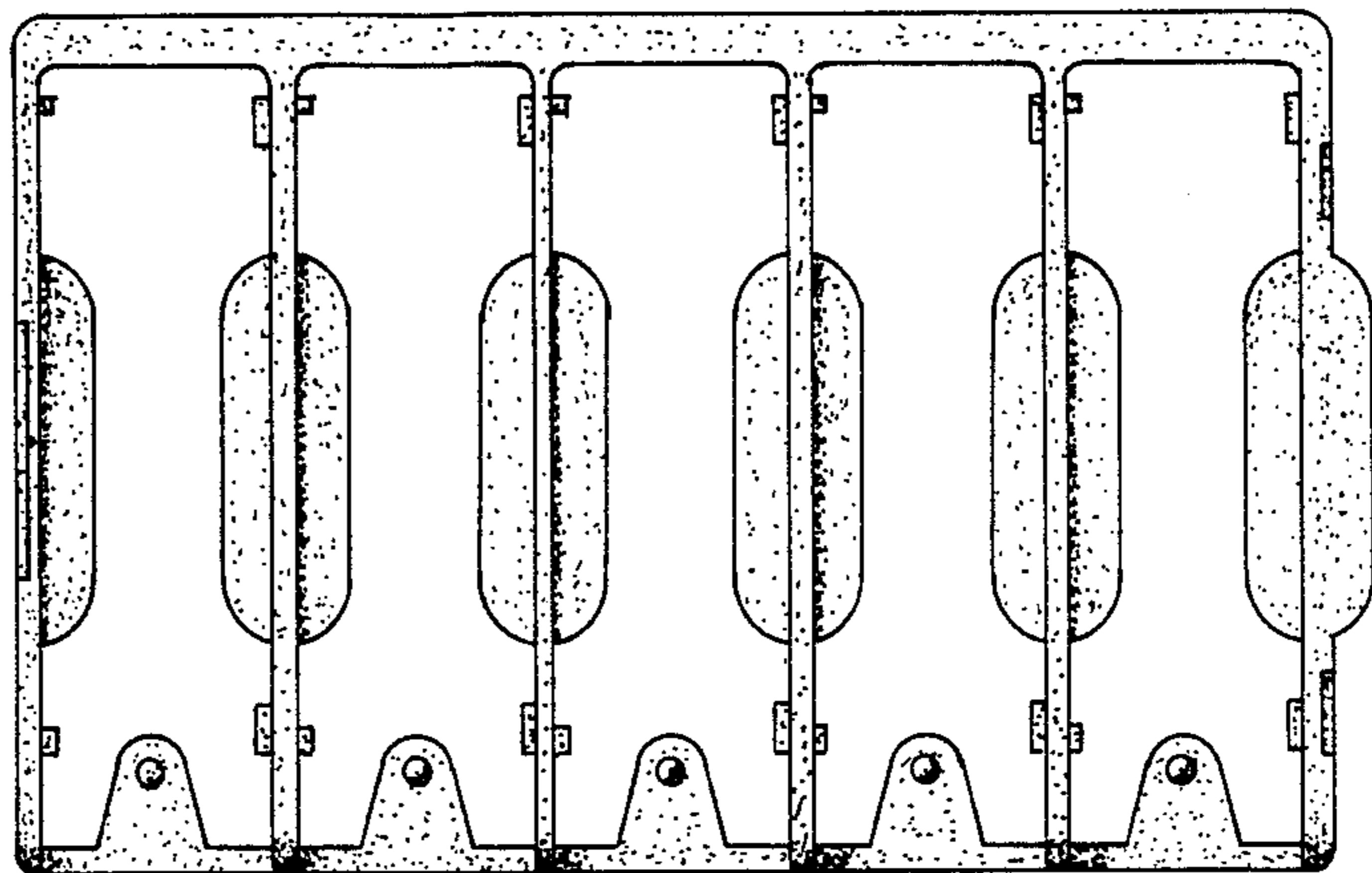


Fig. 2

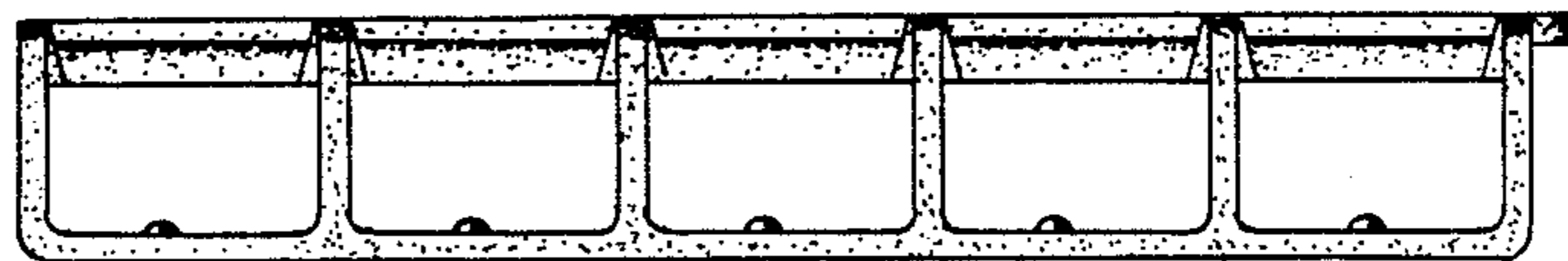


Fig. 3

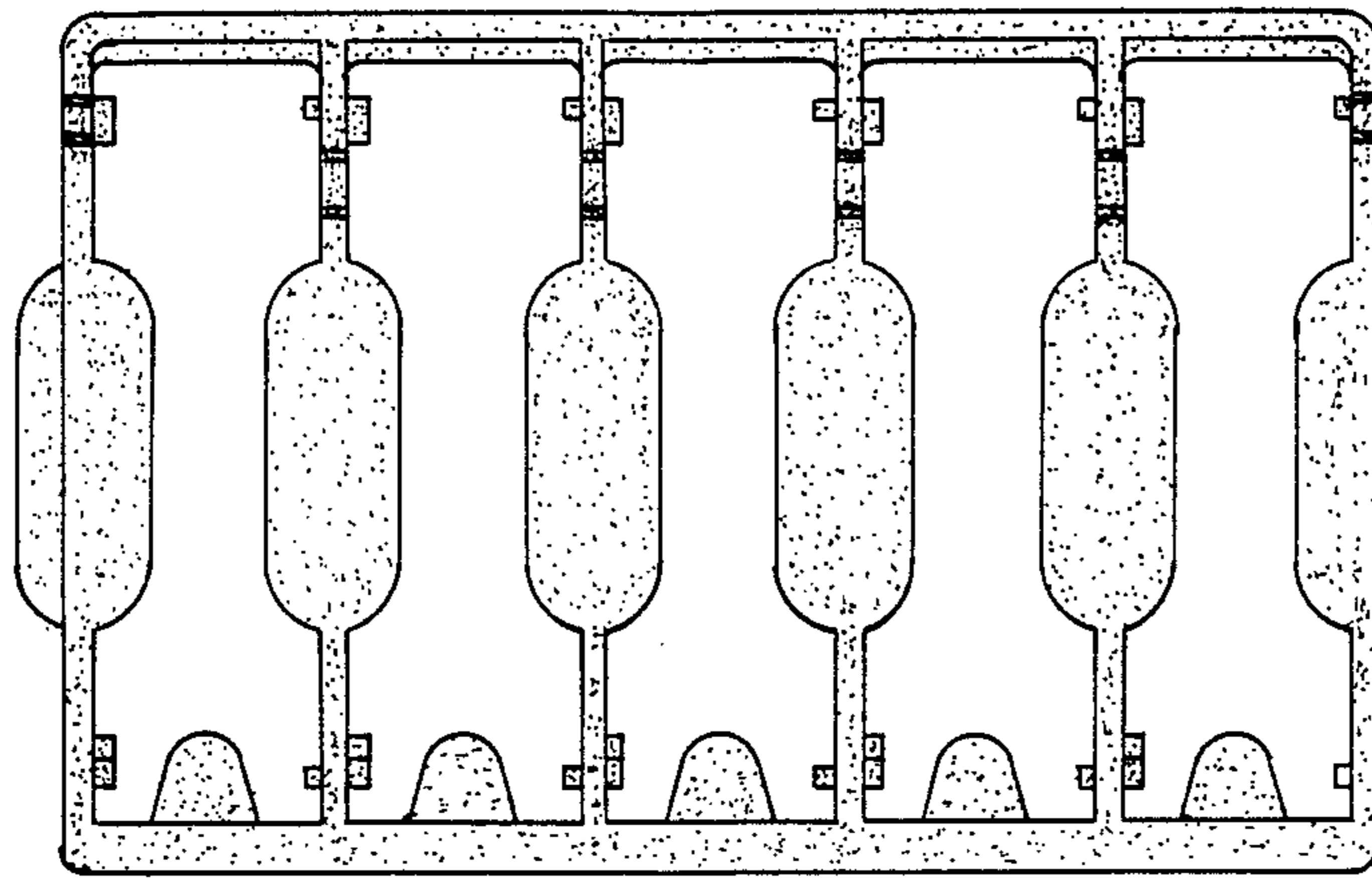


Fig. 4

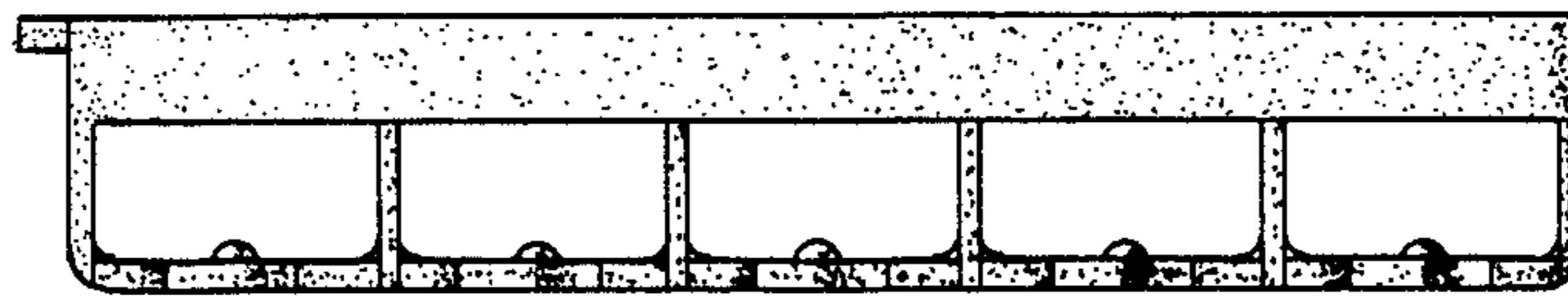


Fig. 5

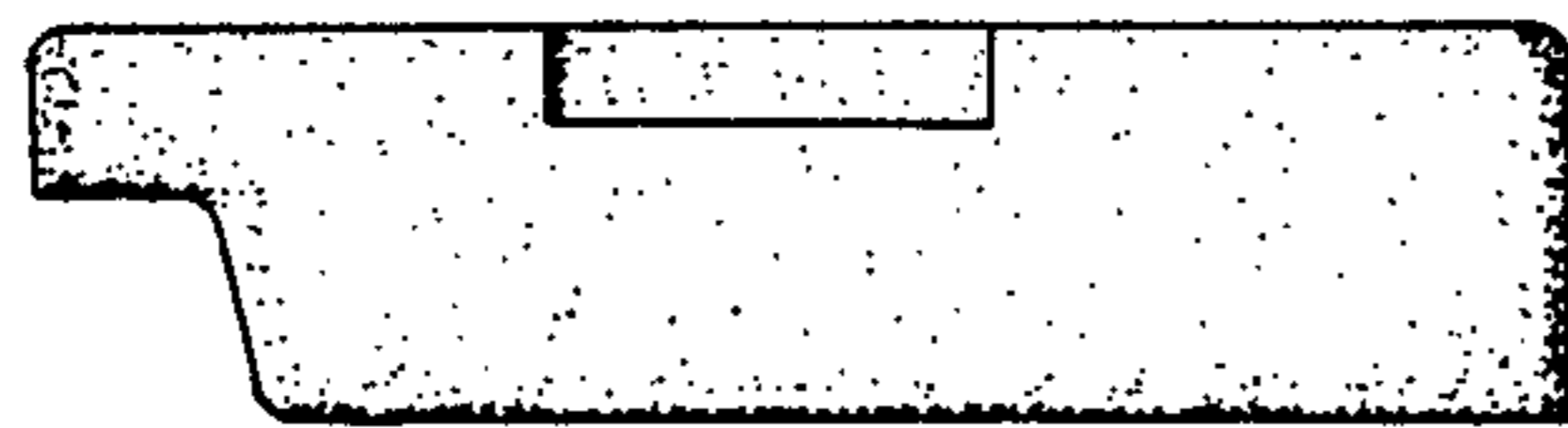


Fig. 6

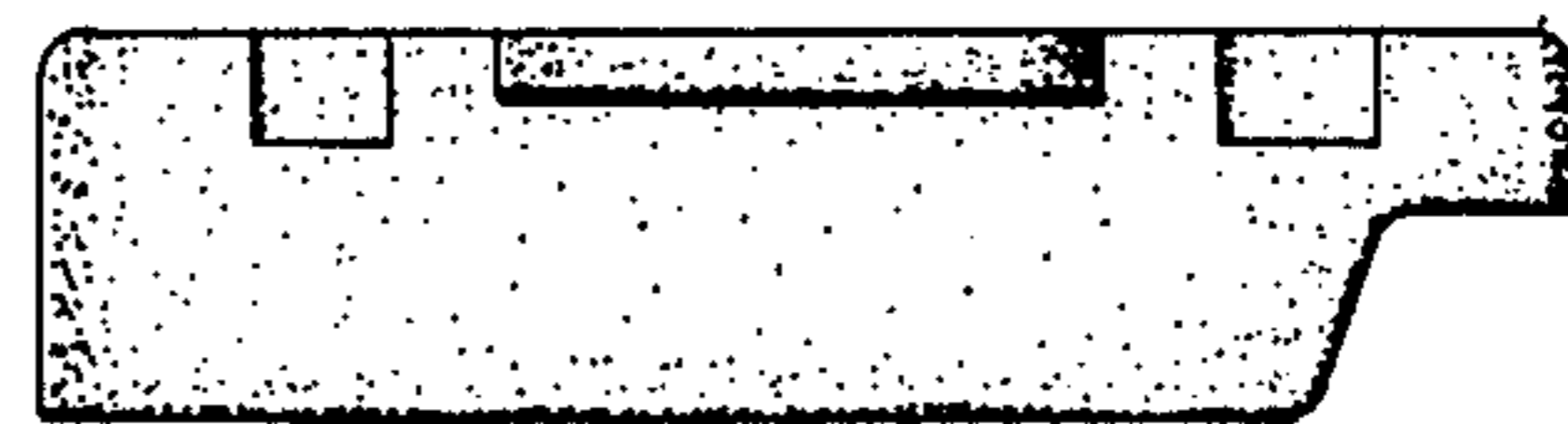


Fig. 7