

[54] FLAT MOUNTED MOORING LINE HOLDER

D. 268,247 3/1983 Prete, Jr. D8/356
D. 273,044 3/1984 Holcomb D8/355 X

[76] Inventor: Patrick Scherer, 36939 Harper - Apt.
20, Mt. Clemens, Mich. 48043

Primary Examiner—Horace B. Fay, Jr.
Attorney, Agent, or Firm—Reising, Ethington, Barnard,
Perry & Milton

[**] Term: 14 Years

[21] Appl. No.: 135,751

[57] CLAIM

The ornamental design for a flat mounted mooring line holder, as shown and described.

[22] Filed: Dec. 21, 1987

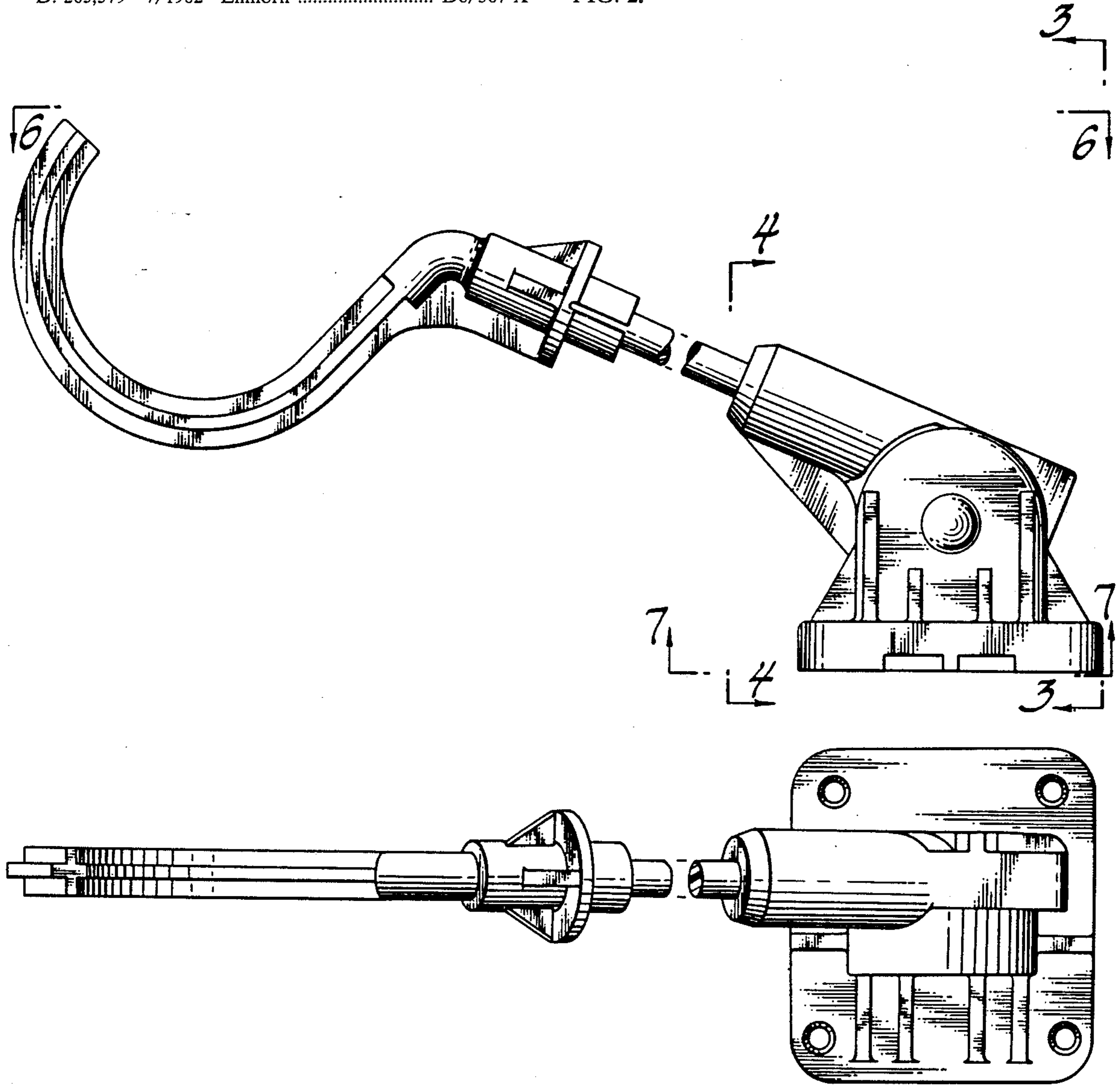
[52] U.S. Cl. D8/355; D8/363;
D8/356

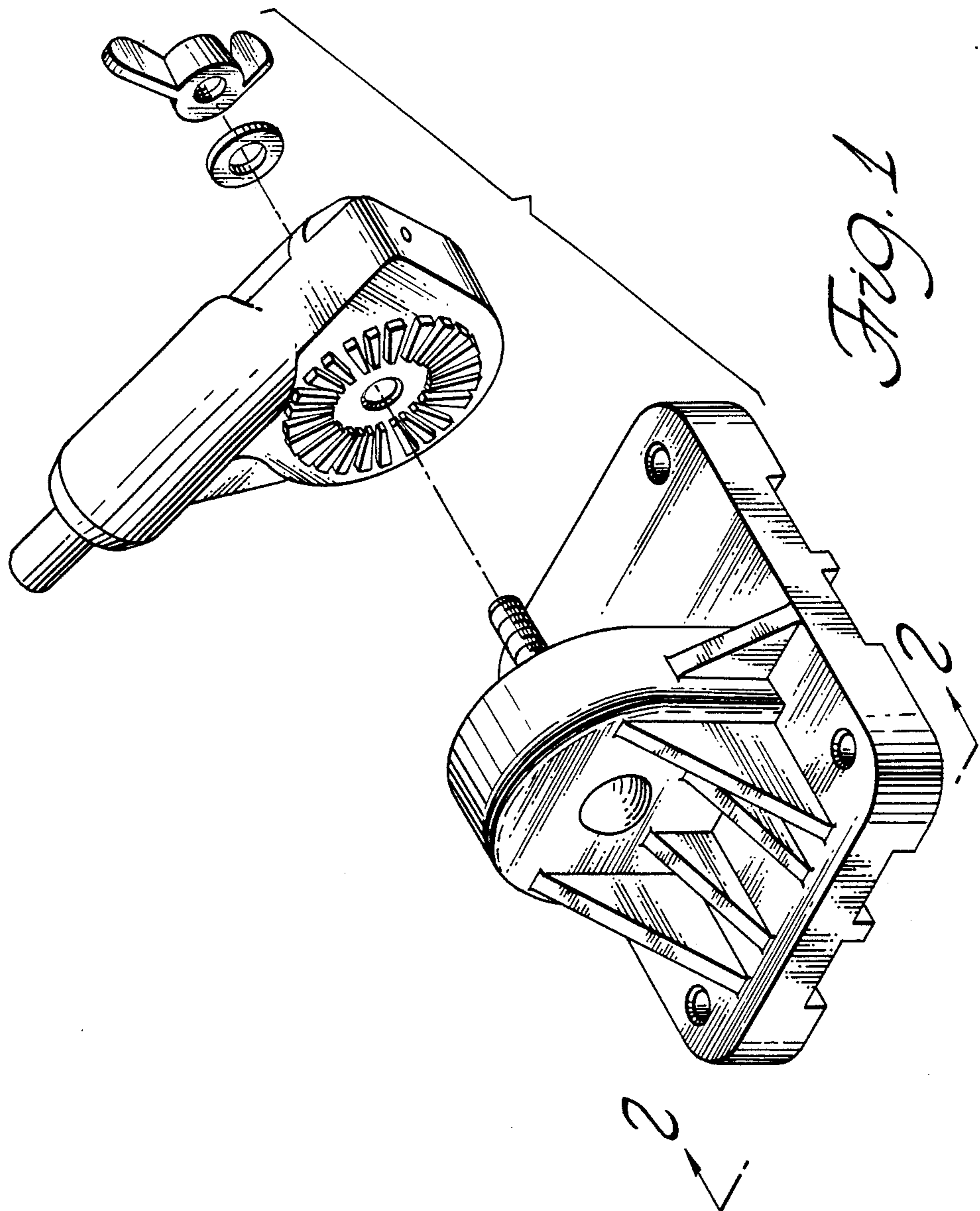
DESCRIPTION

[58] Field of Search D8/355, 356, 363, 367,
D8/383, 382; 248/290, 294, 291

FIG. 1 is an exploded perspective view of a flat mounted mooring line holder showing my new design; FIG. 2 is a side elevational view as seen along lines 2—2 of FIG. 1; FIG. 3 is a rear elevational view as seen along lines 3—3 of FIG. 2; FIG. 4 is a front elevational view taken along lines 4—4 of FIG. 2; FIG. 5 is a side elevational view as seen along lines 5—5 of FIG. 3; FIG. 6 is a top plan view as seen along lines 6—6 of FIG. 2; and FIG. 7 is a bottom plan view as seen along lines 7—7 of FIG. 2.

- [56] References Cited
- U.S. PATENT DOCUMENTS
- D. 46,417 9/1914 Tice D8/363 X
 - D. 60,744 3/1922 Weyman D8/355
 - 188,292 6/1960 Oleviewicz D8/355
 - D. 201,694 7/1965 Spindler D8/355
 - D. 202,376 7/1965 Neill D8/355
 - D. 229,480 12/1973 Brushaber D8/355
 - D. 247,217 2/1978 Merry D8/383 X
 - D. 262,816 1/1982 Radocy D8/367 X
 - D. 265,379 7/1982 Einhorn D8/367 X





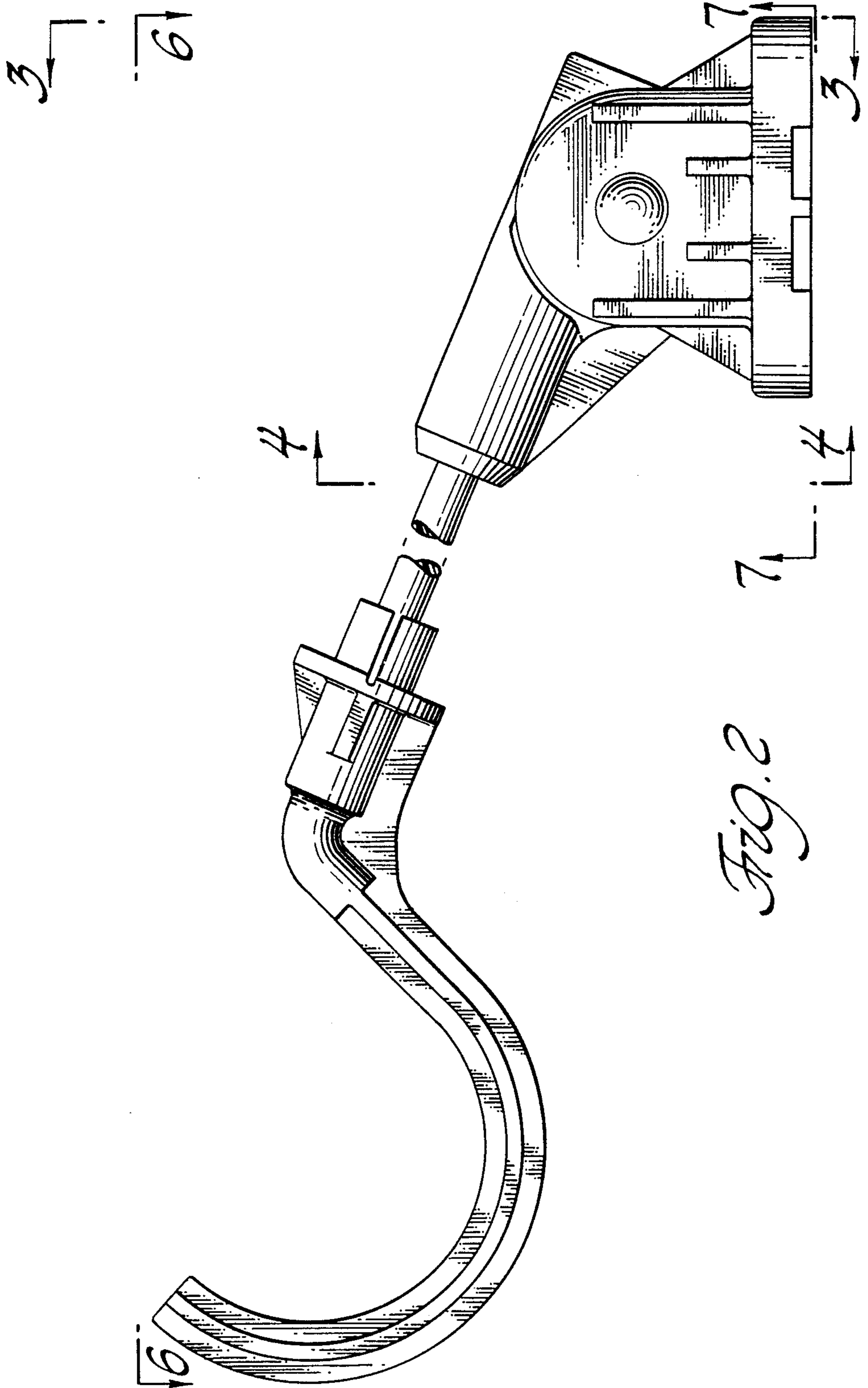


FIG. 2

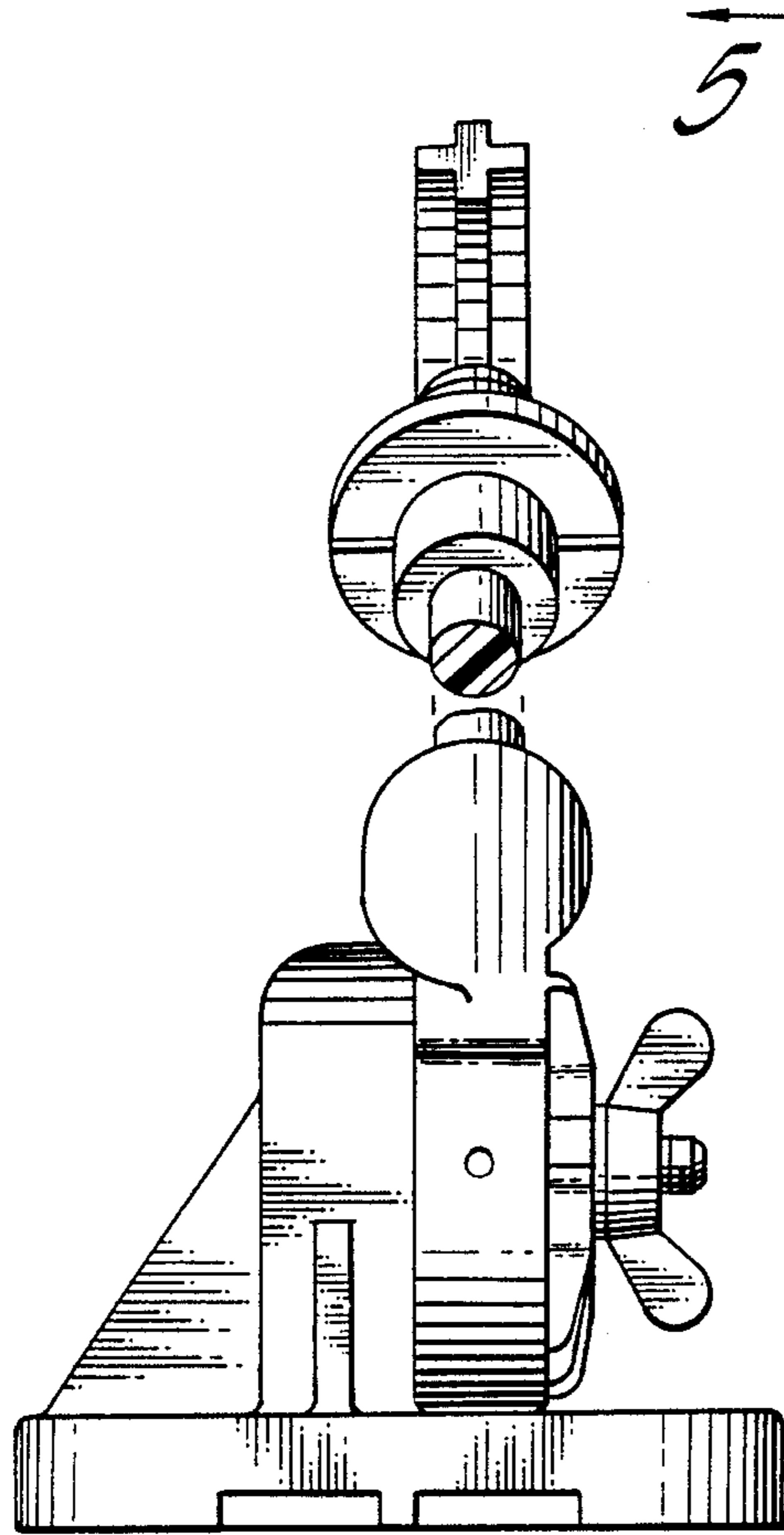


Fig. 3

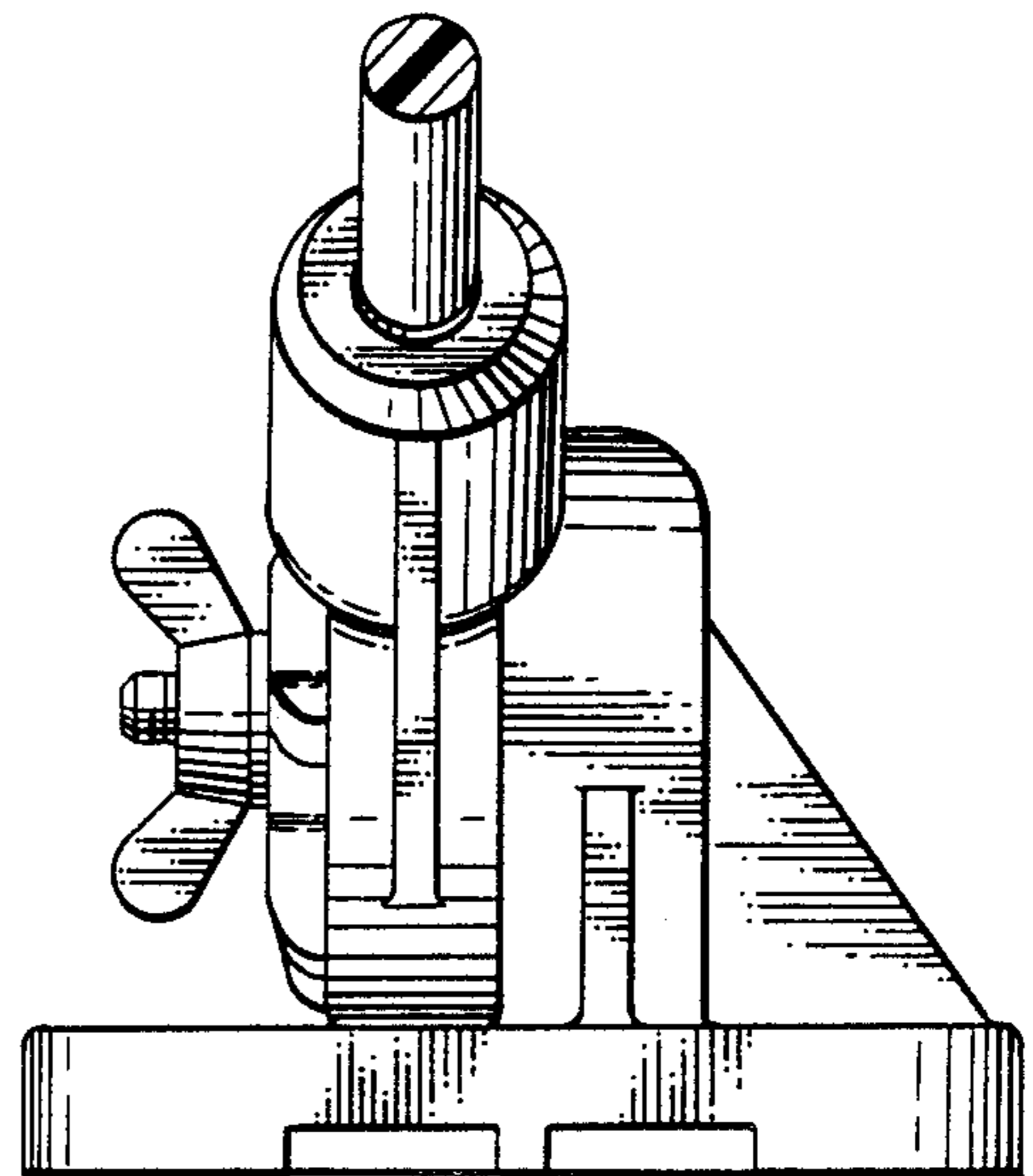
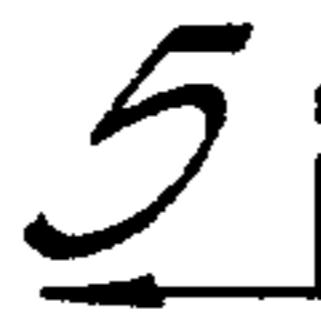


Fig. 4

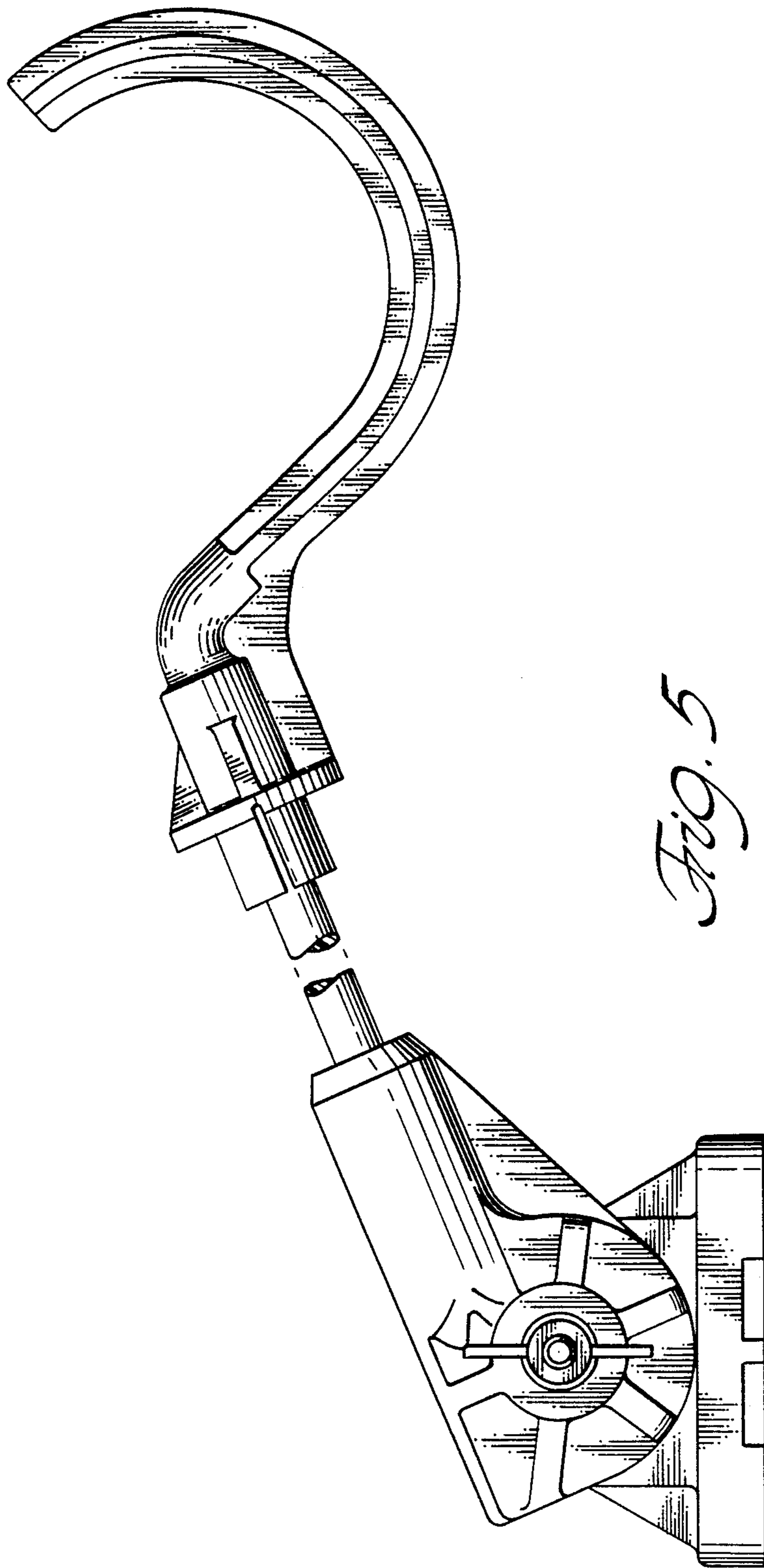


Fig. 5

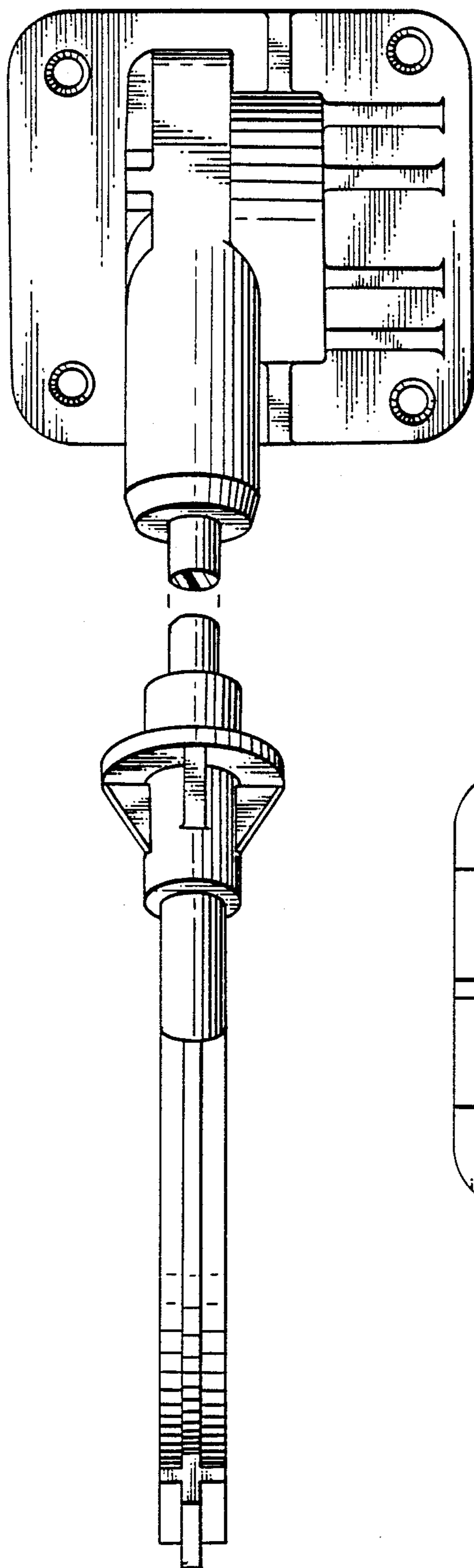


Fig. 6

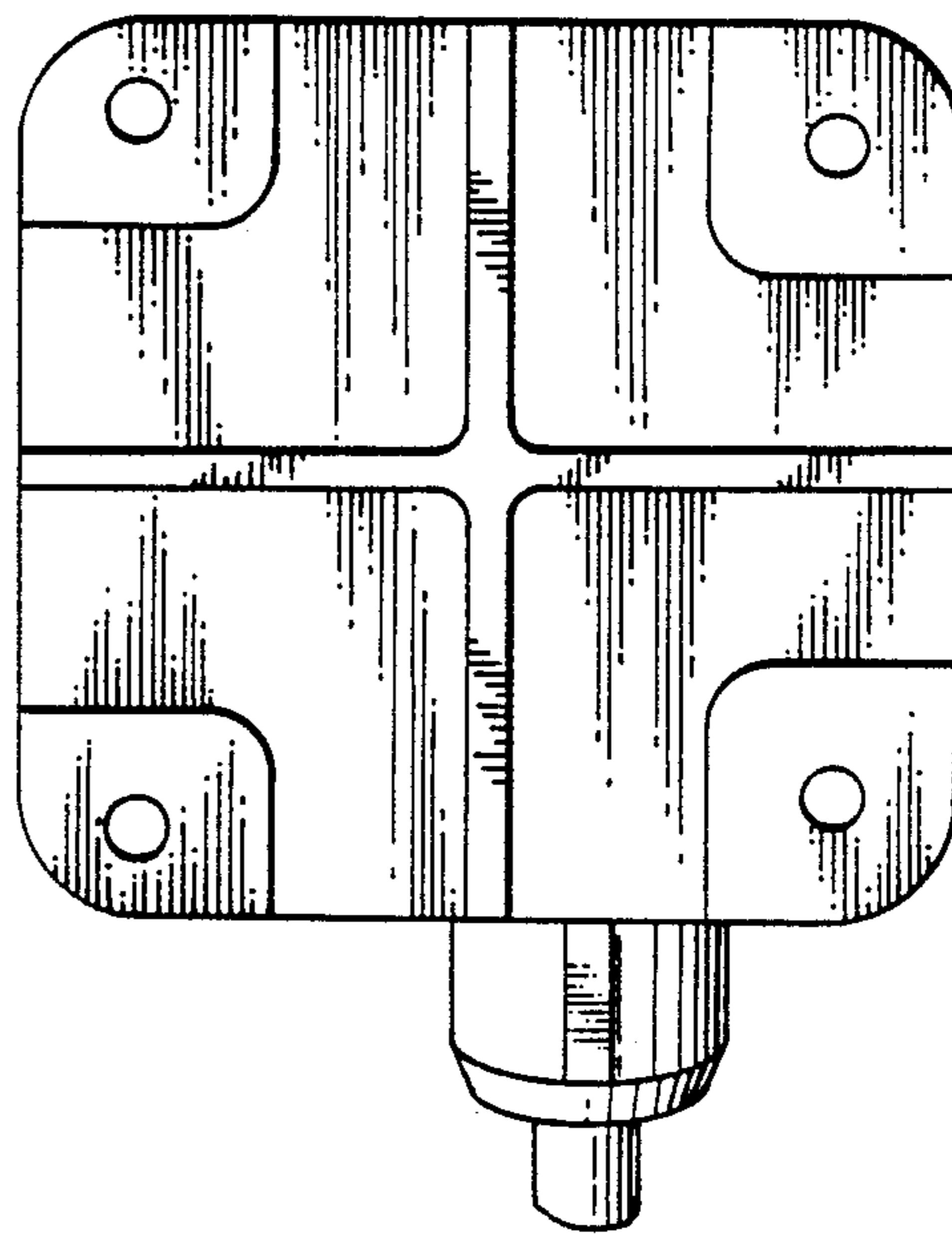


Fig. 7