

[54] HANDLE TRIM SET ASSEMBLY

[75] Inventors: Loren E. Abraham; Richard W. Hauer, both of Stillwater, Minn.

[73] Assignee: Andersen Corporation, Bayport, Minn.

[**] Term: 14 Years

[21] Appl. No.: 154,116

[22] Filed: Feb. 9, 1988

[52] U.S. Cl. D8/301; D8/307; D8/308; D8/353

[58] Field of Search D8/300, 301, 302, 307, D8/308, 350, 353; 16/110 R, 111 R, 121, 124, 125

[56] References Cited

U.S. PATENT DOCUMENTS

D. 295,829 5/1988 Ortega et al. D8/301

OTHER PUBLICATIONS

Assa Cat.; ©1986; p. 13; Lever and Escutcheon 4291. Barrows Cat. No. 38; ©1939; p. 81; Escutcheon No. 16447.

Schlage Cat. C75H; ©1977; p. 19; Saratoga Lever and Rose.

Page 48 from Andersen Corporation Catalogue; undated; Item 6; Patio Door Hardware Set.

Primary Examiner—B. J. Bullock

Attorney, Agent, or Firm—Merchant, Gould, Smith, Edell, Welter & Schmidt

[57] CLAIM

The ornamental design for a handle trim set assembly, as shown and described.

DESCRIPTION

FIG. 1 is a front perspective view, shown from the outside, of a handle trim set assembly showing our new design;

FIG. 2 is a rear perspective view, shown from the inside;

FIG. 3 is a top plan view;

FIG. 4 is a bottom plan view;

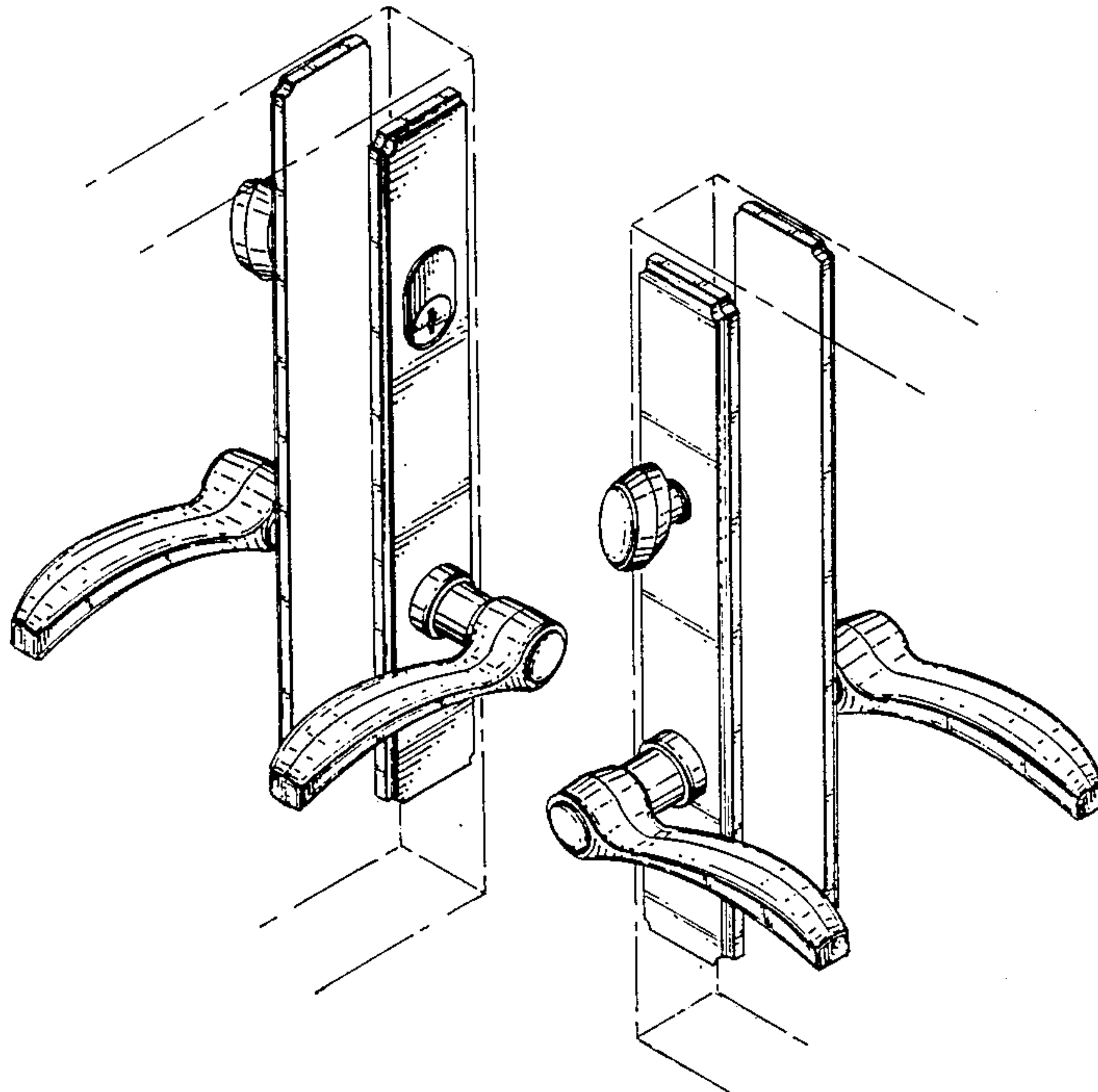
FIG. 5 is a right side elevational view;

FIG. 6 is a left side elevational view;

FIG. 7 is a front elevational view; and

FIG. 8 is a rear elevational view.

The broken line showing of a portion of a door in all views is for illustrative purposes only.



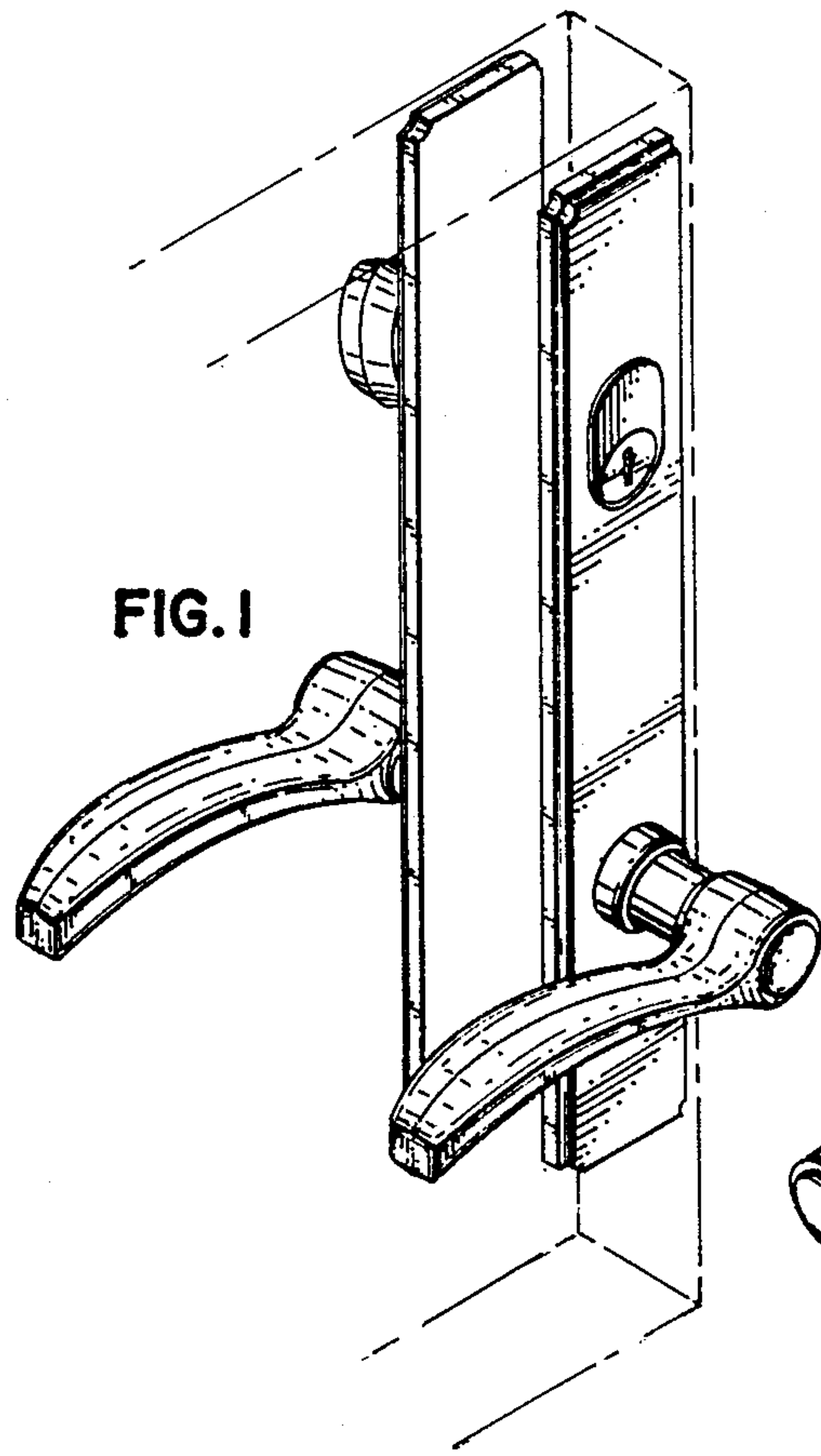


FIG. 1

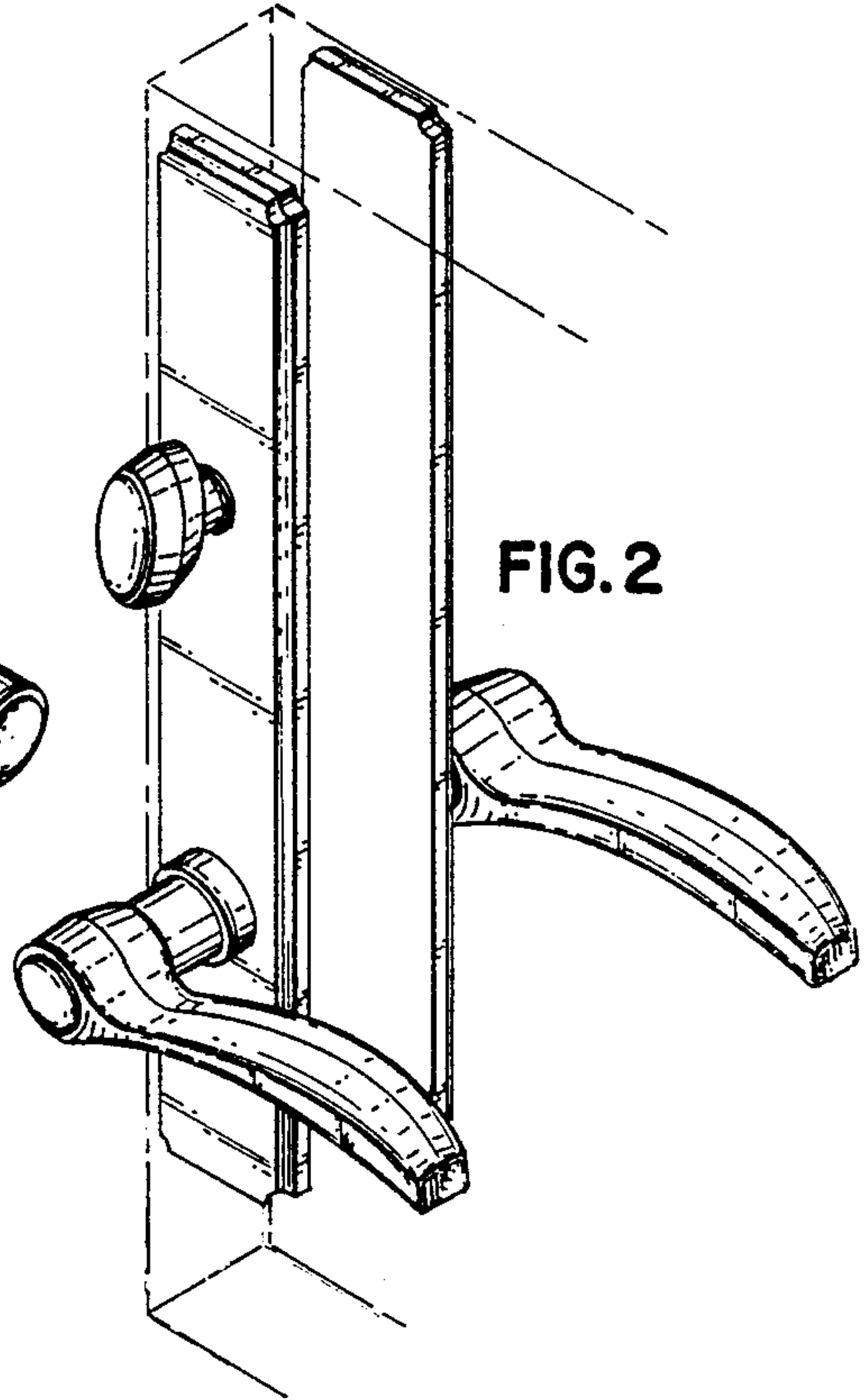


FIG. 2

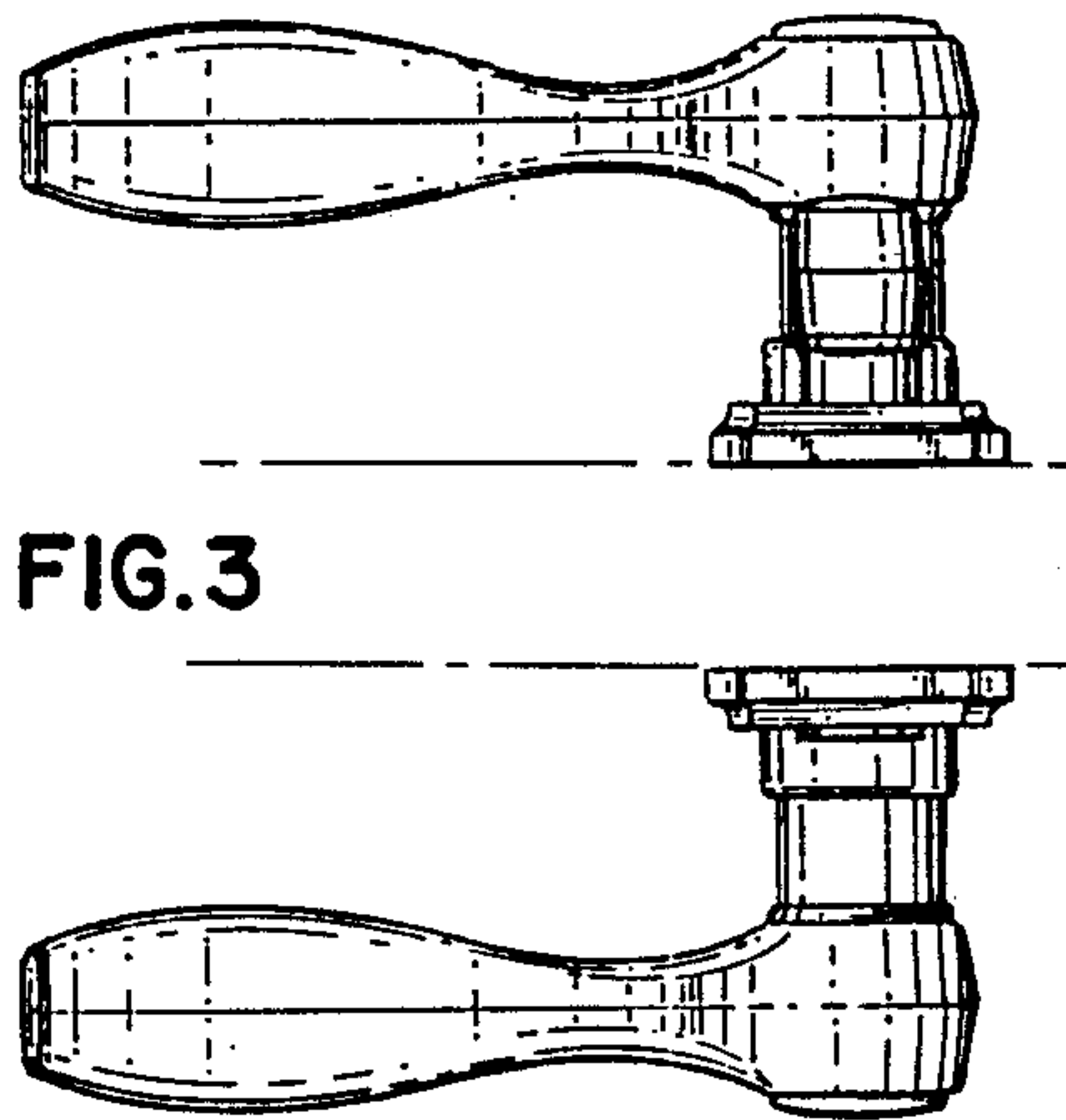


FIG. 3

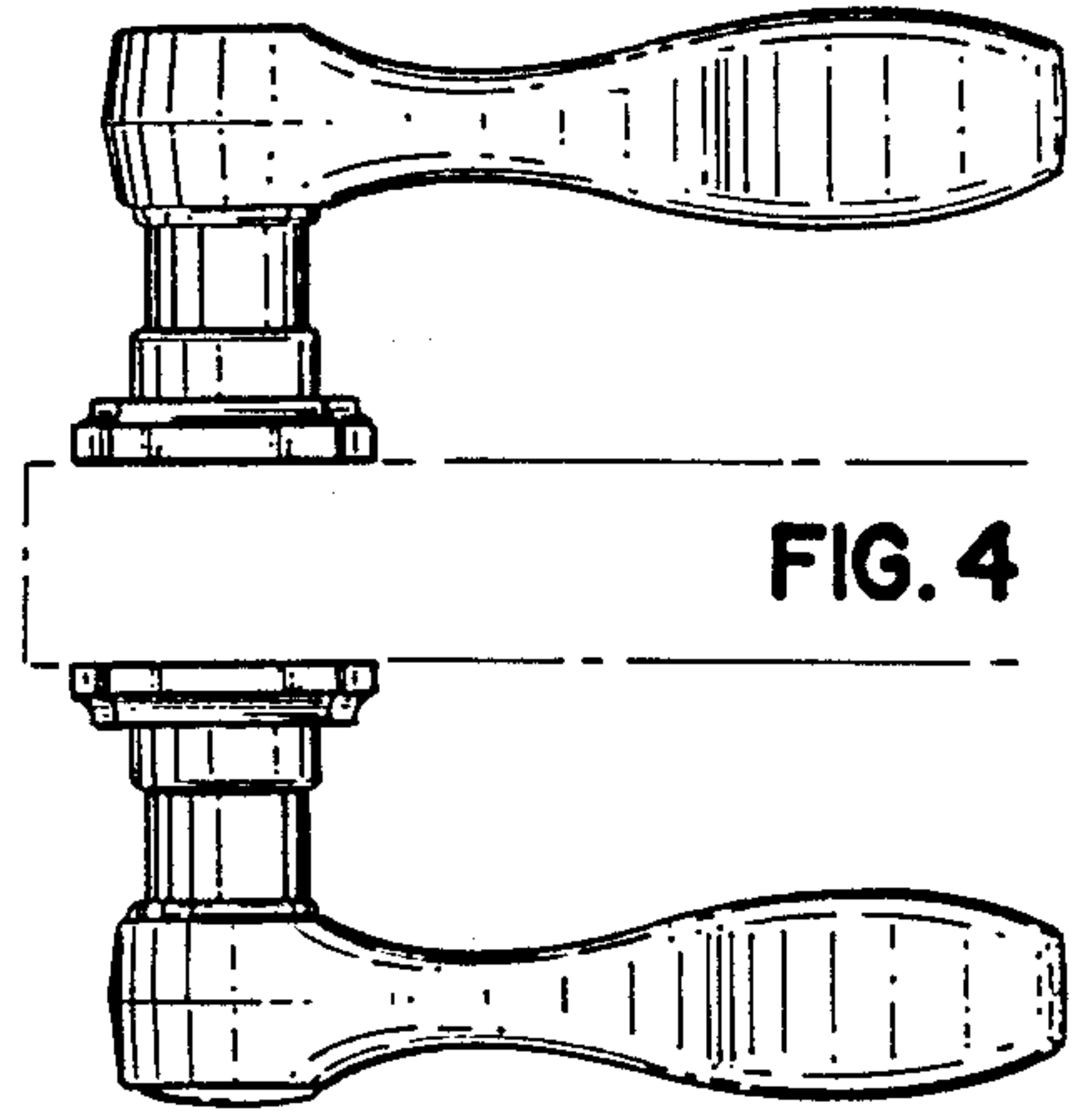


FIG. 4

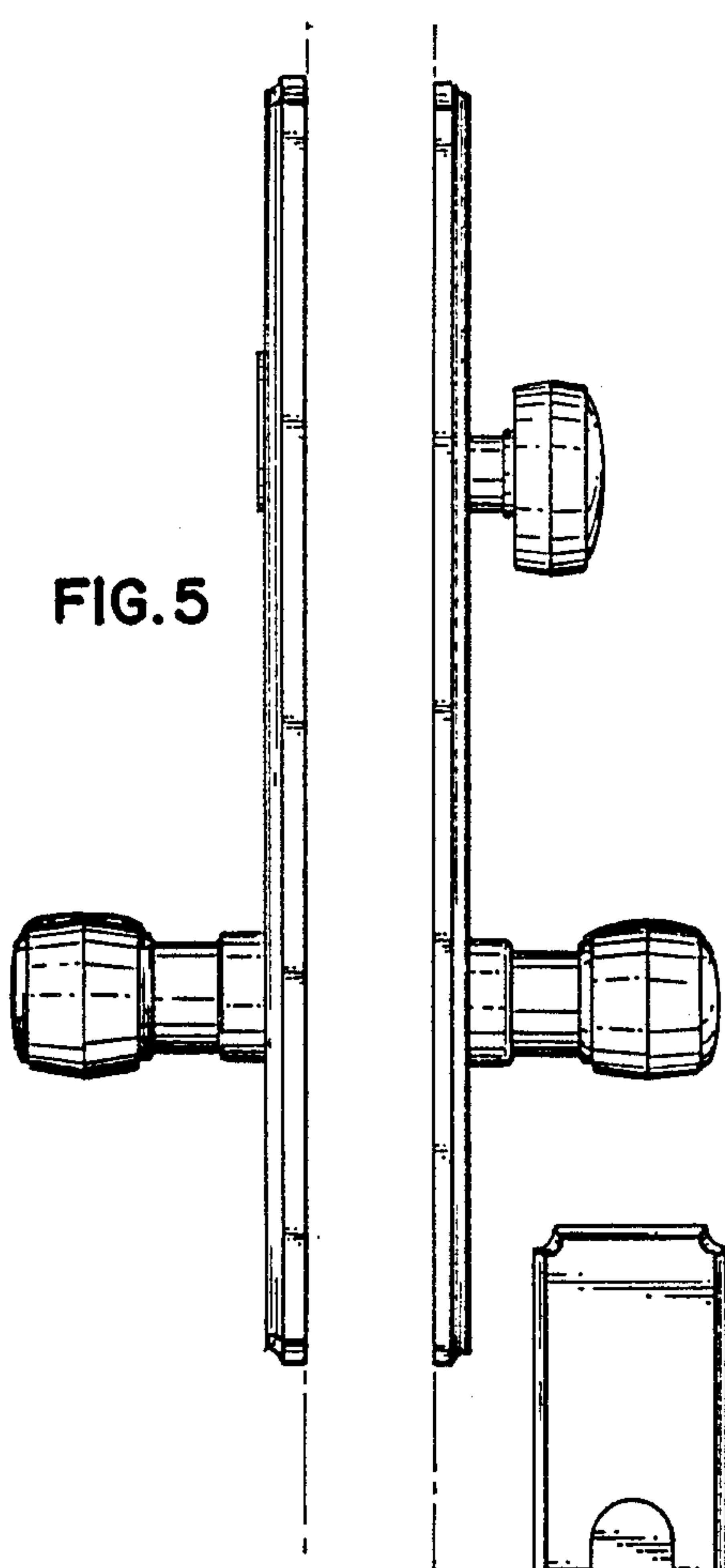


FIG. 5

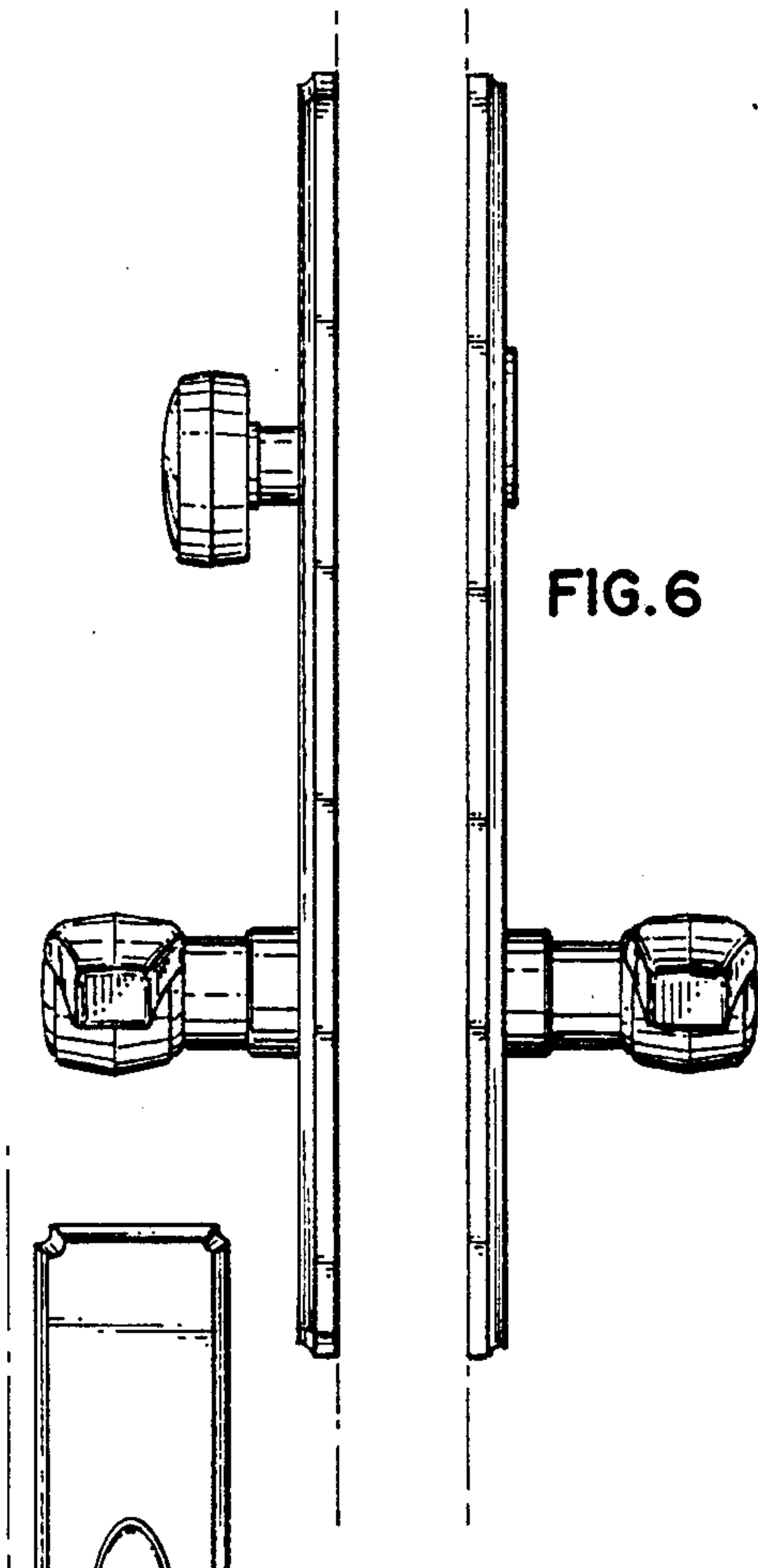


FIG. 6

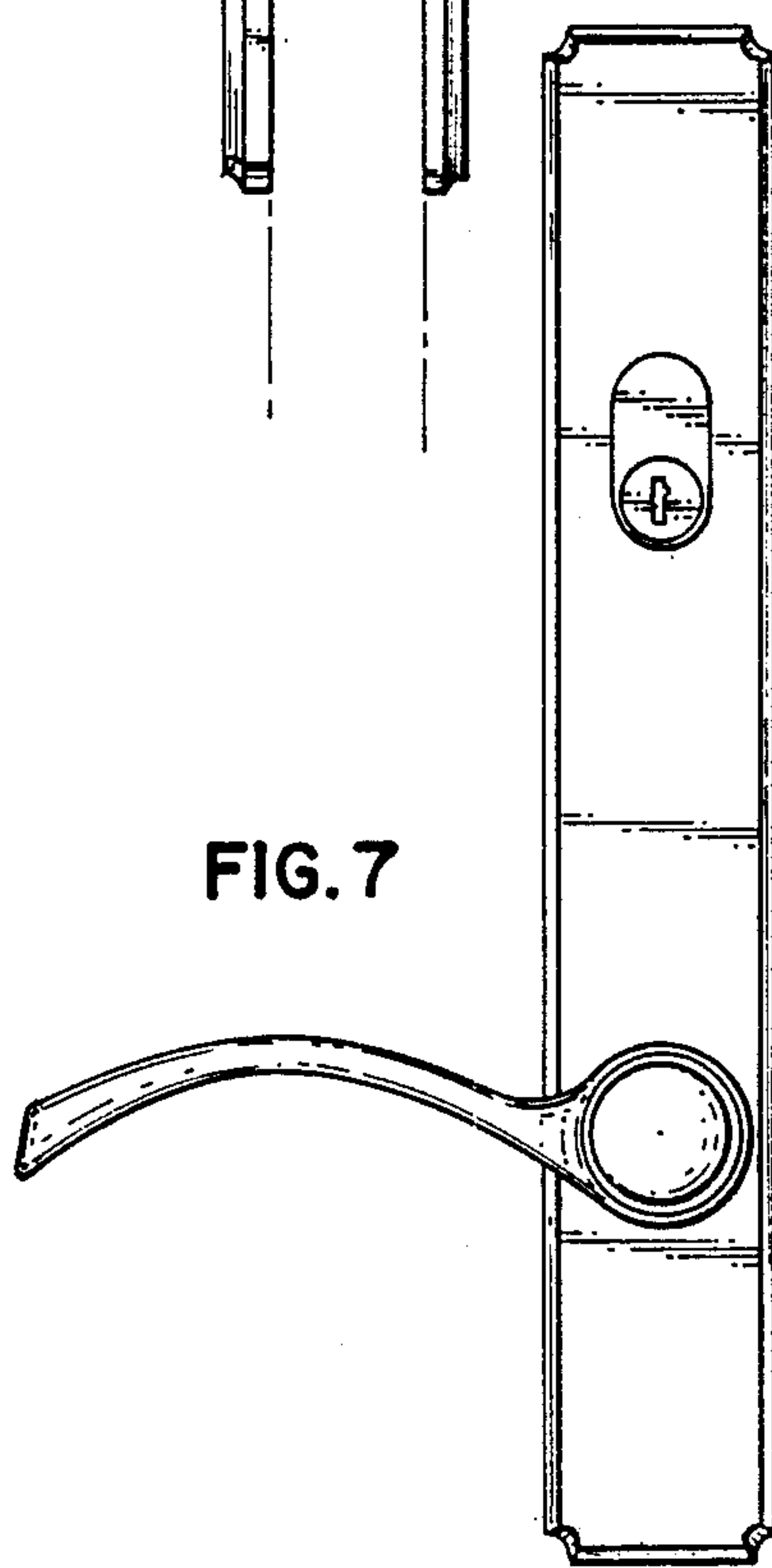


FIG. 7

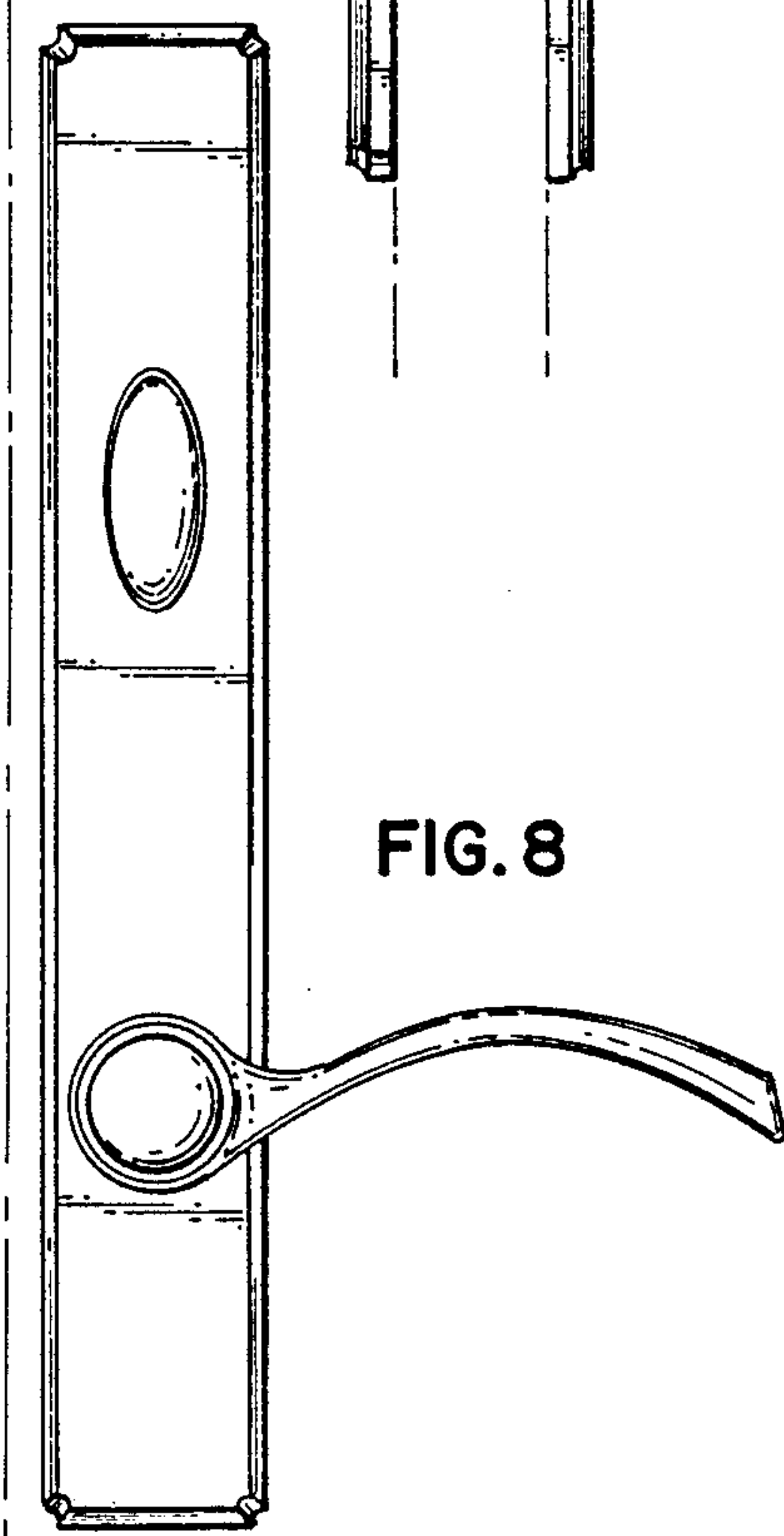


FIG. 8