

[54] **WOOD GADGET ORGANIZER**  
 [75] Inventors: **Jane Ancona; Bruce Ancona**, both of New York, N.Y.  
 [73] Assignee: **M. Kamenstein, Inc.**, White Plains, N.Y.  
 [\*\*] Term: **14 Years**  
 [21] Appl. No.: **494,511**  
 [22] Filed: **Mar. 16, 1990**  
 [52] U.S. Cl. .... **D7/641**  
 [58] Field of Search ..... **D7/637-641;**  
 211/70.6, 70.7, 71, 78; D19/65, 75, 77, 81, 84

D. 273,262 4/1984 Wolff .  
 D. 276,019 10/1984 Koustis .  
 D. 277,709 2/1985 DiSesa ..... D7/640  
 D. 279,950 8/1985 Wan .  
 D. 299,402 1/1989 Ancona et al. .  
 D. 303,899 10/1989 Ancona et al. .  
 435,023 8/1890 Robinson .  
 1,052,590 2/1913 Johnson .  
 1,346,909 7/1920 Onufryk .  
 3,298,532 1/1967 Wilcke .  
 4,305,511 12/1981 Denholtz .  
 4,318,478 3/1982 DeWinter .  
 4,534,474 8/1985 Ng .

*Primary Examiner*—Bernard Ansher  
*Assistant Examiner*—Terry A. Pfeffer  
*Attorney, Agent, or Firm*—Henry R. Lerner

[56] **References Cited**

**U.S. PATENT DOCUMENTS**

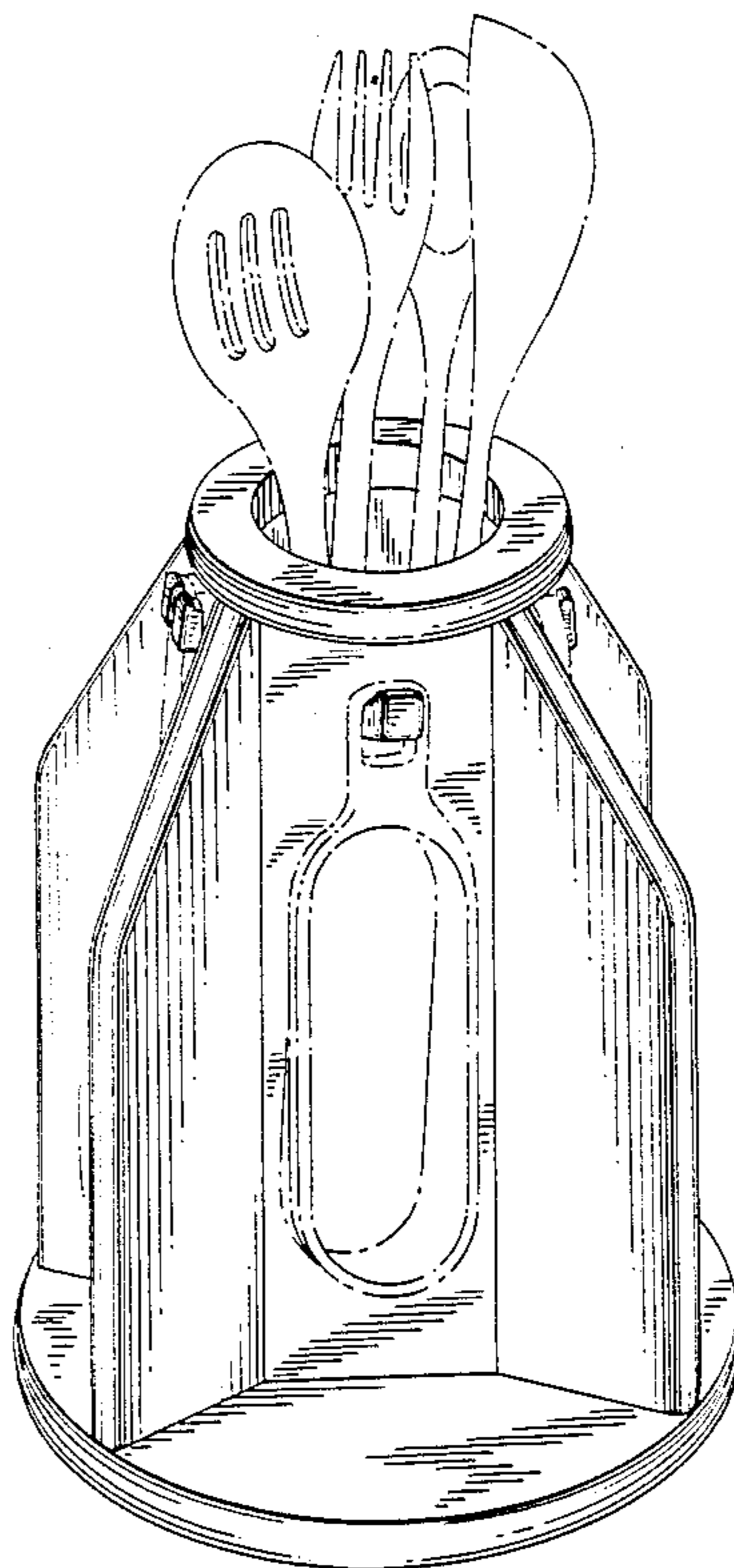
D. 25,319 3/1896 Young .  
 D. 55,639 7/1920 Onufryk .  
 D. 60,083 12/1921 Burns .  
 D. 115,303 6/1939 Urbanek .  
 D. 169,433 4/1953 Goldman .  
 D. 176,004 11/1955 Brooks et al. .  
 D. 187,709 4/1960 Latham .  
 D. 188,064 5/1960 Hvale et al. .  
 D. 196,989 11/1963 Page .  
 228,998 6/1980 Johnston .  
 D. 248,007 5/1978 Mackey .  
 D. 263,528 3/1982 Gunnigle .  
 D. 264,672 6/1982 Griffin .  
 D. 269,573 7/1983 Sikora .

[57] **CLAIM**

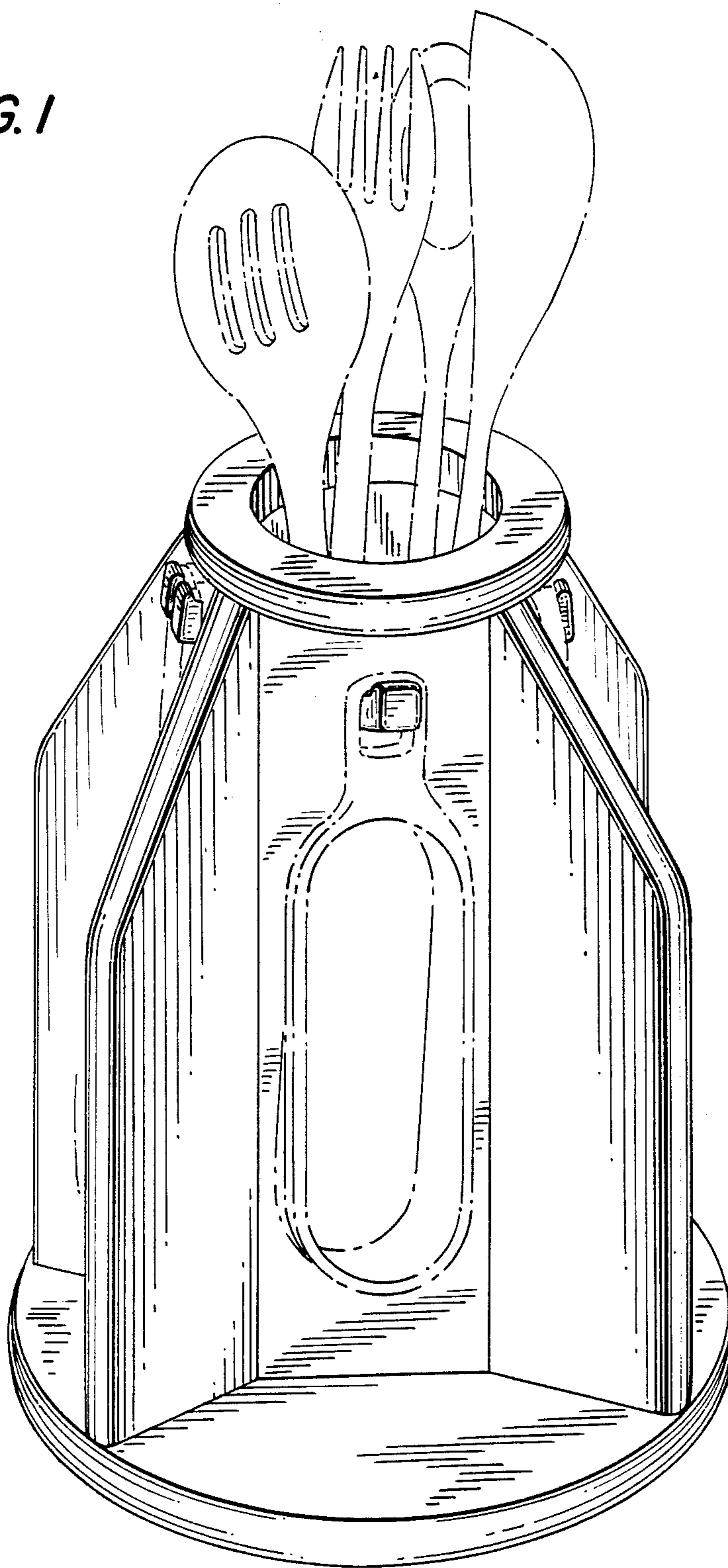
The ornamental design for a wood gadget organizer, as shown and described.

**DESCRIPTION**

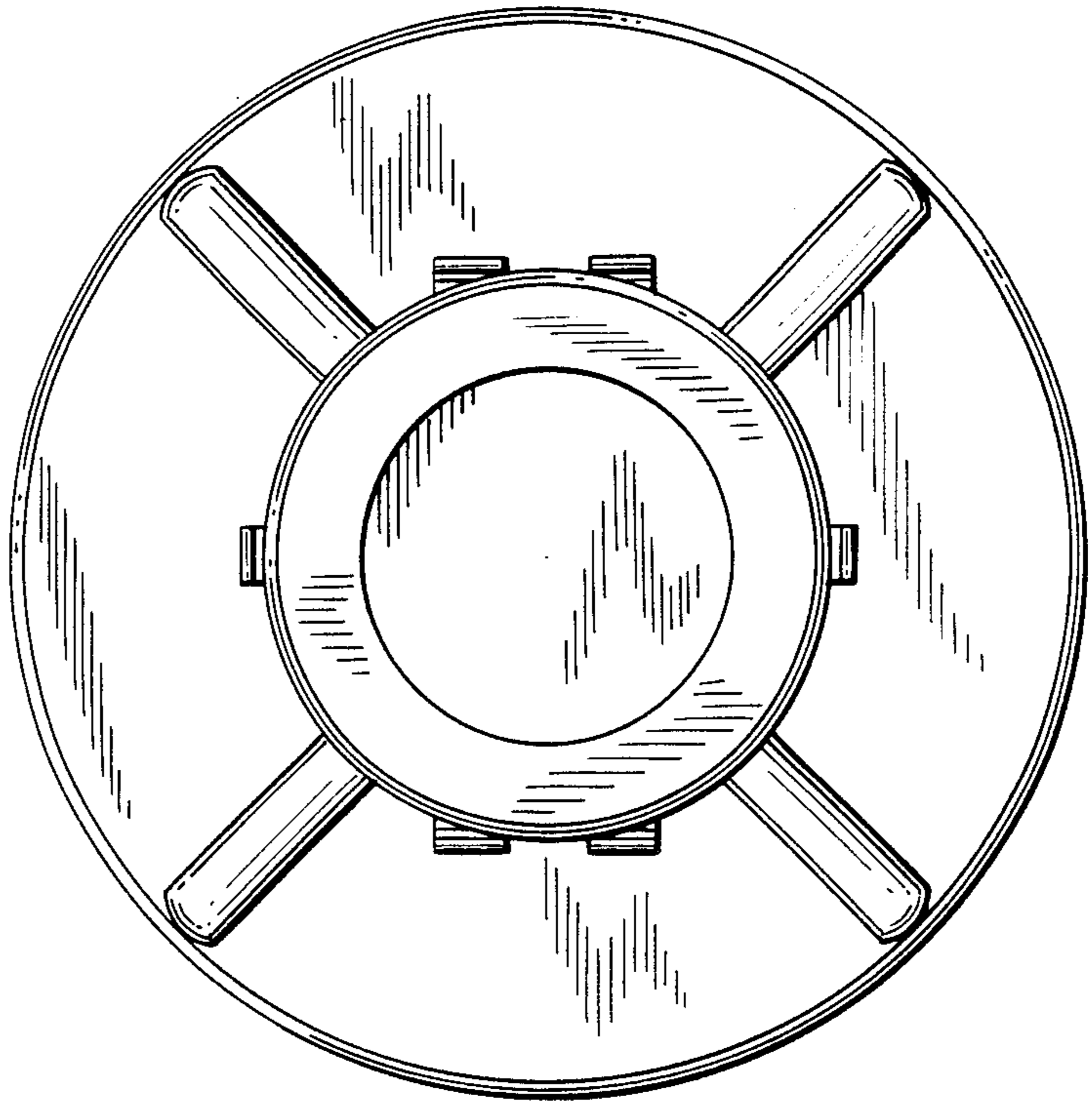
FIG. 1 is a perspective view of a wood gadget organizer showing our new design, the utensils shown in the broken lines are for illustration purposes only;  
 FIG. 2 is a top plan view thereof;  
 FIG. 3 is a bottom plan view thereof;  
 FIG. 4 is a side elevational view thereof, the opposite side being a mirror image;  
 FIG. 5 is a front elevational view thereof, the opposite side being a mirror image;



*FIG. 1*



*FIG. 2*



*FIG. 3*

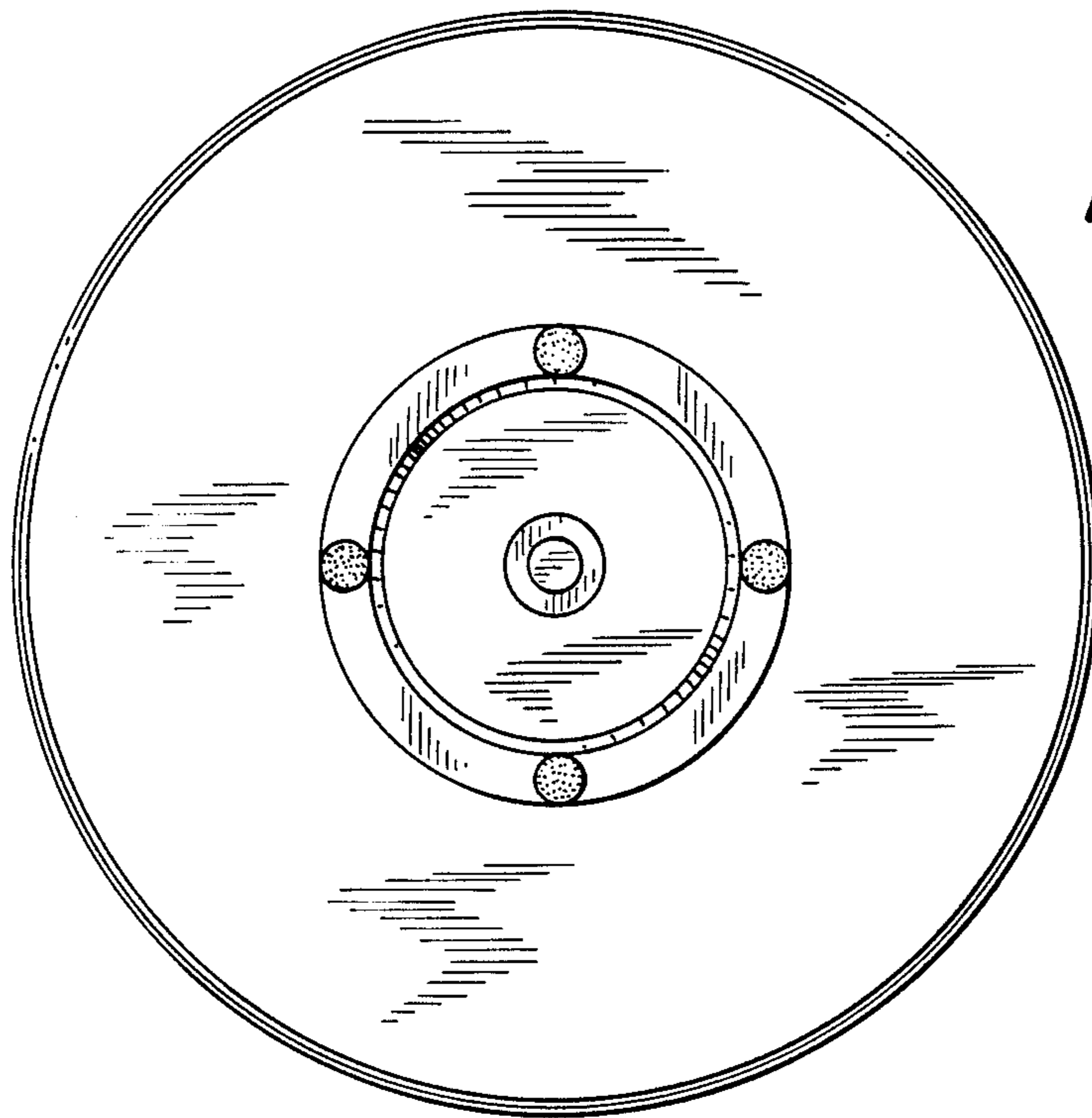


FIG. 5

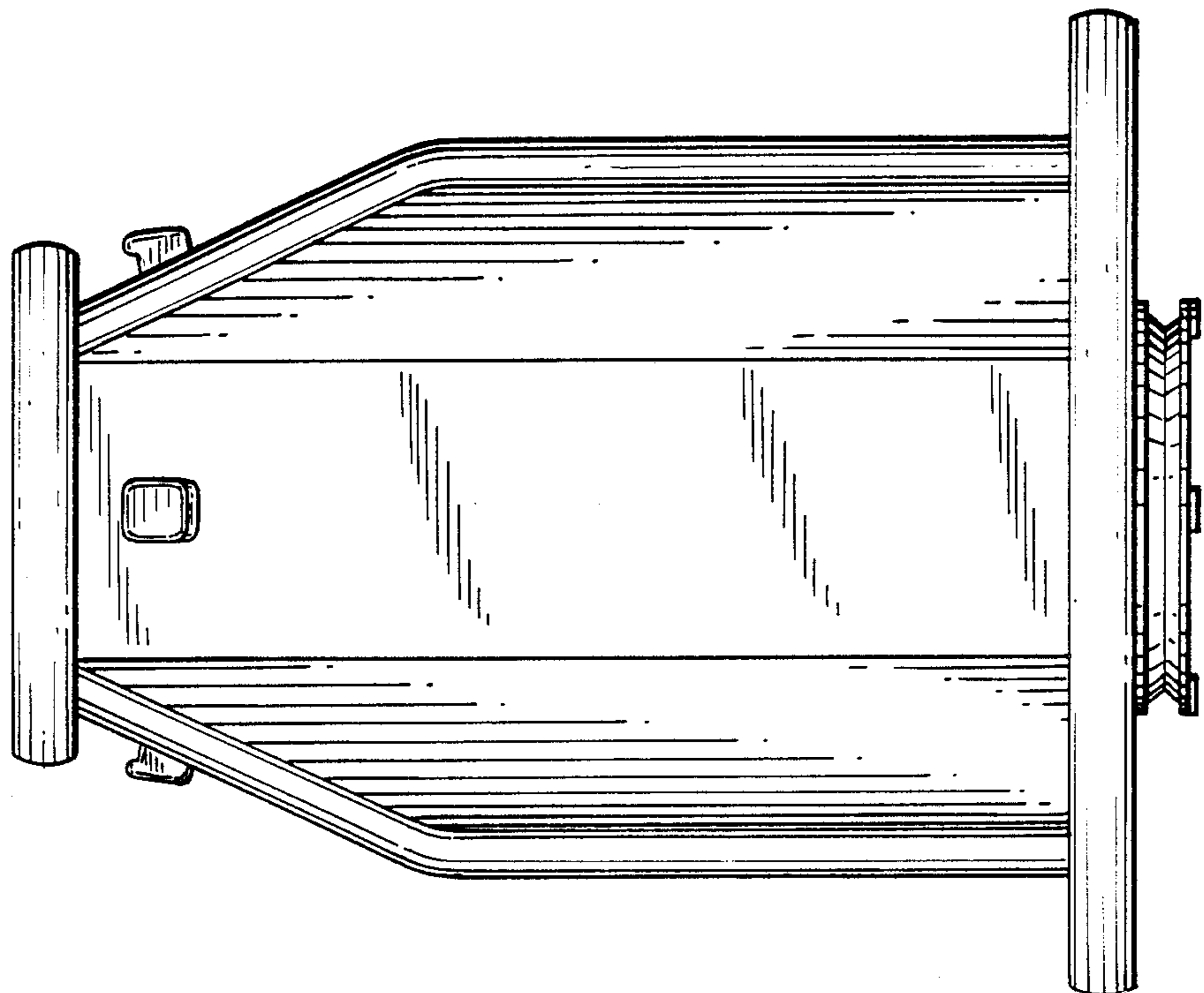


FIG. 4

