

[54] MUG TREE

[75] Inventors: Jane Ancona; Bruce Ancona, both of New York, N.Y.

[73] Assignee: M. Kamenstein, Inc., White Plains, N.Y.

[**] Term: 14 Years

[21] Appl. No.: 446,172

[22] Filed: Dec. 5, 1989

[52] U.S. Cl. D7/616; D6/415; D6/467

[58] Field of Search D7/616; D6/455, 458, D6/459, 467, 413, 415; 211/71, 78

[56] References Cited

U.S. PATENT DOCUMENTS

D. 189,724 2/1961 Herrick, Sr. D7/616 X

D. 238,405 1/1976 Athey D6/415
750,803 2/1904 Burnside et al. .

Primary Examiner—Bernard Ansher
Assistant Examiner—Terry A. Pfeffer
Attorney, Agent, or Firm—Henry R. Lerner

[57] CLAIM

The ornamental design for a mug tree, as shown and described.

DESCRIPTION

FIG. 1 is an elevational perspective view of a mug tree showing our new design, the mug and creamer shown in the broken lines are for illustration purposes only; FIG. 2 is a left side elevational view thereof; FIG. 3 is a top plan view thereof; FIG. 4 is a front elevational view thereof; FIG. 5 is a right side elevational view thereof; FIG. 6 is a rear elevation view thereof; and FIG. 7 is a bottom plan view thereof.

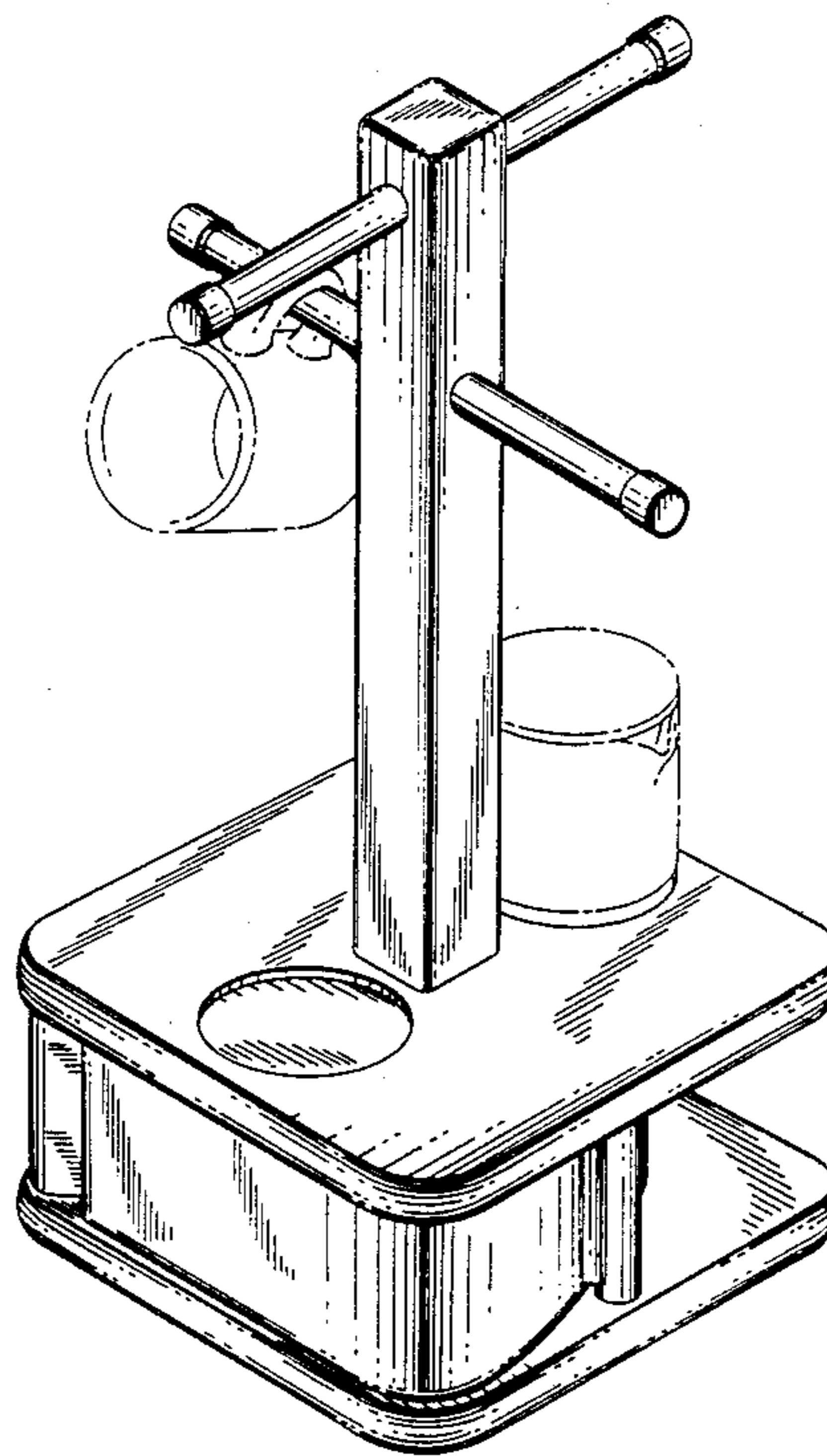
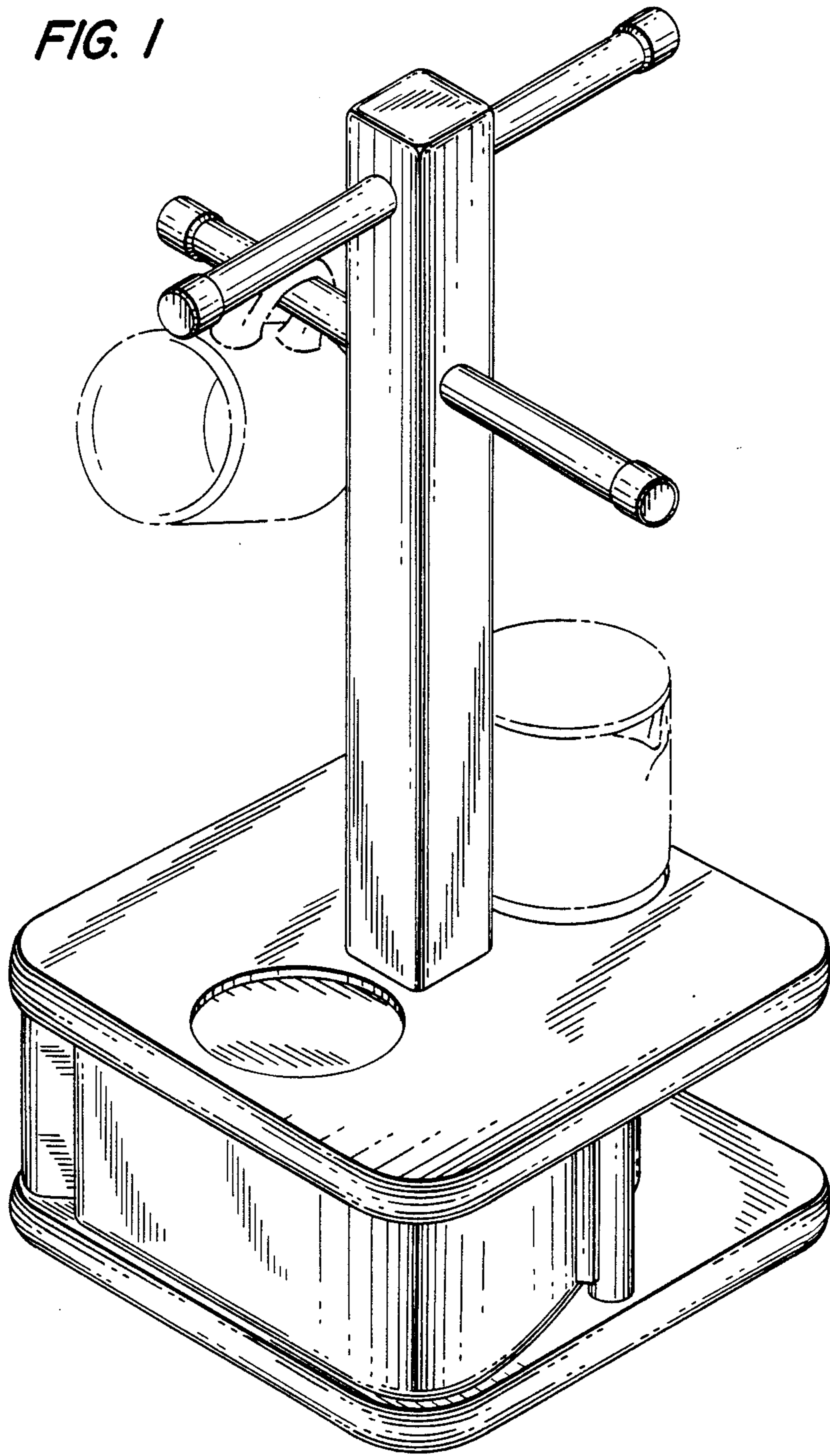


FIG. 1



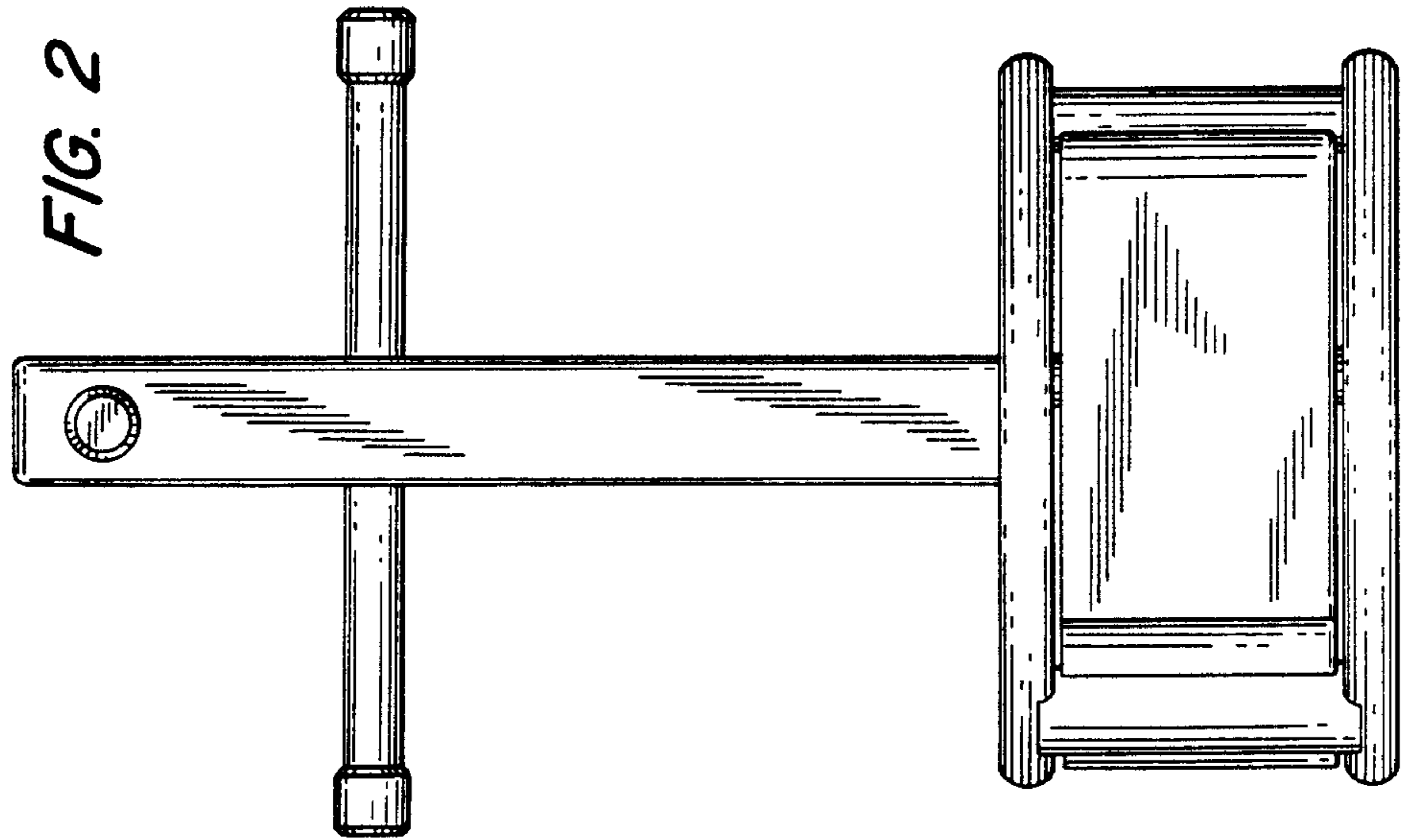
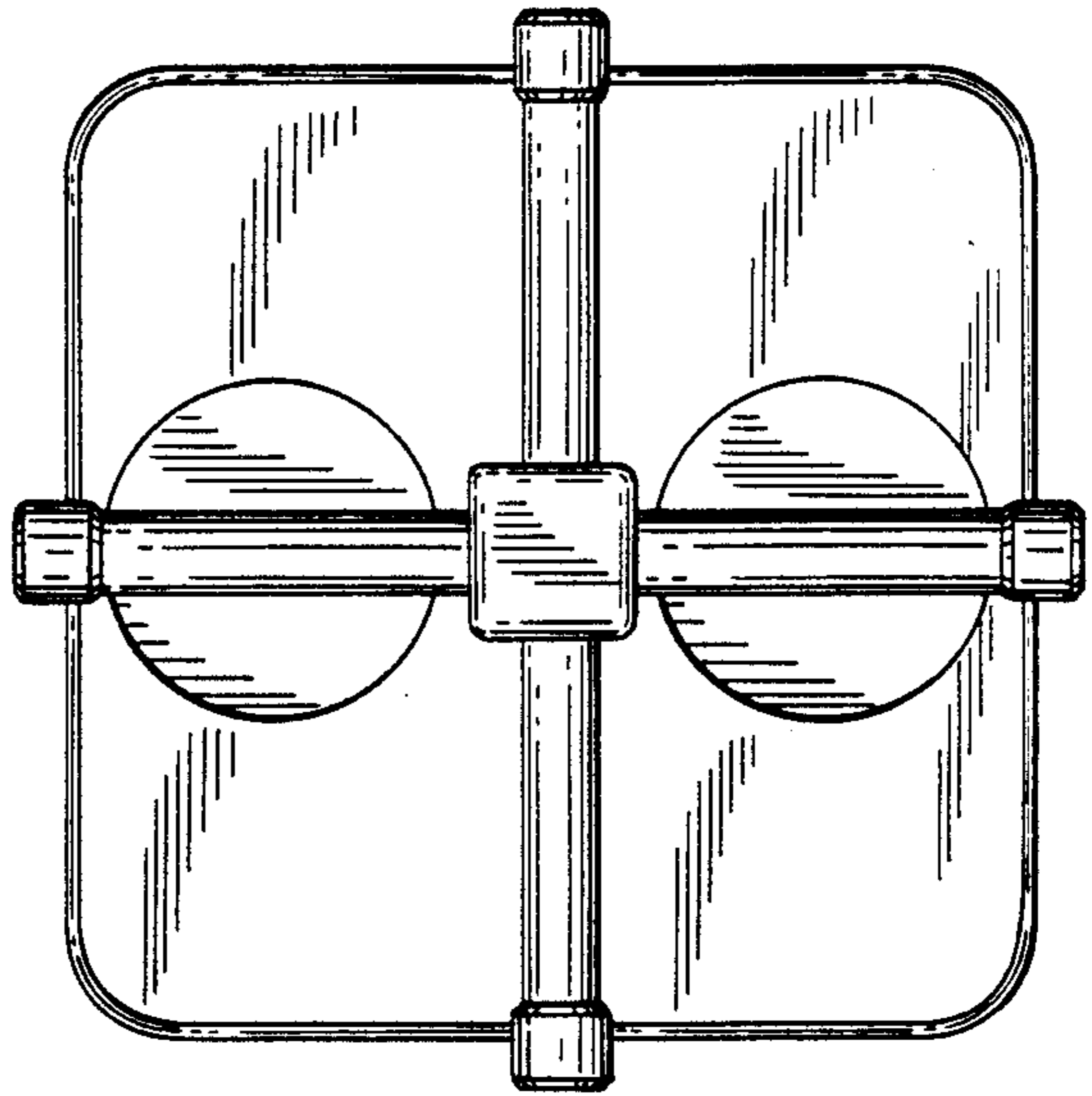


FIG. 3



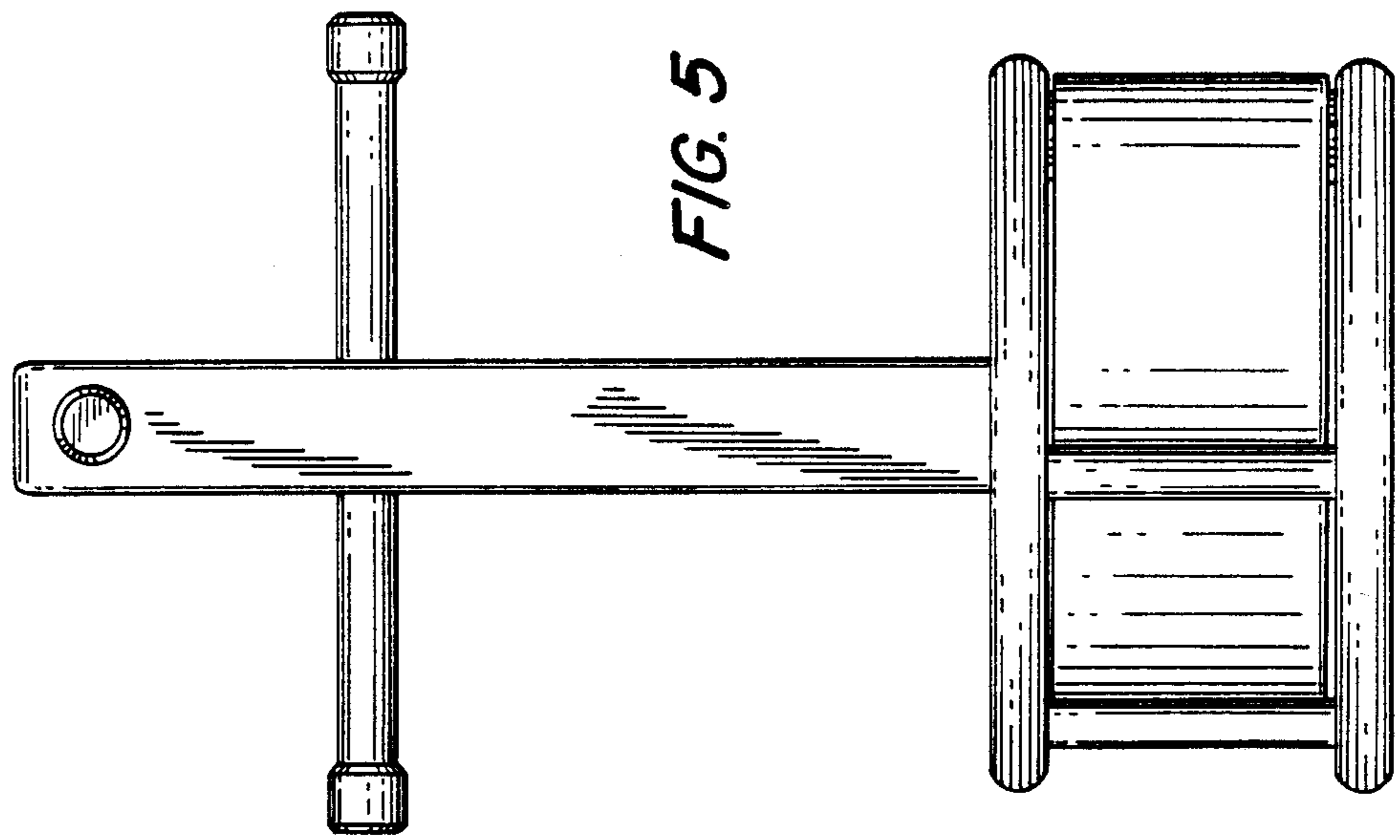


FIG. 5

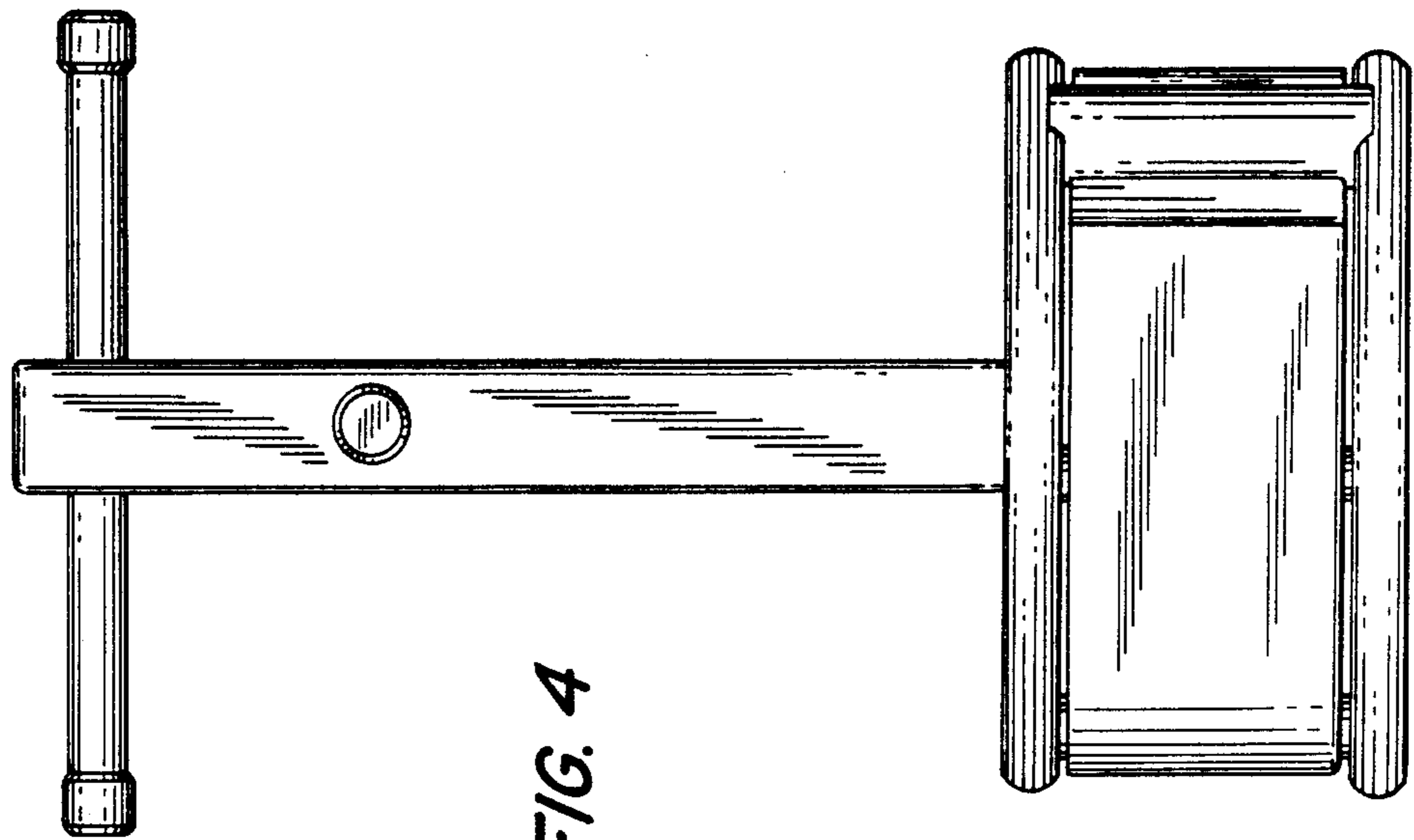


FIG. 4

FIG. 6

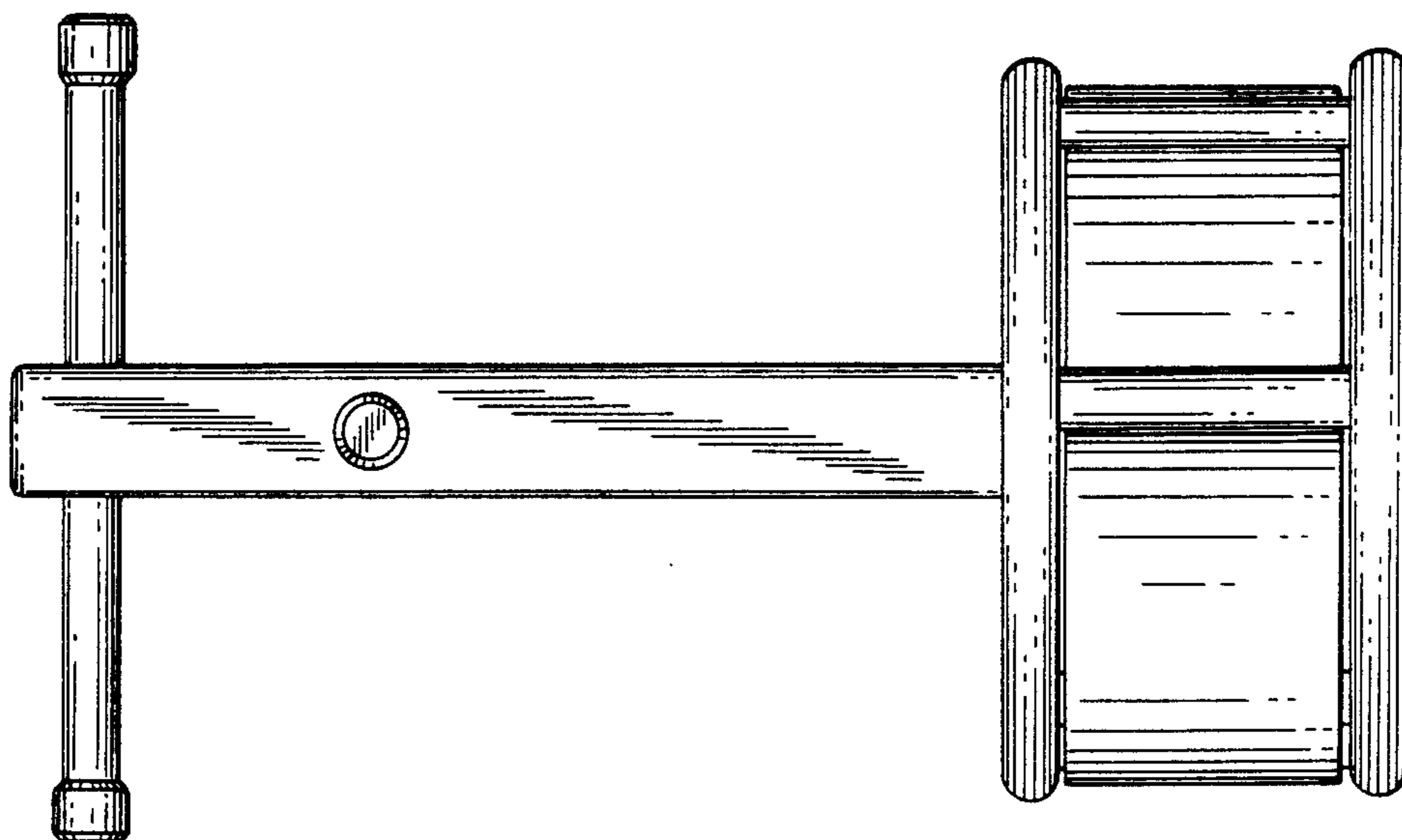


FIG. 7

