

United States Patent [19]

Daenen et al.

[11] Patent Number: **Des. 312,555**

[45] Date of Patent: **** Dec. 4, 1990**

[54] **COVERED BOWL OR THE LIKE**

[75] Inventors: **Robert H. C. M. Daenen,**
Erembodegem; Pieter K. J.
DeCoster, Aalst, both of Belgium

[73] Assignee: **Dart Industries, Inc., Deerfield, Ill.**

[**] Term: **14 Years**

[21] Appl. No.: **152,598**

[22] Filed: **Feb. 2, 1988**

[52] U.S. Cl. **D7/540**

[58] Field of Search **D7/500, 502, 505, 538-542,**
D7/586, 584, 582, 612; D9/428, 424, 425

[56] **References Cited**

U.S. PATENT DOCUMENTS

D. 163,849	7/1951	Burroughs	D7/319
D. 184,760	3/1959	Ostrowsky	D7/538
D. 215,749	10/1969	Adler	D7/317
D. 216,829	3/1970	Colato	D7/536
D. 244,246	5/1977	Daenen	D7/540

D. 255,080	5/1980	Gobleck, Jr.	D7/505
D. 255,531	6/1980	Daenen et al.	D10/46.2
D. 255,858	7/1980	Ashton	D7/533
D. 259,011	4/1981	Daenen	D7/316
D. 267,071	11/1982	Carlson	D7/612
D. 278,674	5/1985	Tardif et al.	D7/629
D. 290,324	6/1987	Ritman	D7/536
2,412,325	12/1946	Devine et al.	D7/540 X

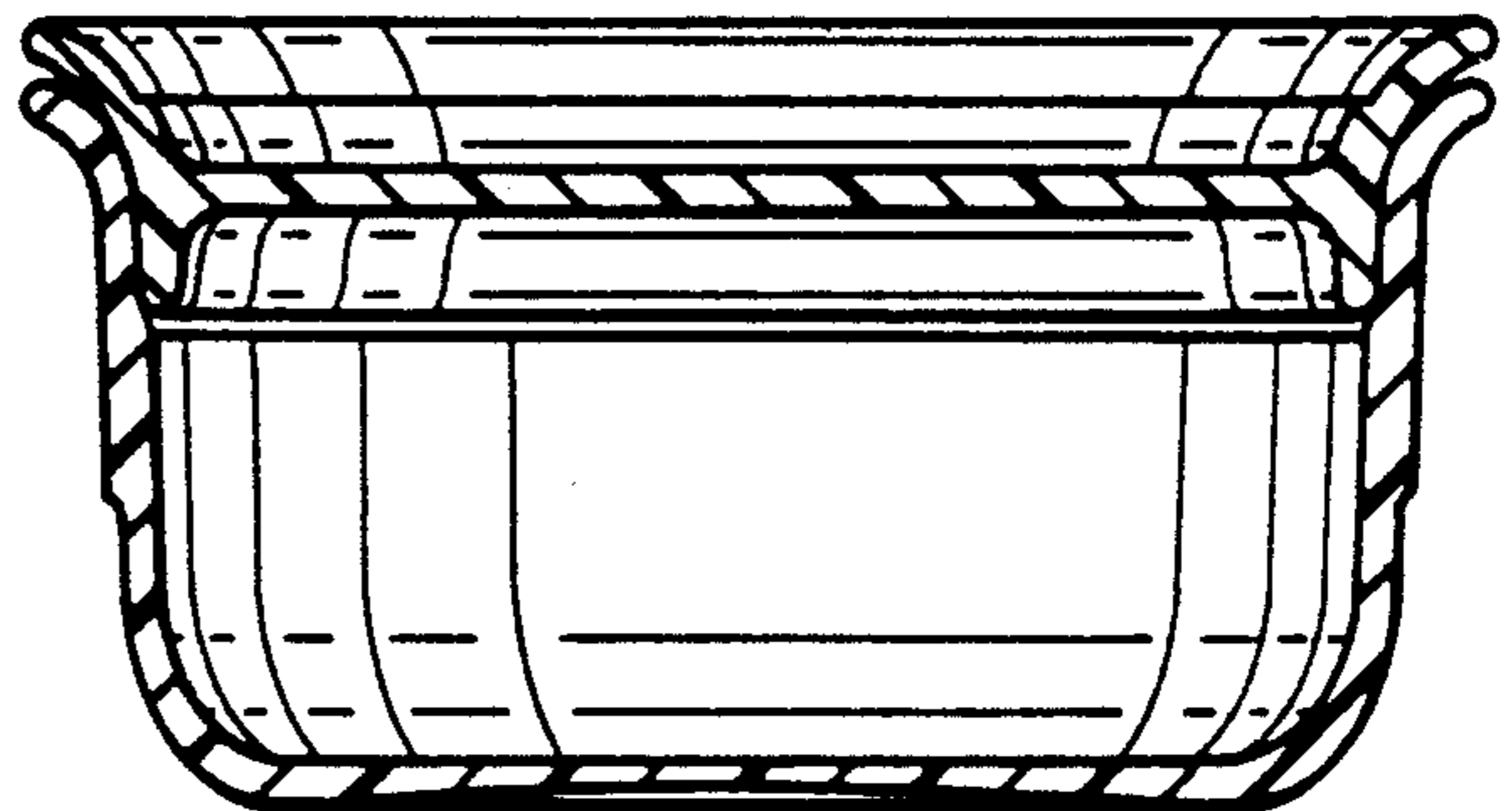
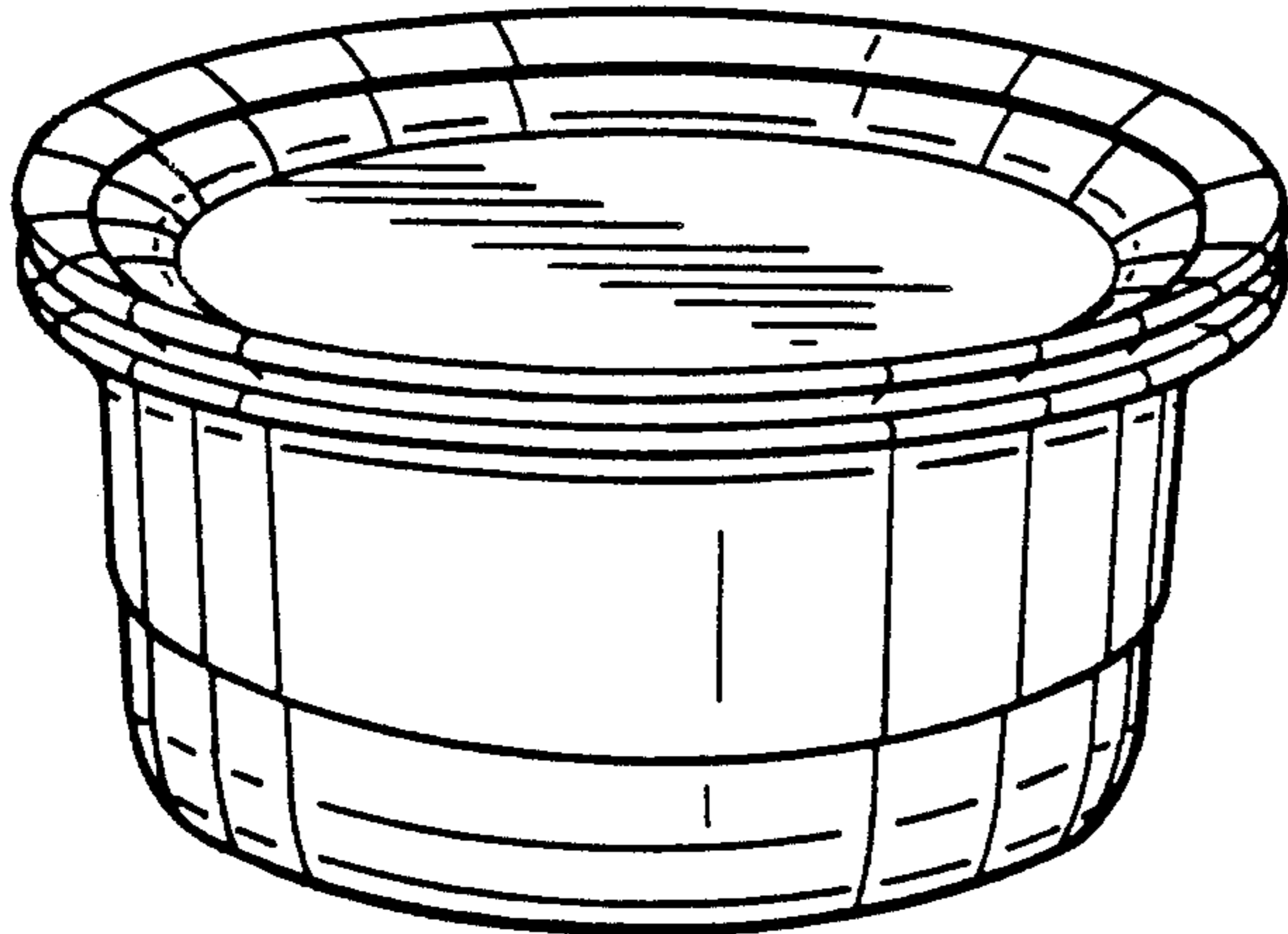
Primary Examiner—Winifred E. Herrmann
Attorney, Agent, or Firm—John A. Doninger

[57] **CLAIM**

The ornamental design for a covered bowl or the like, as shown.

DESCRIPTION

FIG. 1 is a top perspective view of a covered bowl or the like showing our new design;
FIG. 2 is a side elevational view thereof;
FIG. 3 is a top plan view thereof;
FIG. 4 is a bottom plan view thereof; and
FIG. 5 is a cross-sectional view taken along line 5—5 of FIG. 3.



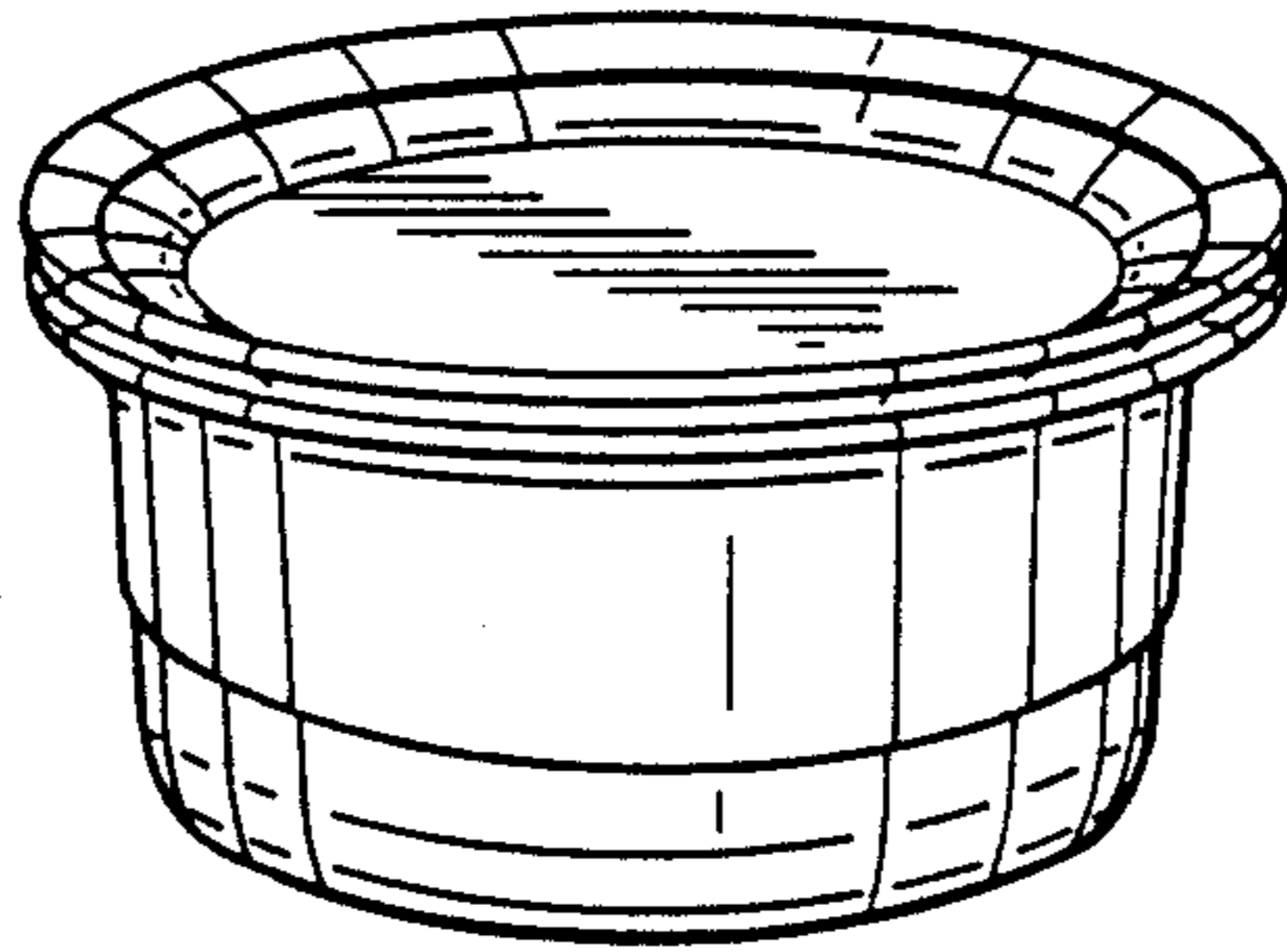


FIG. 1

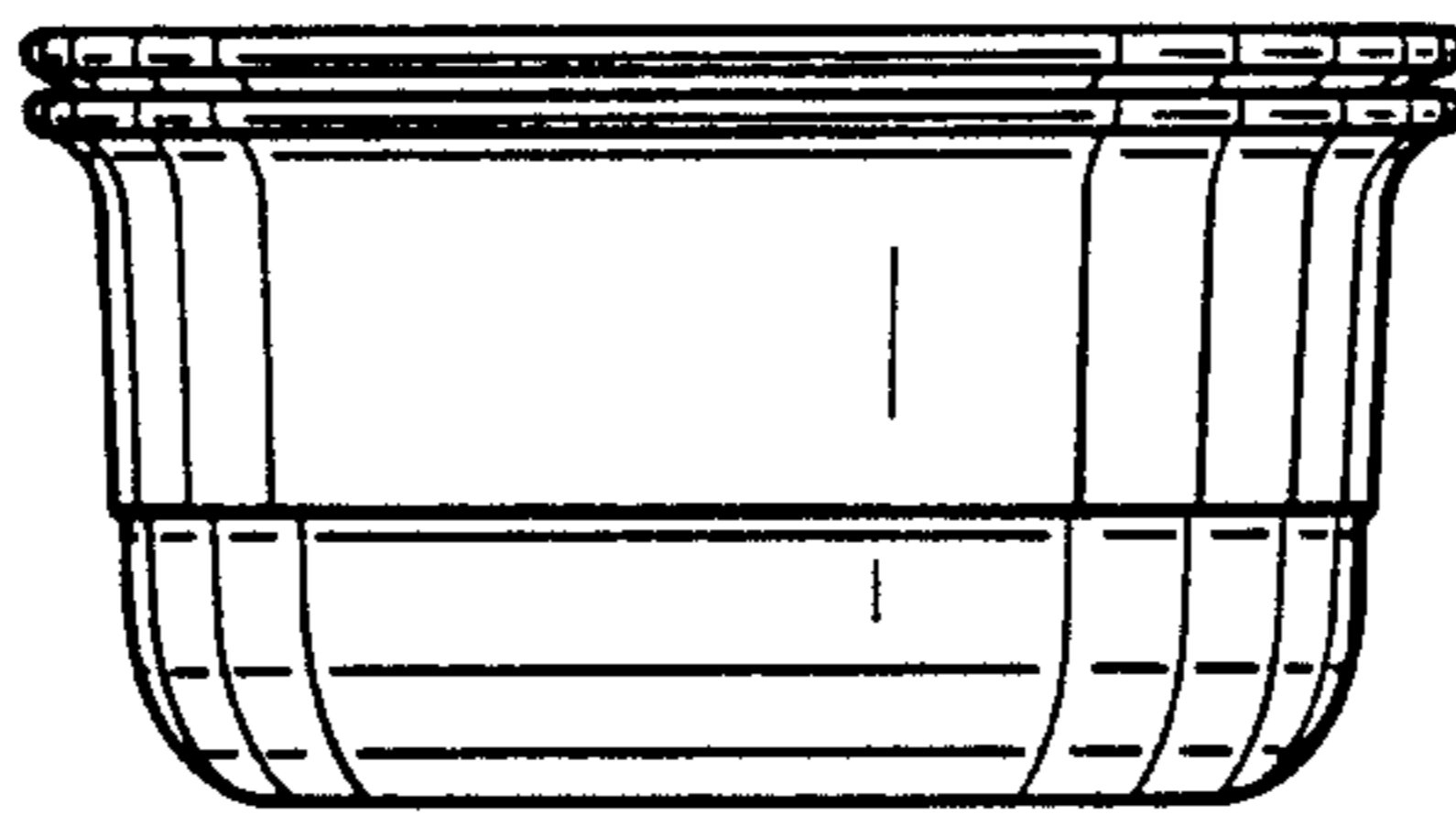


FIG. 2

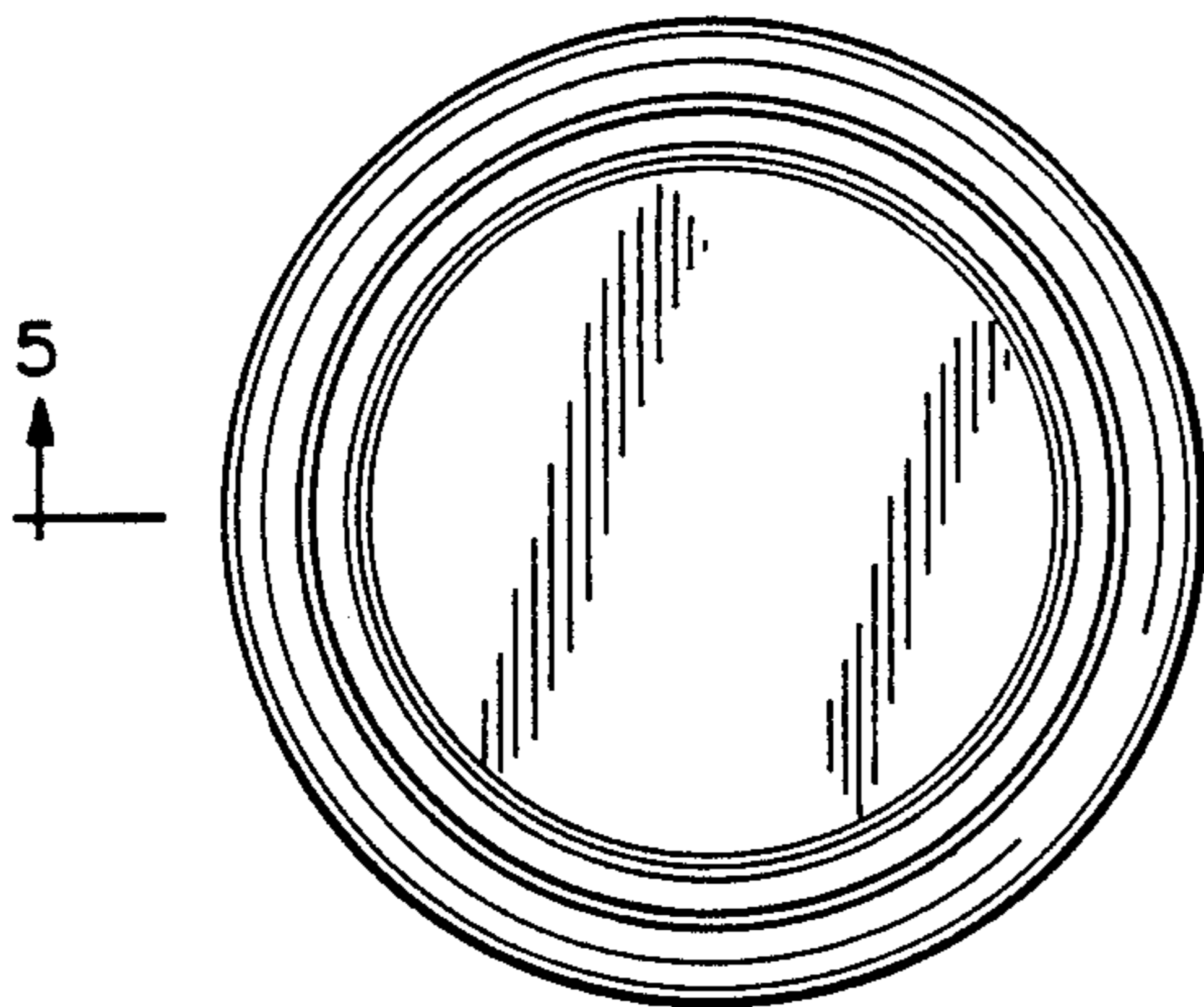


FIG. 3

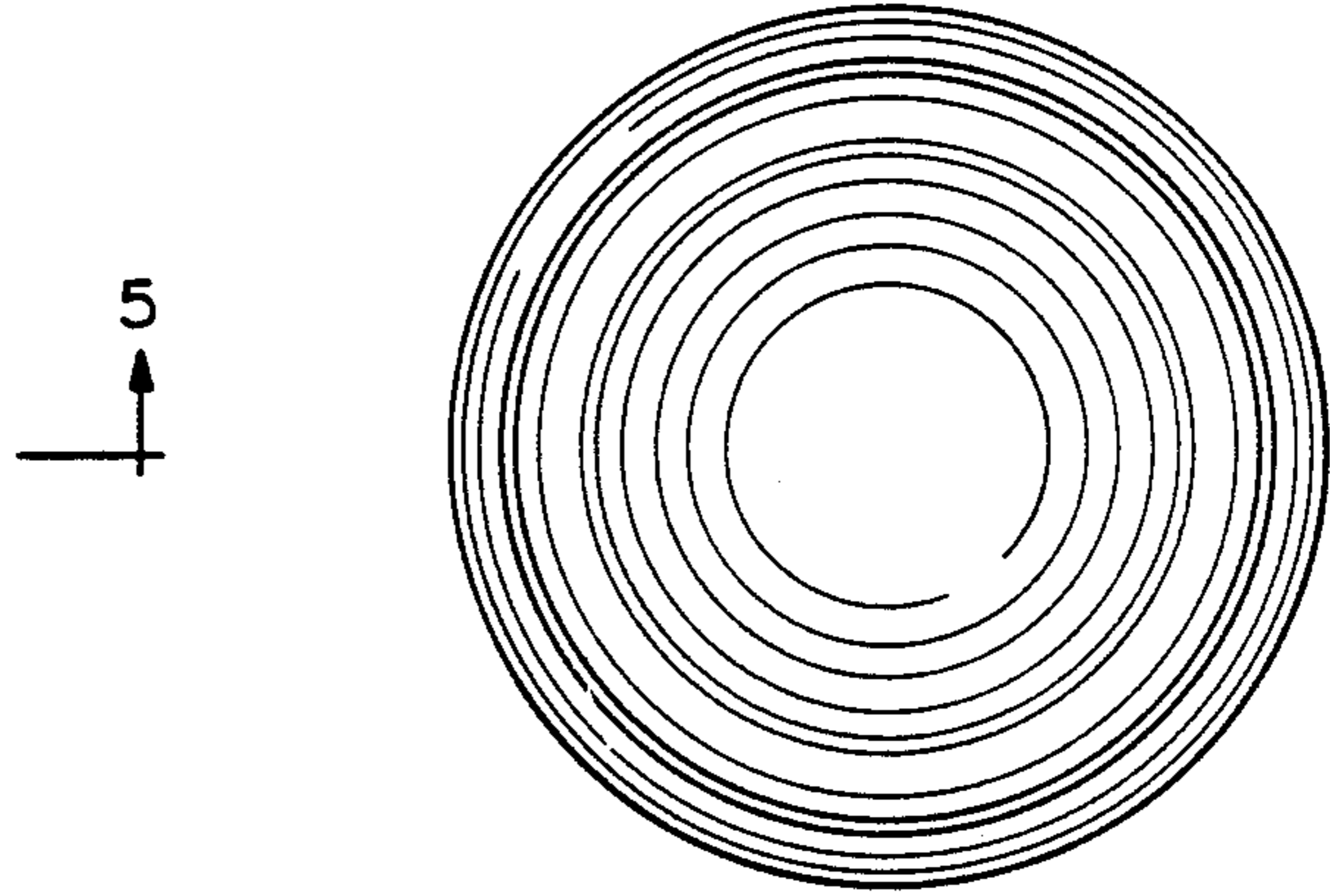


FIG. 4

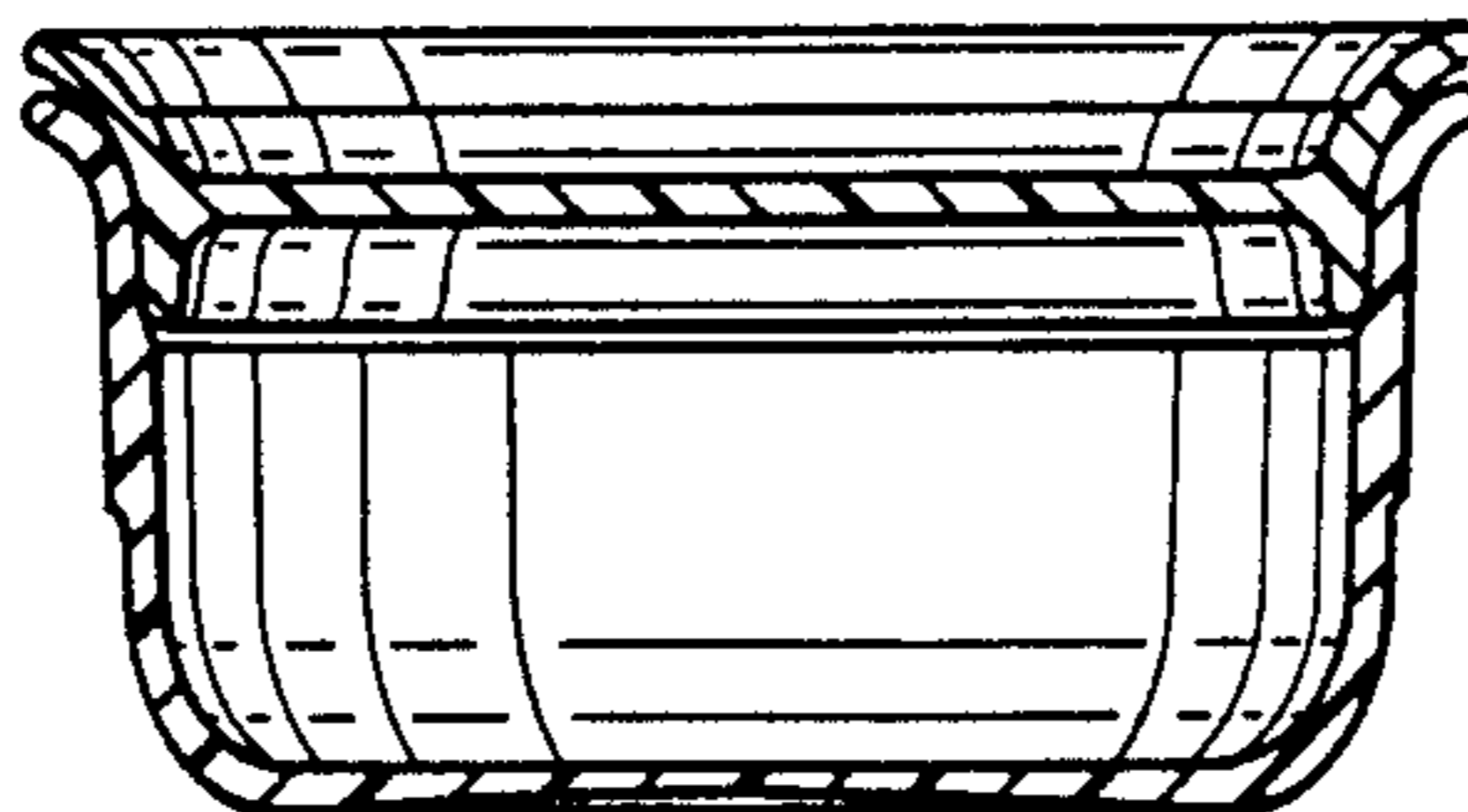


FIG. 5