

[54] **DESK**
[75] **Inventor: David Wright, Droitwich, England**
[73] **Assignee: Remisystem (UK) Ltd.,
Worcestershire, England**
[**] **Term: 14 Years**
[21] **Appl. No.: 14,495**
[22] **Filed: Feb. 13, 1987**

[30] **Foreign Application Priority Data**
Aug. 14, 1986 [ZA] South Africa 860679
[52] **U.S. Cl. D6/484; D6/422;
D6/428**
[58] **Field of Search D6/420, 421, 422, 423,
D6/424, 425, 426, 427, 428, 480, 484; 132/194,
195, 196; 108/59, 60**

[56] **References Cited**
U.S. PATENT DOCUMENTS
D. 202,197 9/1965 Beckman D6/425

D. 281,297 11/1985 Esslinger D6/423 X
D. 295,474 5/1988 Uredat-Neuhoff D2/422 X

OTHER PUBLICATIONS

Interiors, Dec. 1972, p. 22; "Linder Desk", left center on page.

Primary Examiner—Carmen H. Vales-Lado
Attorney, Agent, or Firm—Seidel, Gonda, Lavorgna & Monaco

[57] **CLAIM**

The ornamental design for a desk, as shown and described.

DESCRIPTION

FIG. 1 is a perspective view of a desk showing my new design;
FIG. 2 is a rear elevational view thereof;
FIG. 3 is a top plan view thereof;
FIG. 4 is a front elevational view thereof;
FIG. 5 is a right side elevational view, the left side elevational view being a mirror image thereof; and
FIG. 6 is a bottom plan view thereof.

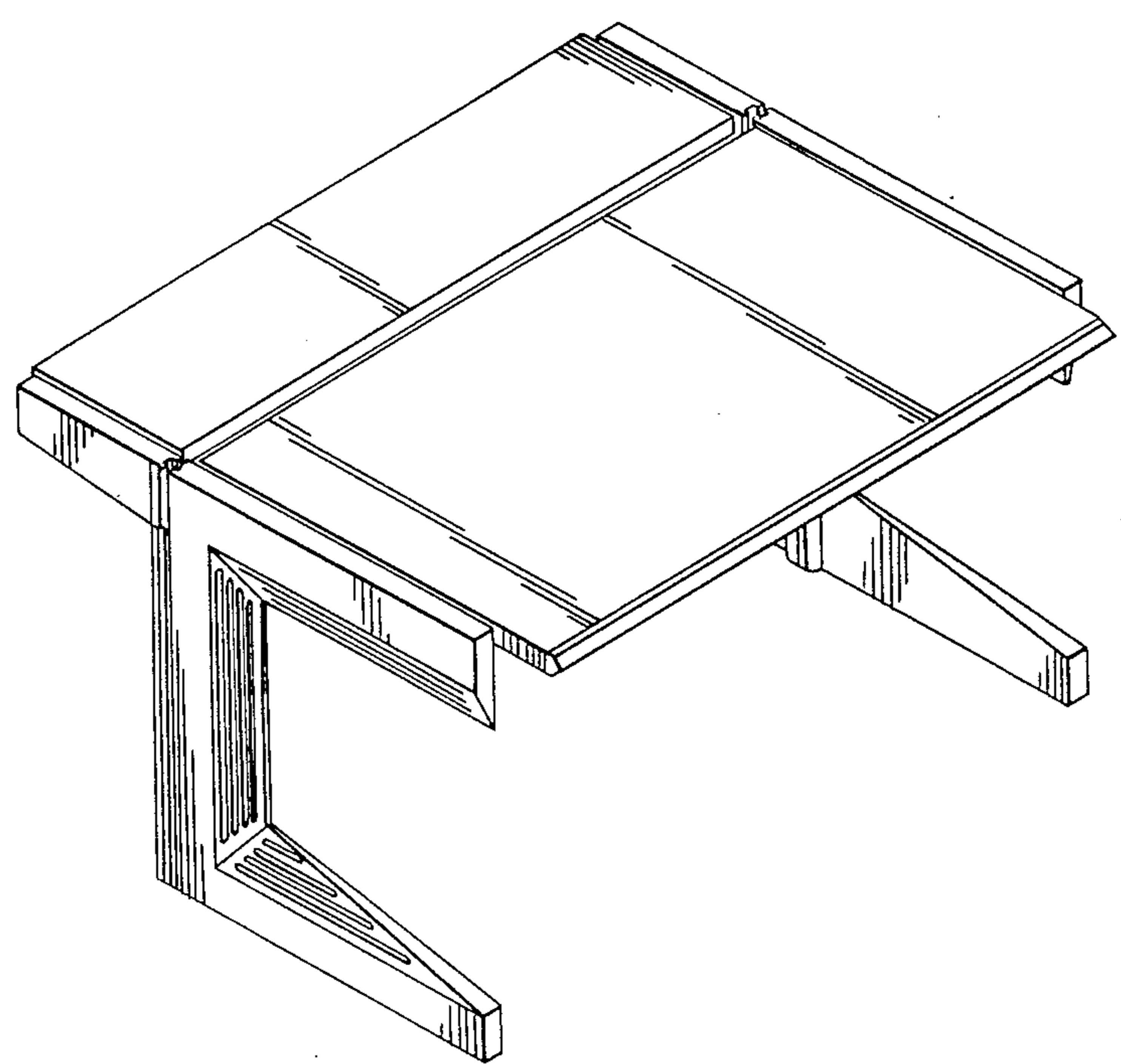


FIG. 1

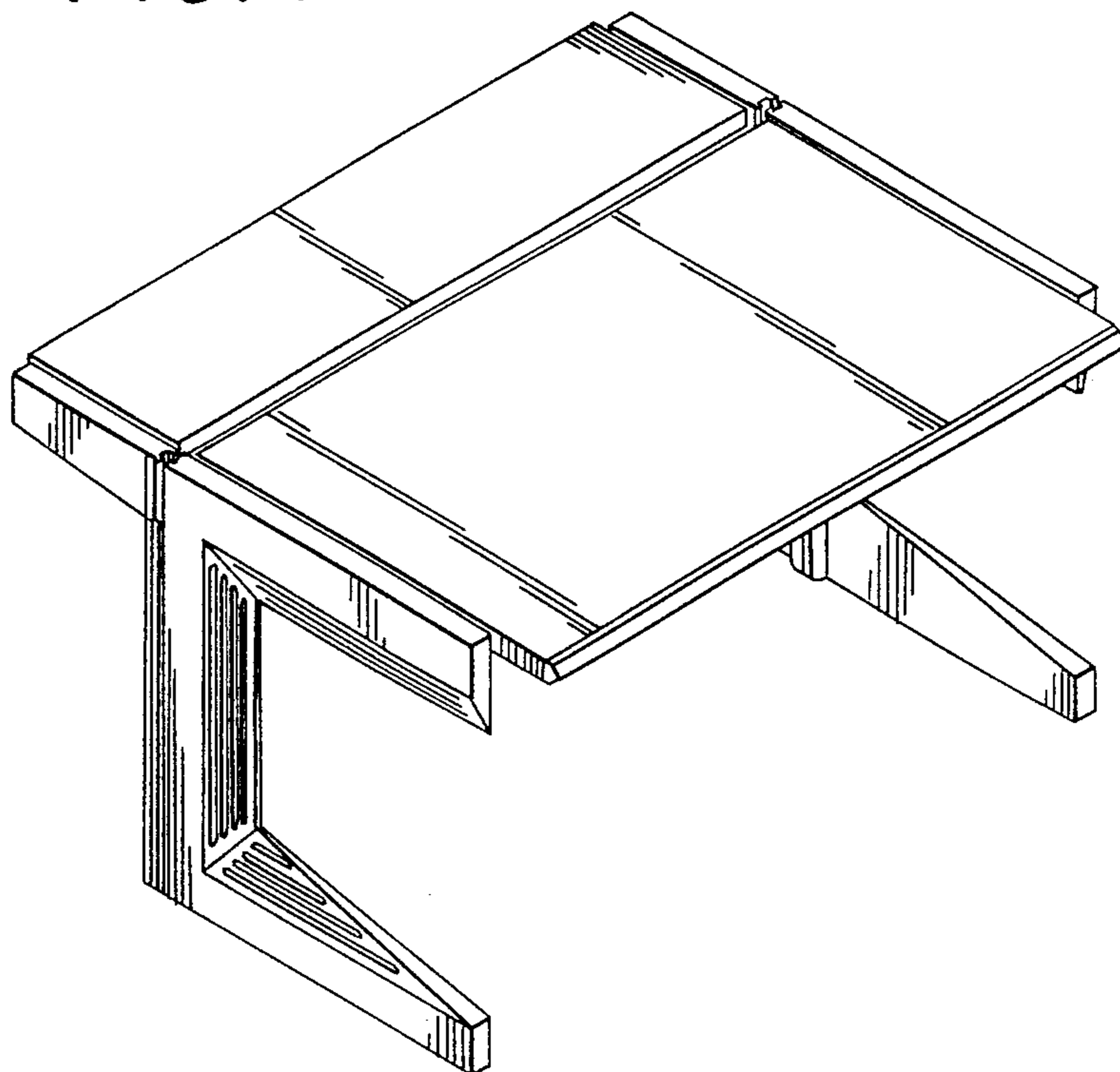
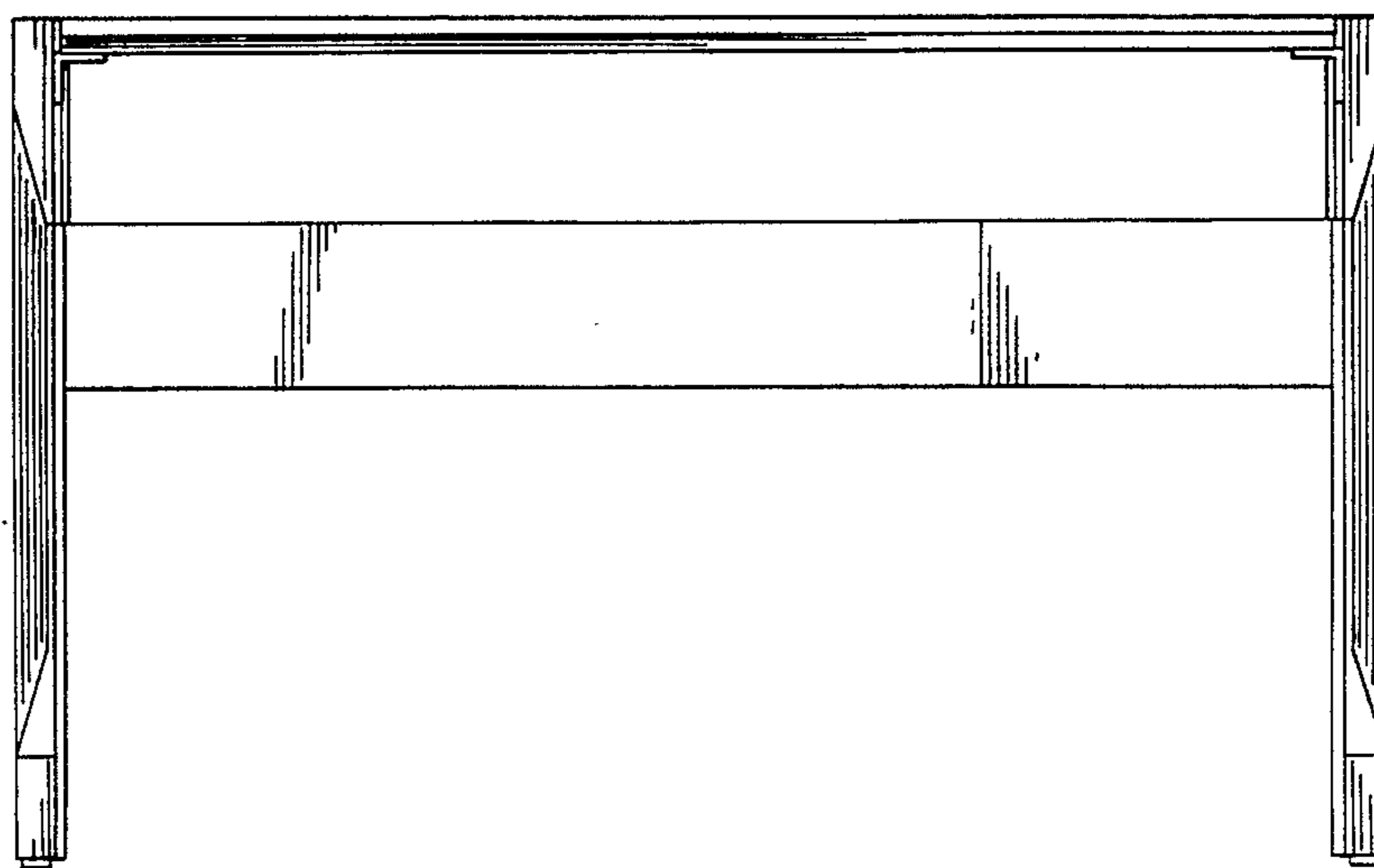


FIG. 2



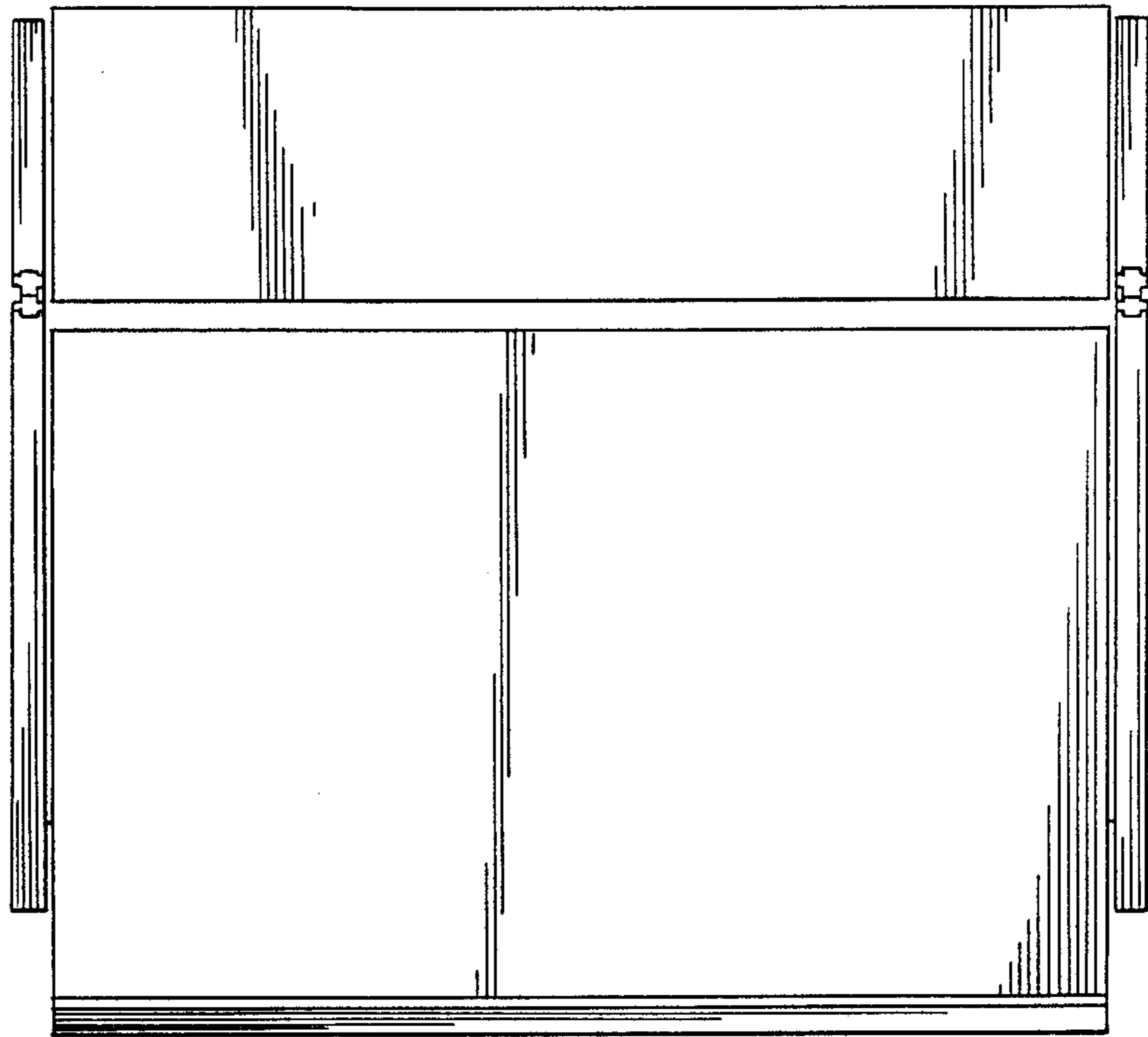


FIG. 3

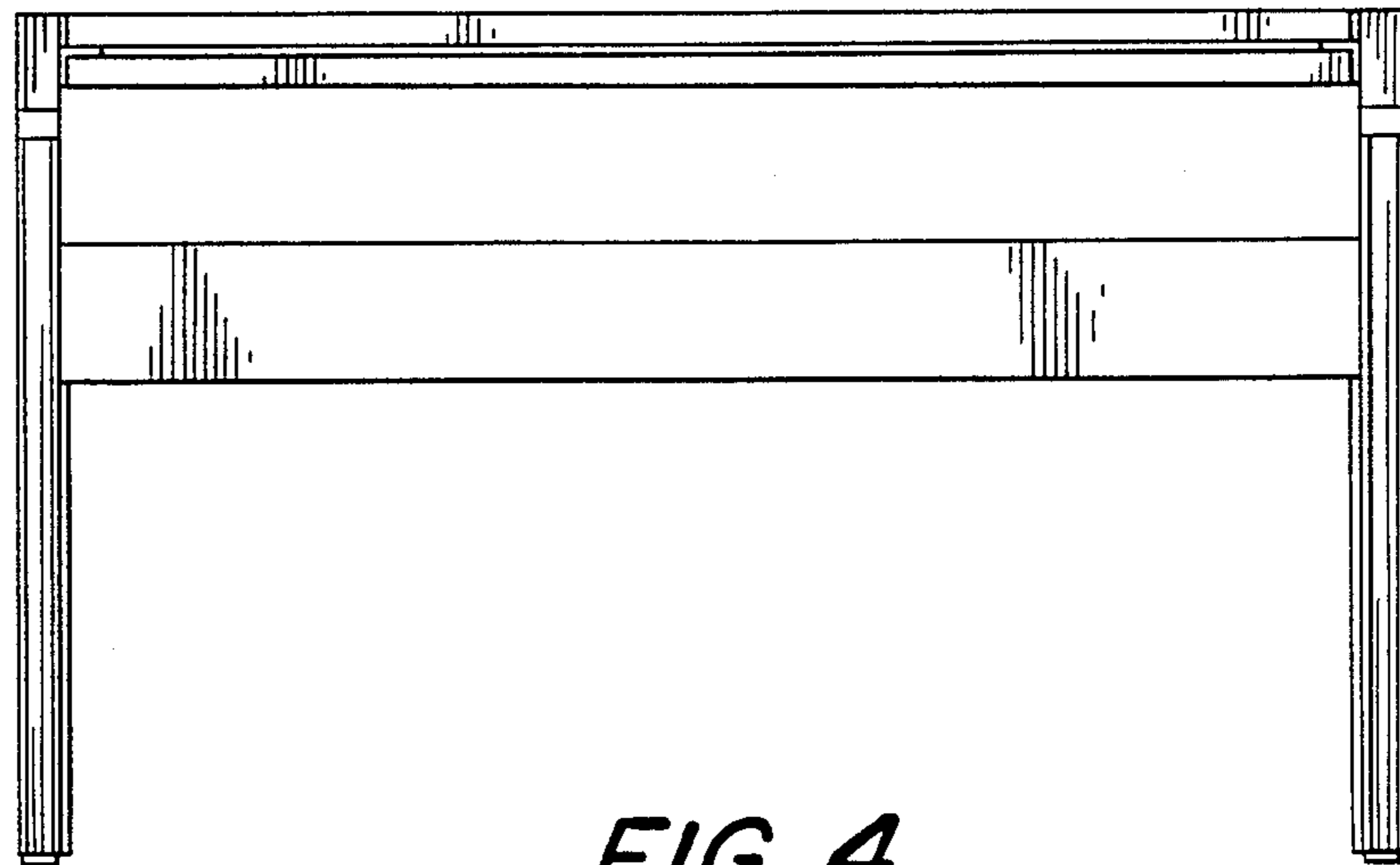


FIG. 4

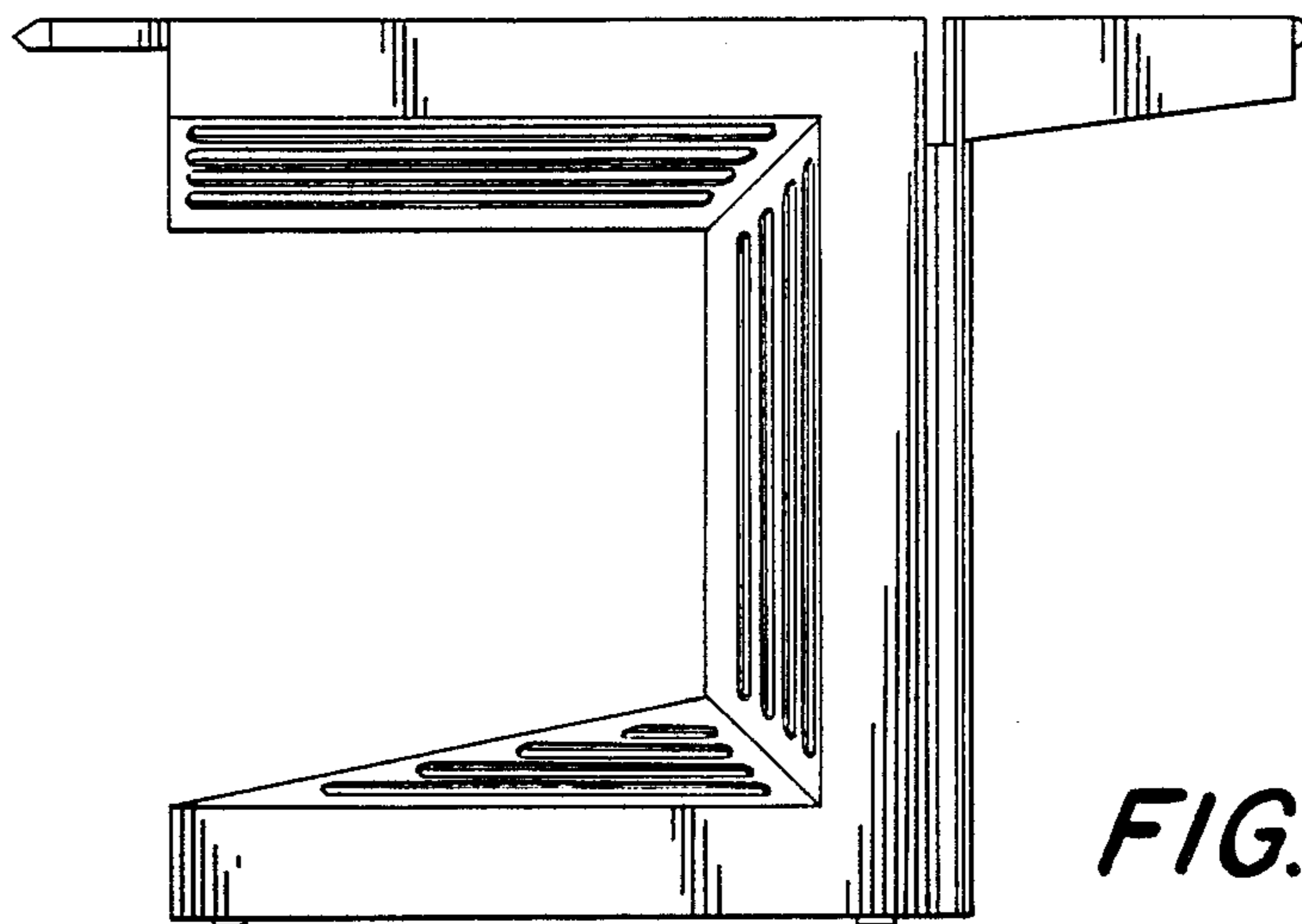


FIG. 5

FIG. 6

