

[54] TABLE

[75] Inventor: Leon Rosen, Scarsdale, N.Y.

[73] Assignee: The Pace Collection, Inc., Long Island City, N.Y.

[\*\*] Term: 14 Years

[21] Appl. No.: 106,431

[22] Filed: Oct. 6, 1987

[52] U.S. Cl. .... D6/486

[58] Field of Search ..... D6/480, 483-486, D6/488-489, 495, 511, 481

[56] References Cited

U.S. PATENT DOCUMENTS

- D. 134,391 11/1942 Waltman ..... D6/486 X
- D. 165,829 2/1952 Dorr, Jr. .... D6/486
- D. 188,669 8/1960 Reineman et al. .... D6/486 X
- D. 190,182 4/1961 Harris ..... D6/486 X

- D. 192,999 6/1962 Hastings et al. .... D6/498
- D. 194,037 11/1962 Reineman et al. .... D6/486 X
- D. 198,324 6/1964 Gale ..... D6/486
- D. 229,589 12/1973 Gregorutti ..... D6/486 X
- D. 249,300 9/1978 Szabo et al. .... D6/486
- D. 259,525 6/1981 Kane ..... D6/486

Primary Examiner—Bruce W. Dunkins  
Assistant Examiner—Janice Seeger  
Attorney, Agent, or Firm—Darby & Darby

[57] CLAIM

The ornamental design for a table, as shown and described.

DESCRIPTION

FIG. 1 is a top perspective view of a table showing my new design;  
FIG. 2 is a side elevational view thereof;  
FIG. 3 is a top plan view thereof; and  
FIG. 4 is a bottom plan view thereof.

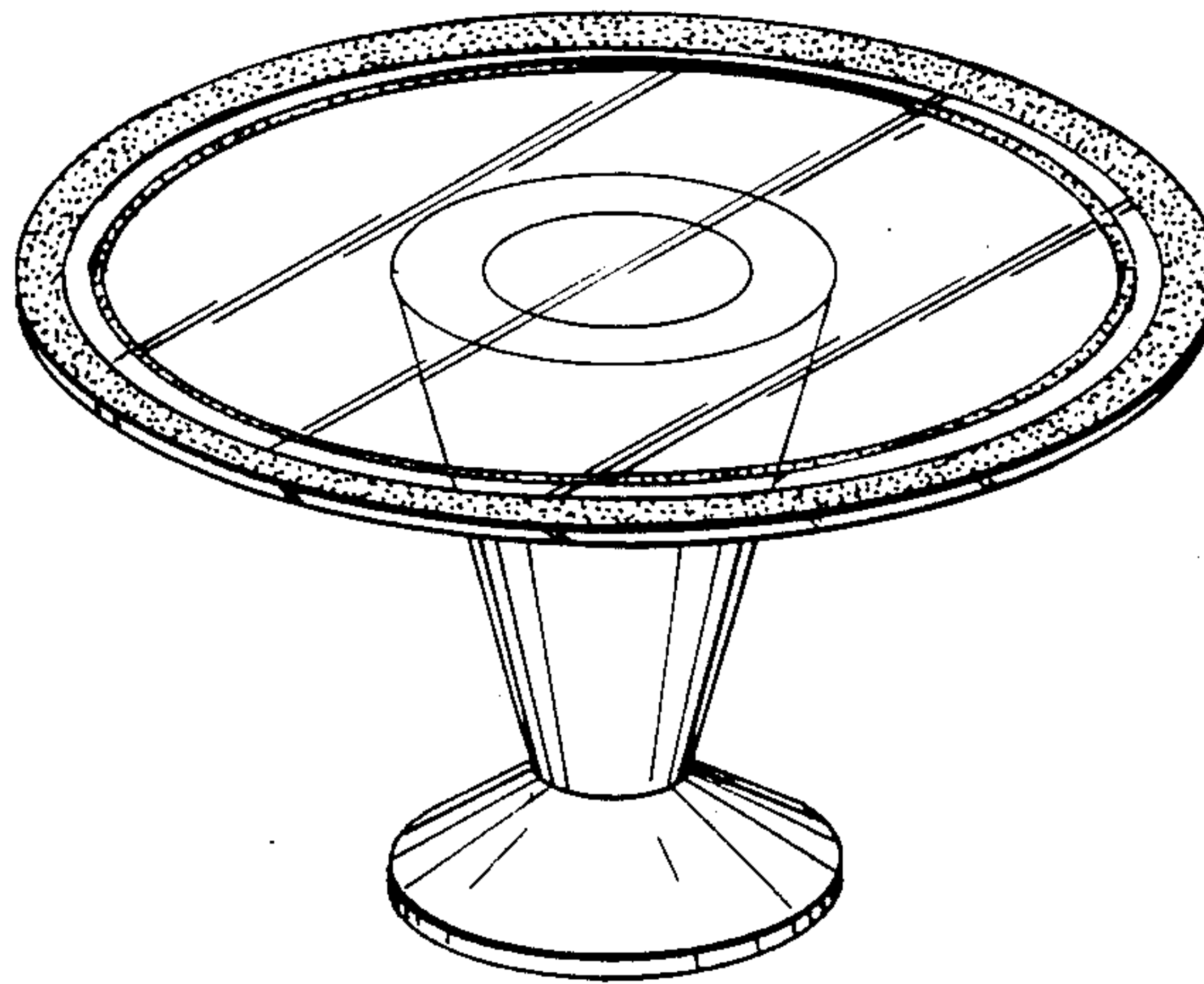


FIG. 1

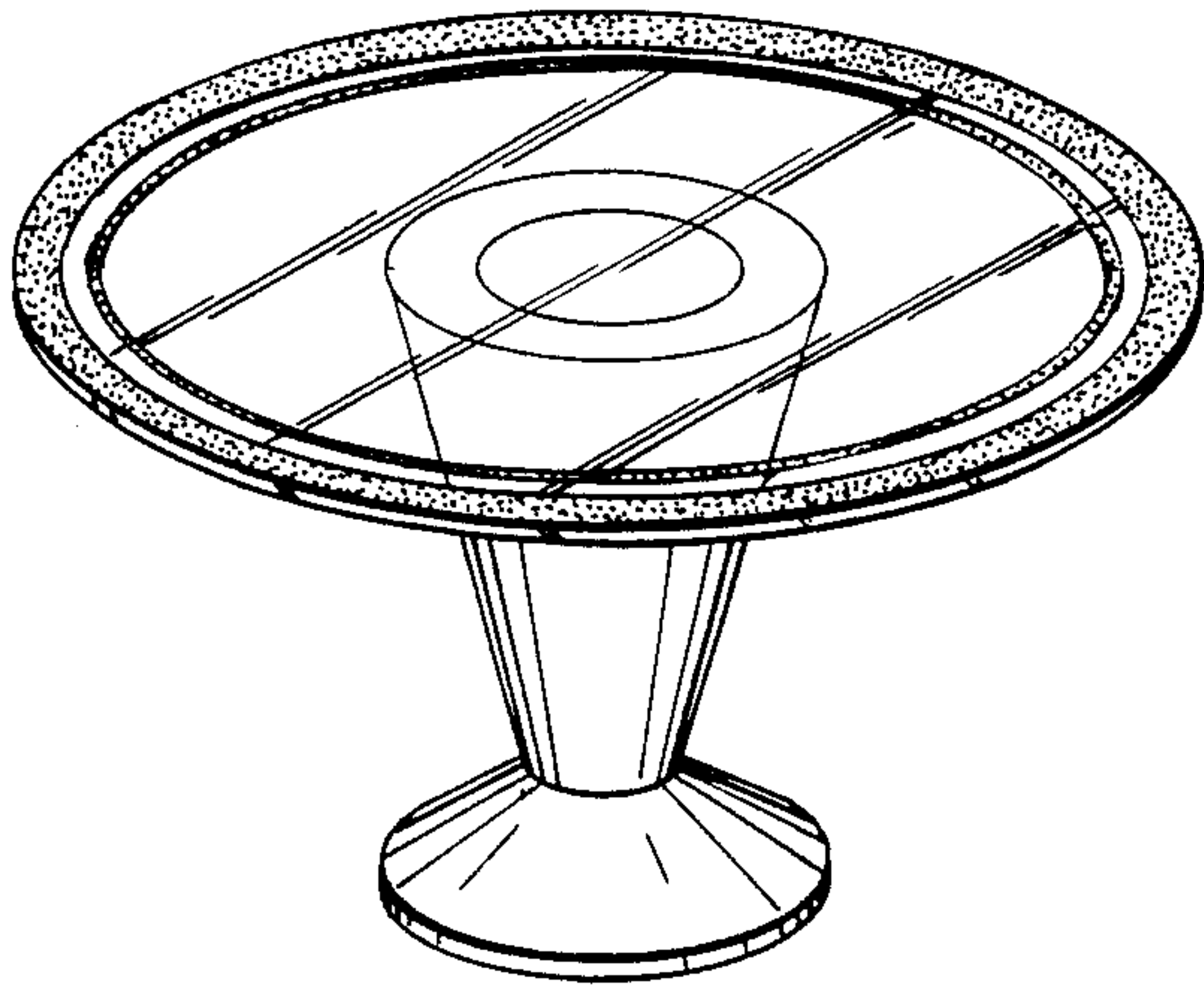


FIG. 2

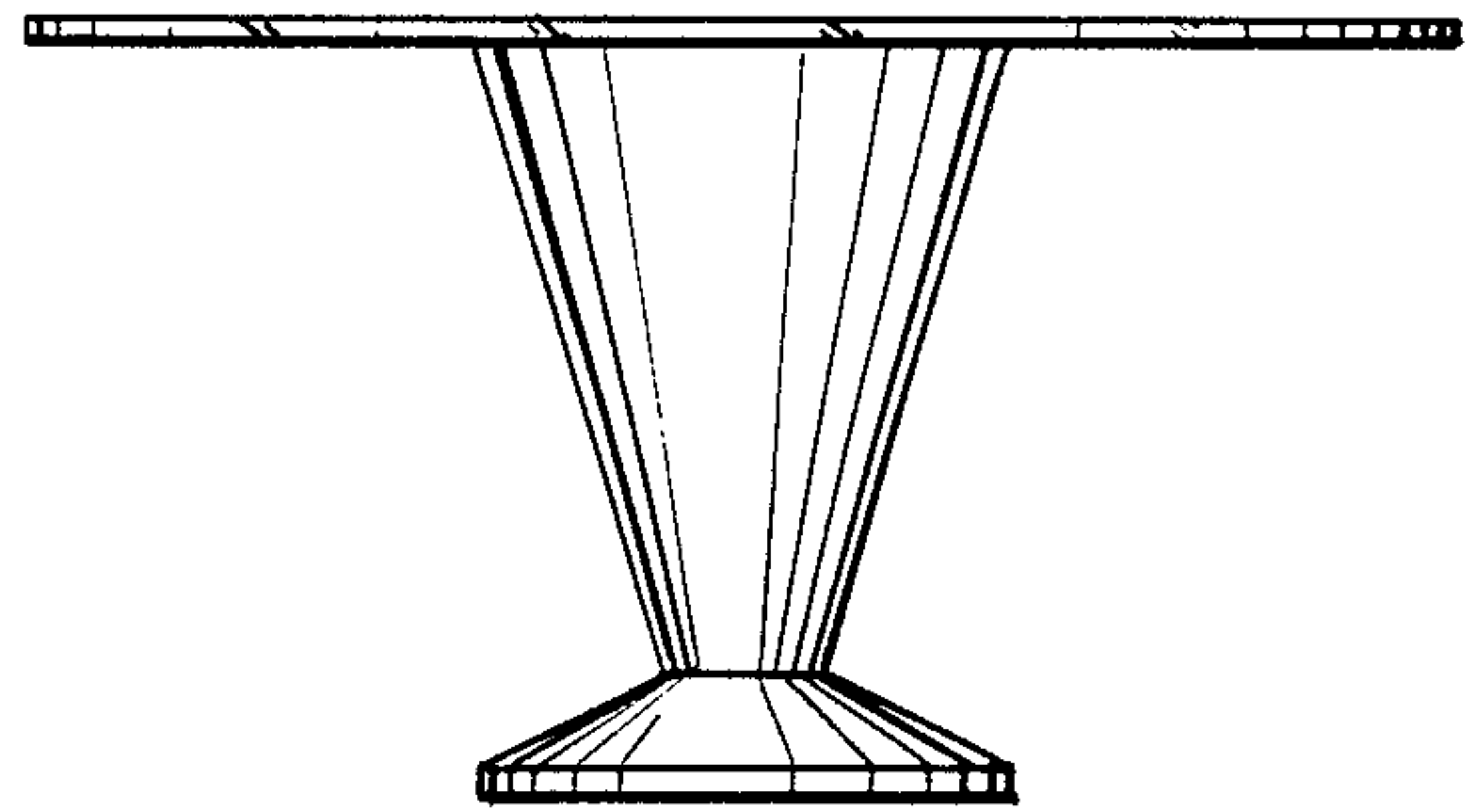


FIG. 3

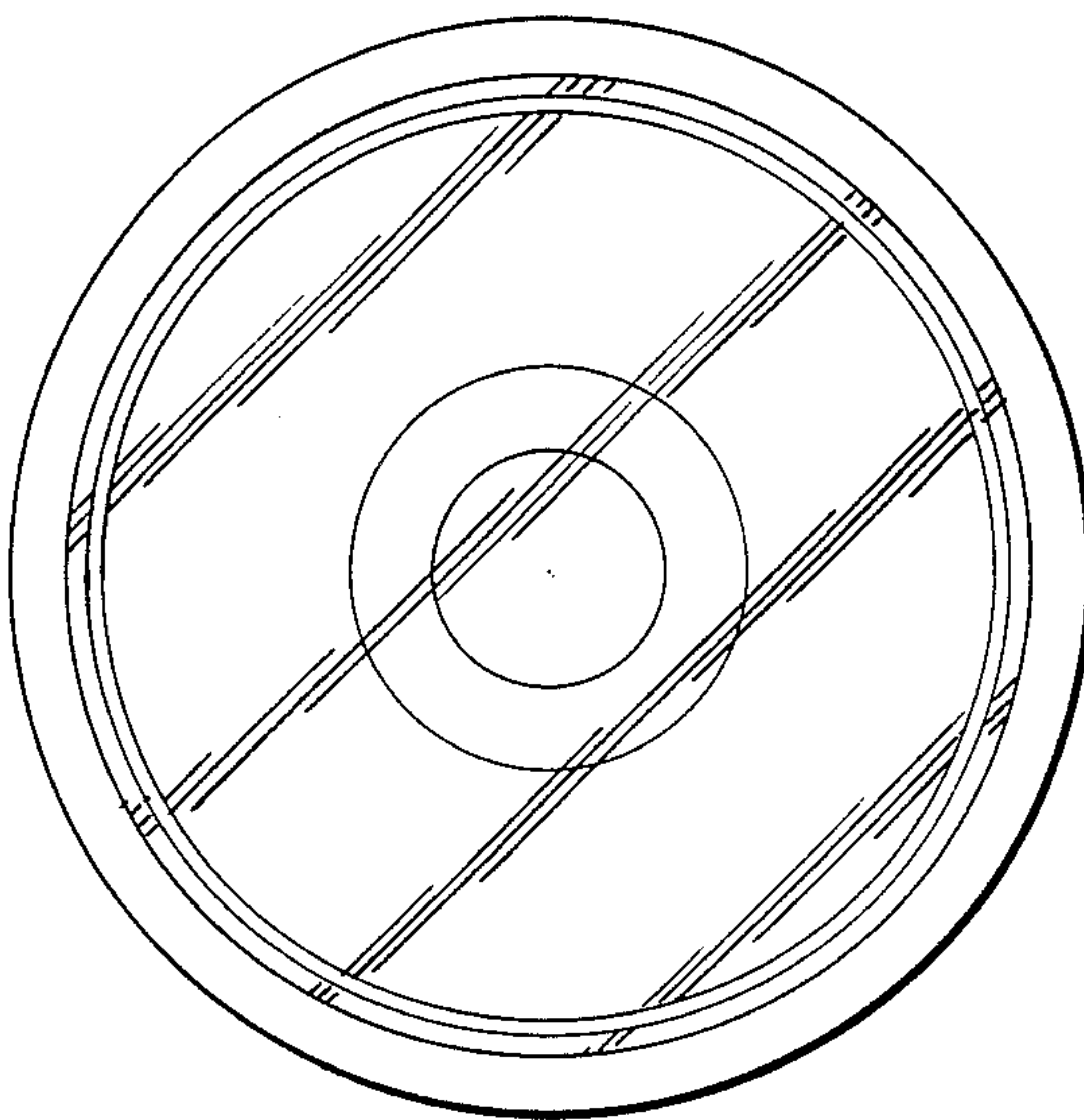


FIG. 4

