

[54] CONVERTIBLE CRADLE CANOPY AND VISUAL DISPLAY UNIT

[76] Inventors: Terry K. Holdredge; Susan S. Holdredge, both of 1303 Hanover Rd., Anderson, S.C. 29621

[**] Term: 14 Years

[21] Appl. No.: 943,161

[22] Filed: Dec. 18, 1986

[52] U.S. Cl. D6/389

[58] Field of Search D6/389, 333, 390, 421, D6/503, 505; D14/106, 113, 114, 115; 5/97, 105, 100, 455, 414, 116, 413; 235/145 A, 145 R; 297/184; 364/706, 707, 708

[56] References Cited

U.S. PATENT DOCUMENTS

98,742 1/1870 Chevallier et al. 5/105 X
3,096,917 7/1963 Gudiksen D6/333 X
3,323,147 6/1967 Van Dean 5/455 X

FOREIGN PATENT DOCUMENTS

1342264 9/1963 France 5/413

Primary Examiner—Bruce W. Dunkins

Assistant Examiner—Janice Seeger

Attorney, Agent, or Firm—Cort Flint

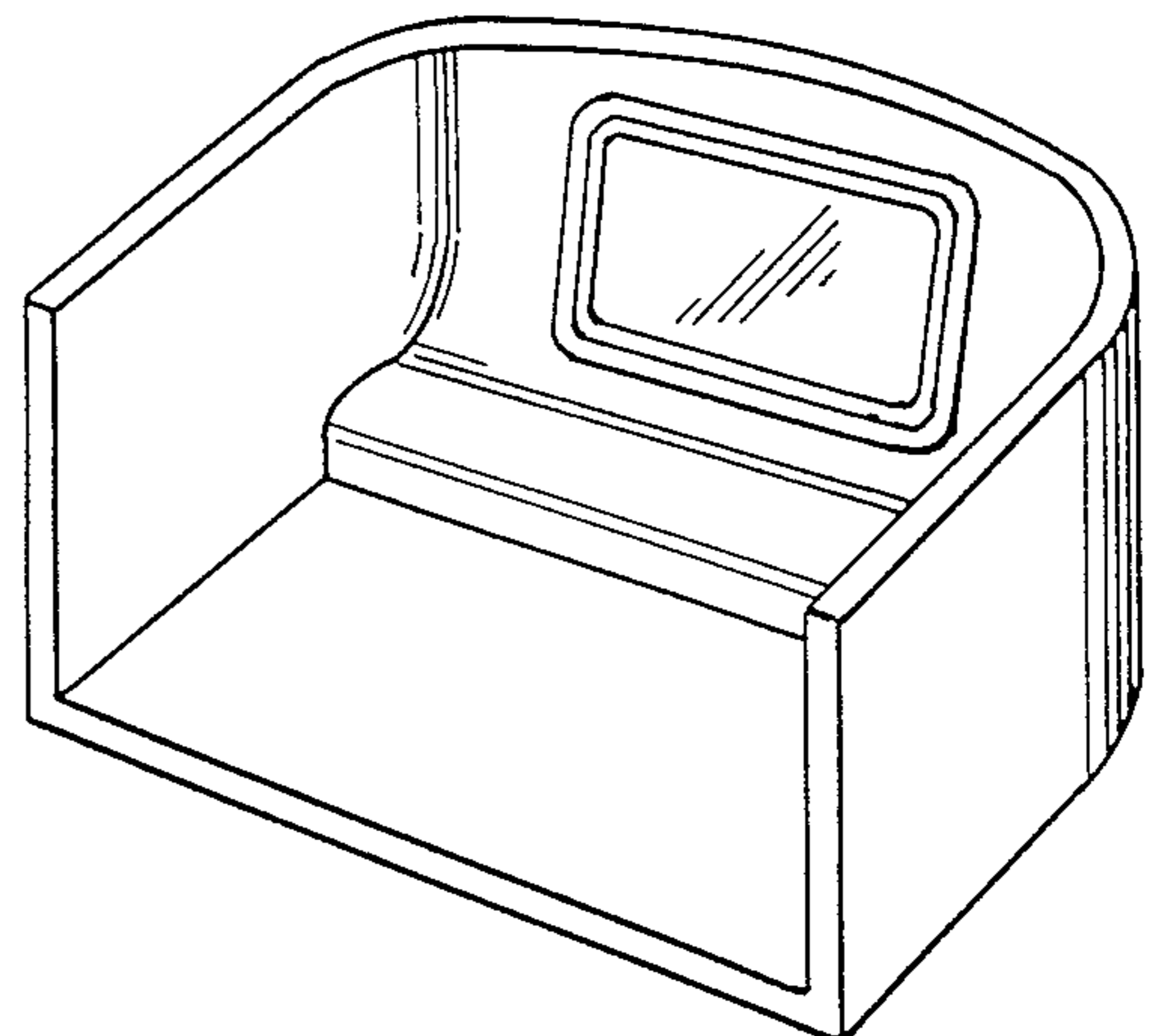
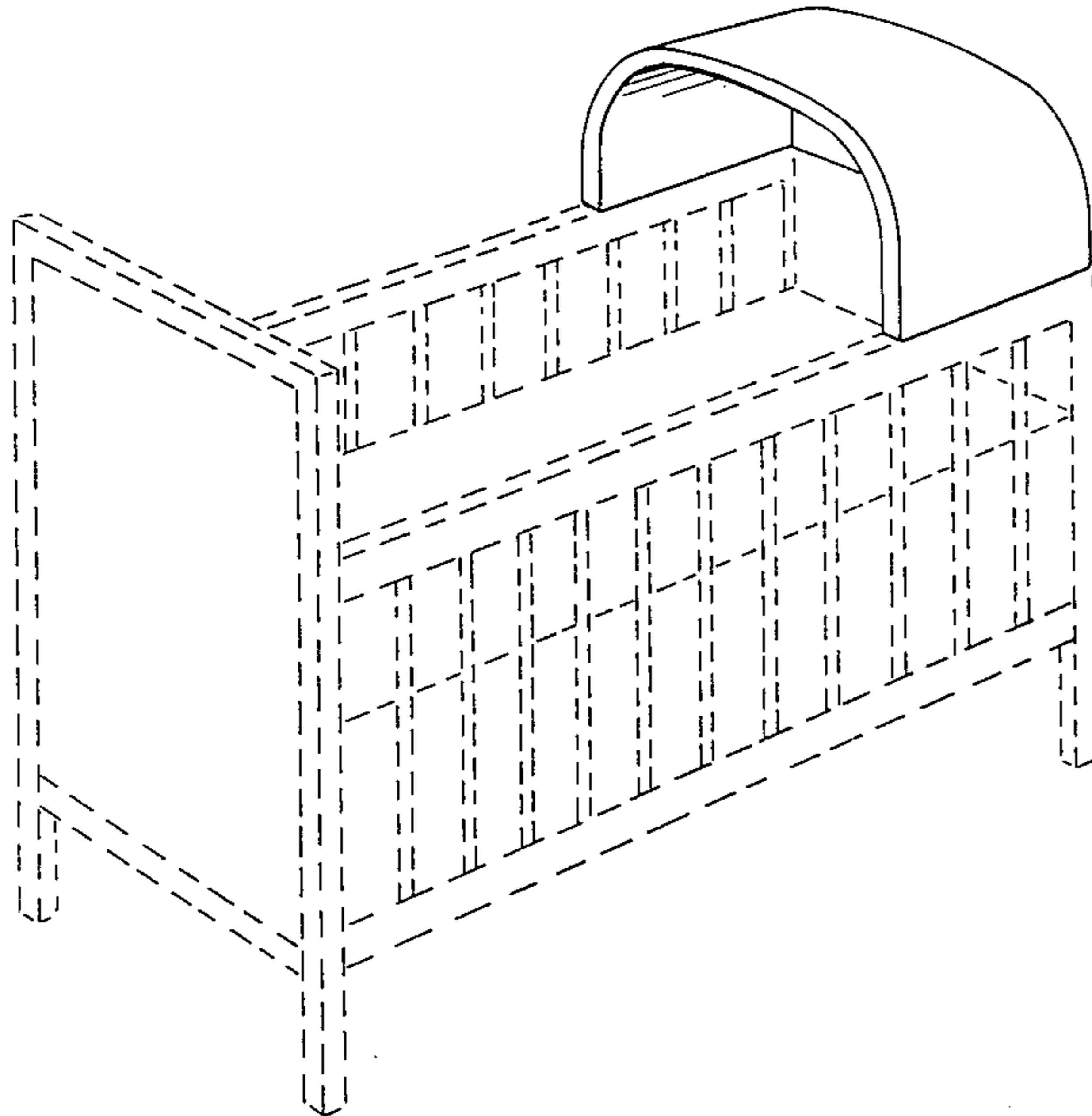
[57] CLAIM

The ornamental design for a convertible cradle canopy and visual display unit, as shown and described.

DESCRIPTION

FIG. 1 is a top perspective view of a convertible cradle canopy and visual display unit, showing my new design; FIG. 2 is a front elevational view; FIG. 3 is a rear elevational view; FIG. 4 is bottom plan view; FIG. 5 is a top plan view; FIG. 6 is a side perspective view thereof, taken from above and showing the article in converted position for use as a desktop visual display and keyboard unit; and FIG. 7 is a perspective view of the article shown in the mode illustrated in FIG. 6 and illustrating the side not disclosed therein.

The cradle shown by means of broken lines in FIG. 1 has been disclosed for illustrative purposes only.



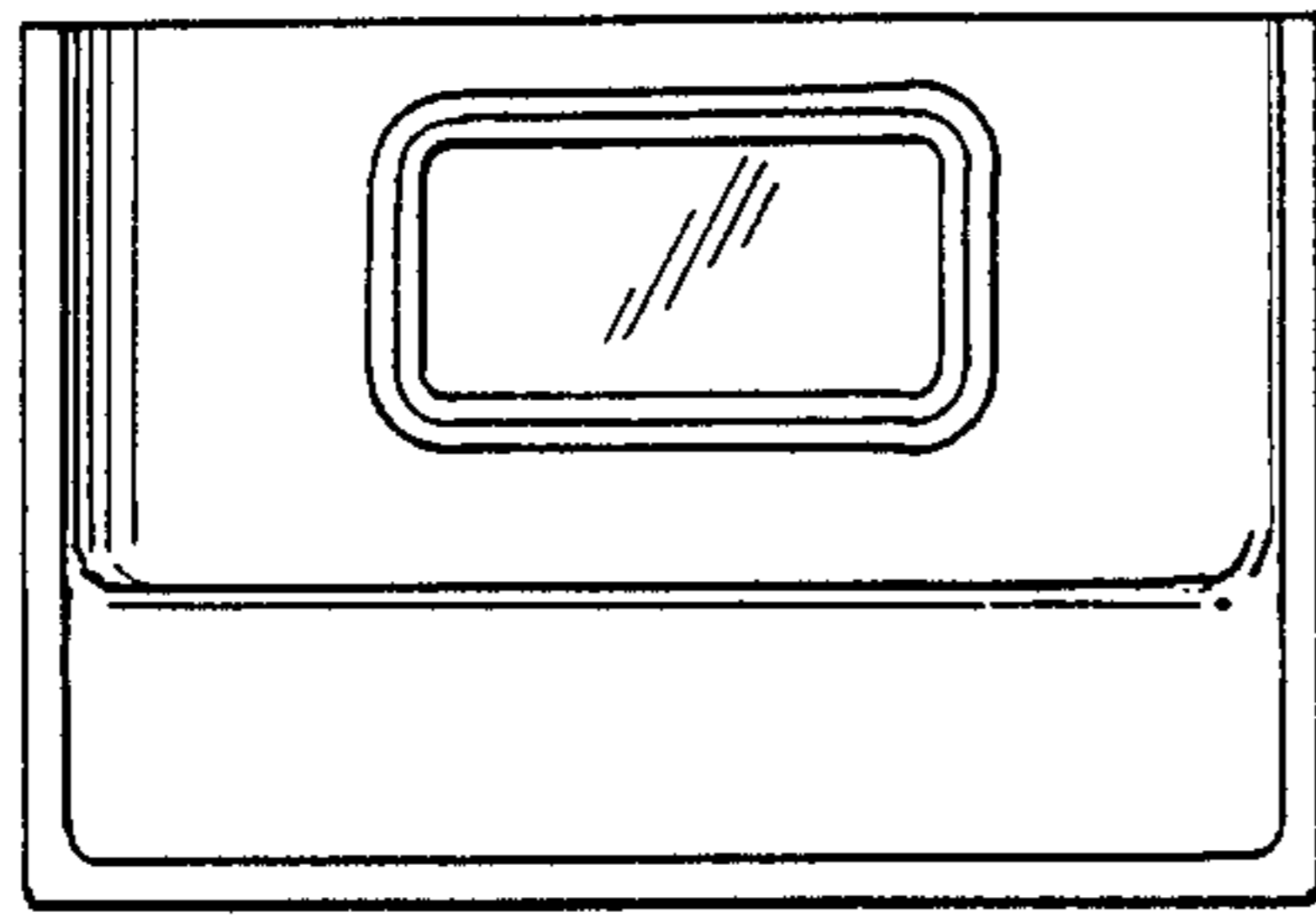


Fig. 4.

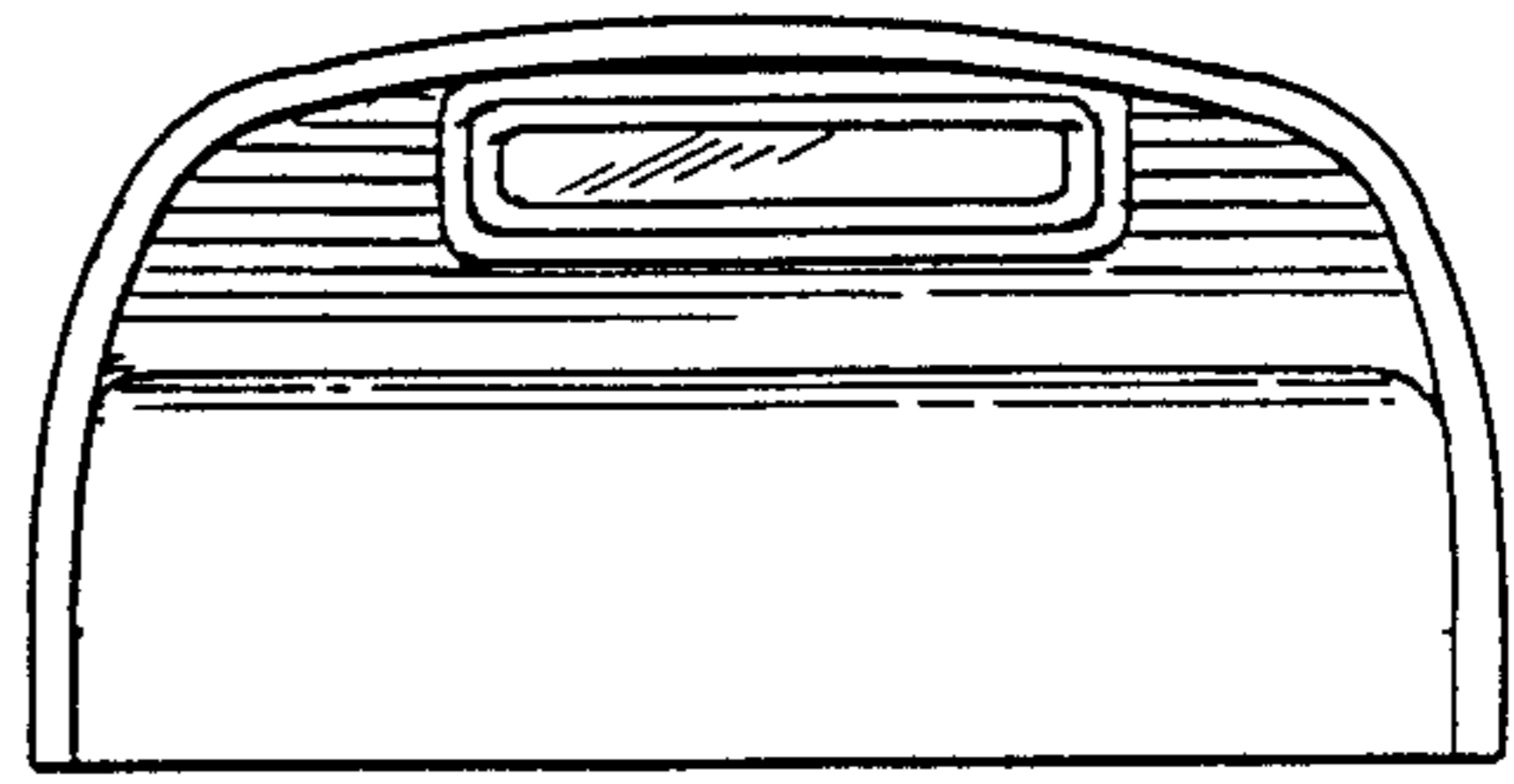


Fig. 2.

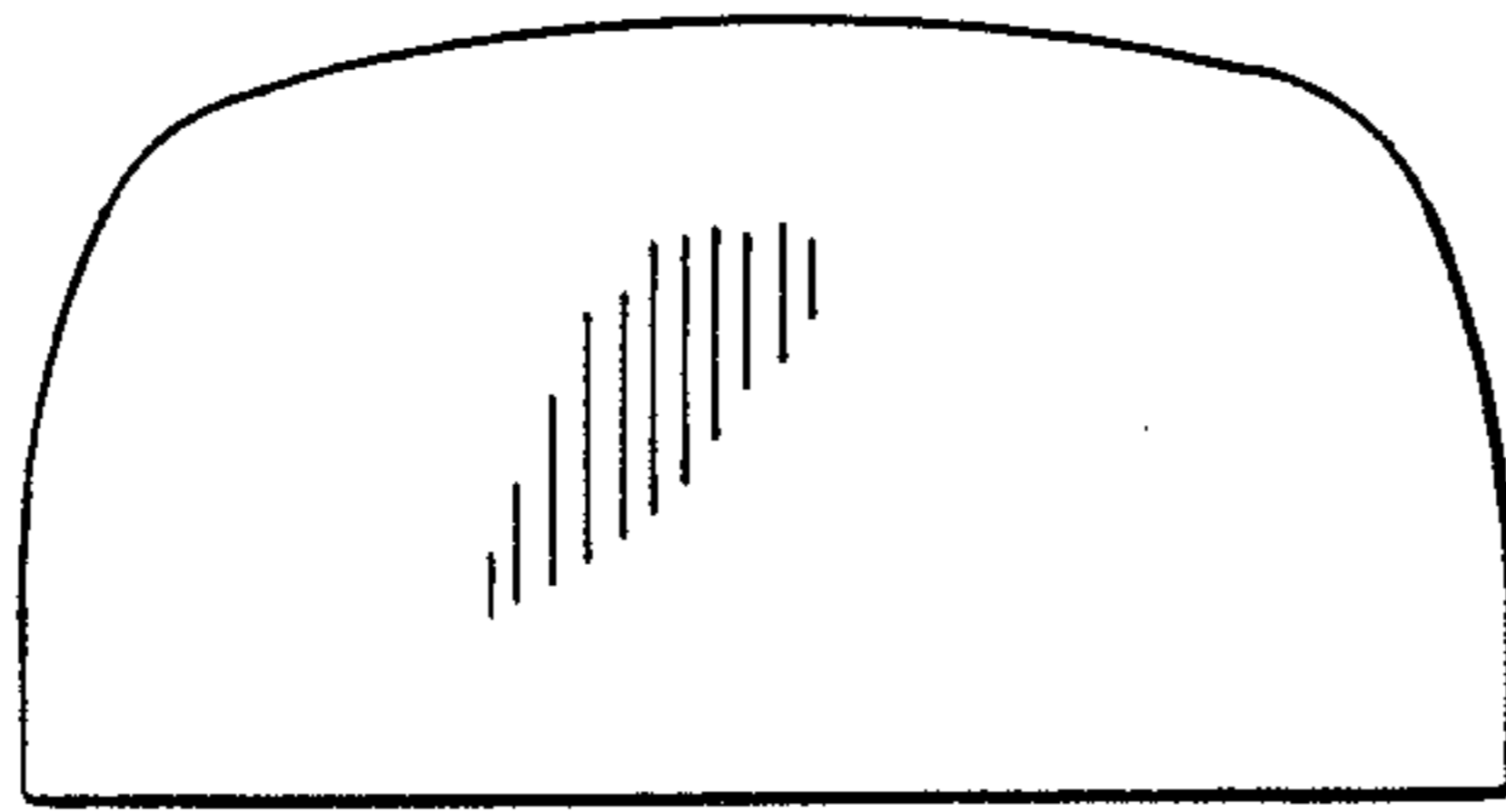


Fig. 3.

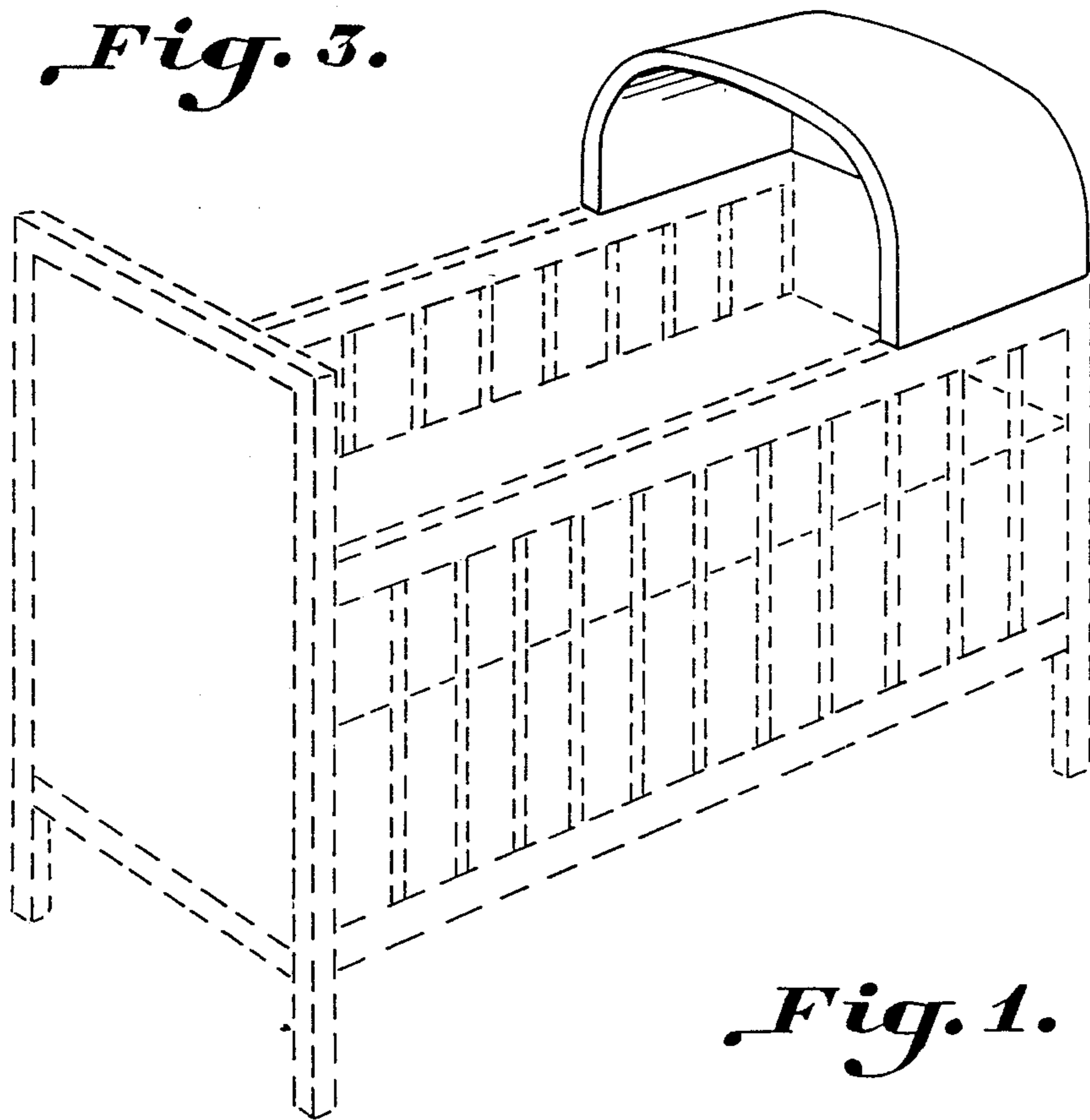


Fig. 1.

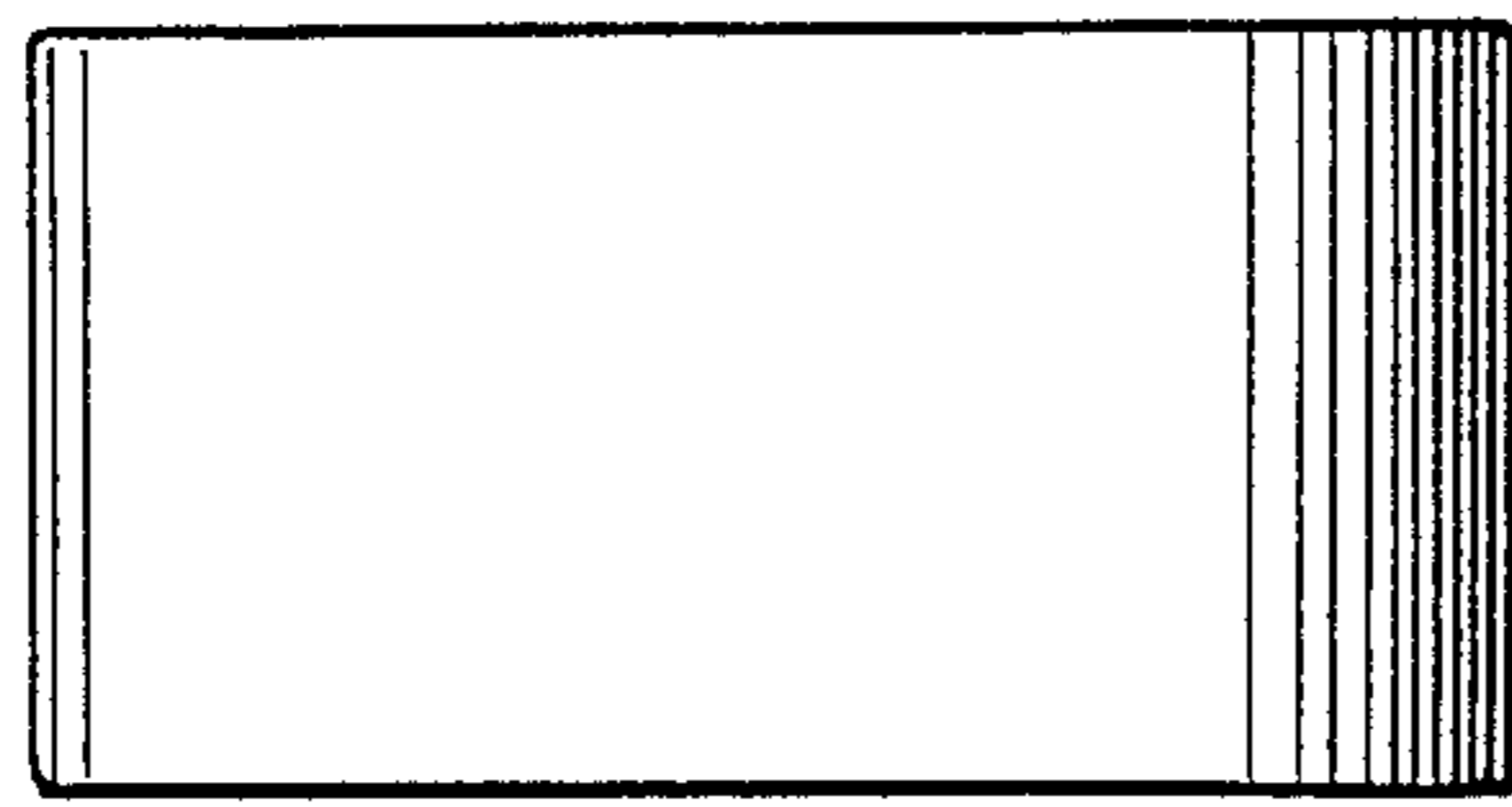


Fig. 5.

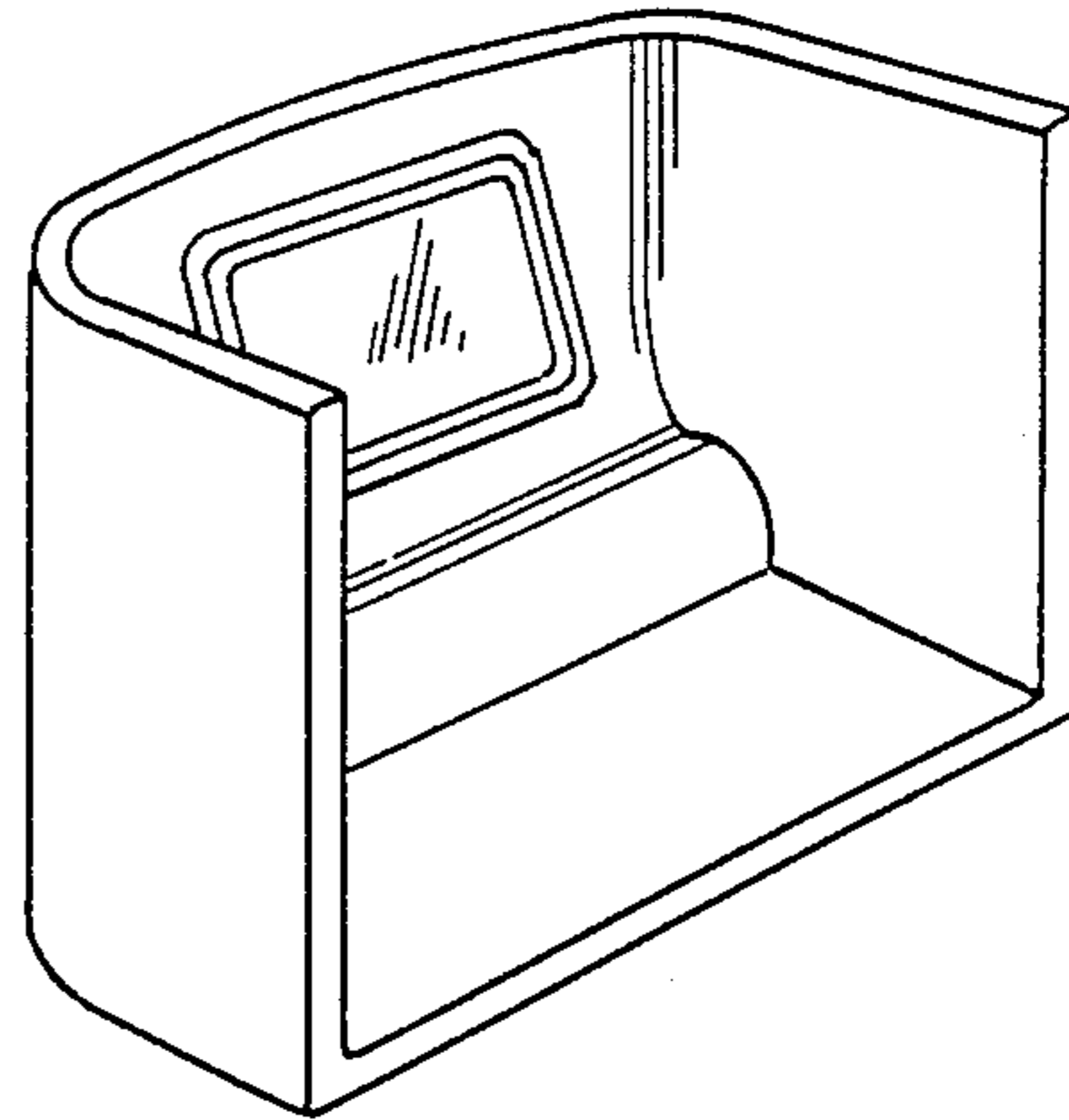


Fig. 6.

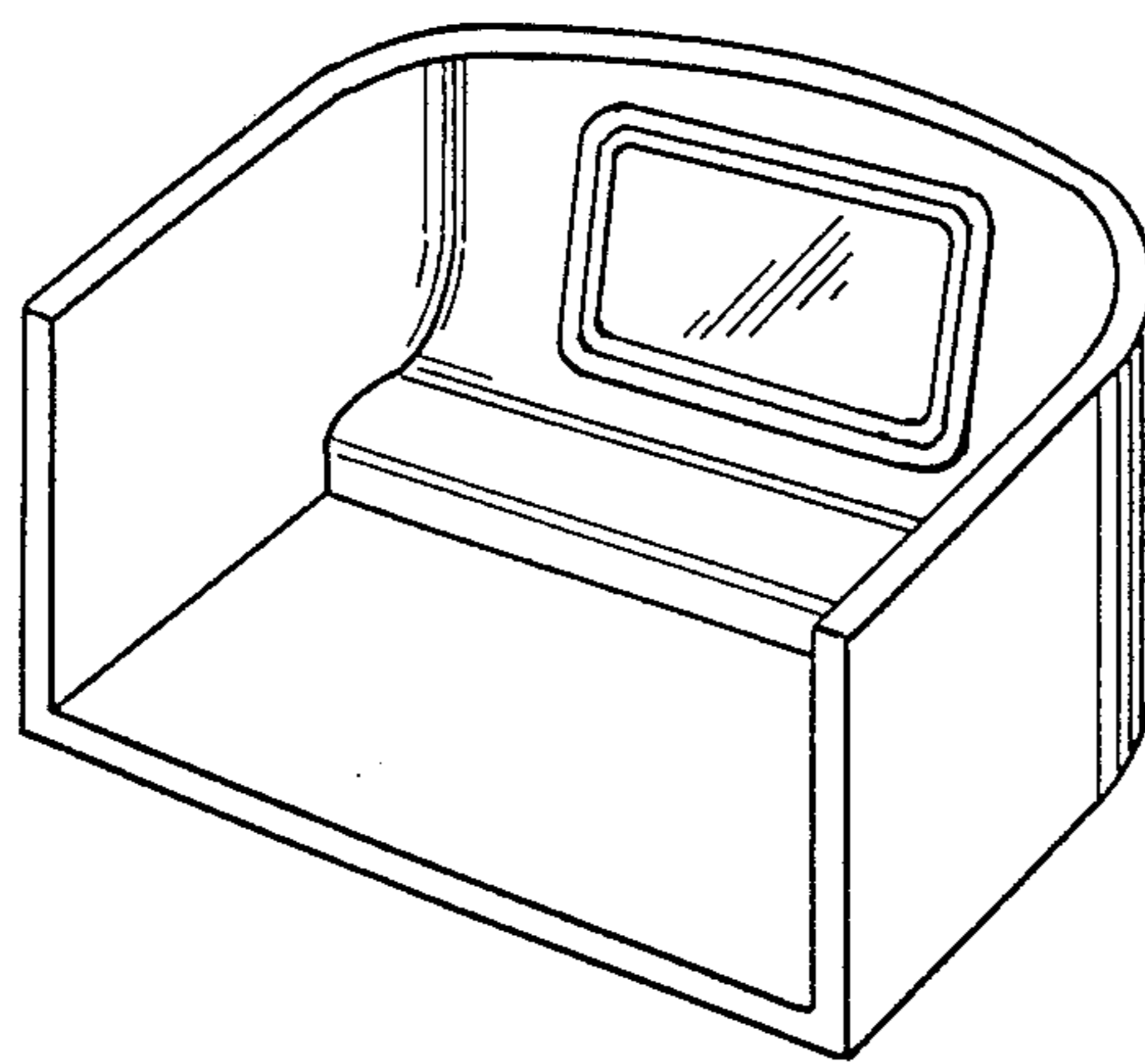


Fig. 7.