

[54] VANITY BENCH

[75] Inventor: Peter M. Yau Kee, Happy Valley, Hong Kong

[73] Assignee: Rosalco, Inc., Louisville, Ky.

[**] Term: 14 Years

[21] Appl. No.: 506,378

[22] Filed: Apr. 9, 1990

Related U.S. Application Data

- [62] Division of Ser. No. 354,932, May 19, 1989.
- [52] U.S. Cl. D6/349; D6/355
- [58] Field of Search D6/355, 503, 349, 505, D6/507, 508, 491, 393, 394, 395, 382, 380, 334, 374, 379, 370; 211/182

References Cited

U.S. PATENT DOCUMENTS

- D. 49,154 6/1916 Martin D6/355

- D. 73,211 8/1927 Shapiro D6/355
- D. 87,577 8/1932 Hoey D6/355
- D. 145,541 9/1946 Sky D6/355

OTHER PUBLICATIONS

Best Catalog, 1986/87, #2 and #7, p. 216.
 Fick seed Catalog—#5791, p. 40.
 Furniture/Today, Jul. 11, 1988, 2nd from right.

Primary Examiner—Bruce W. Dunkins
 Assistant Examiner—Jeffrey Asch
 Attorney, Agent, or Firm—Rhodes, Coats & Bennett

[57] CLAIM

The ornamental design for a vanity bench, as shown and described.

DESCRIPTION

FIG. 1 is a front and left side perspective view of a vanity bench showing my new design;
 FIG. 2 is a right side elevational view thereof;
 FIG. 3 is a rear elevational view thereof; and
 FIG. 4 is a perspective view thereof, broken away to show indeterminate length.

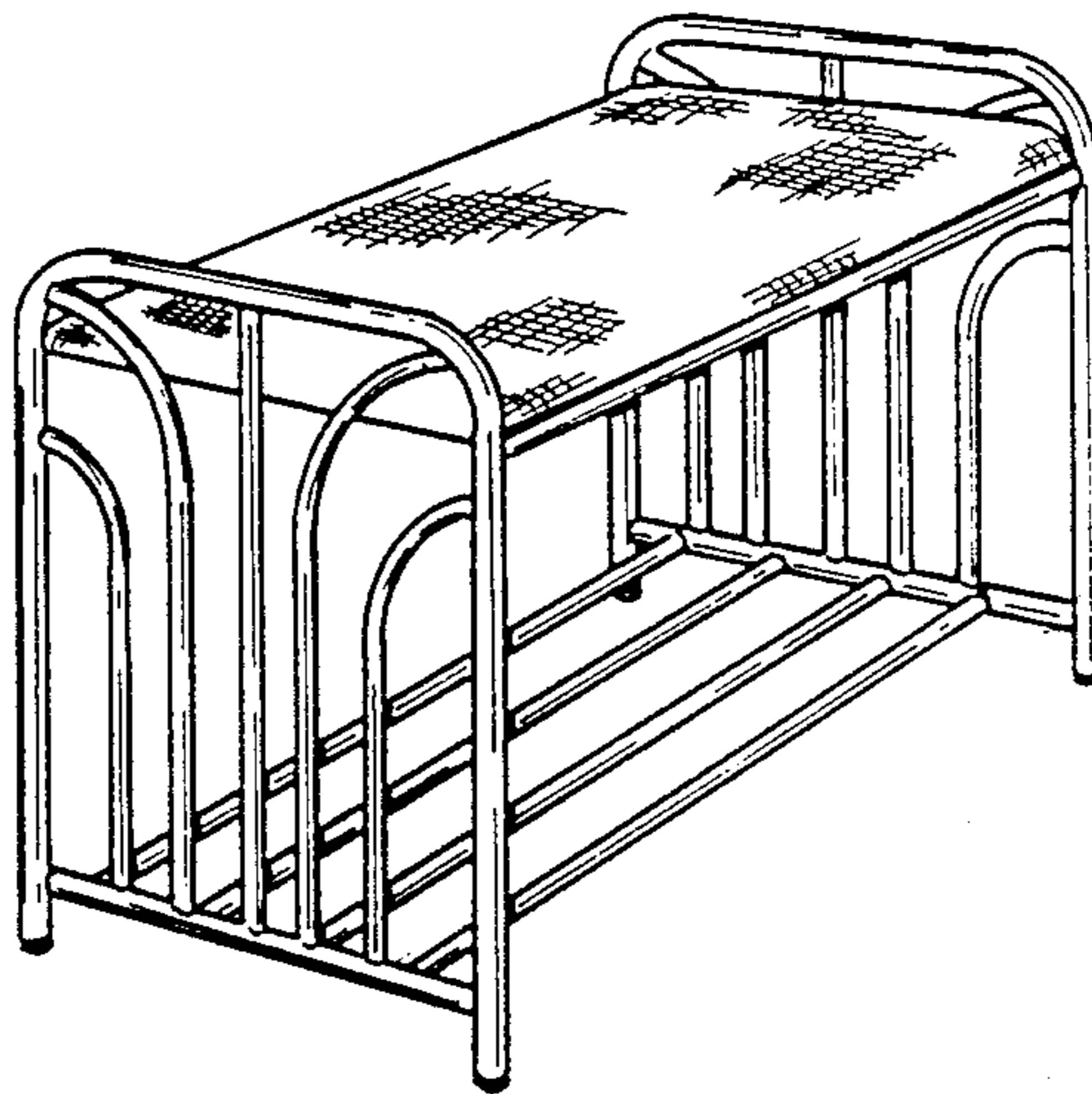


FIG. 1

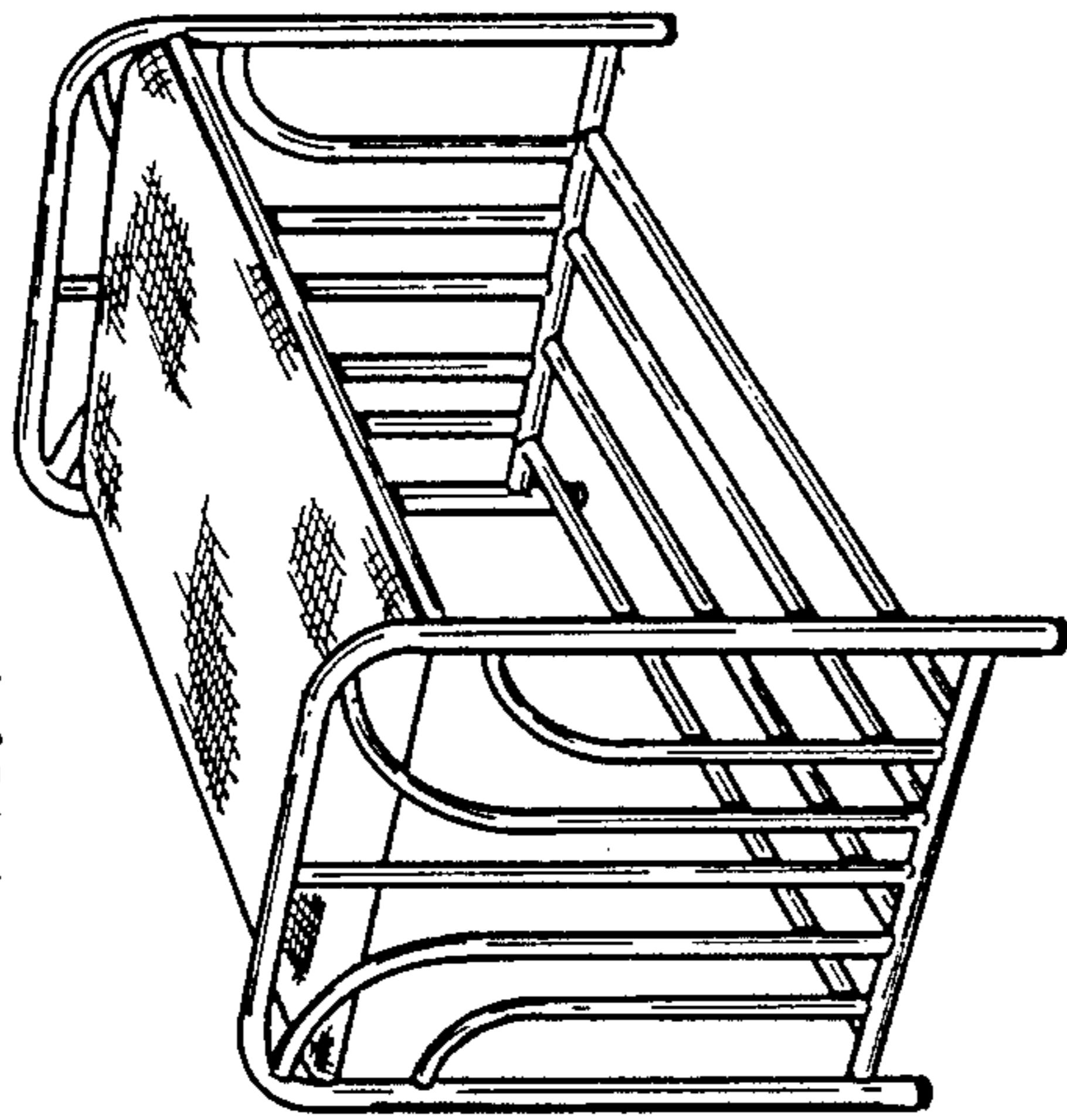


FIG. 3

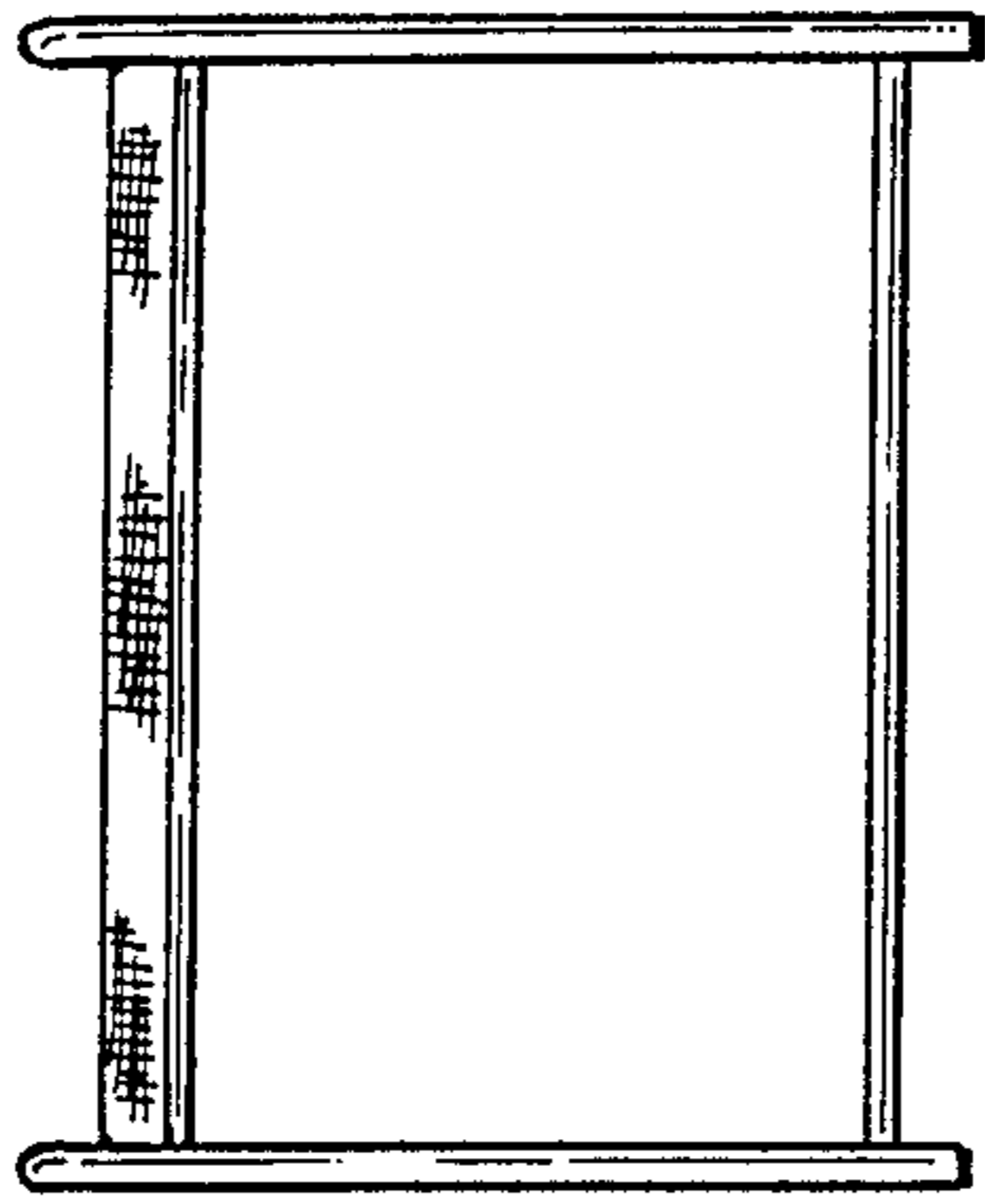


FIG. 4

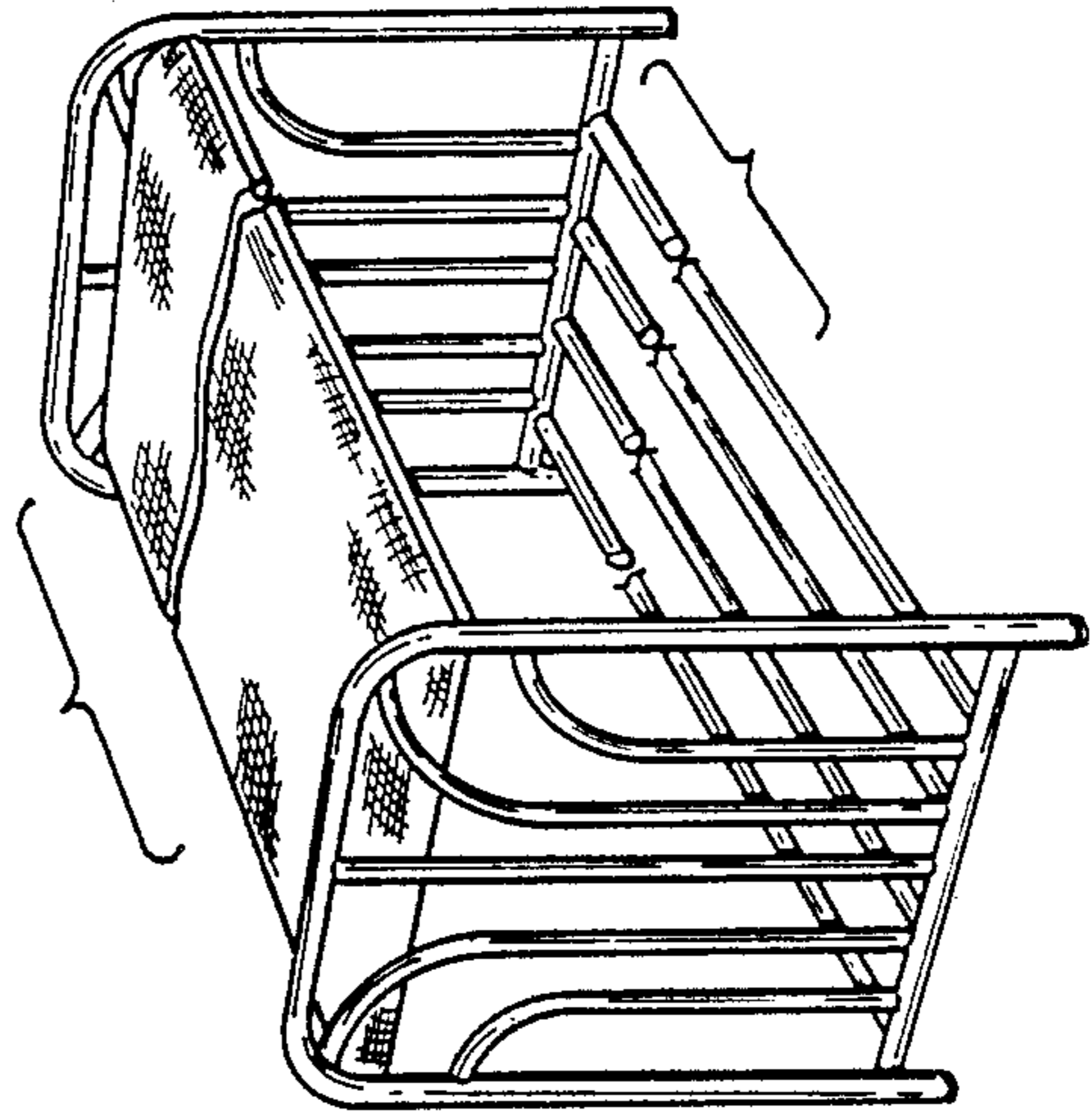


FIG. 2

