

[54] MULTIMETER HOLSTER

[75] Inventors: Michael D. Nelson; Heiman Wong, both of Seattle, Wash.

[73] Assignee: John Fluke Mfg. Co., Inc., Everett, Wash.

[**] Term: 14 Years

[21] Appl. No.: 122,652

[22] Filed: Nov. 13, 1987

[52] U.S. Cl. D3/105; D10/80

[58] Field of Search D10/75-80; D3/100, 99, 105; 150/161; 224/904, 191, 226, 252, 242, 252, 253, 232, 234, 240; 324/156, 158 P; 248/146, 207, 450, 455, 460, 542; D18/2; D14/254, 253, 102, 105; 211/70.6, 13; 235/63 R

[56] References Cited

U.S. PATENT DOCUMENTS

D. 193,678	9/1962	Goldman	D3/105
D. 236,614	9/1975	Kubik	D3/100
D. 271,253	11/1983	Abatic	D3/105
2,908,432	10/1959	Kent	224/242
4,113,212	9/1978	Coriden	248/455
4,299,344	11/1981	Yamashita et al.	224/252 X

4,420,078	12/1983	Belt et al.	224/253 X
4,746,042	5/1988	King	224/904 X

FOREIGN PATENT DOCUMENTS

29724	12/1906	United Kingdom	224/242
-------	---------	----------------	-------	---------

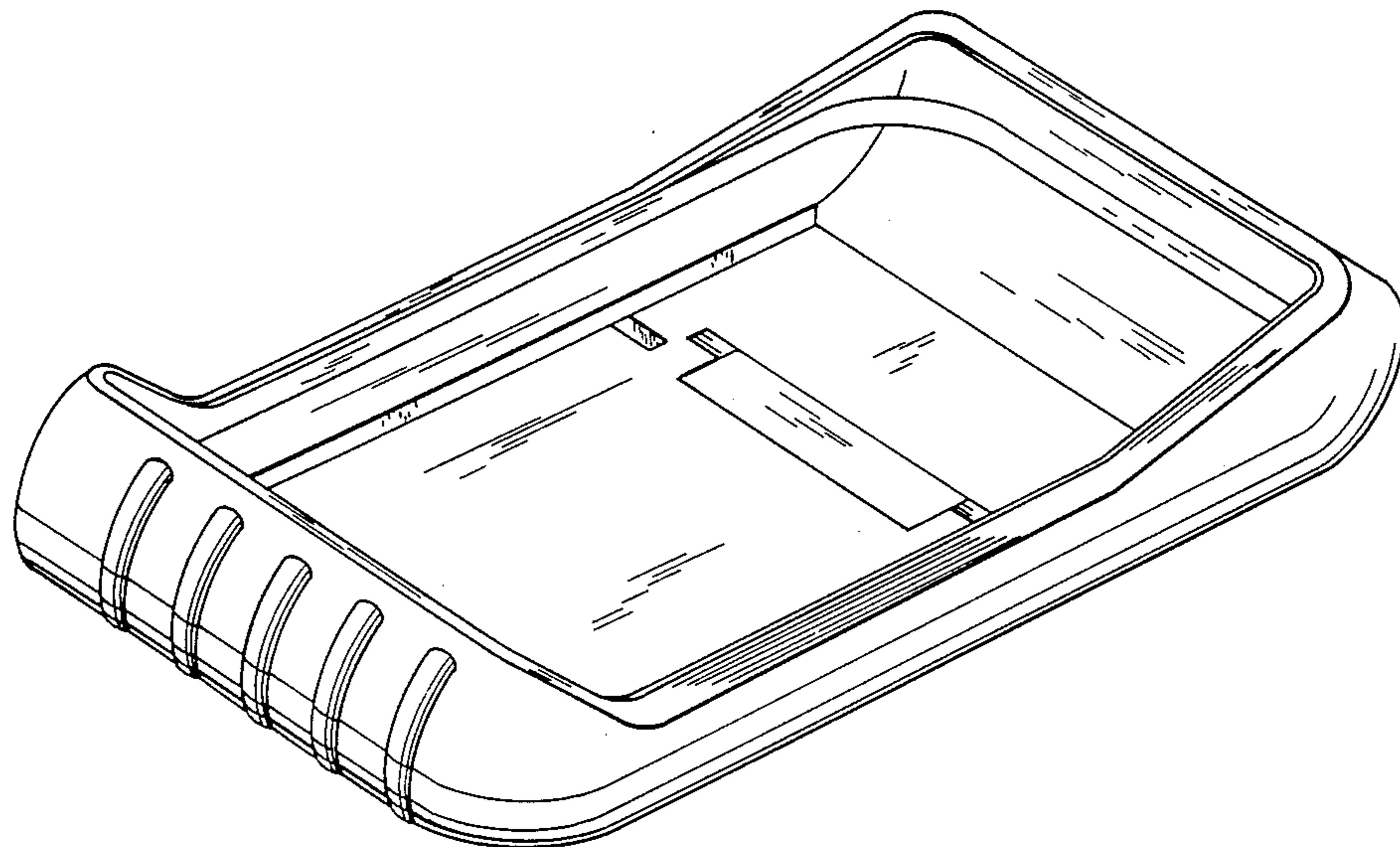
Primary Examiner—Nelson C. Holtje
Assistant Examiner—Antoine D. Davis
Attorney, Agent, or Firm—Stephen A. Becker

[57] CLAIM

The ornamental design for a multimeter holster, as shown and described.

DESCRIPTION

FIG. 1 is a top plan view of a multimeter holster showing our new design;
FIG. 2 is a right side elevational view;
FIG. 3 is a front elevational view;
FIG. 4 is a rear elevational view;
FIG. 5 is a bottom plan view;
FIG. 6 is a left side elevational view showing the rear support extended, the dotted line showing of an instrument is for illustrative purposes only and forms no part of the claimed design; and
FIG. 7 is a top, front, and right side perspective view thereof.



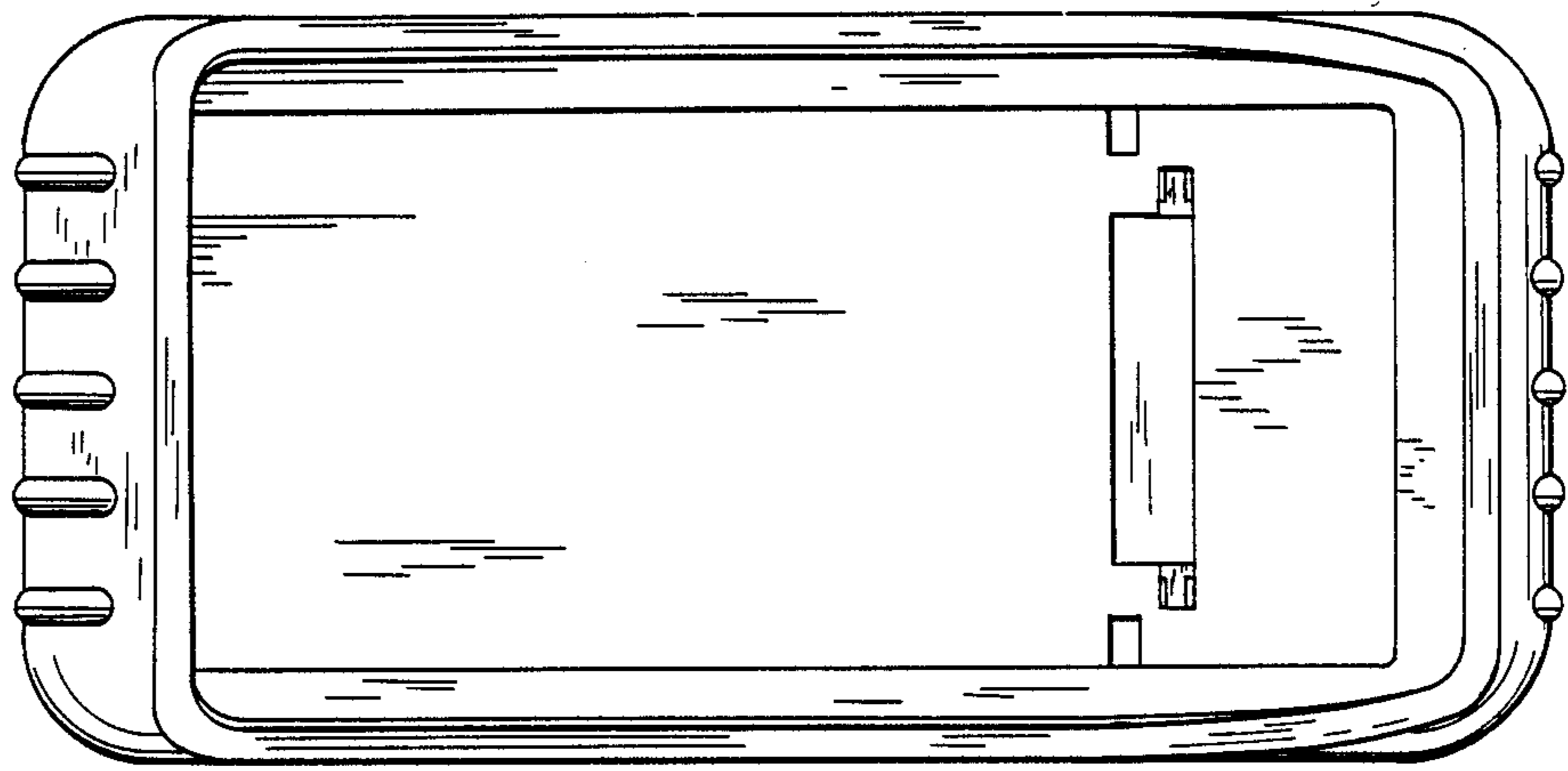


Fig. 1

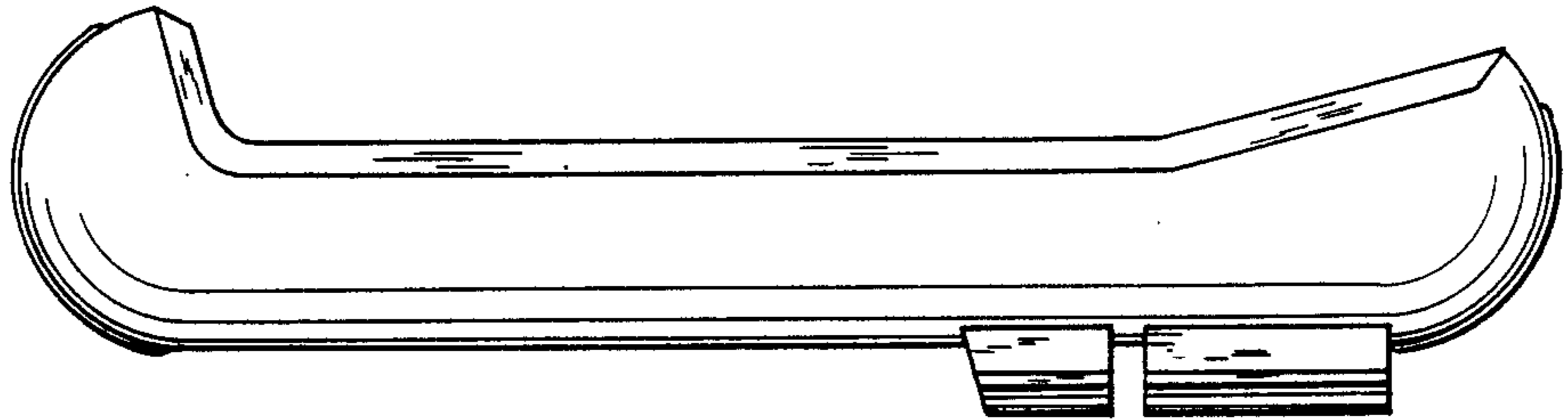


Fig. 2

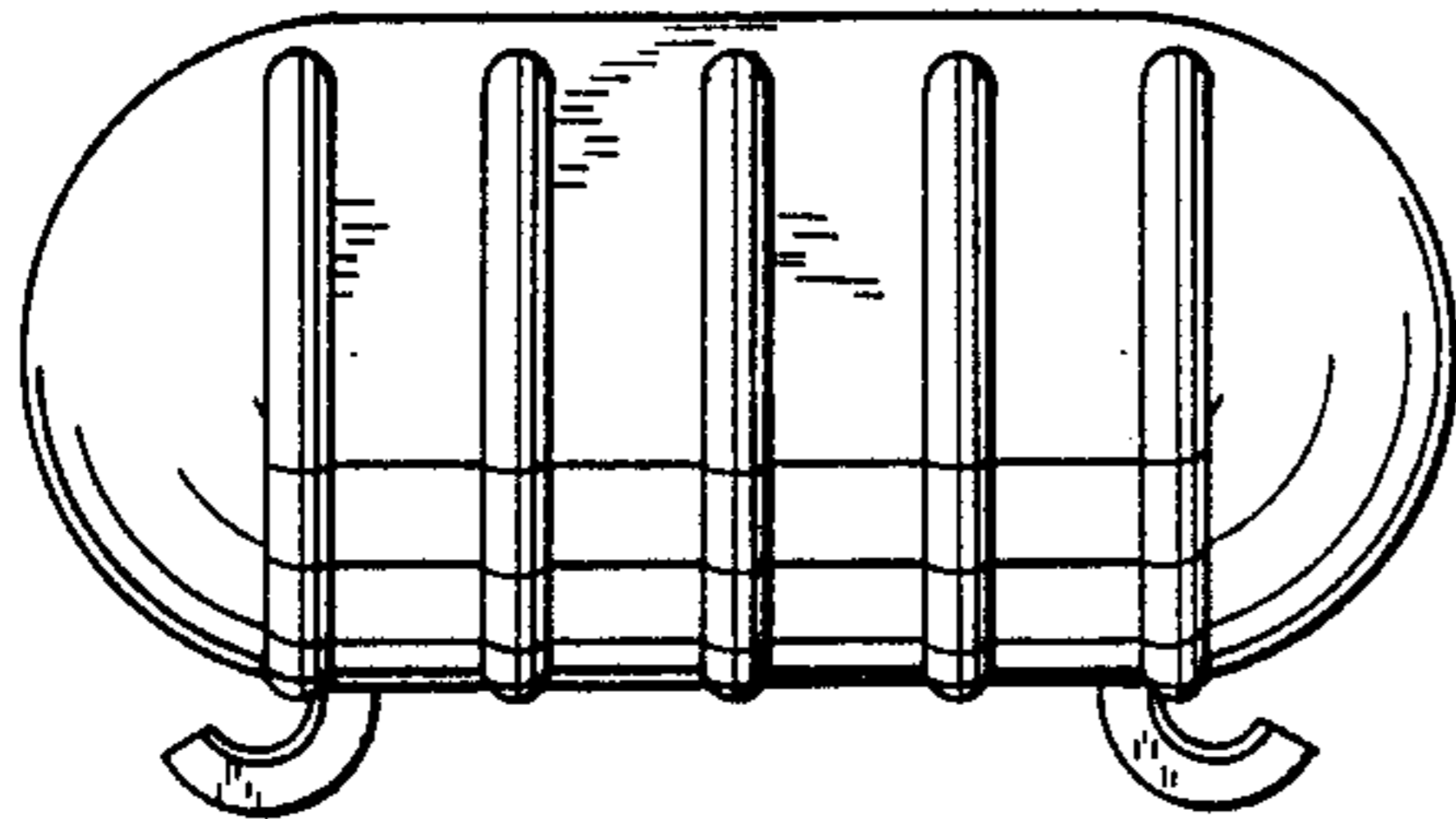


Fig. 3

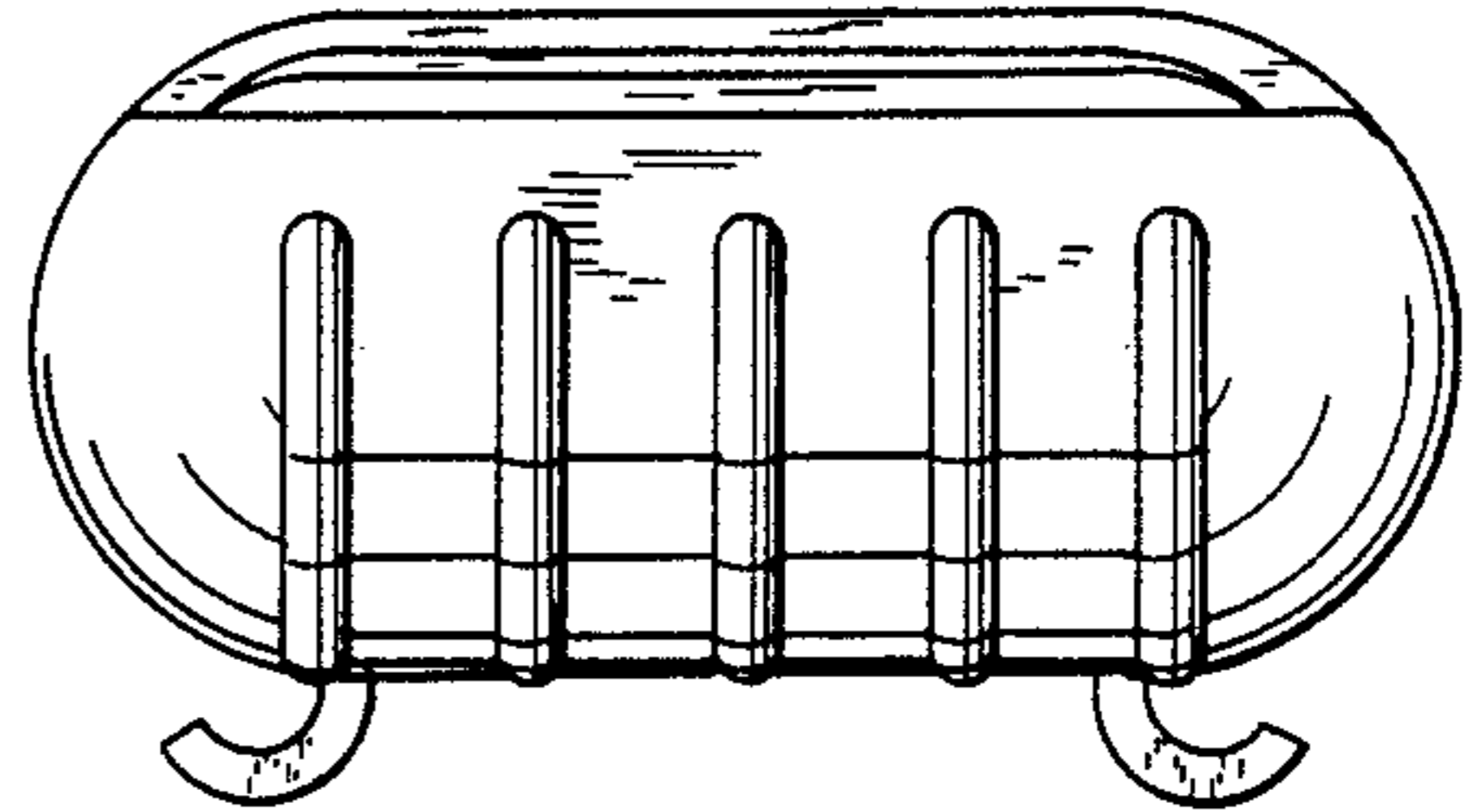


Fig. 4

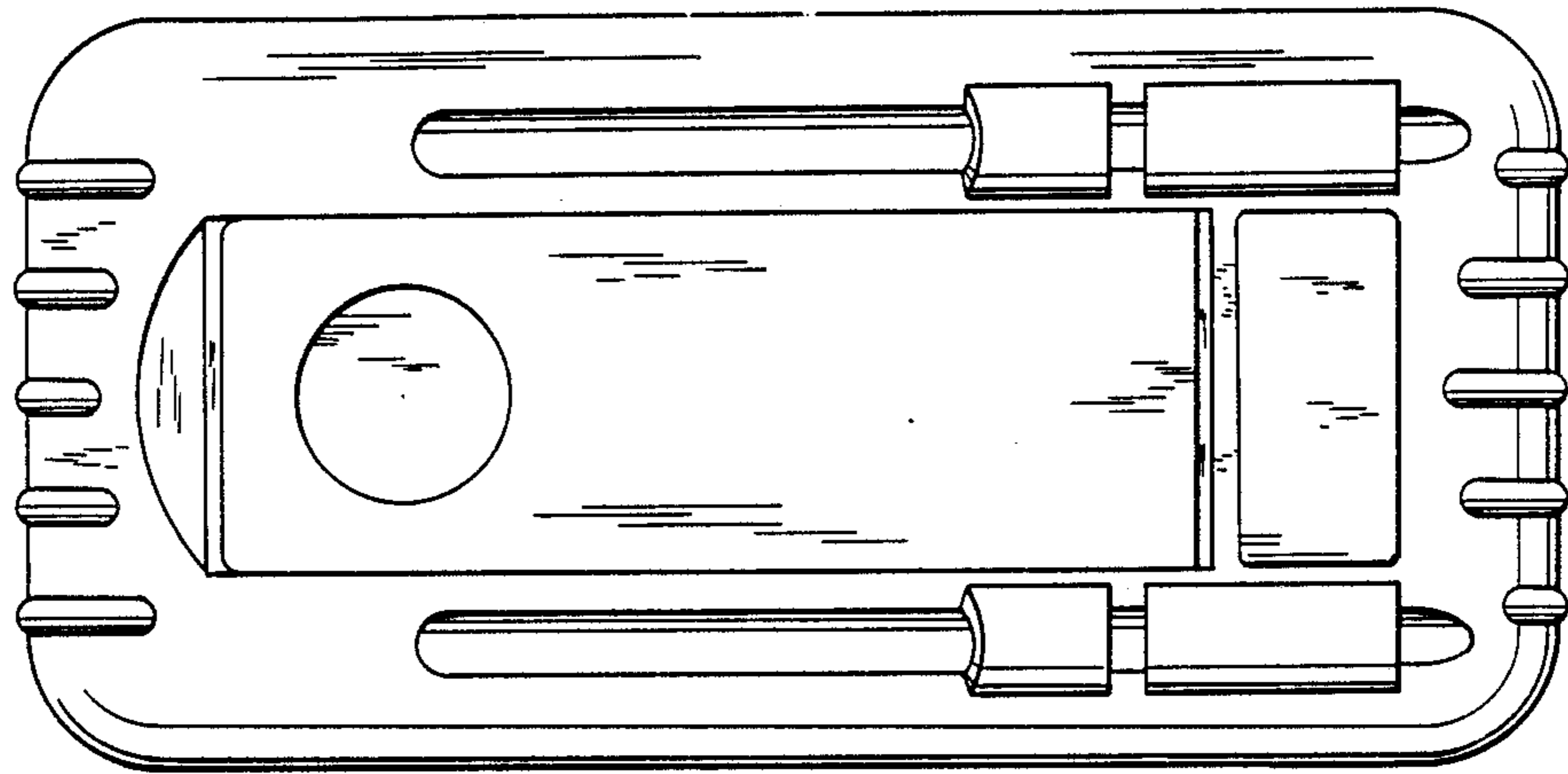


Fig. 5

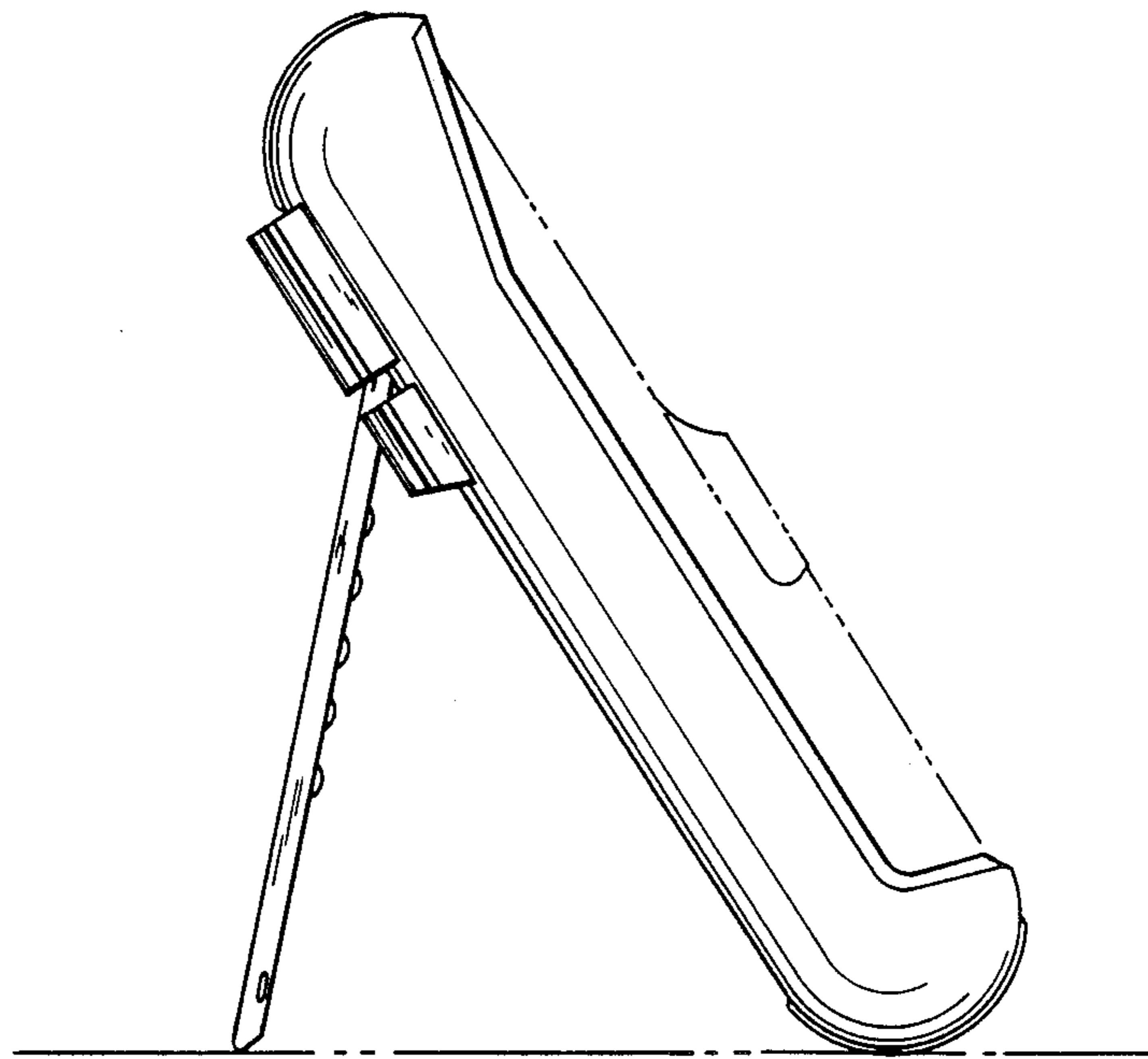


Fig. 6

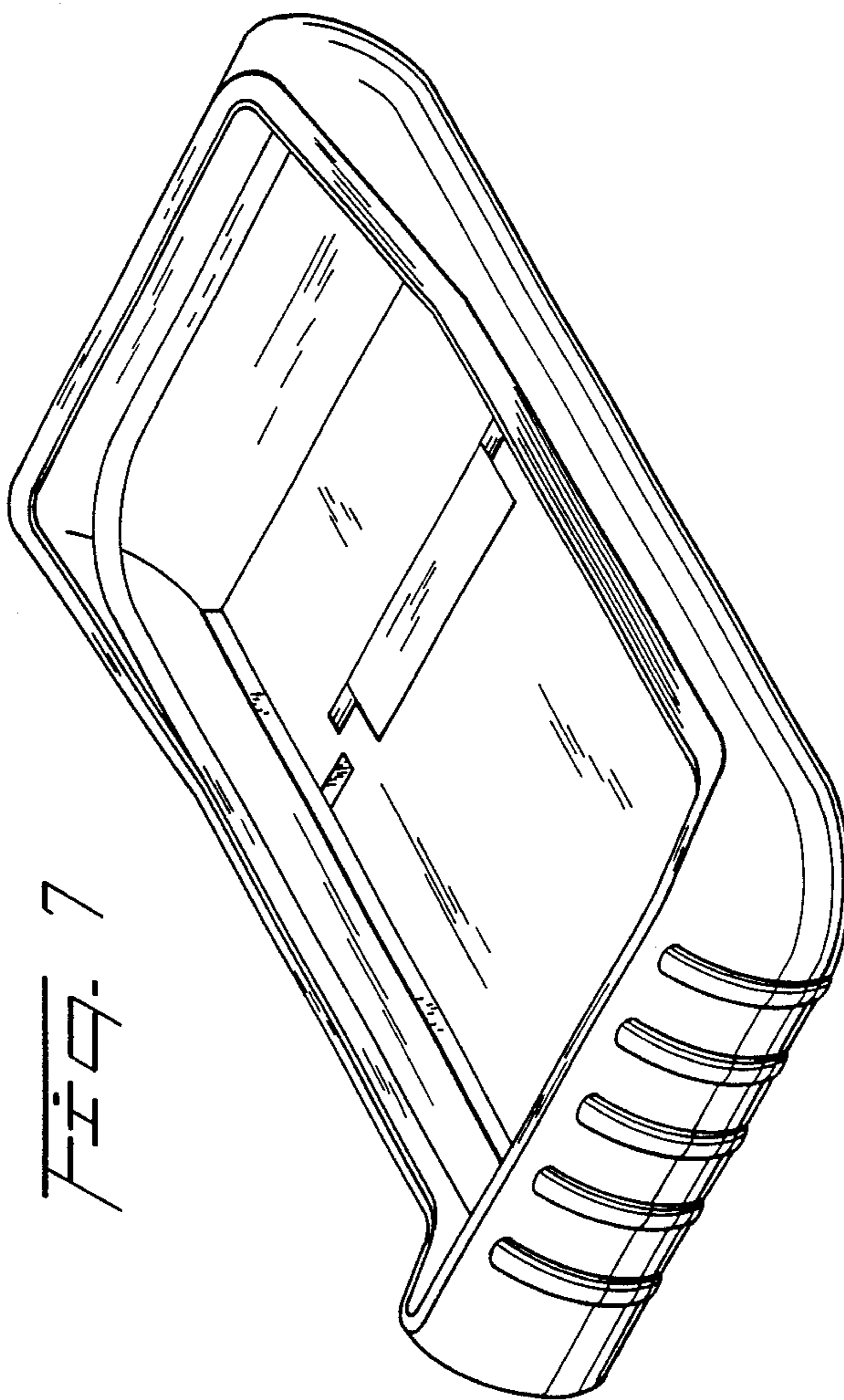


FIG. 7