

[54] **CREDIT CARD HOLDER**

[75] **Inventor: Kuno Prey, San Candido, Italy**

[73] **Assignee: Nava Milano S.P.A., Milan, Italy**

[**] **Term: 14 Years**

[21] **Appl. No.: 75,920**

[22] **Filed: Jul. 20, 1987**

[30] **Foreign Application Priority Data**

Jan. 23, 1987 [IT] Italy 20609/87[U]

[52] **U.S. Cl. D3/56; D19/27**

[58] **Field of Search D3/56-60;**
D11/78.1; D19/65, 75, 86, 88, 26, 27, 32, 33;
211/50, 69.8; 150/131, 132, 134, 138, 143-149

[56] **References Cited**

U.S. PATENT DOCUMENTS

D. 212,922 12/1968 Klosterman D19/27
D. 245,458 8/1977 Hauss et al. D3/56
D. 288,263 2/1987 Pagano D3/56

FOREIGN PATENT DOCUMENTS

1156540 5/1958 France D19/27

Primary Examiner—Louis S. Zarfes

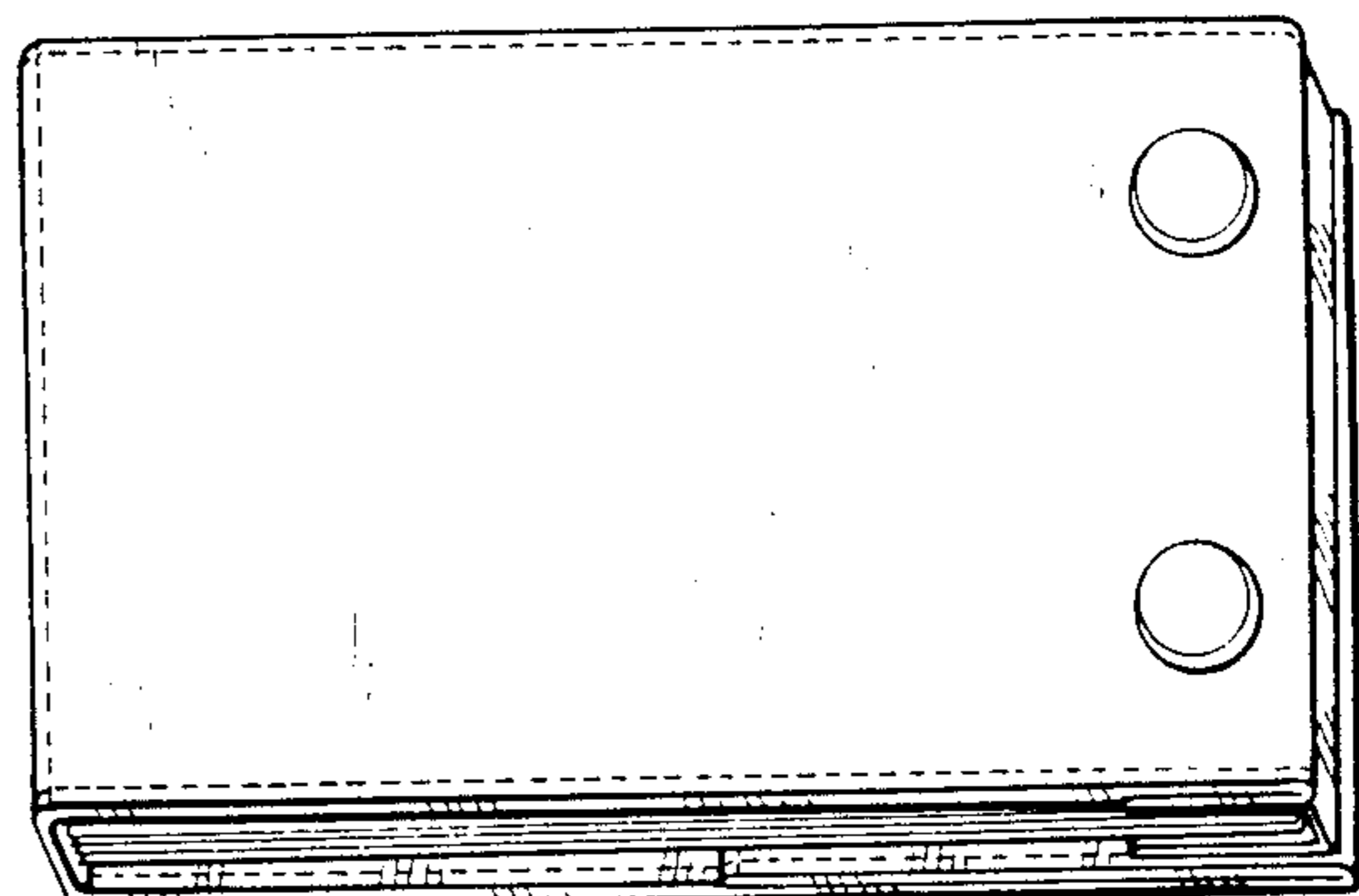
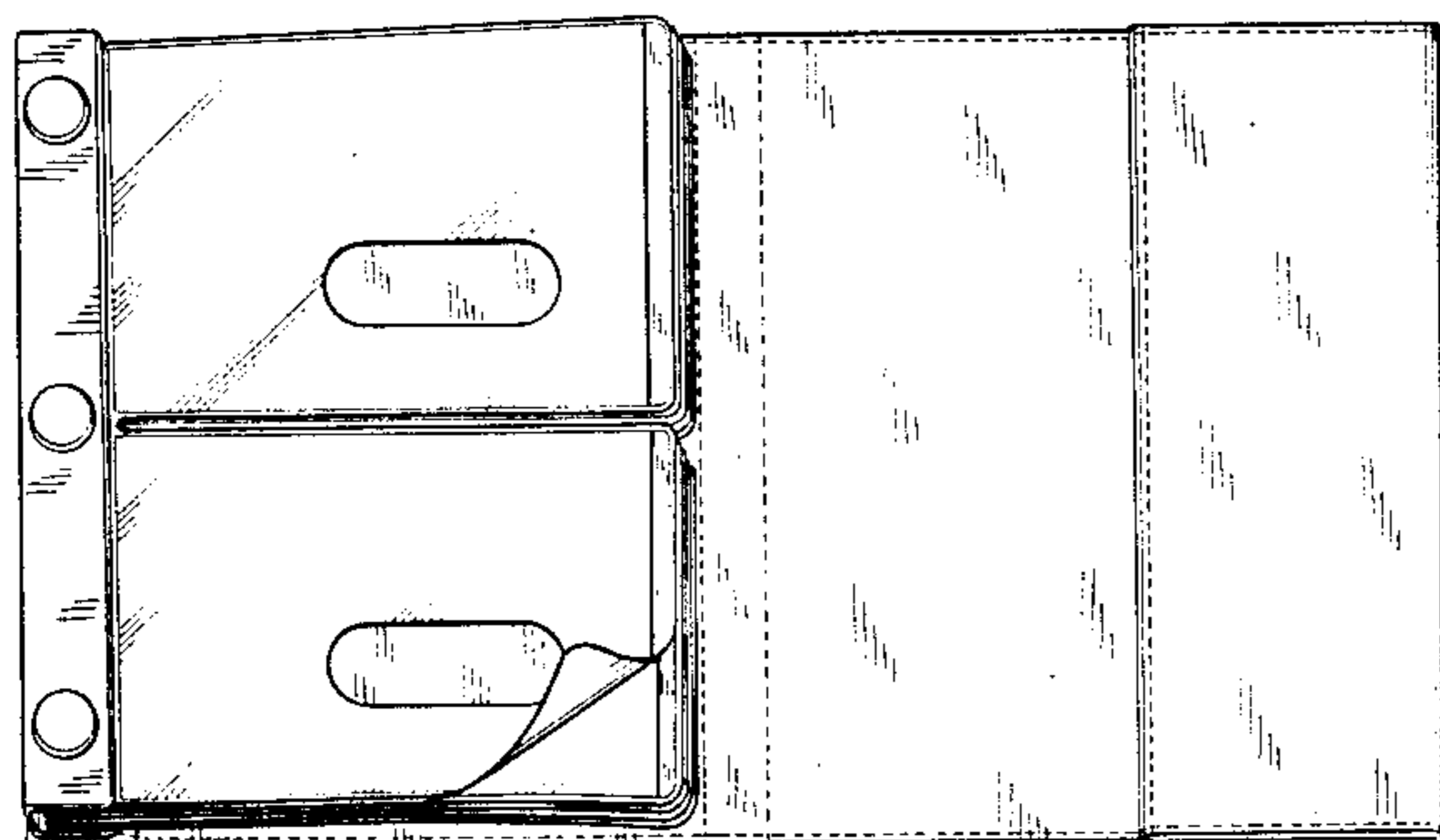
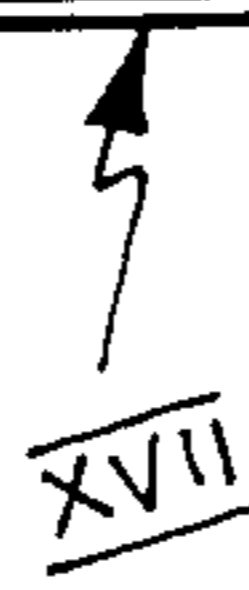
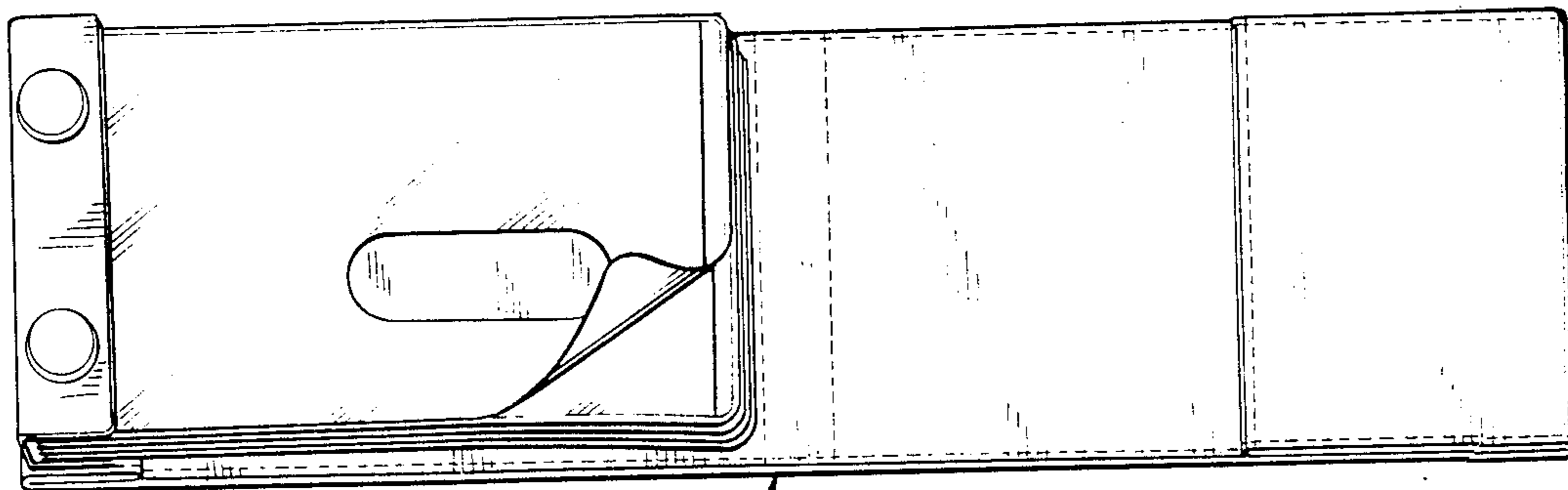
Attorney, Agent, or Firm—Guido Modiano; Albert Josif

[57] **CLAIM**

The ornamental design for a credit card holder, as shown and described.

DESCRIPTION

FIG. 1 is a perspective view of a credit card holder, in a closed condition, showing my new design;
FIG. 2 is a perspective view thereof in an open condition;
FIG. 3 is a top plan view;
FIG. 4 is a bottom plan view;
FIG. 5 is a left side elevational view;
FIG. 6 is a right side elevational view;
FIG. 7 is a front elevational view;
FIG. 8 is a rear elevational view;
FIG. 9 is a perspective view of a credit card holder, in a closed condition, showing an alternate embodiment of my new design;
FIG. 10 is a perspective view thereof in an open condition;
FIG. 11 is a top plan view thereof;
FIG. 12 is a bottom plan view thereof;
FIG. 13 is a left side elevational view thereof;
FIG. 14 is a right side elevational view thereof;
FIG. 15 is a front elevational view thereof;
FIG. 16 is a rear elevational view thereof; and
FIG. 17 is a fragmentary perspective detail view, to an enlarged scale, of the seams provided thereon, at the arrow XVII of FIG. 2.



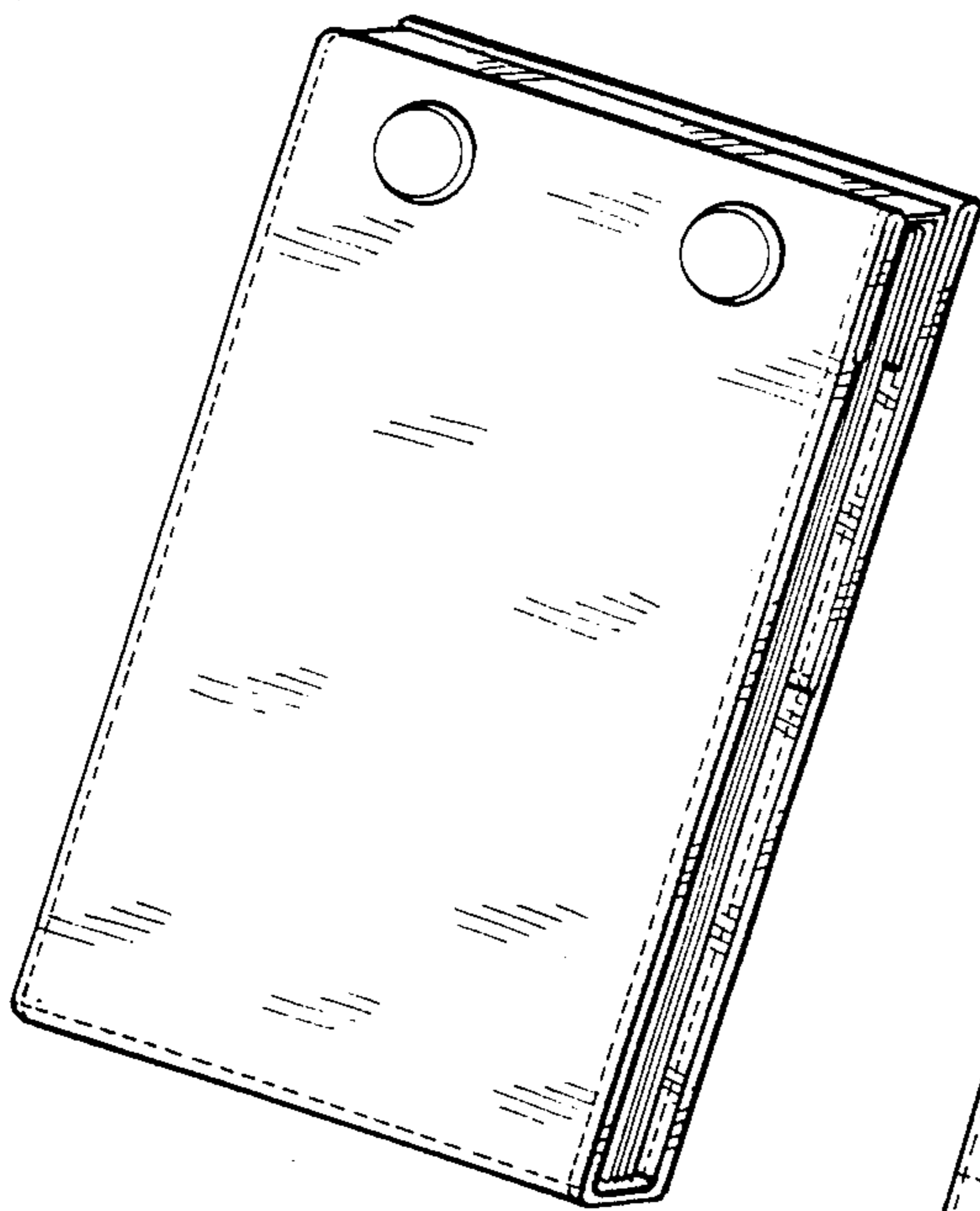
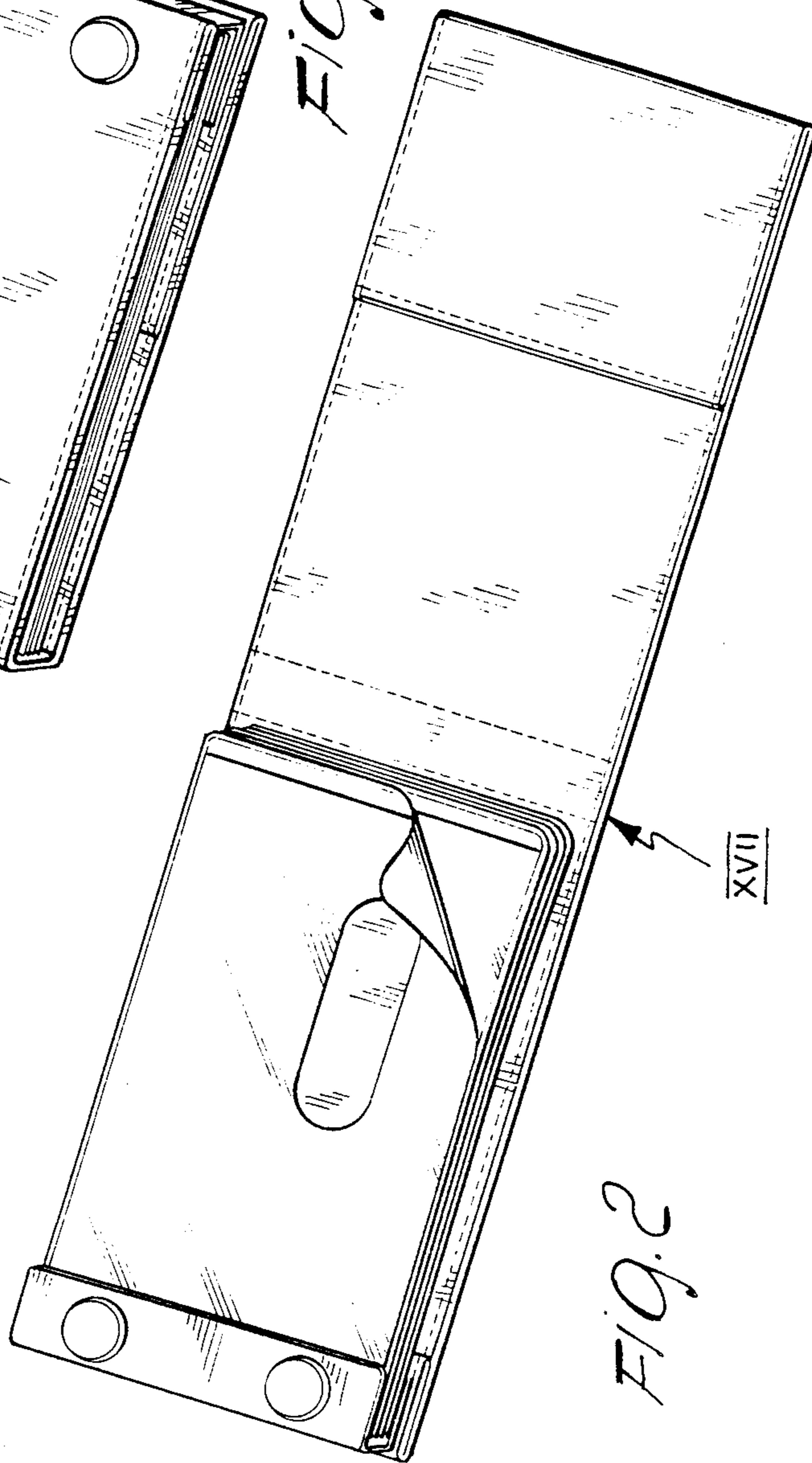


FIG. 1



XVII

FIG. 2

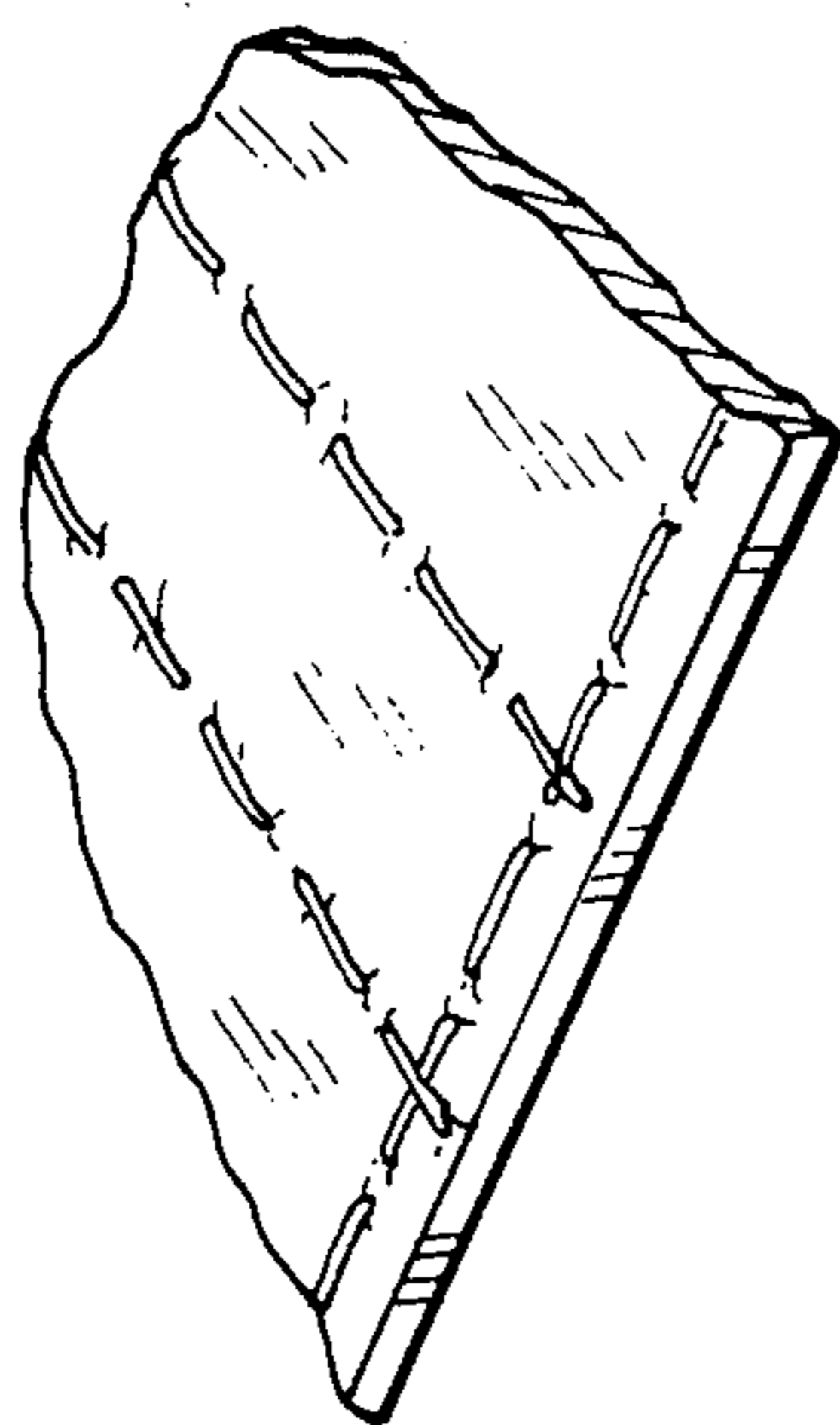


FIG. 17

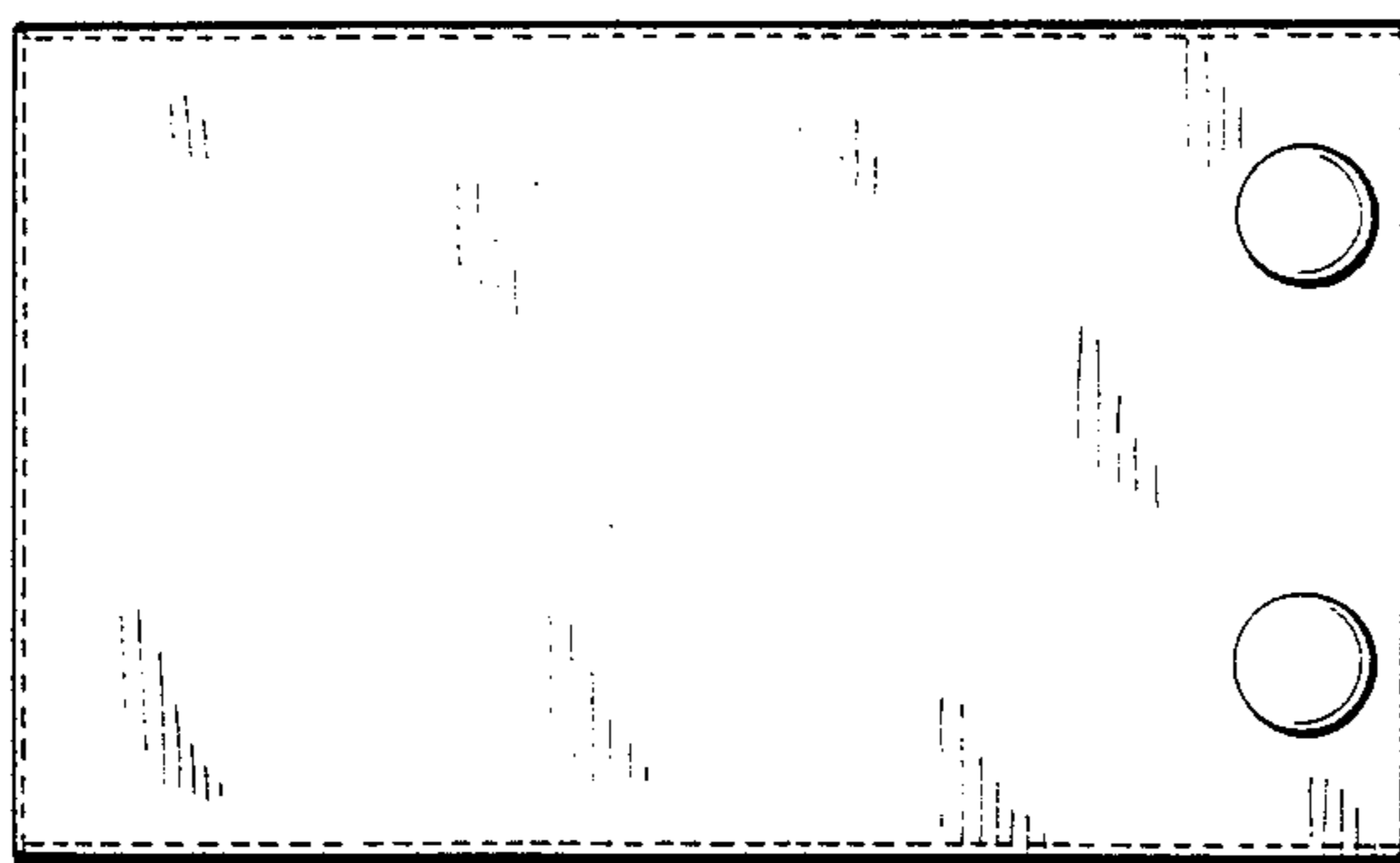


FIG. 3

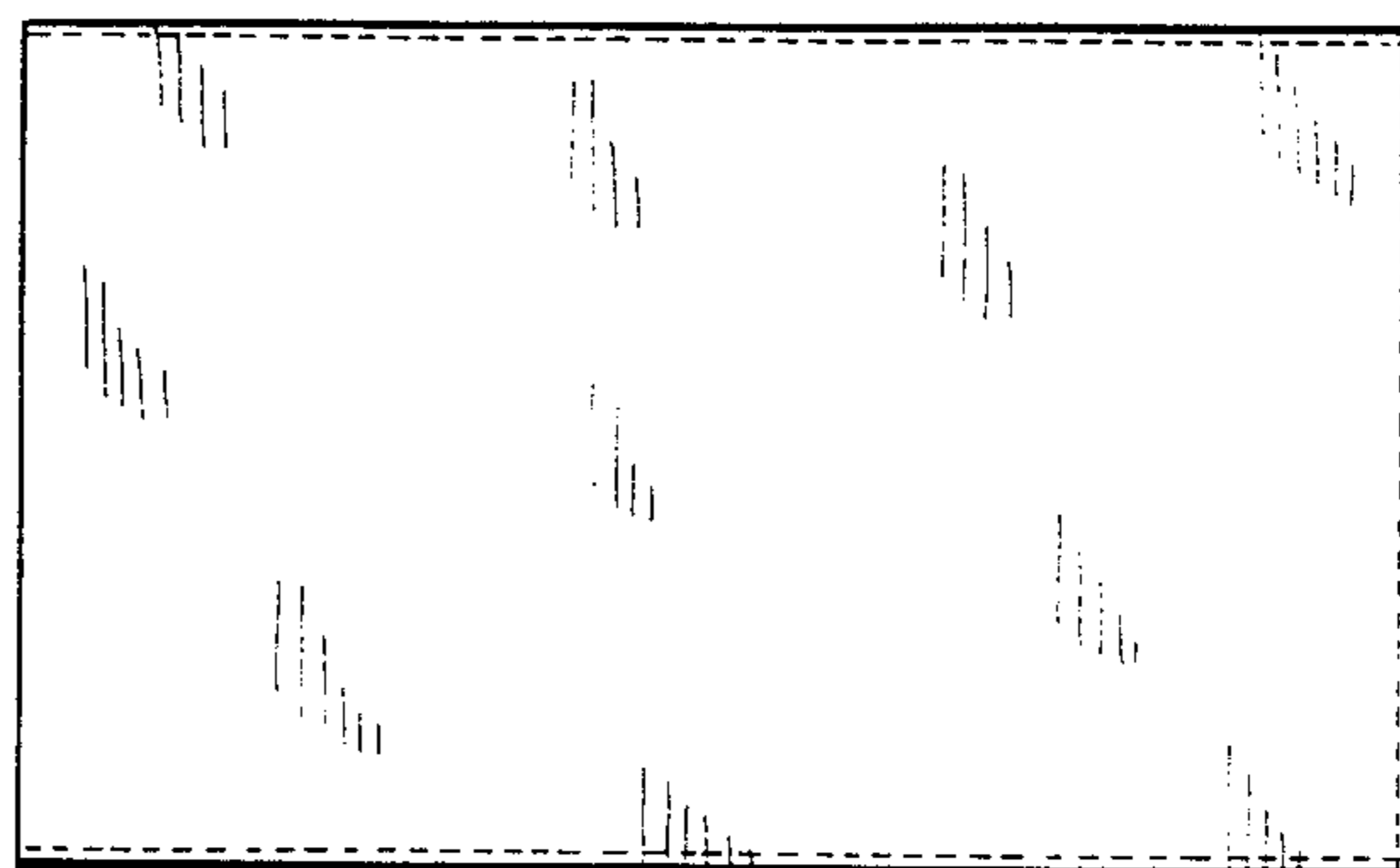


FIG. 4



FIG. 5

FIG. 6

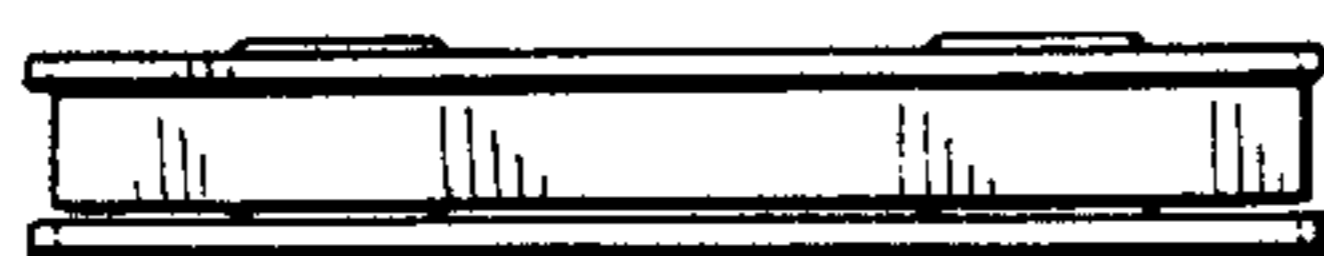
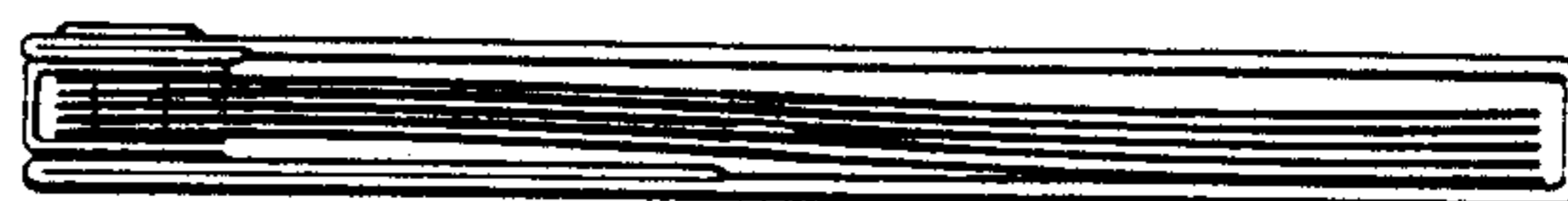


FIG. 7

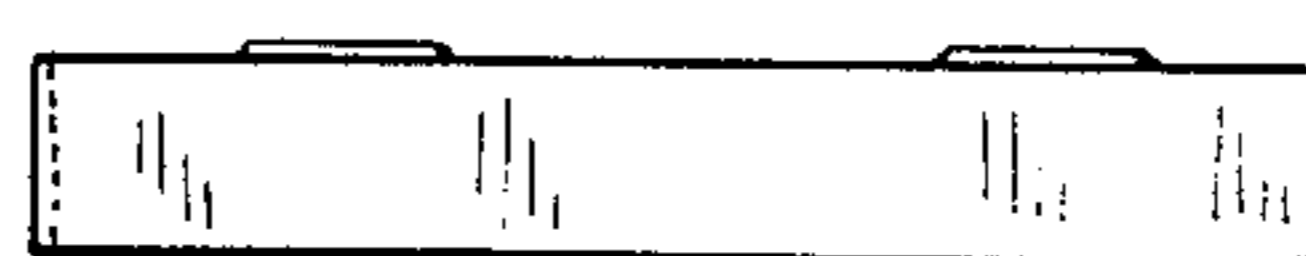


FIG. 8

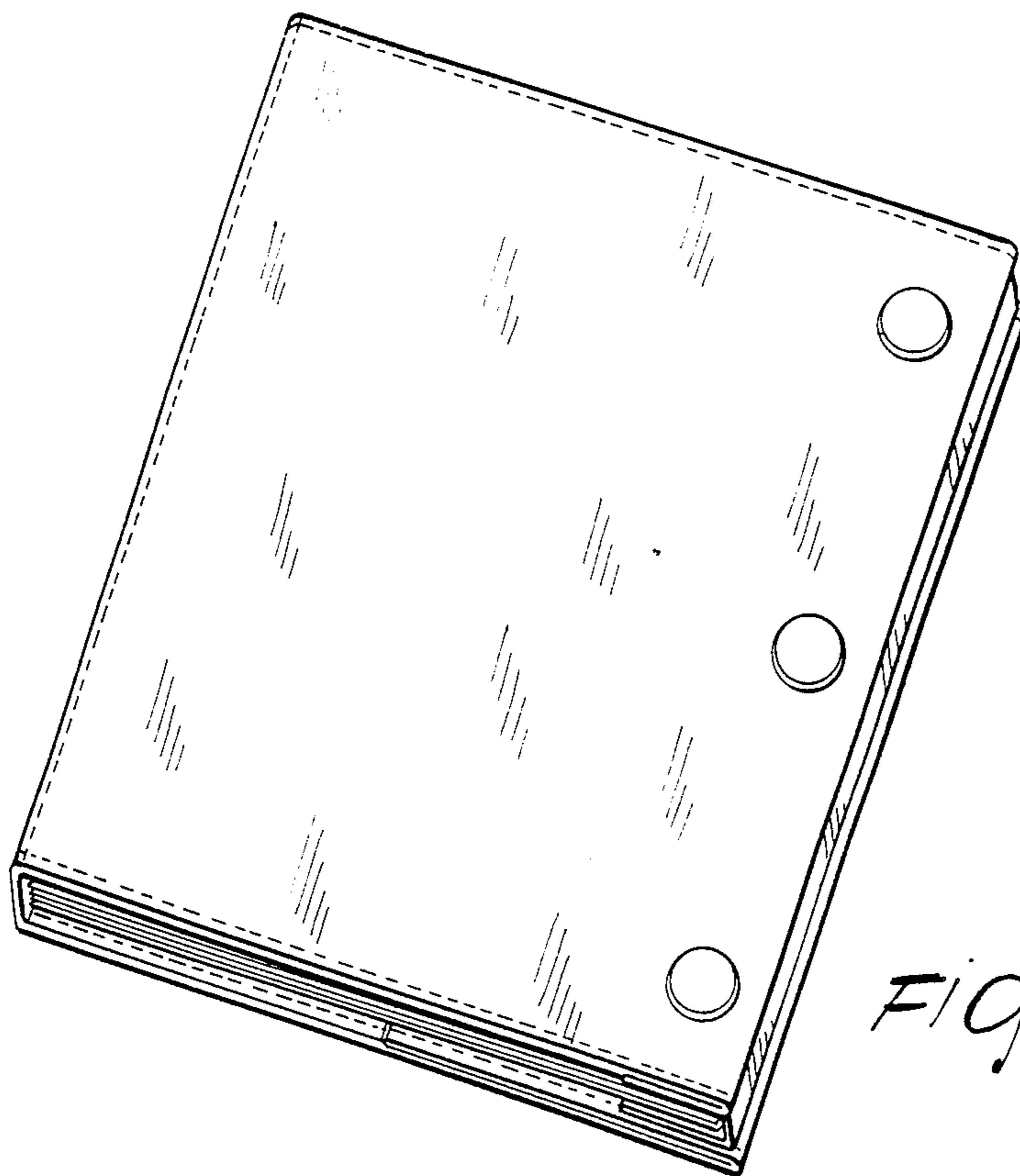


FIG. 9

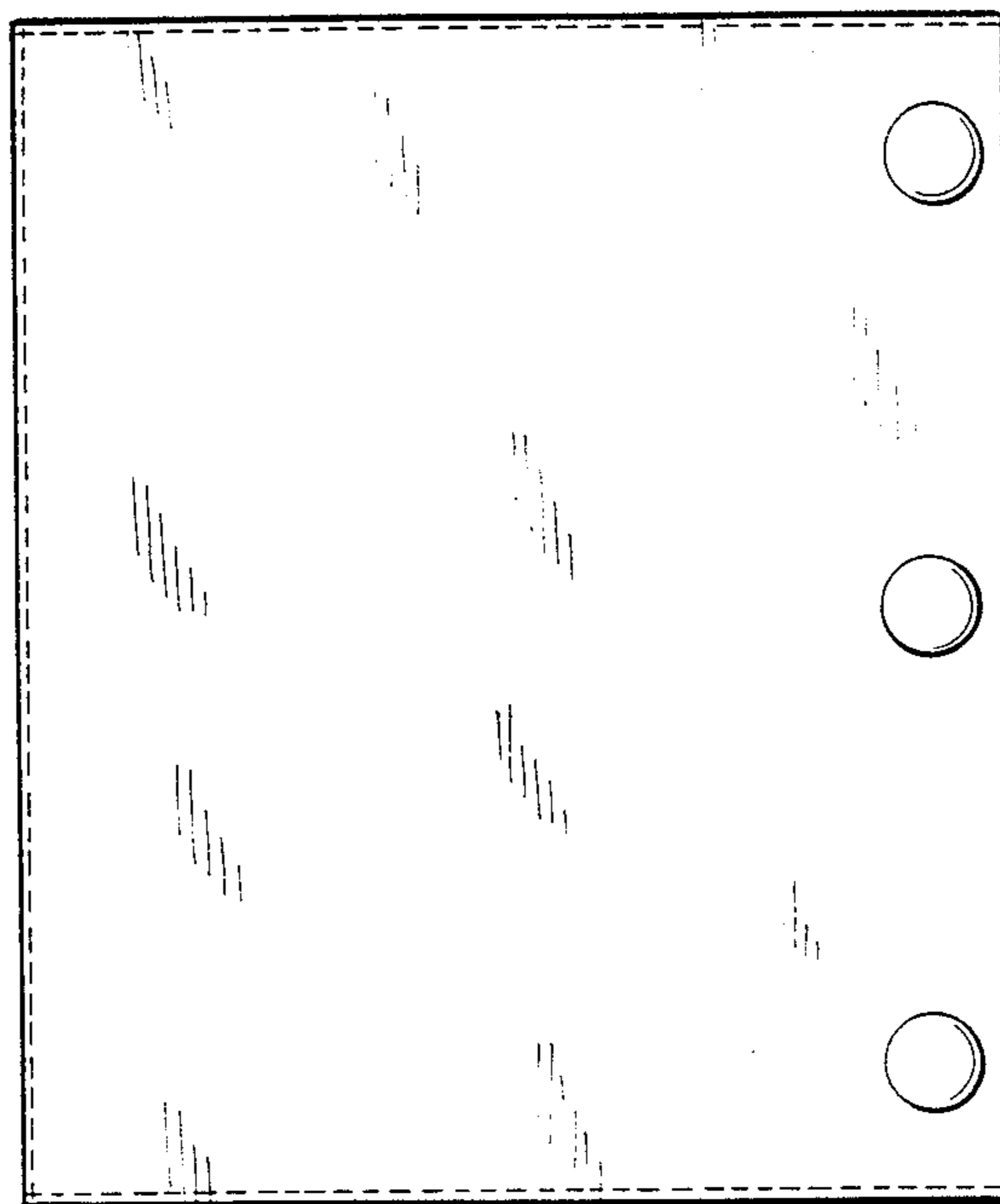


FIG. 11

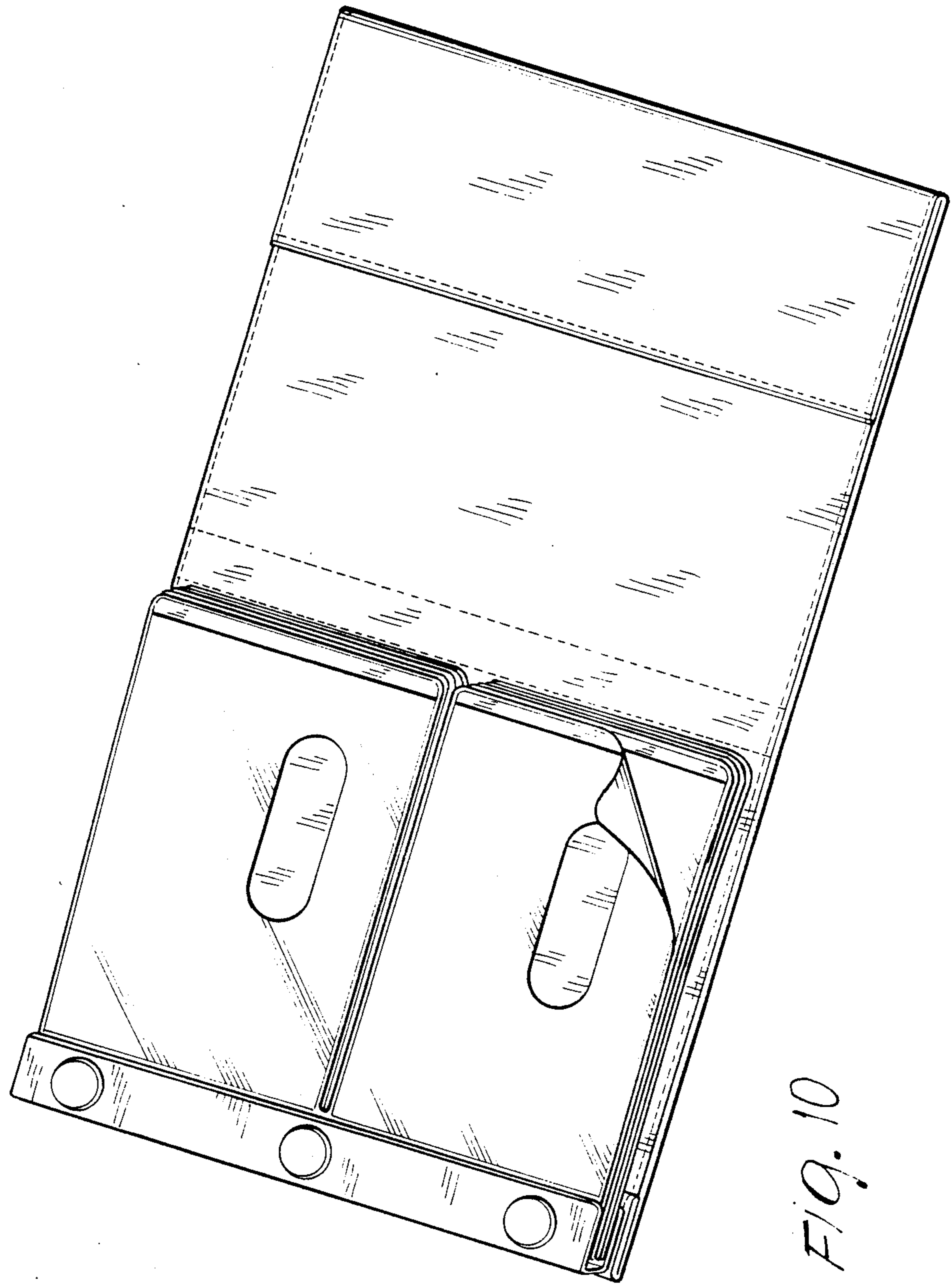


FIG. 10

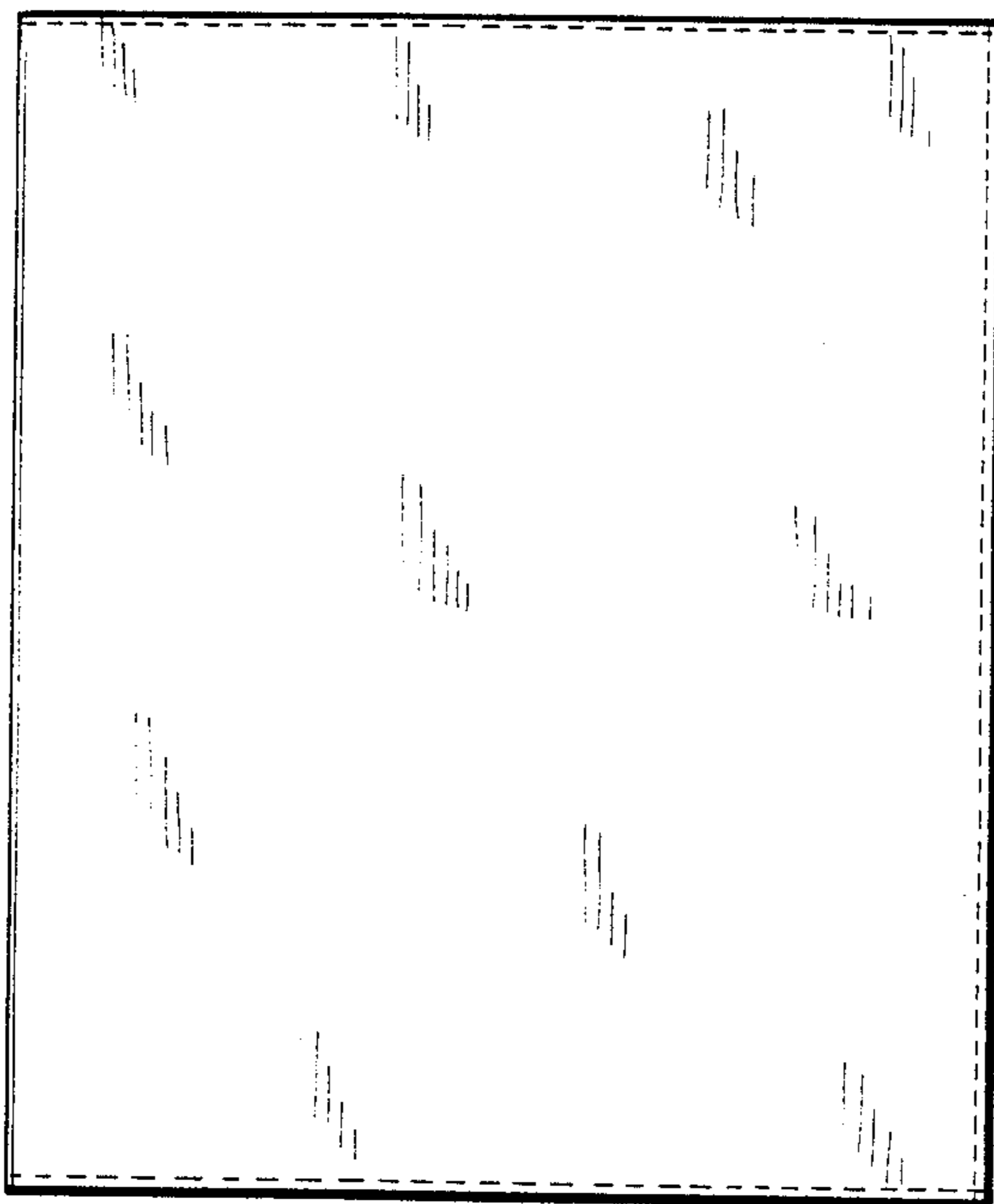


Fig. 12

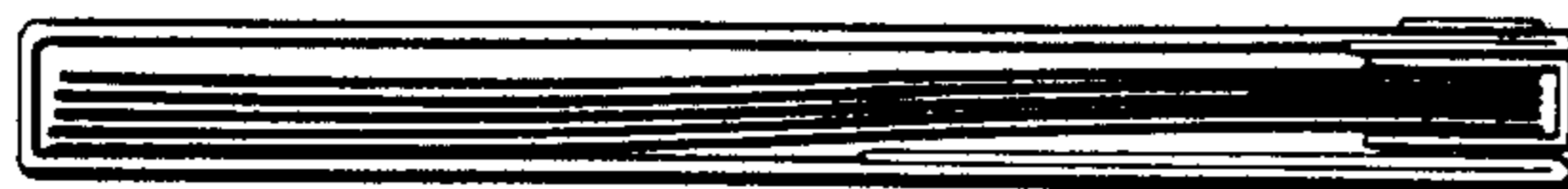


Fig. 13

Fig. 14

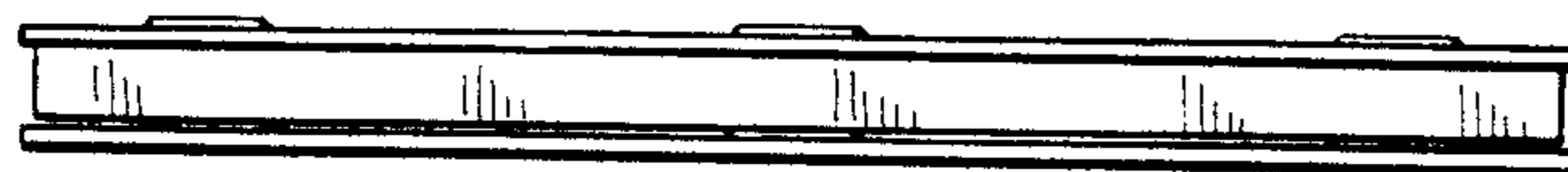
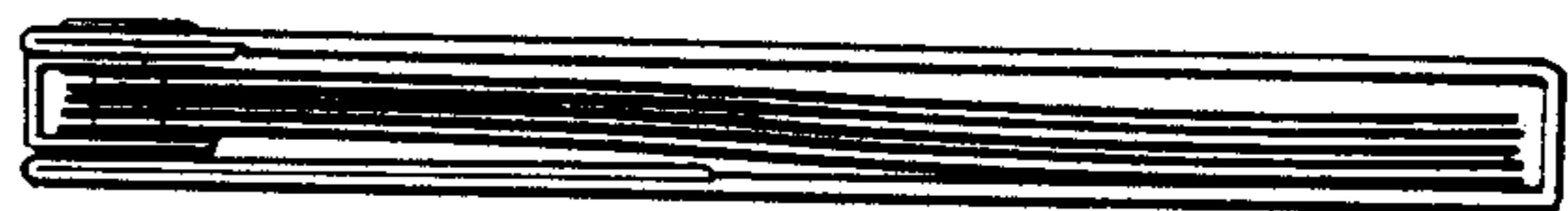


Fig. 15



Fig. 16