

[54] **SPIKE SOLE FOR A SHOE OR SIMILAR ARTICLE**

[76] **Inventor: Fred Ihlenburg, 25 Davinci, Lake Oswego, Oreg. 97034**

[**] **Term: 14 Years**

[21] **Appl. No.: 154,613**

[22] **Filed: Feb. 10, 1988**

[52] **U.S. Cl. D2/320; D2/311; D2/317**

[58] **Field of Search D2/264, 265, 274, 311, D2/317-321; 36/25 R, 28, 29, 30 R, 32 R, 43, 59 R, 59 B, 59 C, 80, 83 R, 102, 103**

[56] **References Cited**

U.S. PATENT DOCUMENTS

Re. 6,421	5/1875	Prusha .	
Re. 6,438	5/1875	Hussey .	
170,016	11/1875	Rice .	
D. 278,759	5/1985	Norton et al.	D2/320
D. 278,760	5/1985	Norton et al.	D2/320
1,370,797	3/1921	Egerton .	
1,391,346	9/1921	Schwarzer .	
2,040,186	10/1931	Riddell .	
2,678,507	7/1952	Dye .	
3,028,689	12/1959	Dassler .	
3,127,687	4/1964	Hollister et al. .	
3,757,434	9/1973	Granger, Jr. .	
4,392,312	7/1983	Crowley et al.	36/59 R X

4,393,604	7/1983	Crowley .	
4,454,662	6/1984	Stubblefield	36/102 X
4,559,724	12/1985	Norton	36/114 X
4,574,498	3/1986	Norton et al.	36/114
4,597,199	7/1986	Hong	36/114

Primary Examiner—Louis S. Zarfaz
Attorney, Agent, or Firm—Cushman, Darby & Cushman

[57] **CLAIM**

The ornamental design for a spike sole for a shoe or similar article, as shown and described.

DESCRIPTION

FIG. 1 is a bottom plan view of a spike sole for a shoe or similar article showing my new design; FIG. 2 is a top plan view taken after rotating the sole 180° from the position shown in FIG. 1; FIG. 3 is a side, elevational view taken after rotating the sole 90° from the position shown in FIG. 2; FIG. 4 is a front elevational view of the spike sole in FIG. 3; FIG. 5 is a bottom, plan view of another embodiment of my new spike sole design; FIG. 6 is a front, elevational view of the second embodiment of my new spike sole design; and FIG. 7 is a side, elevational view of the second embodiment of my new spike sole design taken after rotating the sole 90° from the position shown in FIG. 2. The broken line showing a shoe upper in FIGS. 1 and 3-7 is for illustrative purposes only and forms no part of the claimed design.

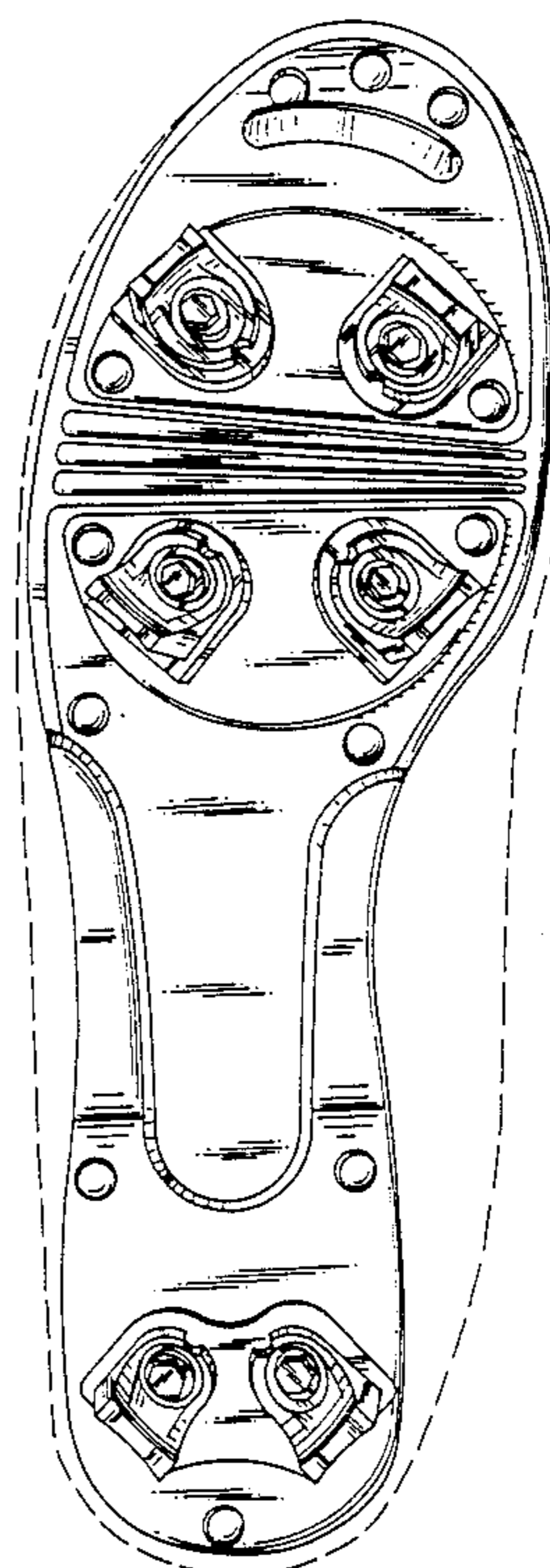
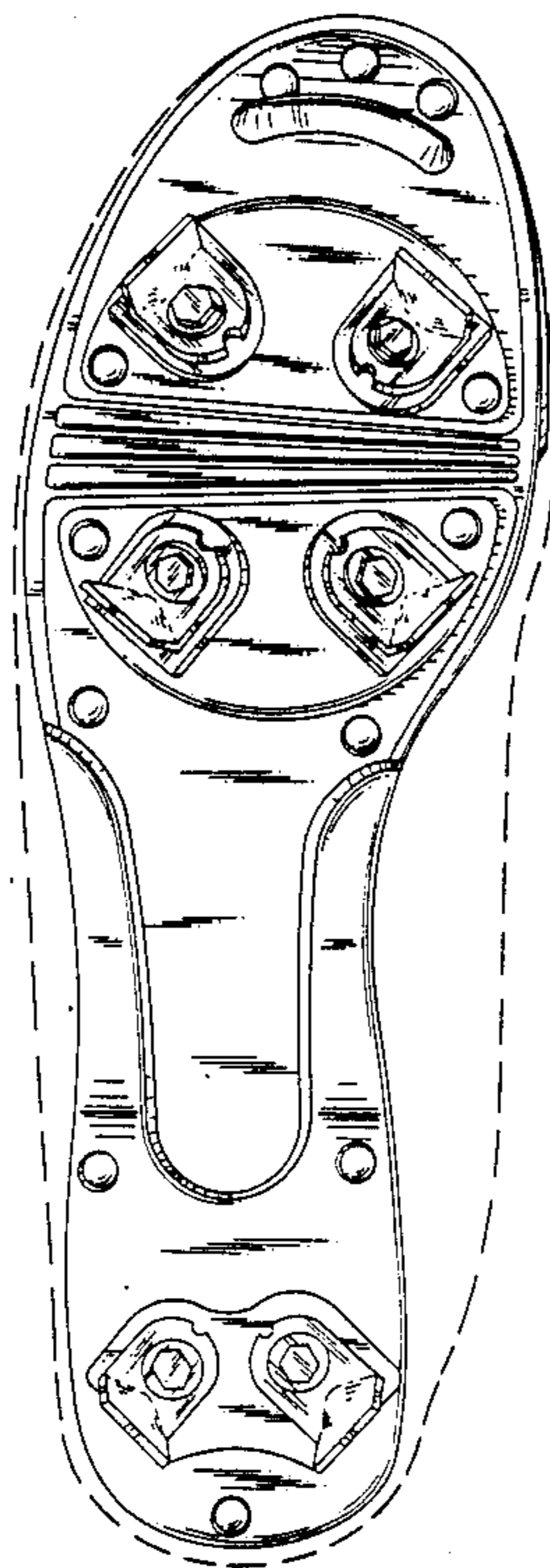


FIG. 1

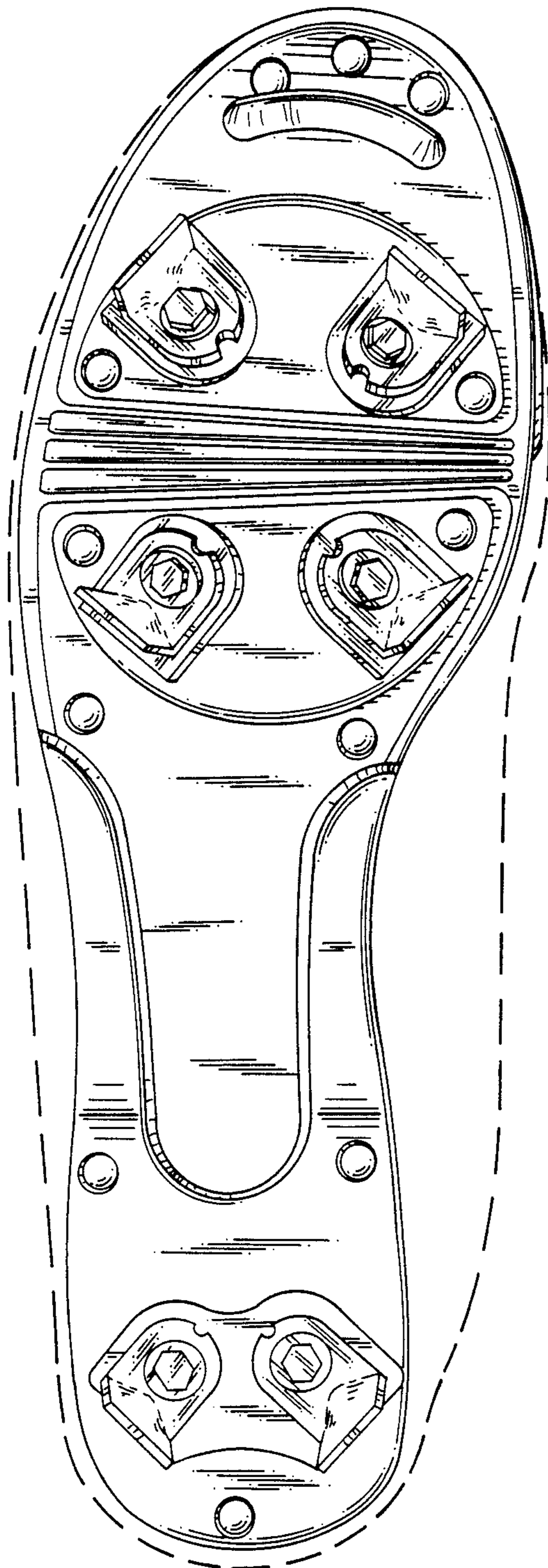
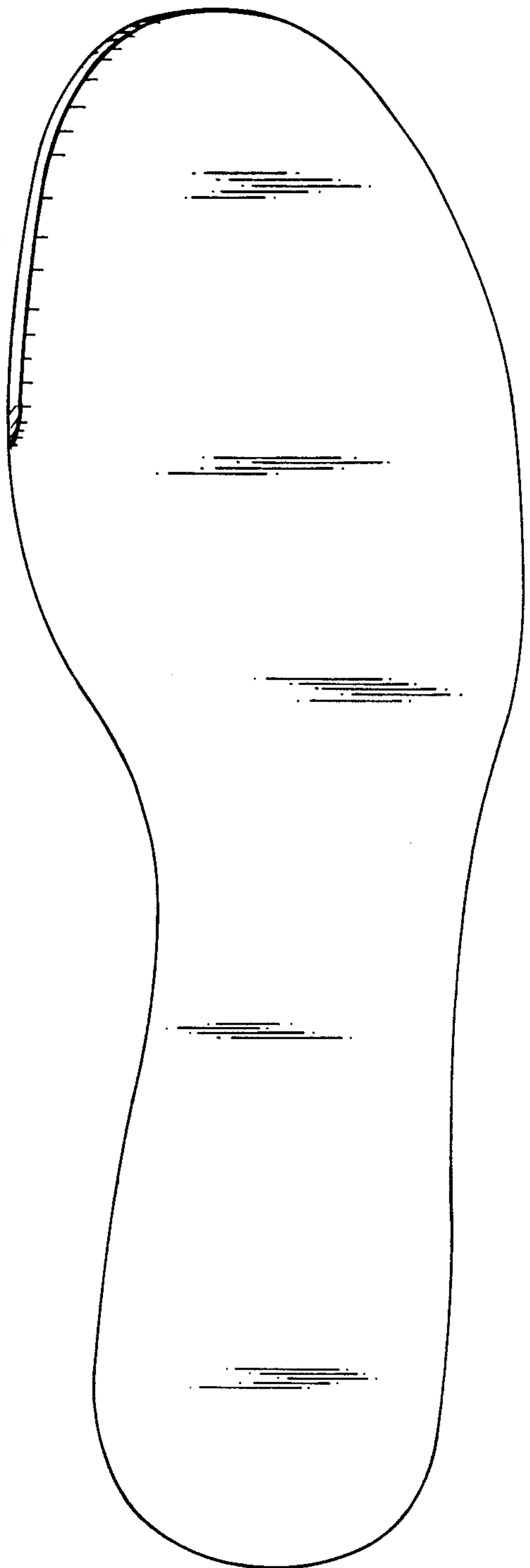


FIG. 2



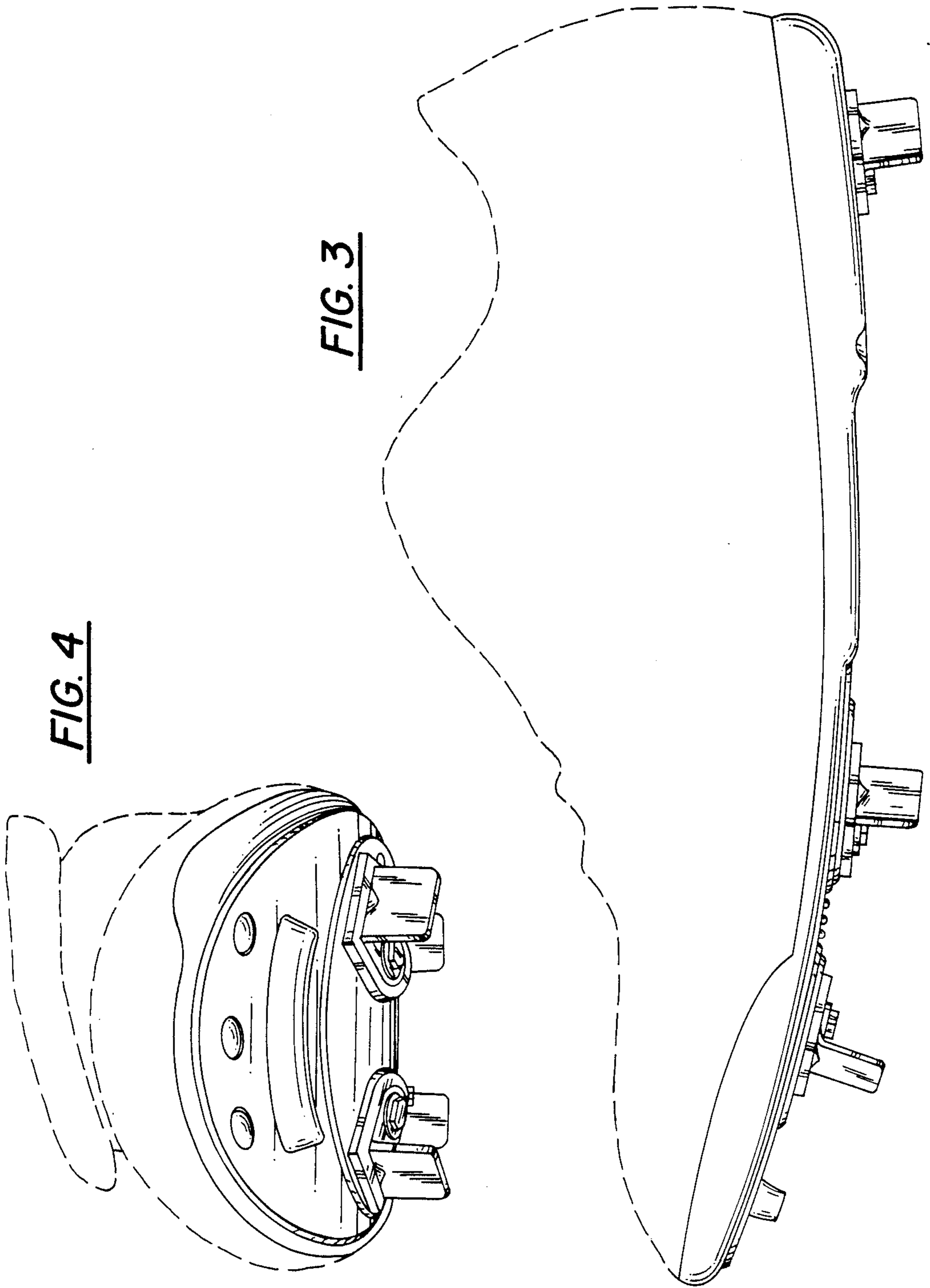
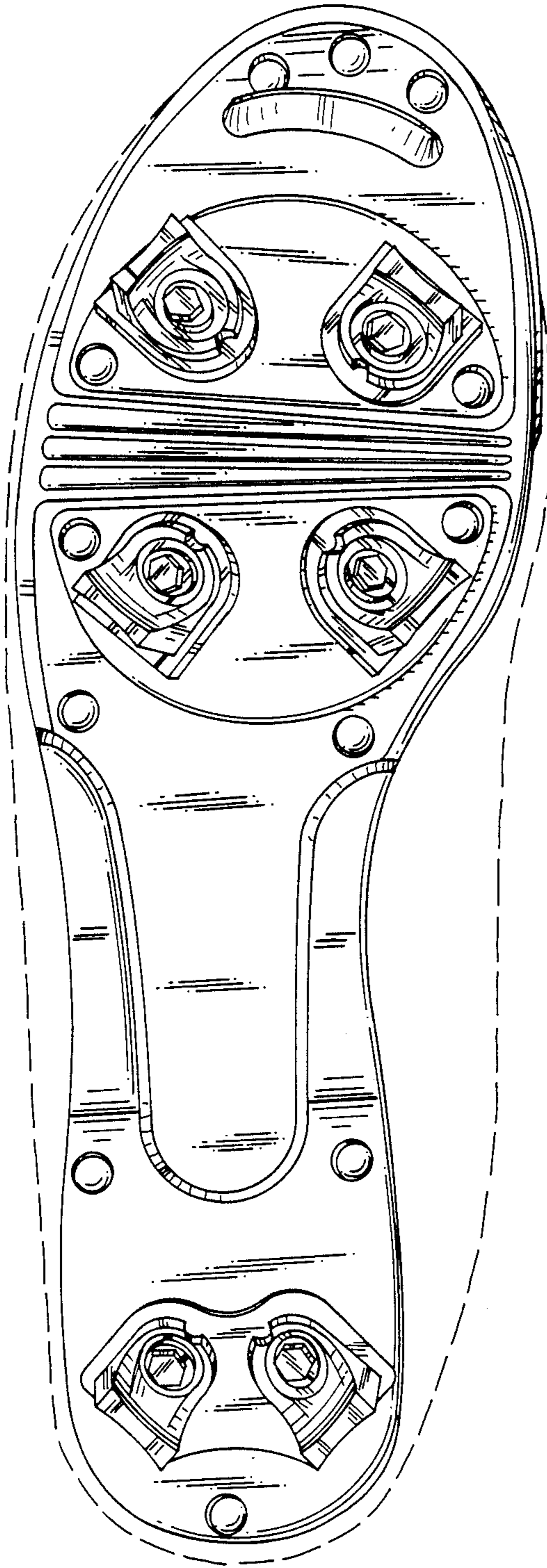


FIG. 5



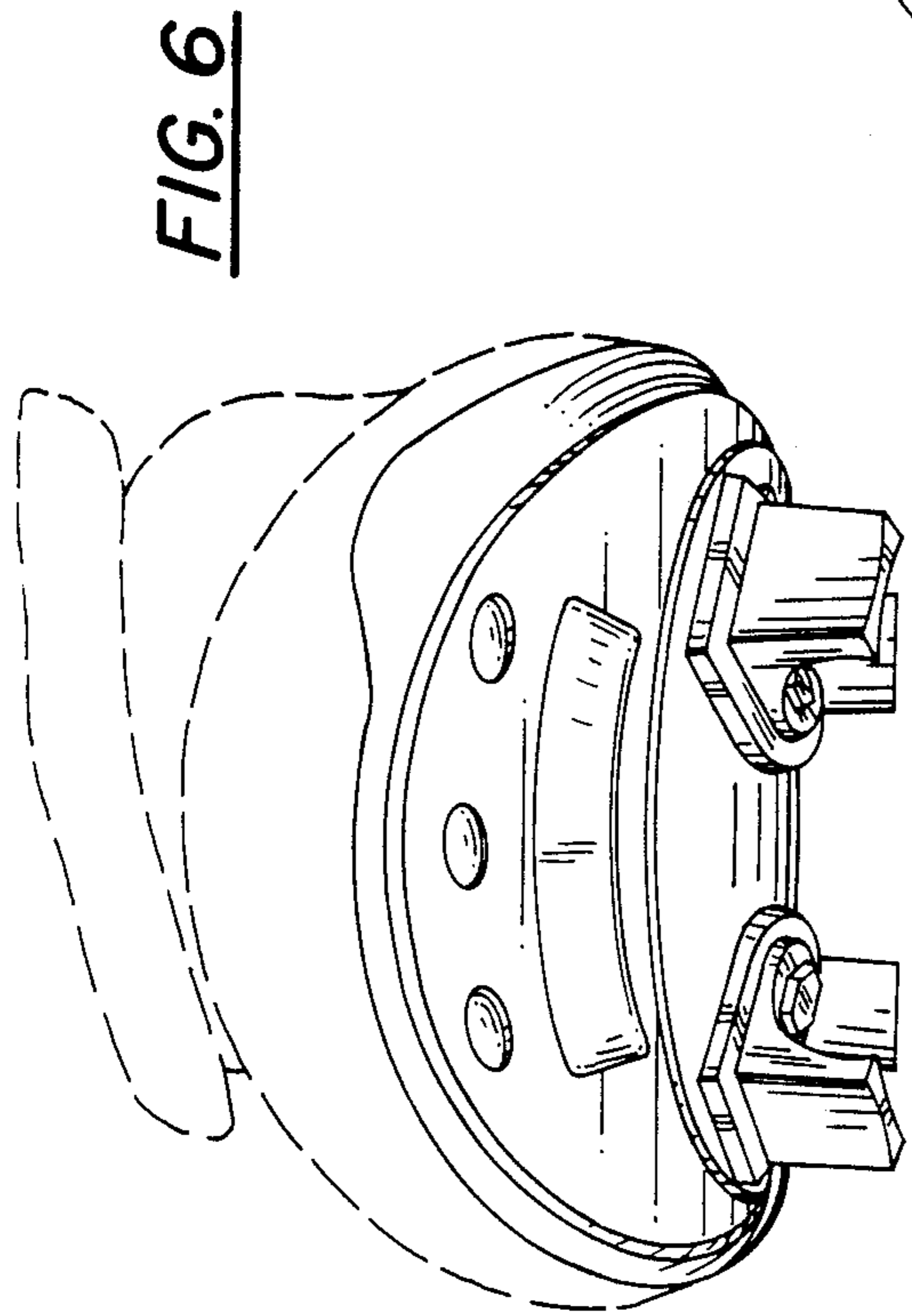


FIG. 7

