

[54] TRASH CONTAINER WITH DOME LID

[75] Inventors: Paul E. Delmerico, Winchester; Eric Gingras, Cross Junction; Greg P. Terek, Winchester, all of Va.

[73] Assignee: Rubbermaid Commercial Products Inc., Winchester, Va.

[**] Term: 14 Years

[21] Appl. No.: 240,076

[22] Filed: Sep. 2, 1988

[52] U.S. Cl. D34/7; D34/11

[58] Field of Search D34/1, 11, 5; 220/1 T; 232/1 R, 43.1, 43.3, 43.4, 43.2; 40/611, 606; D23/351

[56] References Cited

U.S. PATENT DOCUMENTS

D. 120,270	4/1940	Martinez	D34/7
D. 223,956	6/1972	Kenerson	D34/7
D. 229,279	11/1973	Kay	D34/8
D. 234,288	2/1975	Kay	D34/8
D. 299,528	1/1989	Kessler et al.	D23/351
3,793,756	2/1974	Kay et al.	40/611
3,803,738	4/1974	Weiss	D34/1

OTHER PUBLICATIONS

Page 3, Howard Products, an United Marketing Inc.,

Company, 14th and Laurel Streets, Pottsville, Pa. 17901. Publication date 1986.

Pages 6 and 18, Landscape Forms, 431 Lawndale Avenue, Kalamazoo, Mich. 49001-9543. Publication date 1987.

Sell Sheet, Clean City Squares, Inc., P.O. Box 6797, St. Louis, Mo. 63144. Publication date May 10, 1982.

Primary Examiner—Kay H. Chin

Attorney, Agent, or Firm—Richard B. O’Planick

[57] CLAIM

The ornamental design for a trash container with dome lid, as shown and described.

DESCRIPTION

FIG. 1 is a top and front perspective view of a trash container with dome lid showing my new design, shown with two (2) side panels removed;

FIG. 2 is a top plan view thereof.

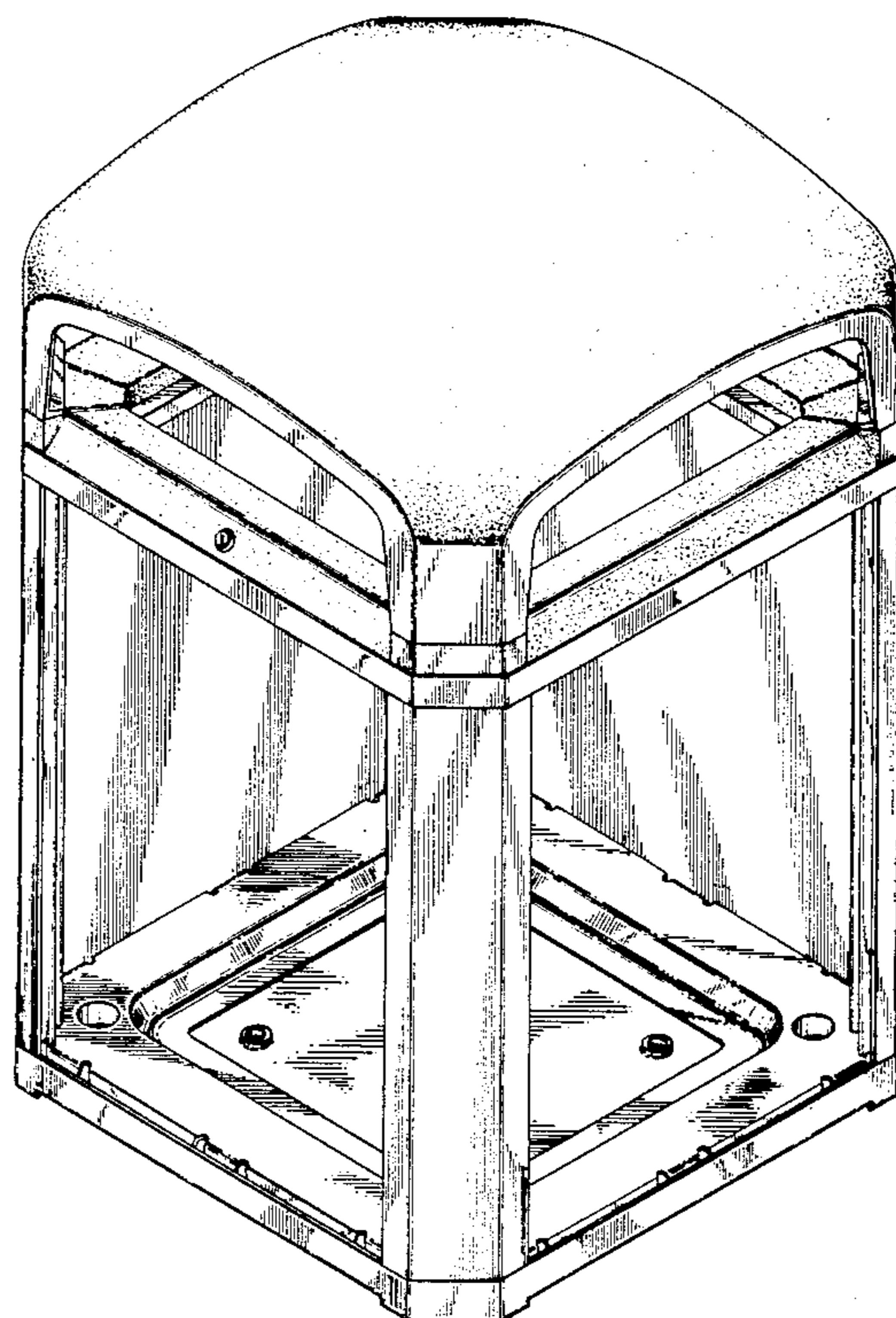
FIG. 3 is a bottom plan view thereof.

FIG. 4 is a front elevational view thereof.

FIG. 5 is a rear elevational view thereof.

FIG. 6 is a side elevational view thereof, the opposite side elevational view being a mirror image of that shown; and

FIG. 7 is a front perspective view thereof.



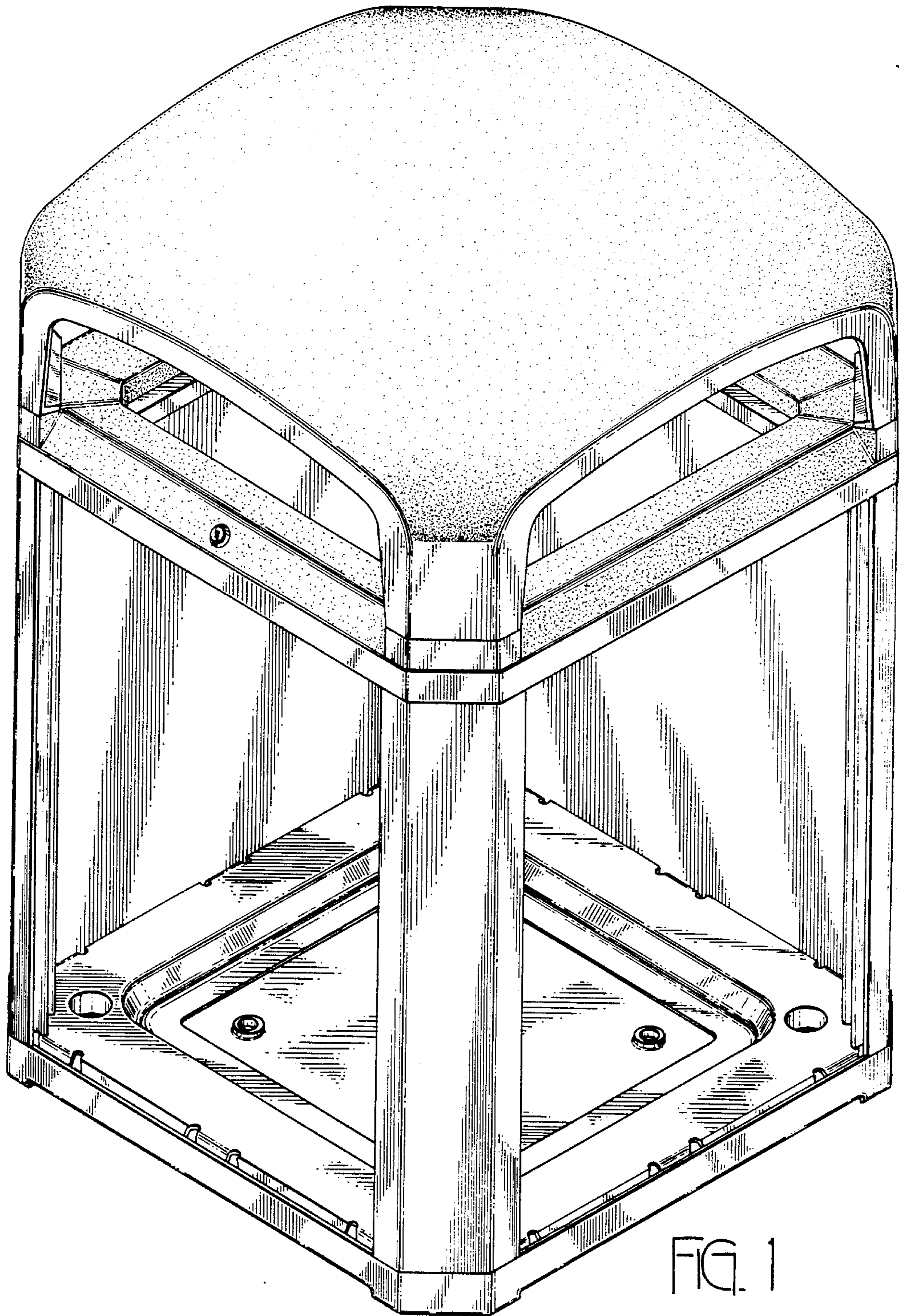


FIG. 1

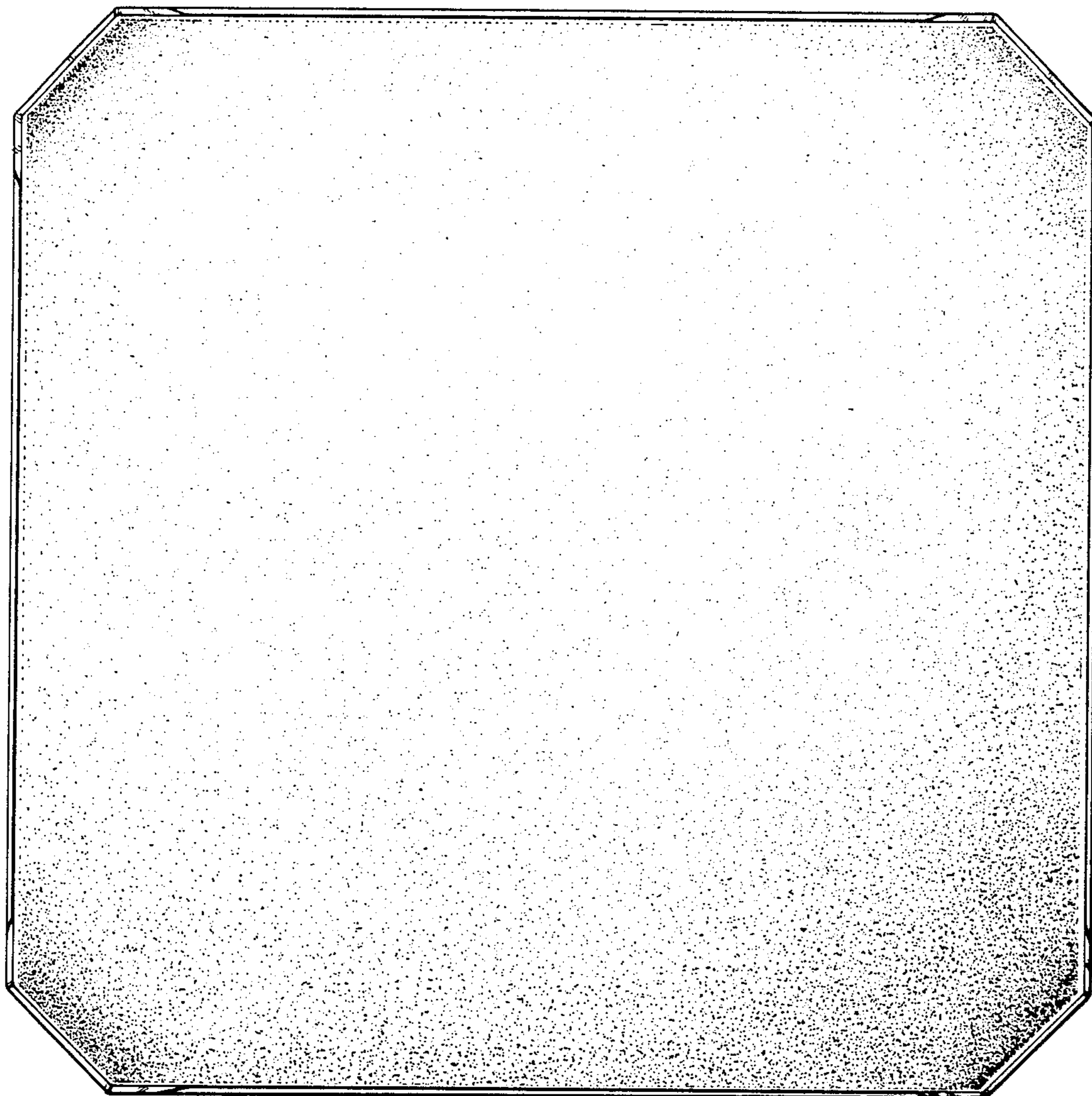


FIG. 2

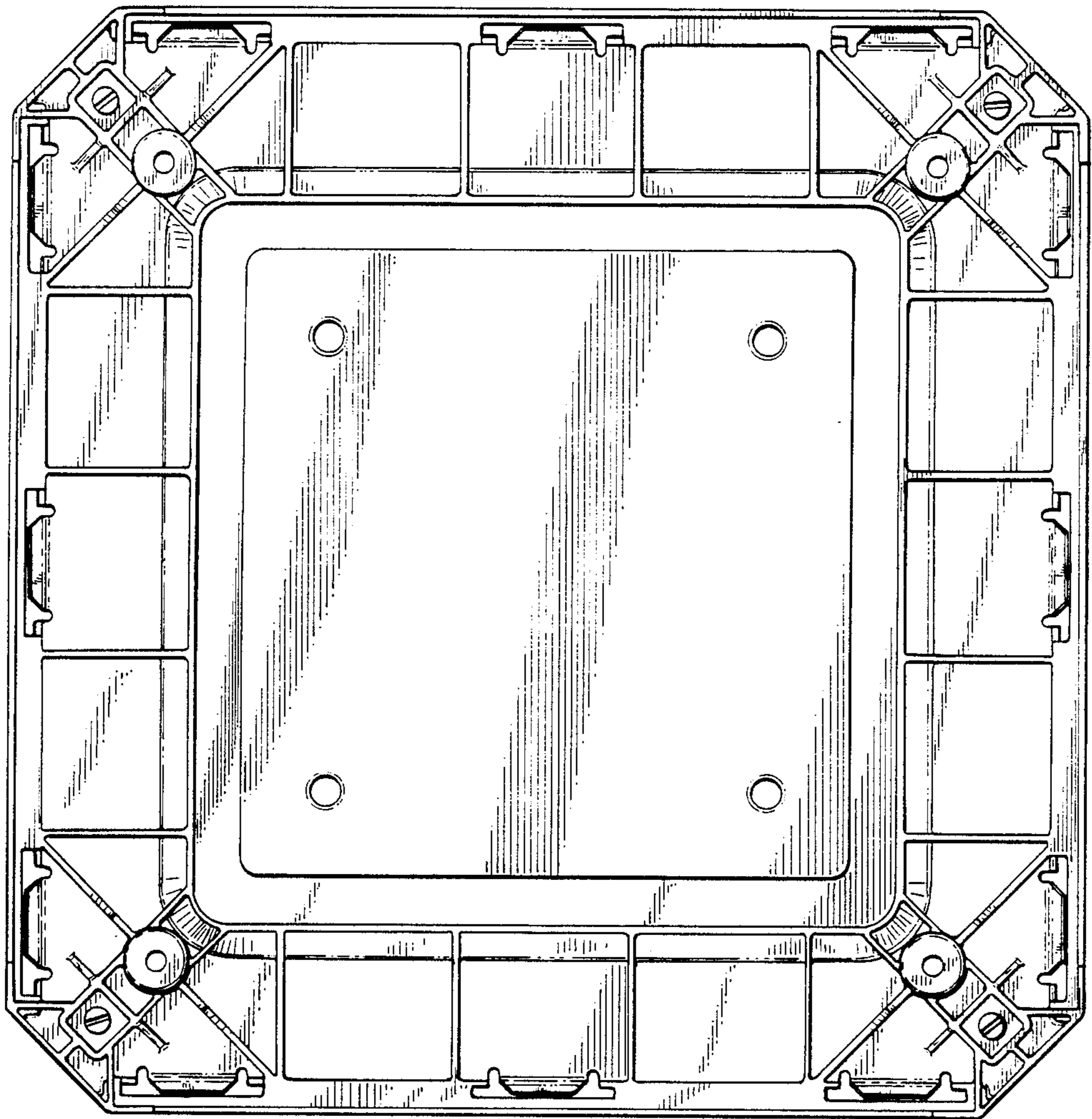


FIG. 3

FIG. 4.

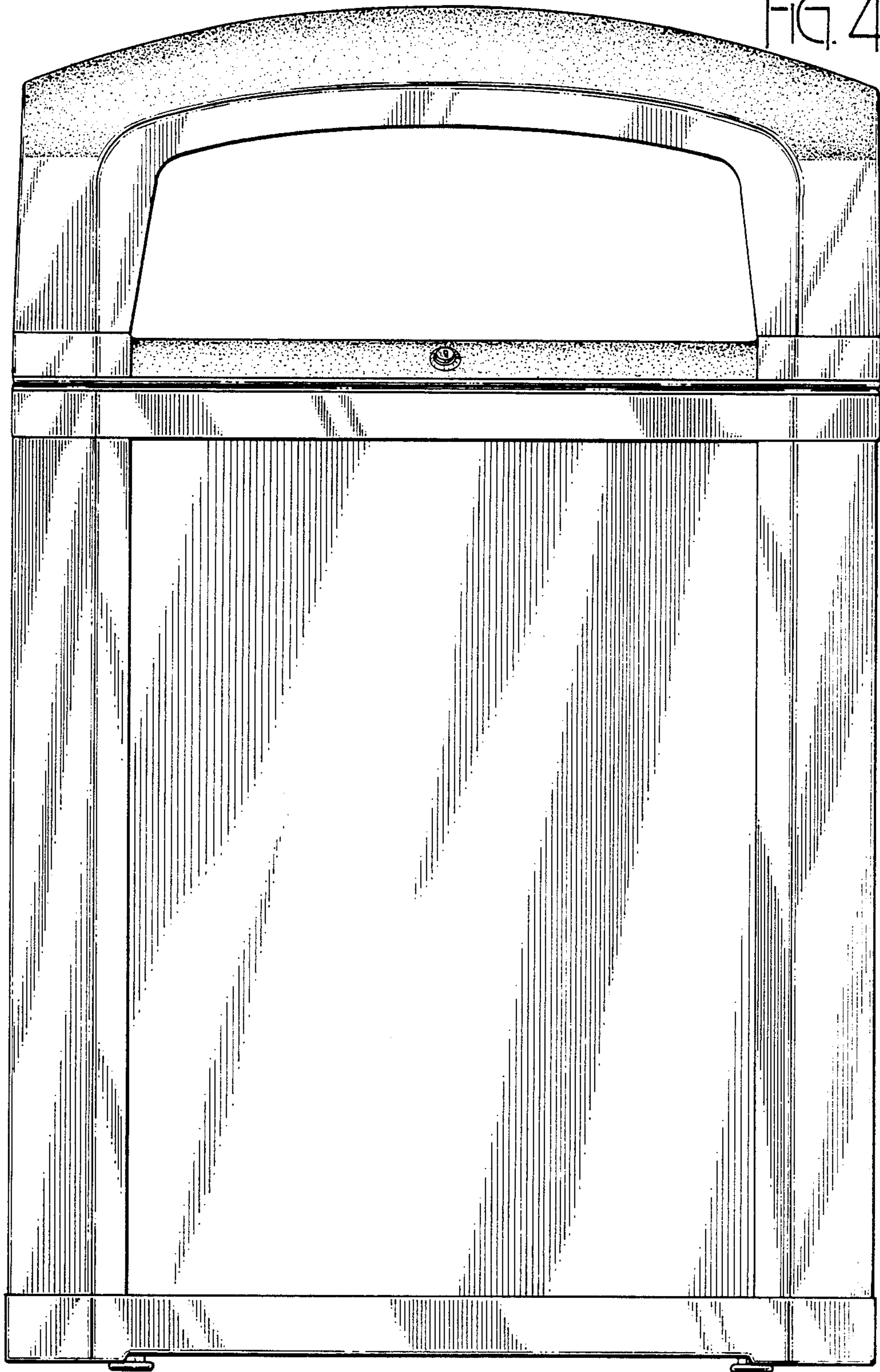


FIG. 5

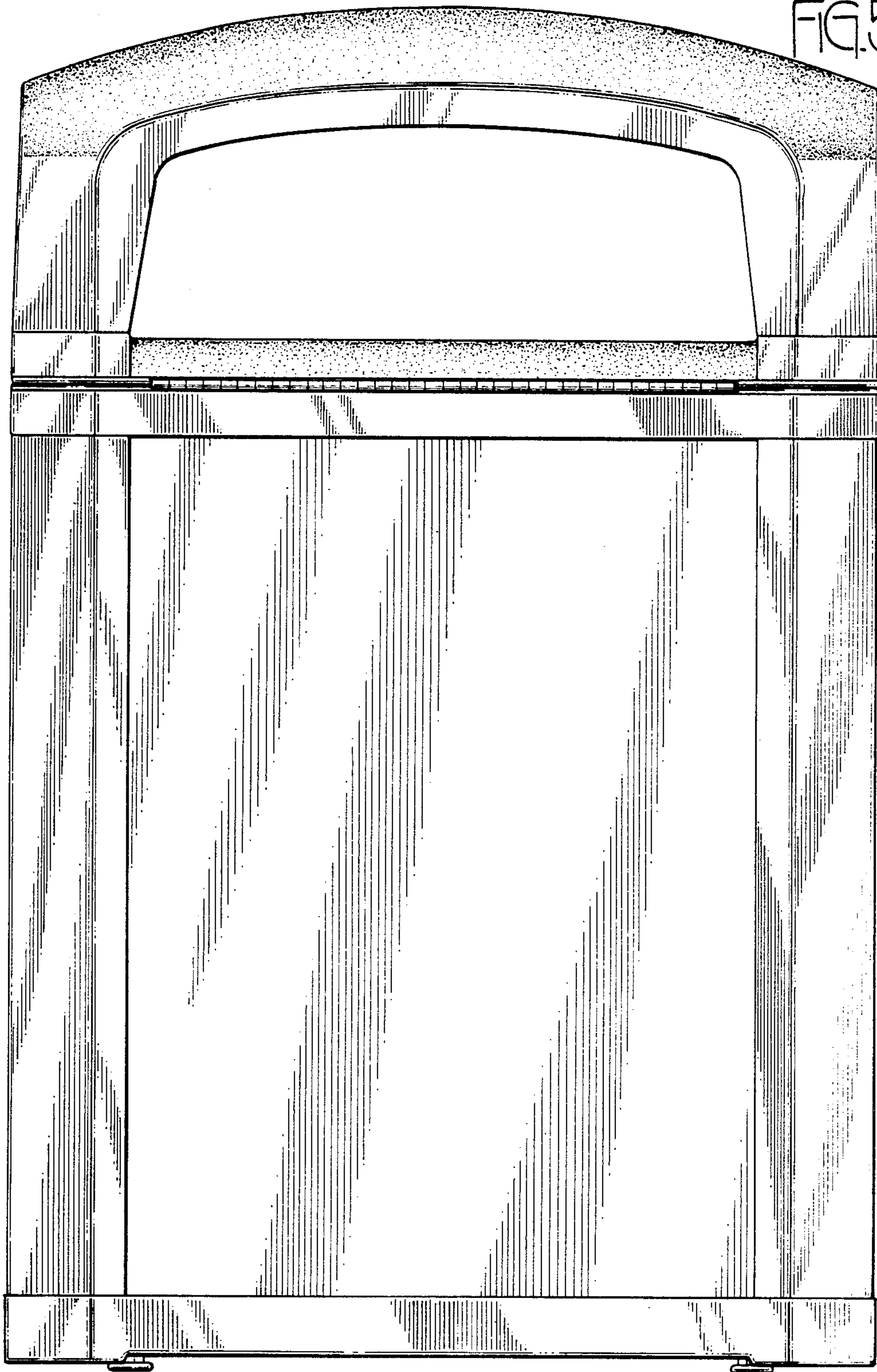
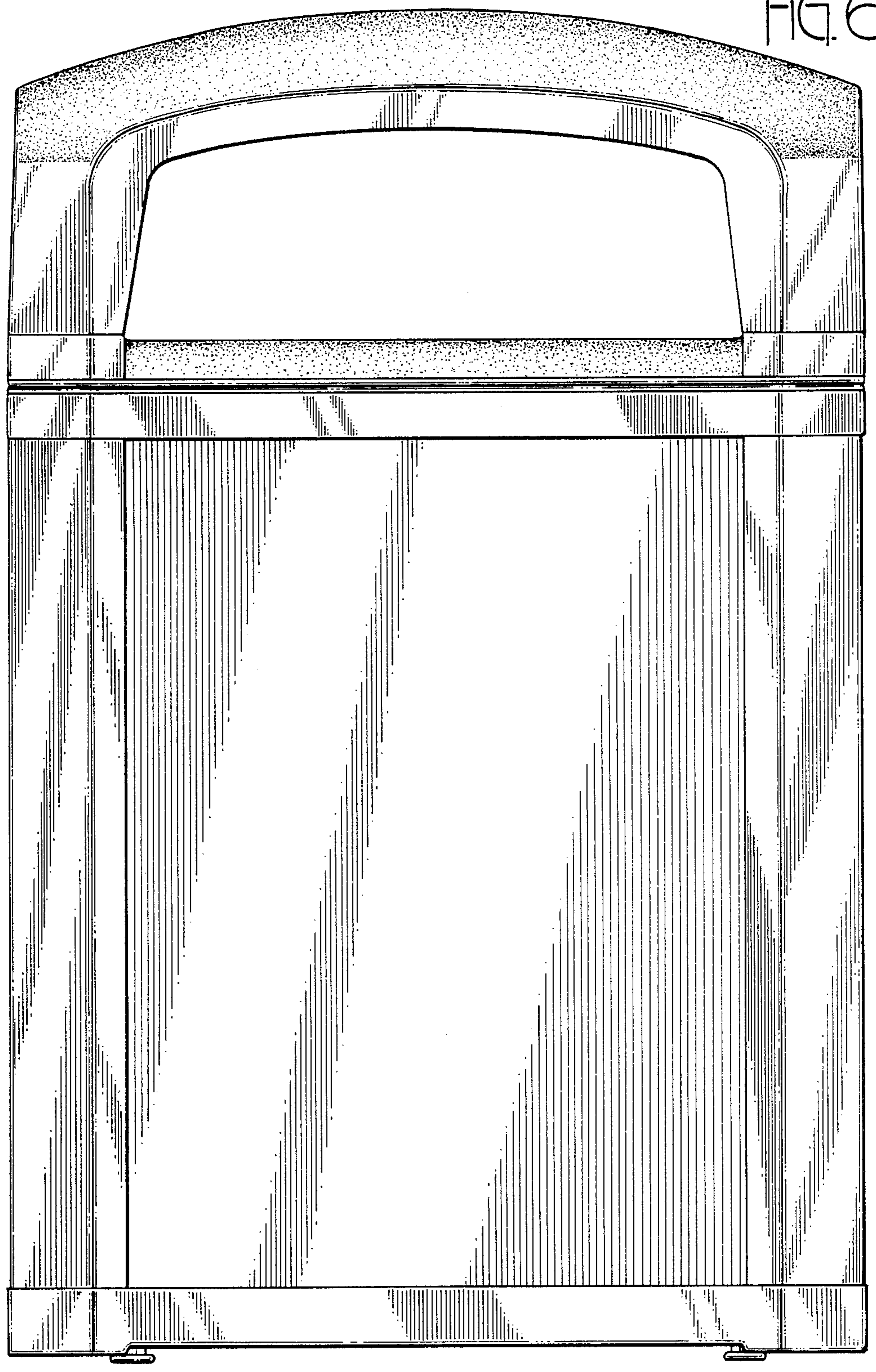


FIG. 6



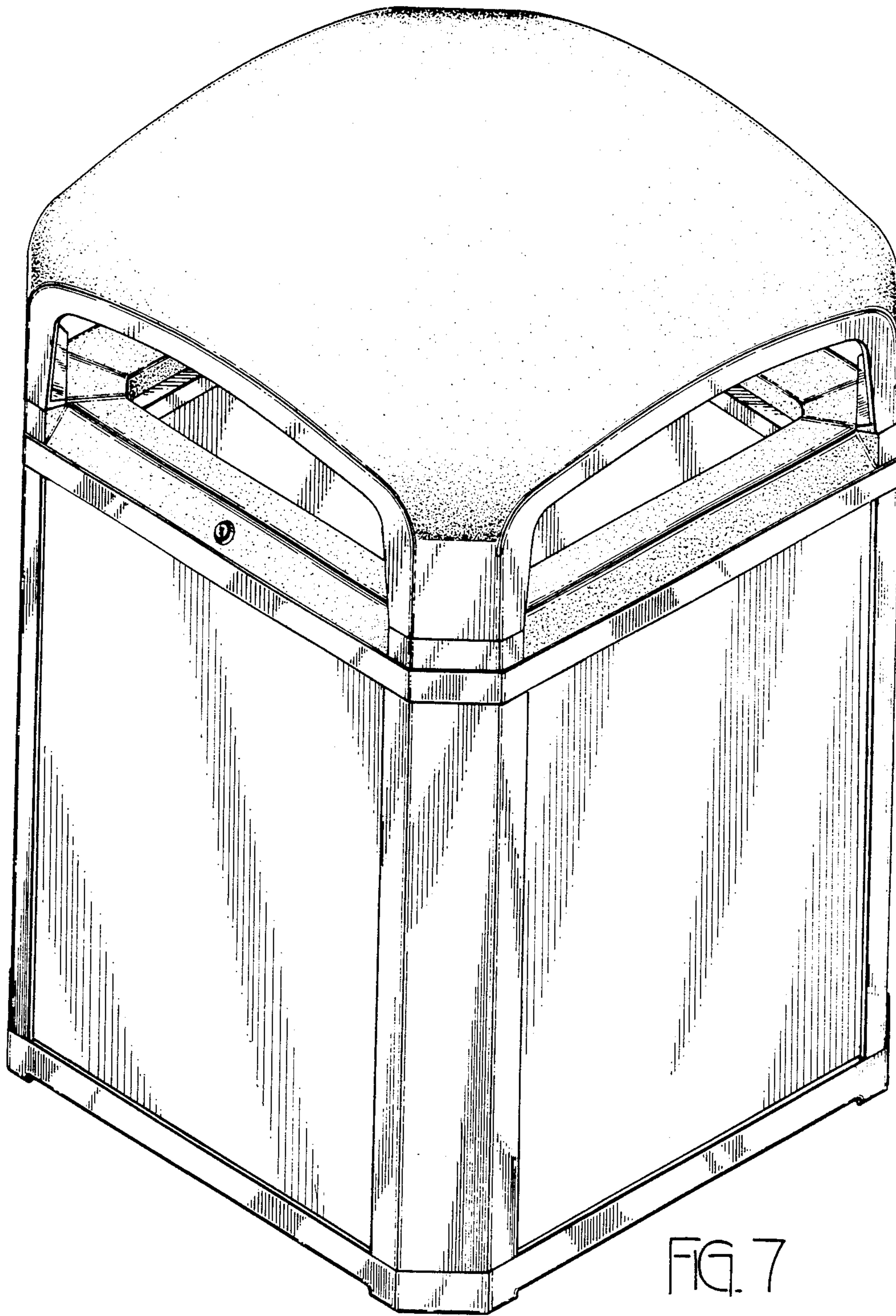


FIG. 7