

[54] ELECTRIC BASE AND STAND UNIT FOR A CORDLESS IRON

[75] Inventor: Tomás B. Vildosola, Eibar, Spain

[73] Assignee: Oficina de Investigacion Agrupada, S.A., Eibar, Spain

[**] Term: 14 Years

[21] Appl. No.: 43,981

[22] Filed: Apr. 28, 1987

[30] Foreign Application Priority Data

Oct. 28, 1986 [ES]	Spain	111.567
[52] U.S. Cl.		D32/73
[58] Field of Search		D32/68, 70-73;
		38/69, 74-75, 77.1-77.9, 88, 94, 96, 141-142;
		219/245-259, 271-276

[56] References Cited

U.S. PATENT DOCUMENTS

D. 290,898	7/1987	Babros et al.	D32/70
D. 299,573	1/1989	Gudefin	D32/70
4,784,616	11/1988	Zimmermann	248/117.4 X

OTHER PUBLICATIONS

Housewares, Apr. 15, 1985, "Osrow Cordless Stem Iron", p. 45.

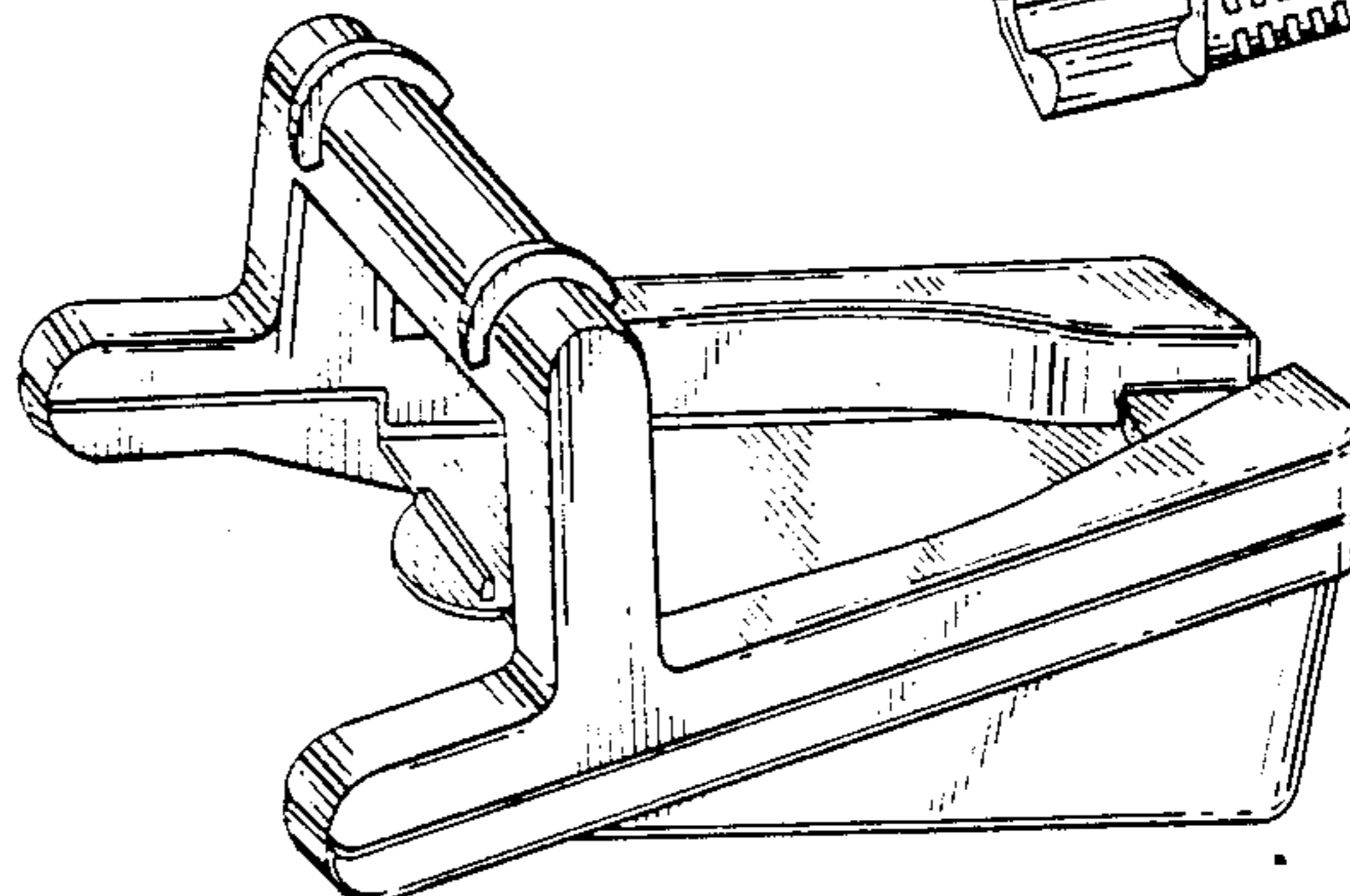
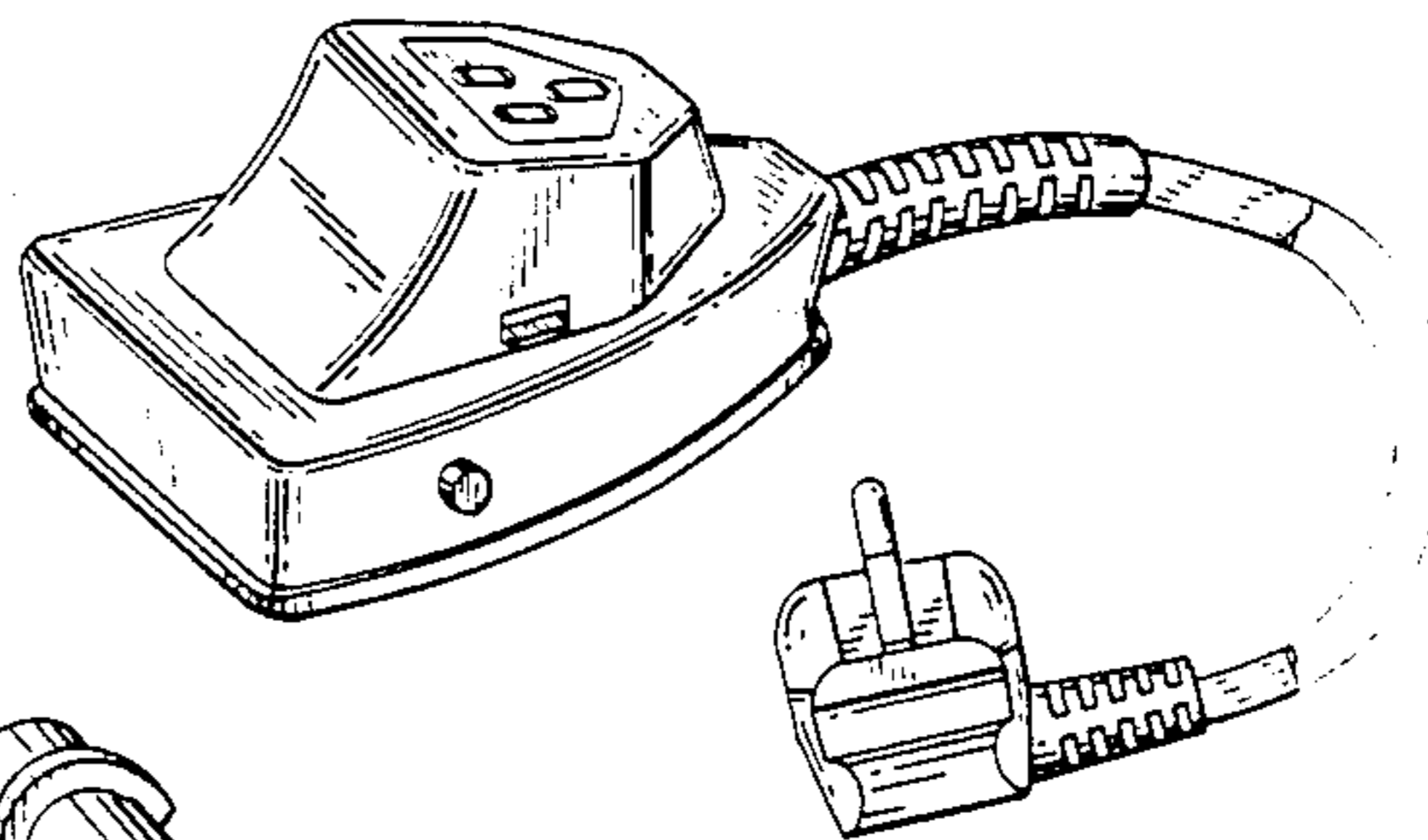
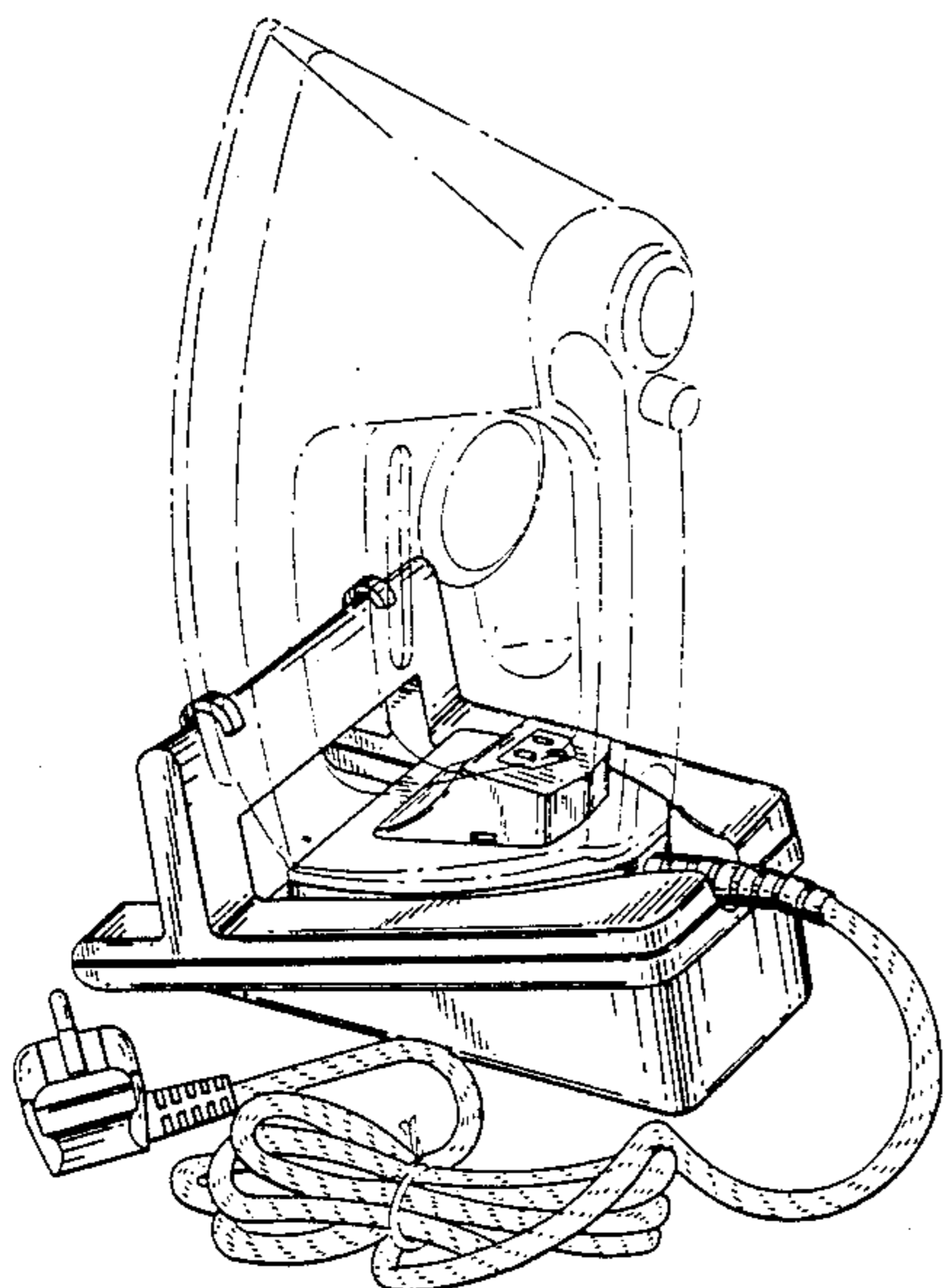
Primary Examiner—Wallace R. Burke
Assistant Examiner—Lavone D. Tabor
Attorney, Agent, or Firm—Ladas & Parry

[57] CLAIM

The ornamental design for an electric base and stand unit for a cordless iron, as shown.

DESCRIPTION

FIG. 1 is a top perspective view of an electric base and stand unit for a cordless iron in showing my new design; FIG. 2 is an exploded top perspective view thereof; FIG. 3 is a top plan view of the electric base only, shown separately for clarity of illustration; FIG. 4 is a bottom perspective view thereof; FIG. 5 is a top perspective view of the stand only, shown separately for clarity of illustration; and FIG. 6 is a bottom perspective view thereof. The broken line showing of an iron in FIG. 1 is for illustrative purposes only and forms no part of the claimed design. The cord is shown broken away in FIGS. 2, 3 and 4 for ease of illustration.



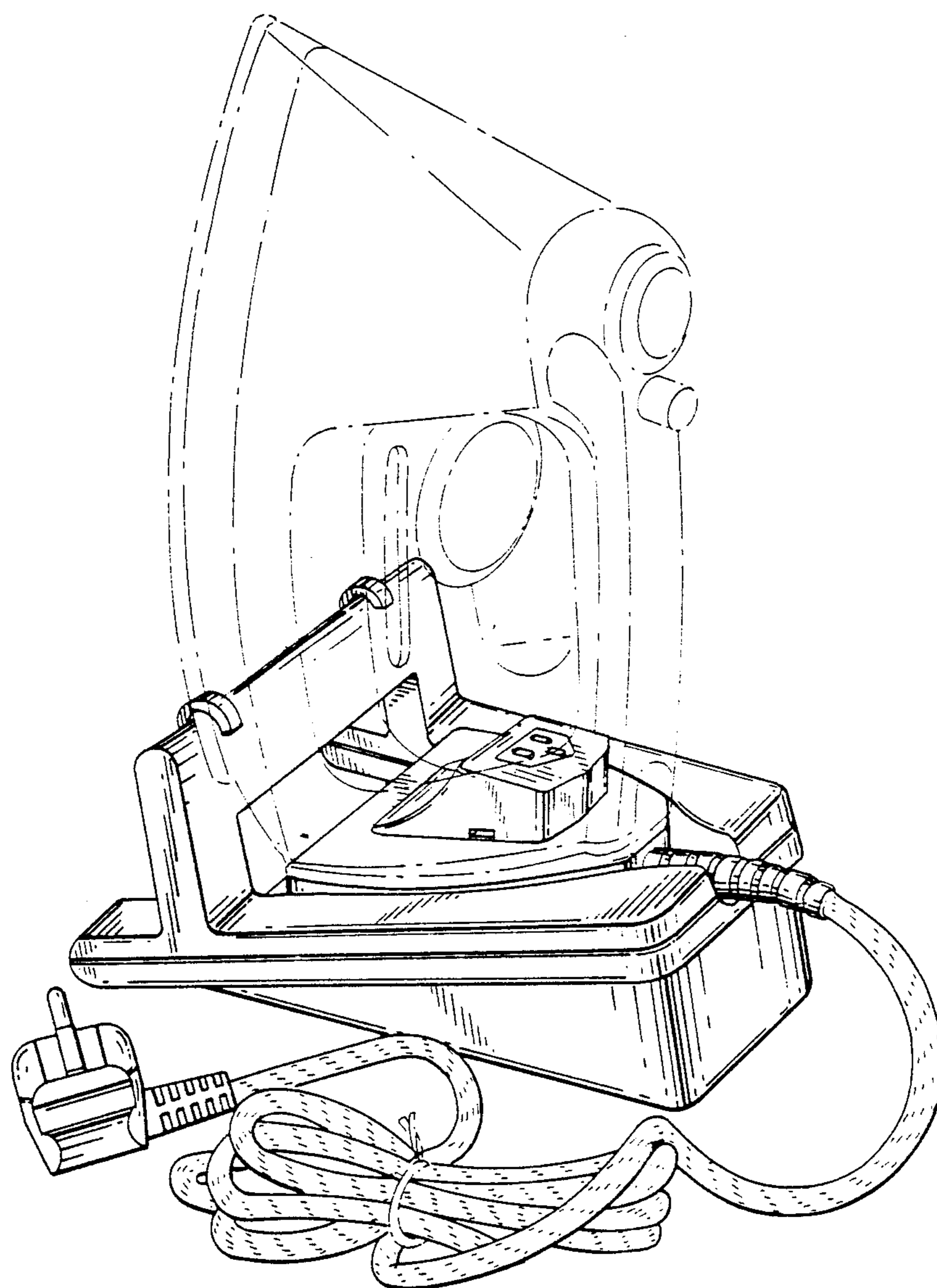


FIG. 1

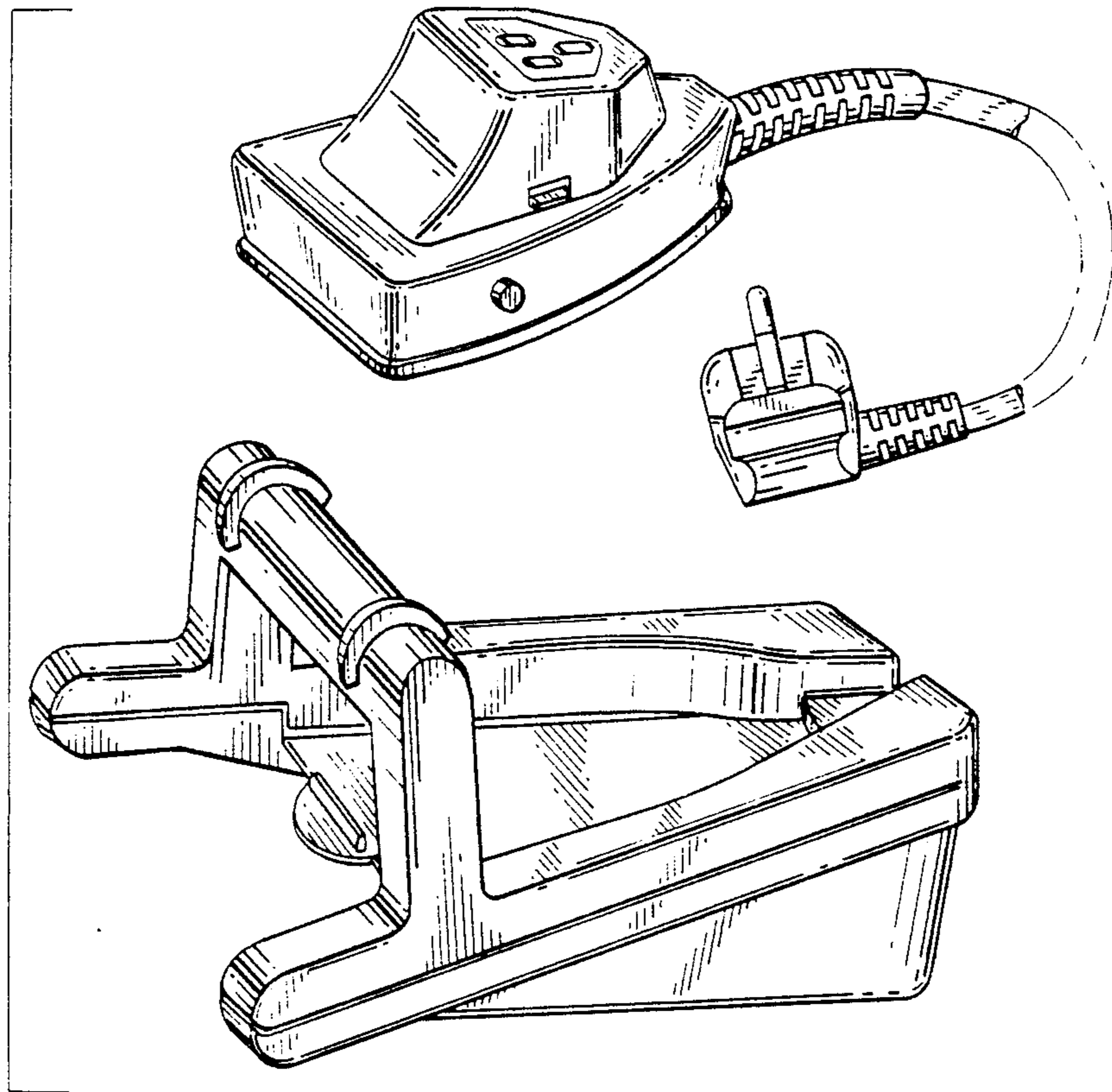


FIG. 2

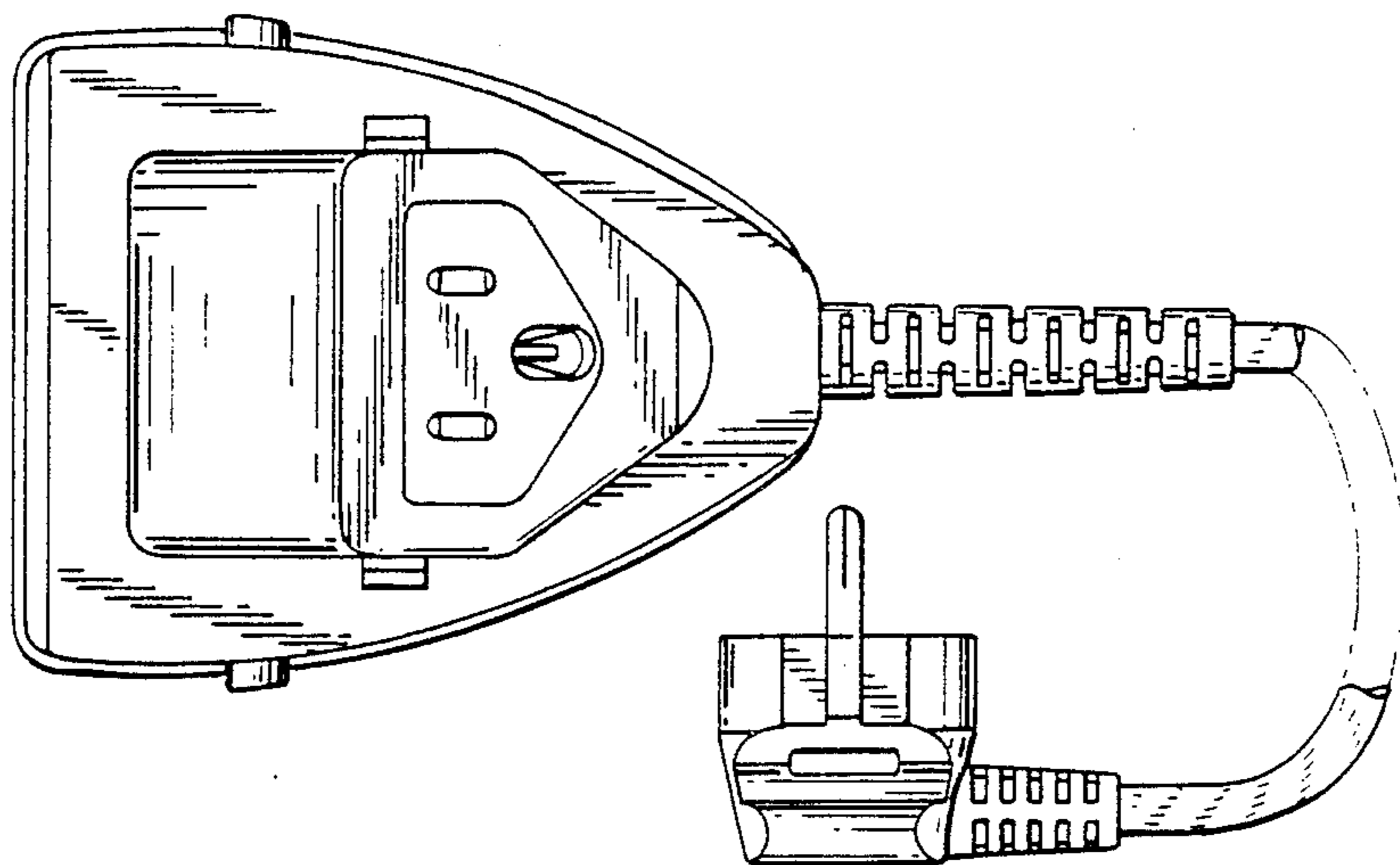


FIG. 3

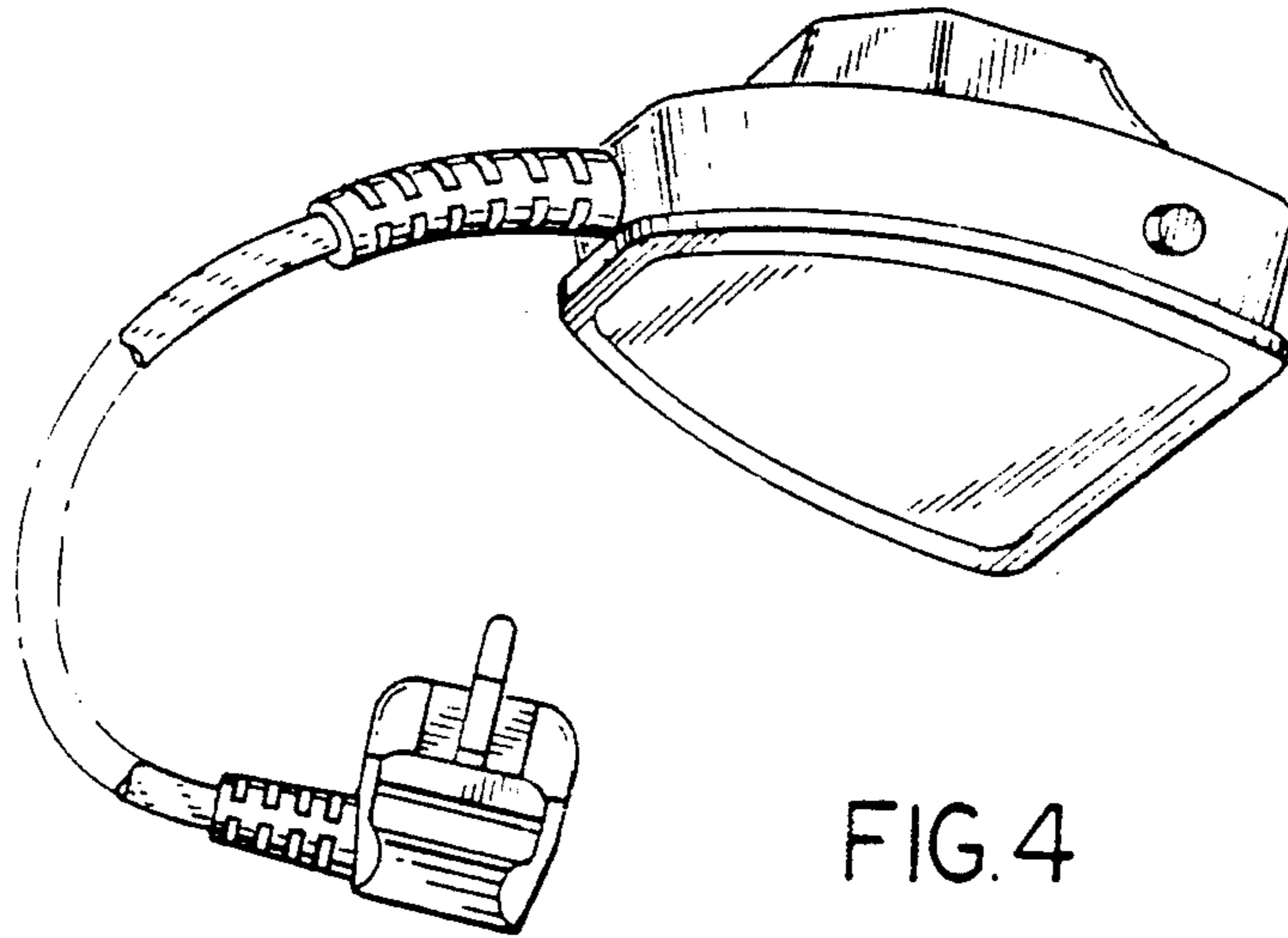


FIG. 4

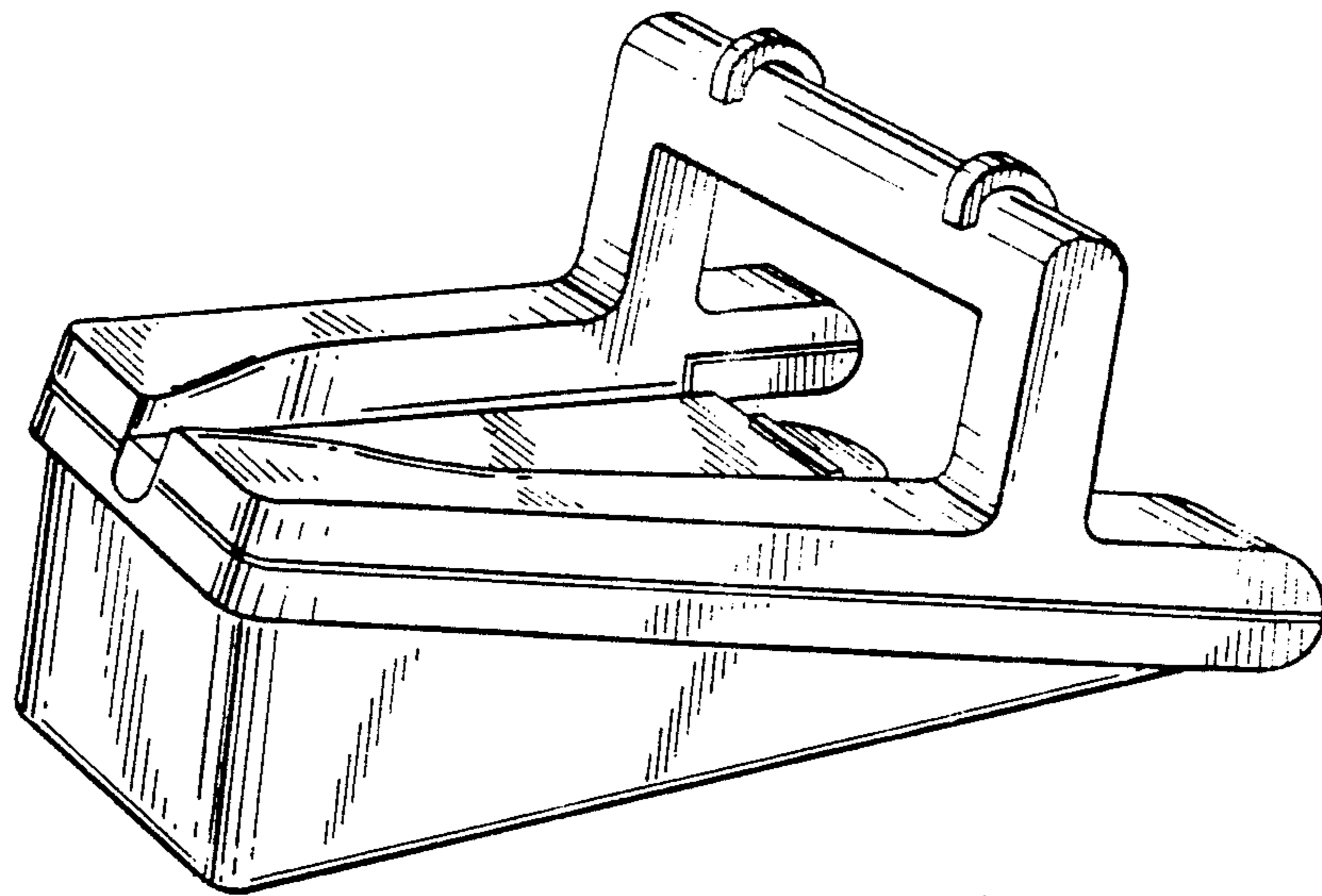


FIG. 5

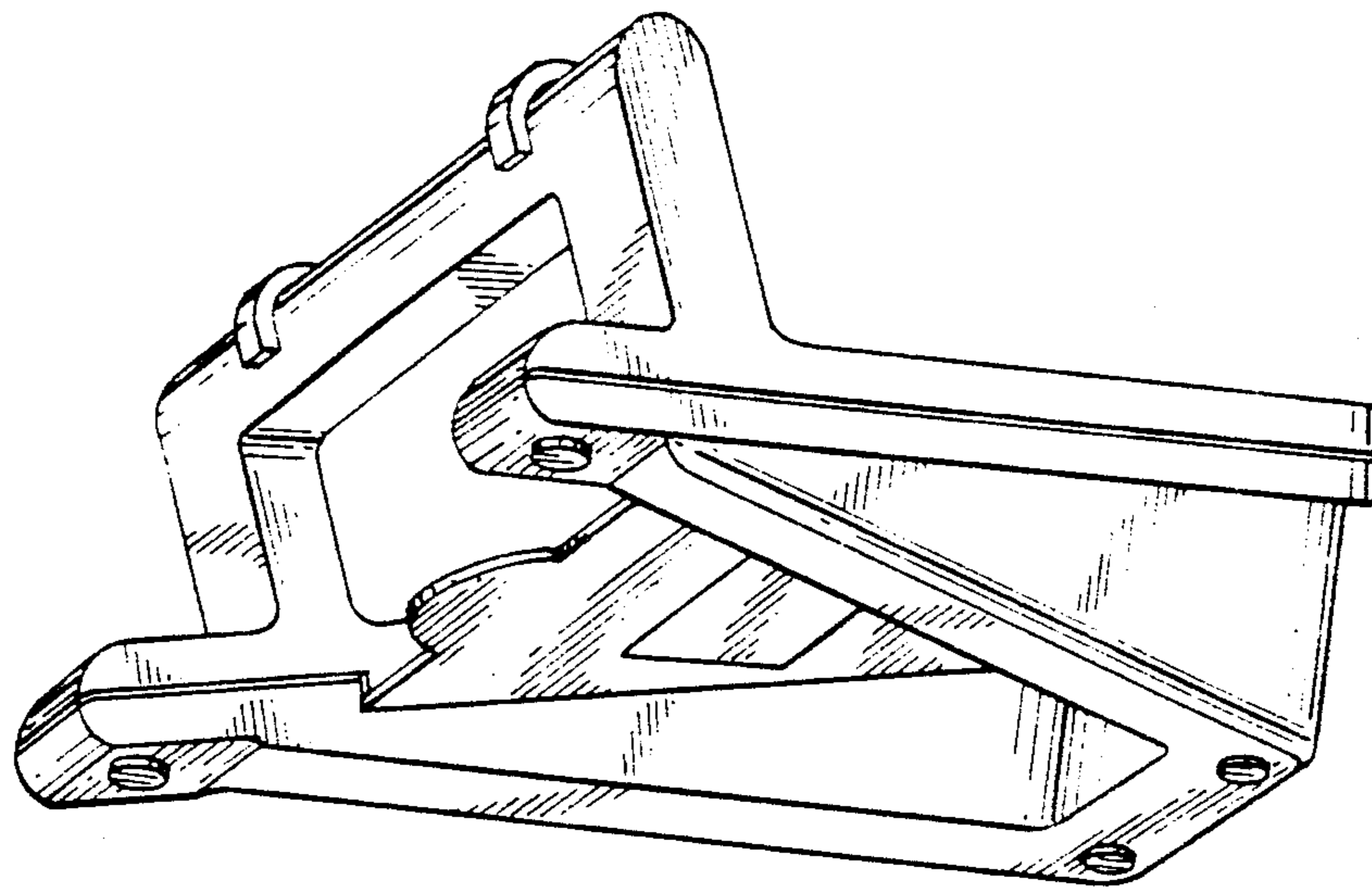


FIG. 6