

United States Patent [19]

Wilson

[11] Patent Number: **Des. 312,520**

[45] Date of Patent: **** Nov. 27, 1990**

[54] **GRIDDLE SCRAPER**

[75] Inventor: **Gordon Wilson, Sheffield, England**

[73] Assignee: **Christopher G. Gibbs, South Yorkshire, England**

[**] Term: **14 Years**

[21] Appl. No.: **228,961**

[22] Filed: **Aug. 4, 1988**

[30] **Foreign Application Priority Data**

Apr. 23, 1988 [GB] United Kingdom 1050210

[52] U.S. Cl. **D32/48**

[58] Field of Search D32/35, 40, 46-49;
15/236.01-236.09, 237; 30/164.9, 169-171

[56] **References Cited**

U.S. PATENT DOCUMENTS

D. 232,344 8/1974 Momcilovich D32/48

1,181,815 5/1916 Witkowski 15/145
2,286,190 6/1942 Abrahamsen 30/171
4,040,140 8/1977 Hopkins et al. D32/49 X

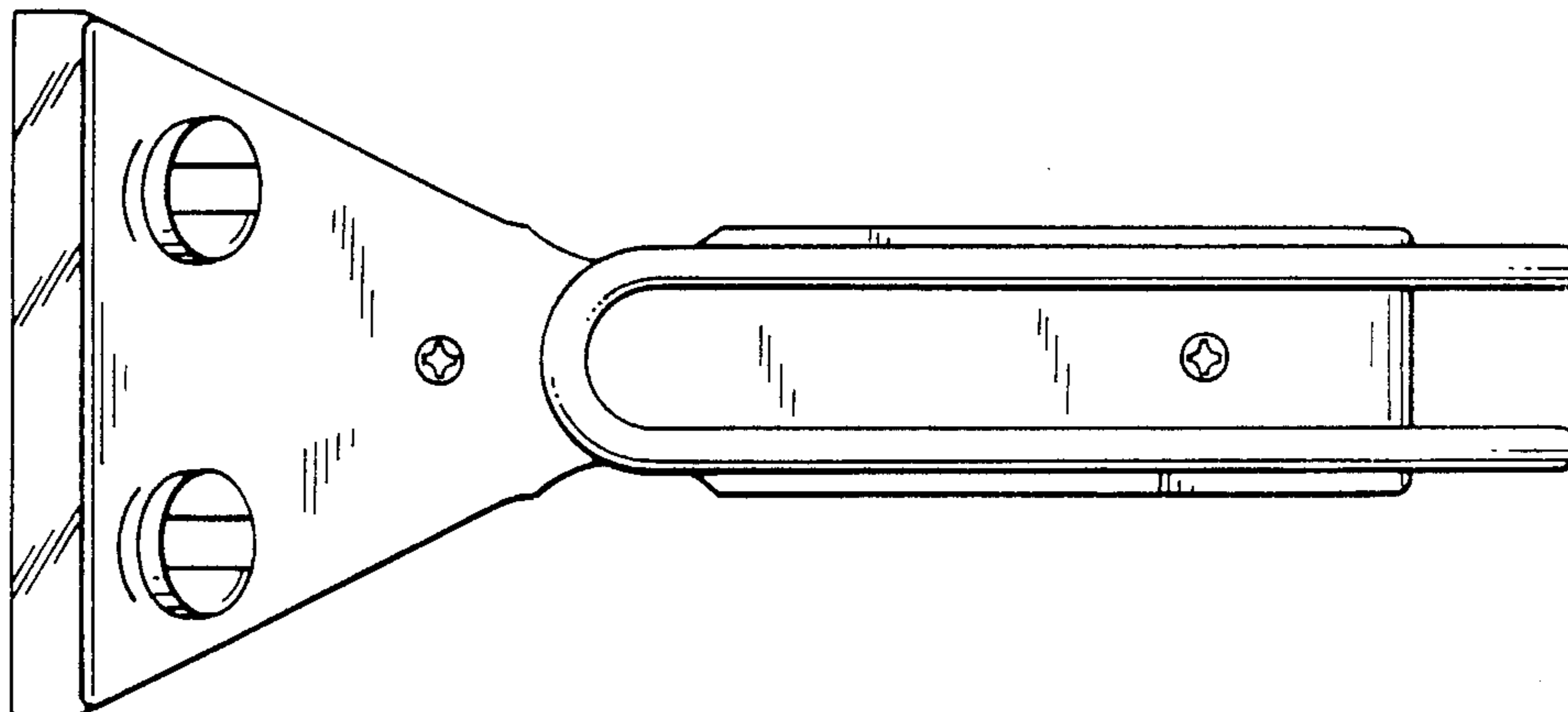
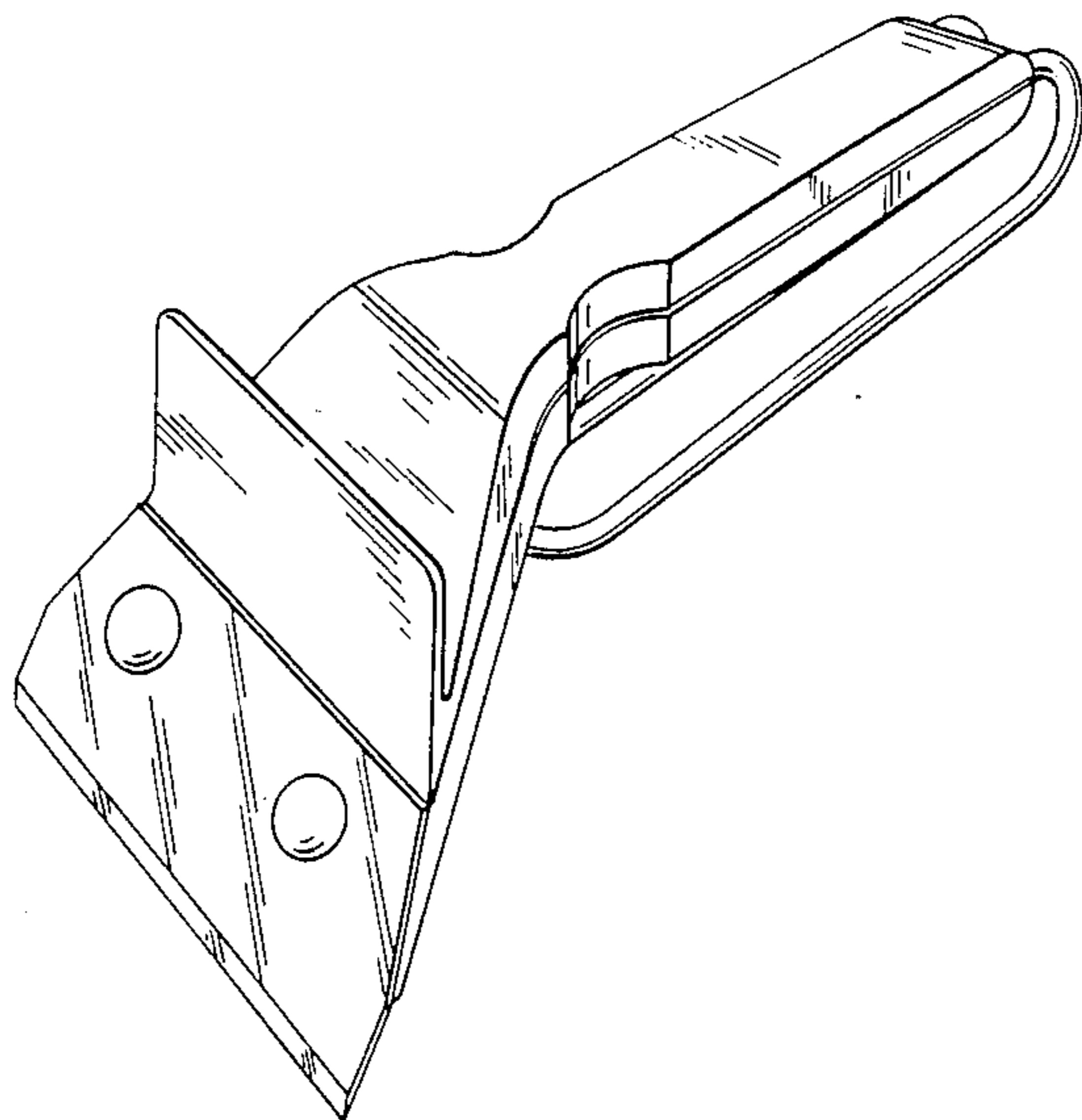
Primary Examiner—Wallace R. Burke
Assistant Examiner—Lavone D. Tabor
Attorney, Agent, or Firm—R. A. Giangiorgi

[57] **CLAIM**

The ornamental design for a griddle scraper, as shown and described.

DESCRIPTION

FIG. 1 is a perspective view of a griddle scraper showing my new design;
FIG. 2 is a top plan view thereof;
FIG. 3 is a bottom plan view thereof;
FIG. 4 is a side elevational view thereof, the opposite side being a mirror image;
FIG. 5 is a front elevational view thereof; and
FIG. 6 is a rear end elevational view thereof.



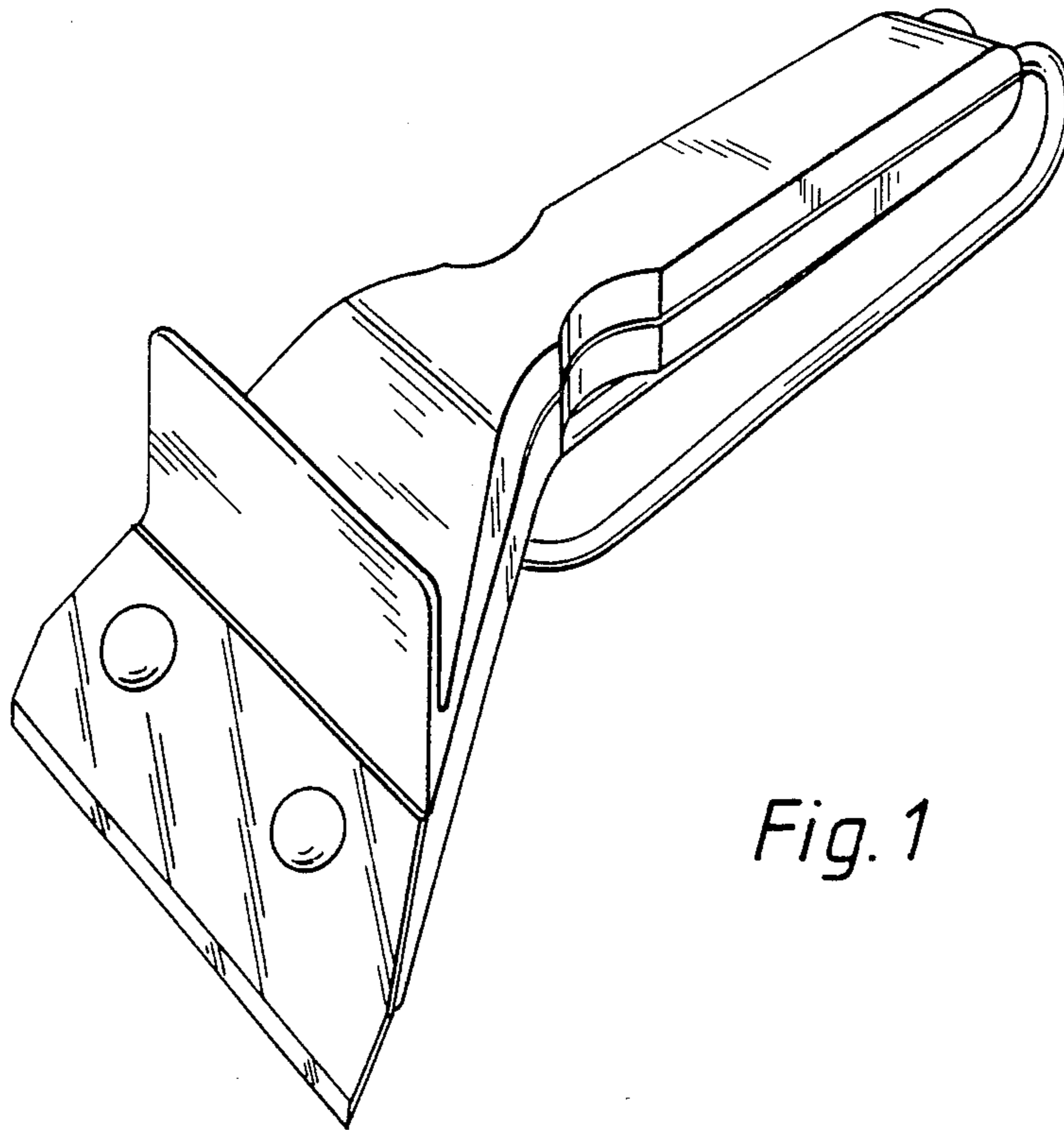


Fig. 1

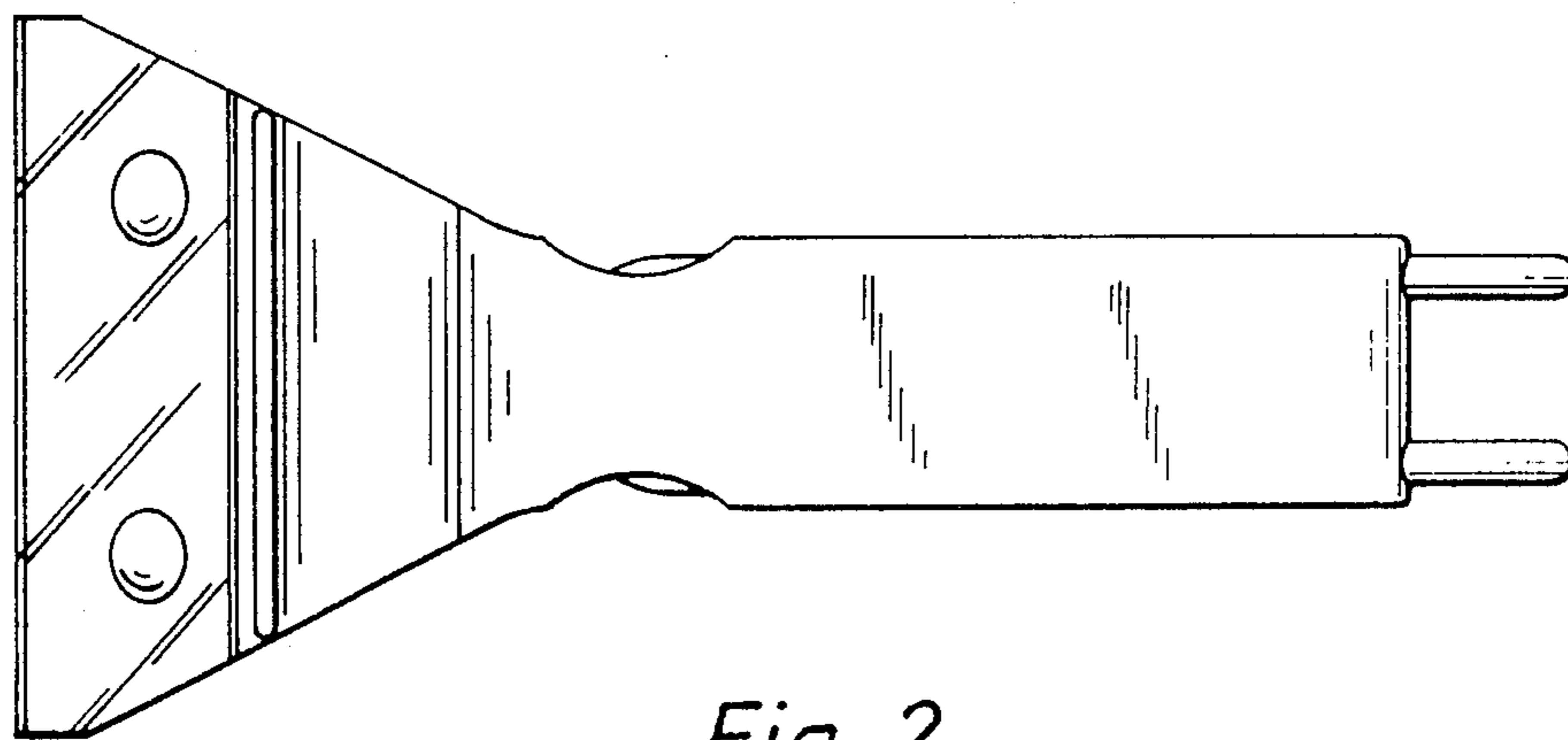


Fig. 2

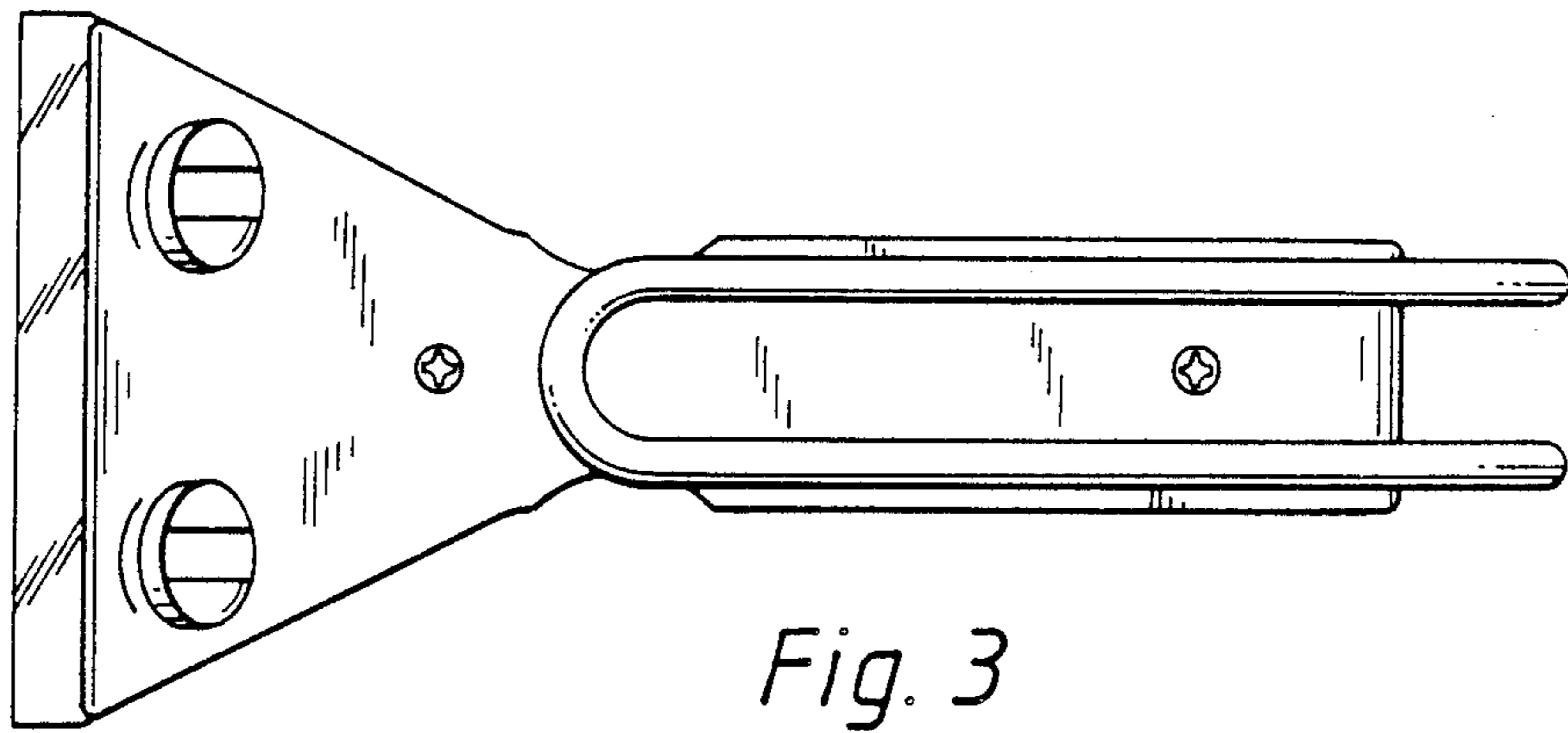


Fig. 3

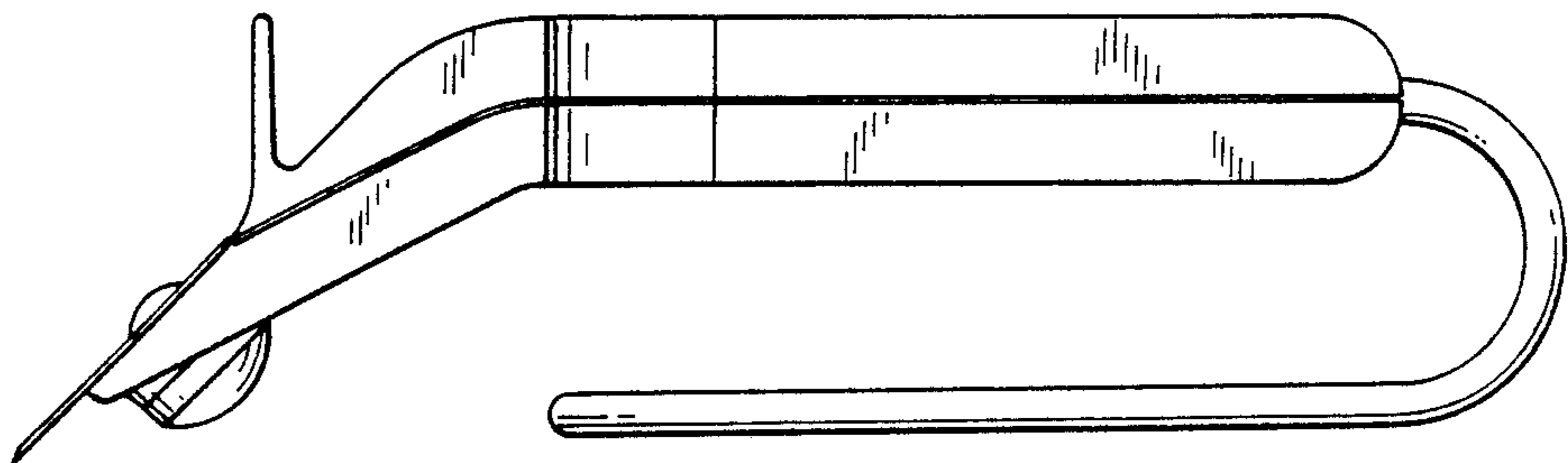


Fig. 4

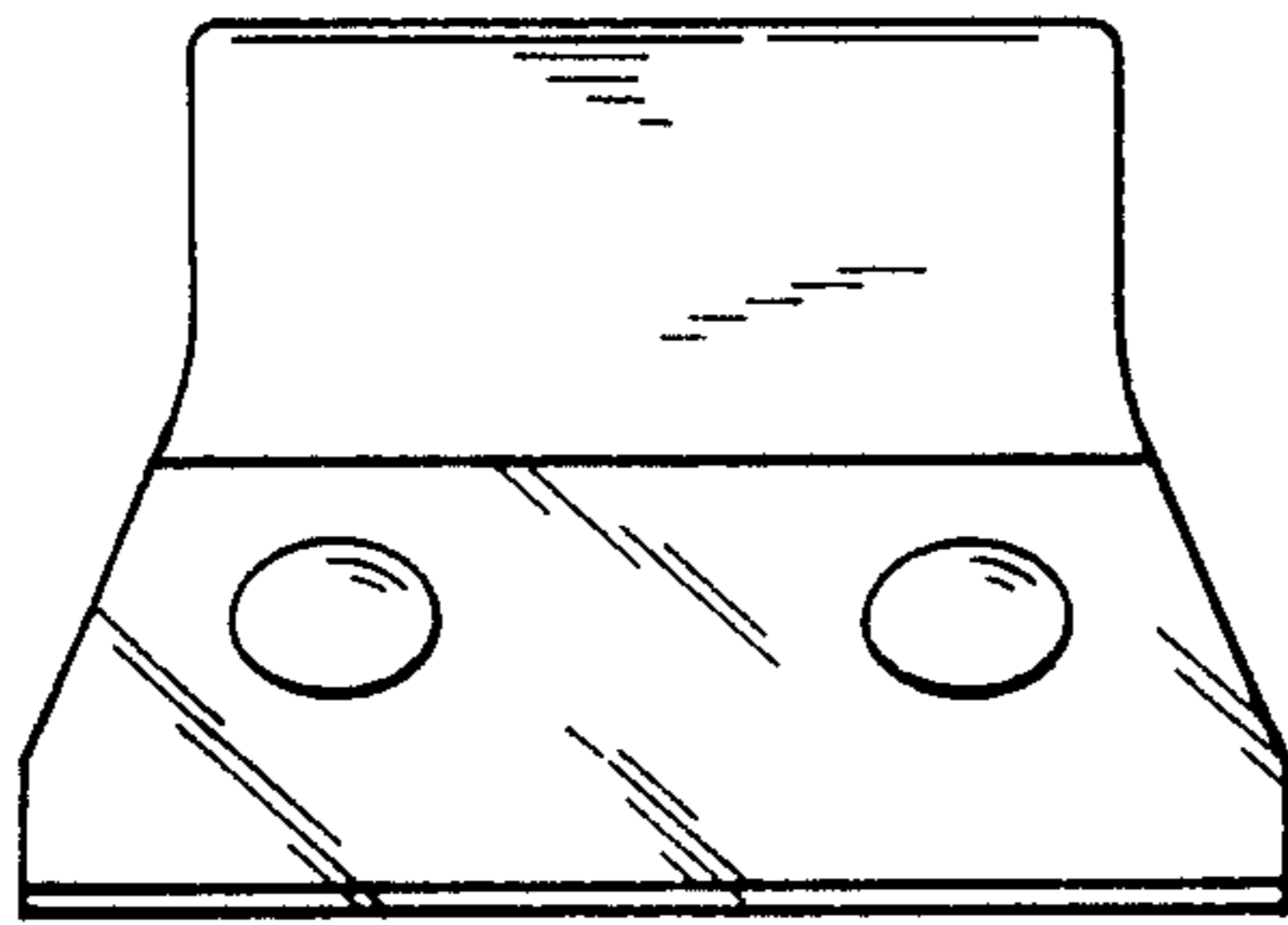


Fig. 5

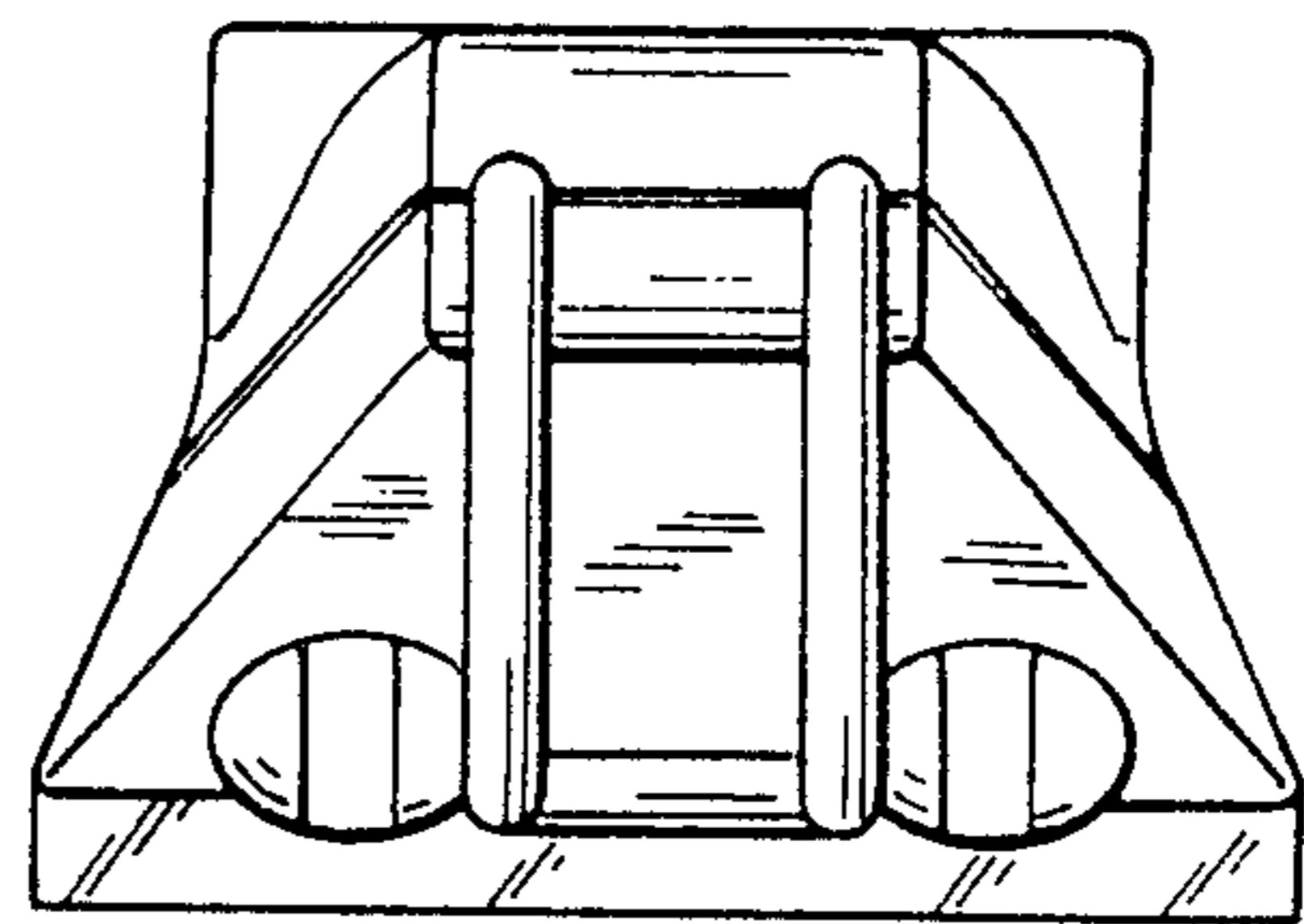


Fig. 6