

[54] HAMPER

[75] Inventor: Jody A. Hobson, Rocky River, Ohio

[73] Assignee: Richard B. O'Planick, Wooster, Ohio

[**] Term: 14 Years

[21] Appl. No.: 291,880

[22] Filed: Dec. 29, 1988

[52] U.S. Cl. D32/37; D34/7

[58] Field of Search D9/399, 404, 407, 425-429, D9/377-379, 443, 349, 352-353; D32/37; D34/1,7, 39-40, 42-44; 220/1 M, 1 T, 72, 74, 83-84, 85 R, 94 A; 232/1 B

[56] References Cited

U.S. PATENT DOCUMENTS

D. 184,796	4/1959	Bliss	D32/37
D. 208,675	9/1967	Gardner	D32/37
D. 218,636	9/1970	Mangold et al.	D34/7
D. 242,496	11/1976	Carroll et al.	D34/40
D. 265,261	6/1982	Gerber	D32/37
D. 285,656	9/1986	Champion	D9/352
4,440,321	4/1984	Campbell	220/1 T X

OTHER PUBLICATIONS

Sell Sheet, Addis Limited, Ware Road, Hertford, Hertfordshire, U.K. SG13 7HL, Publication date unknown.

Sell Sheet, Berg Plastics, Lake Bluff, Ill. 60044, publication date unknown.

Packaging Label, Keter Plastics, Ltd., 27 Beit Eshel Street, Jaffa 68025 Israel, Publication date unknown.

P. 11, Curver B. V., Export Department, Takkebijsters

75, P.O. Box 6810, 4802 AV, Breda, Holland 076 780900, Publication date unknown.

Sell Sheet, Loma Corporation, Box 40350, 9651-T Highway 81-S, Fort Worth, Tex. 76140, publication date unknown.

Primary Examiner—Wallace R. Burke
Assistant Examiner—Lavone D. Tabor
Attorney, Agent, or Firm—Richard B. O'Planick

[57] CLAIM

The ornamental design for a hamper, as shown and described.

DESCRIPTION

FIG. 1 is an exploded front perspective view of a hamper showing my new design.

FIG. 2 is a front perspective view thereof, shown with the lid in place.

FIG. 3 is a front perspective view thereof, shown with the lid placed in an inverted position.

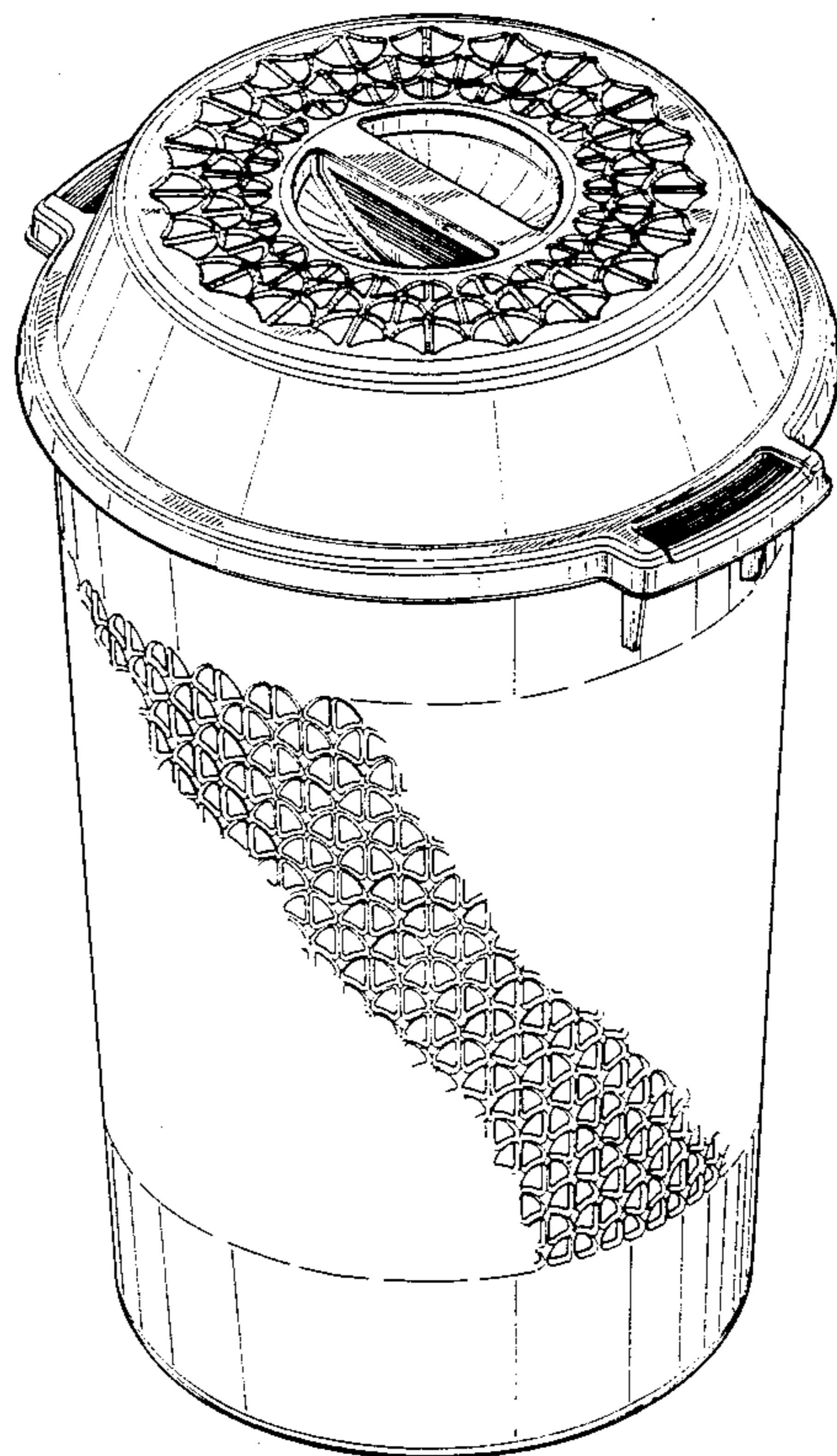
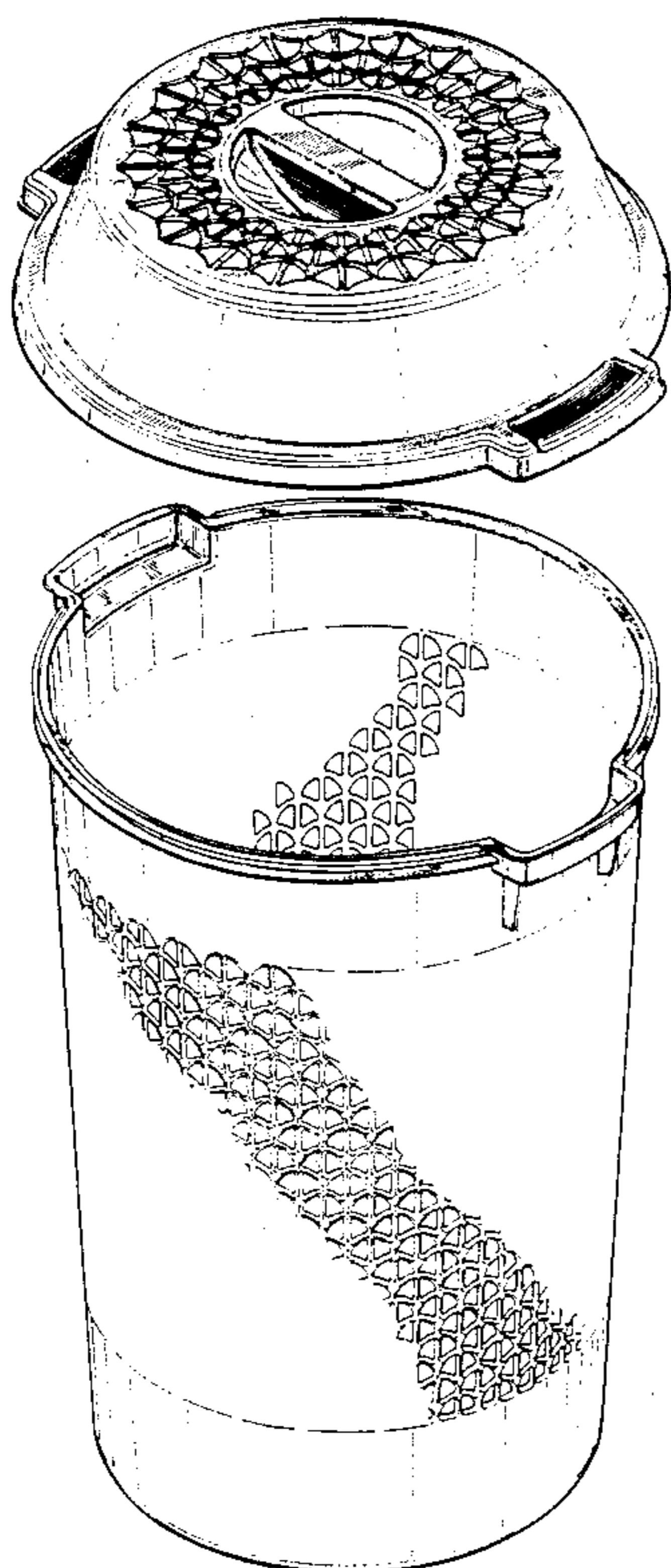
FIG. 4 is a top plan view of FIG. 1.

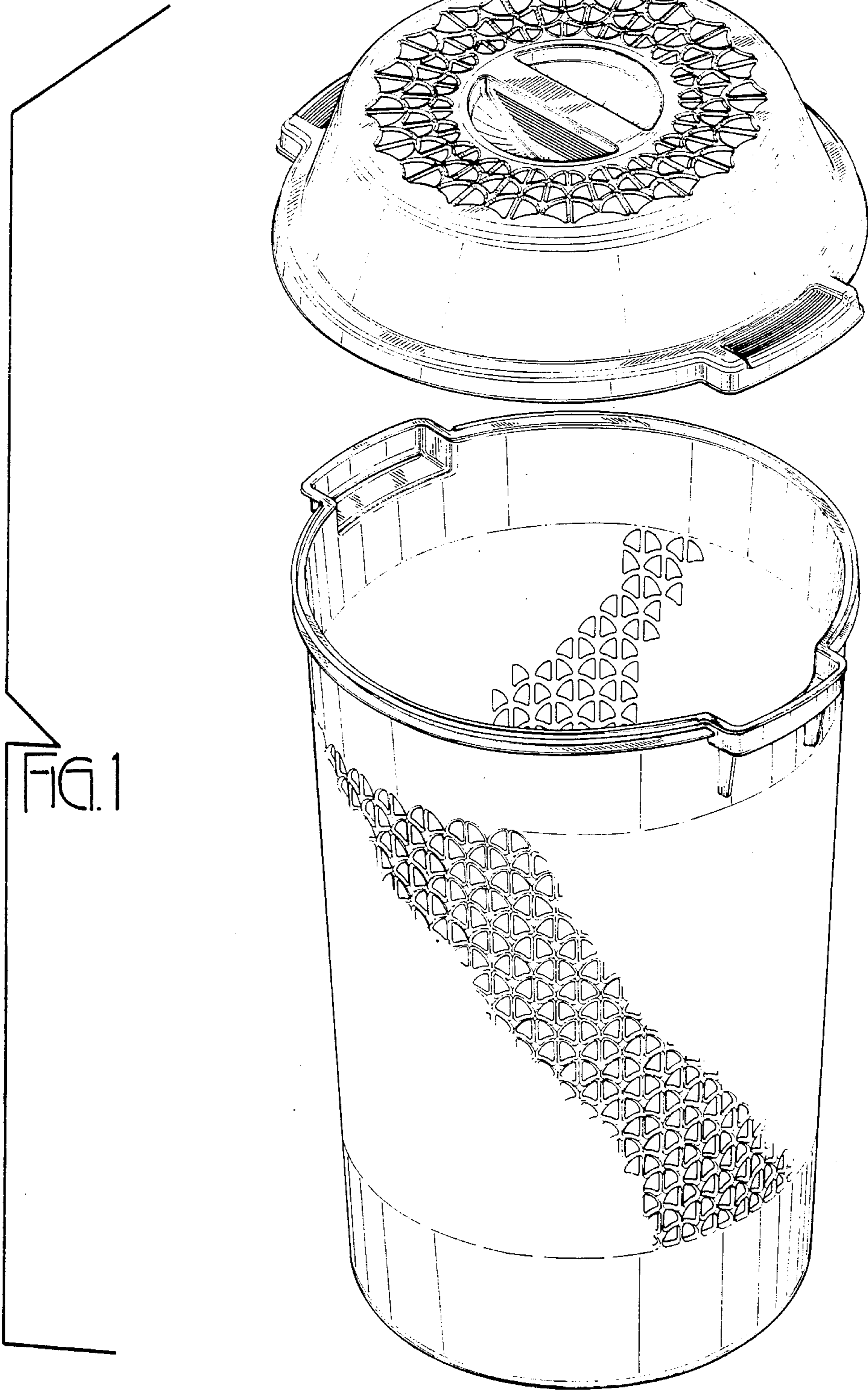
FIG. 5 is a bottom plan view thereof.

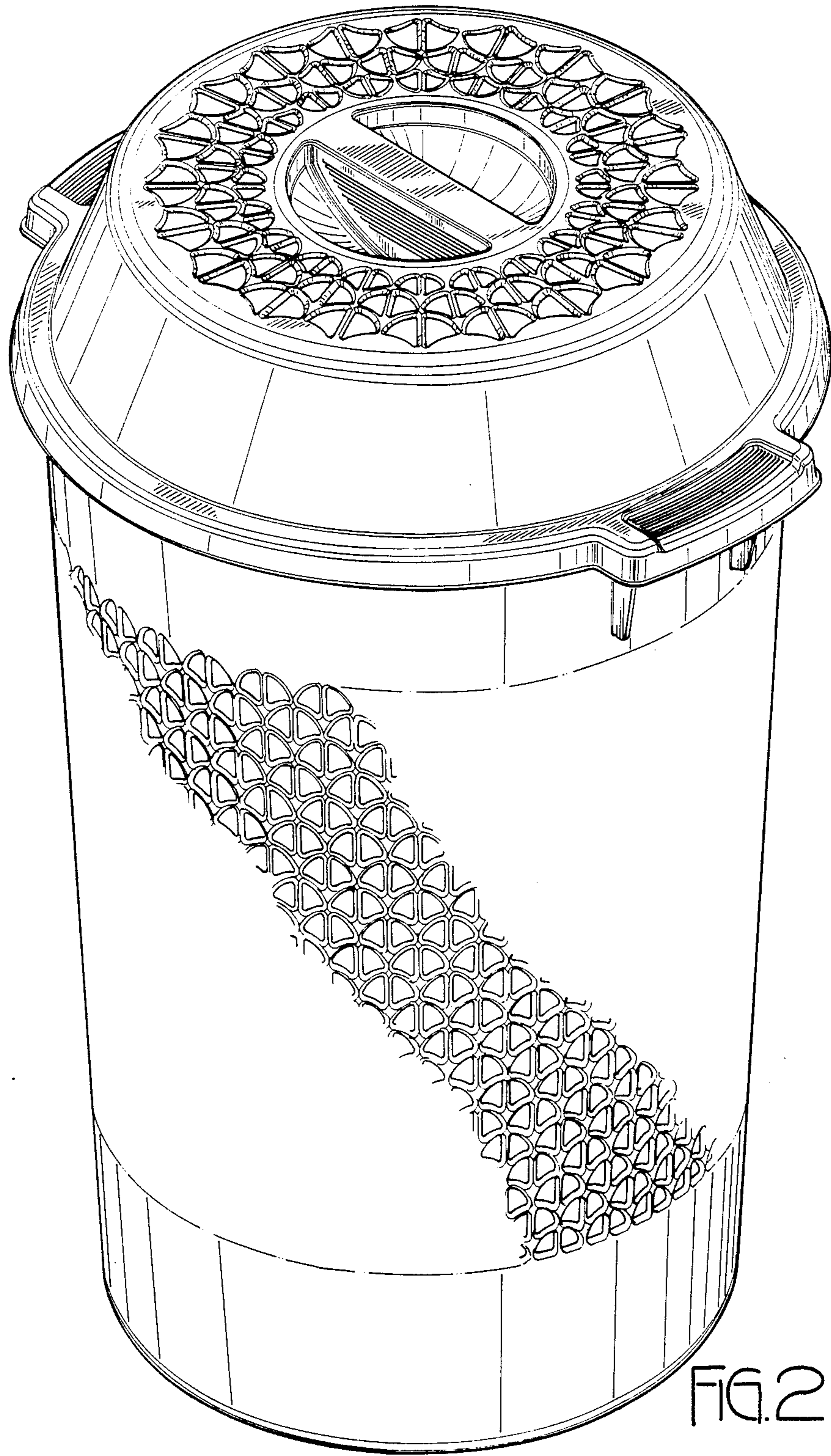
FIG. 6 is a front elevational view thereof; the rear elevational view being a mirror image.

FIG. 7 is a side elevational view thereof; the opposite side being a mirror image.

The perforated pattern is partially shown on the base in FIGS. 1, 2, 3, 6 and 7 and on the lid in FIGS. 3 and 4 for ease of illustration and is understood to repeat uniformly along the cylindrical walls of the base between the top and bottom borders and along the top of the lid as shown in FIG. 1.







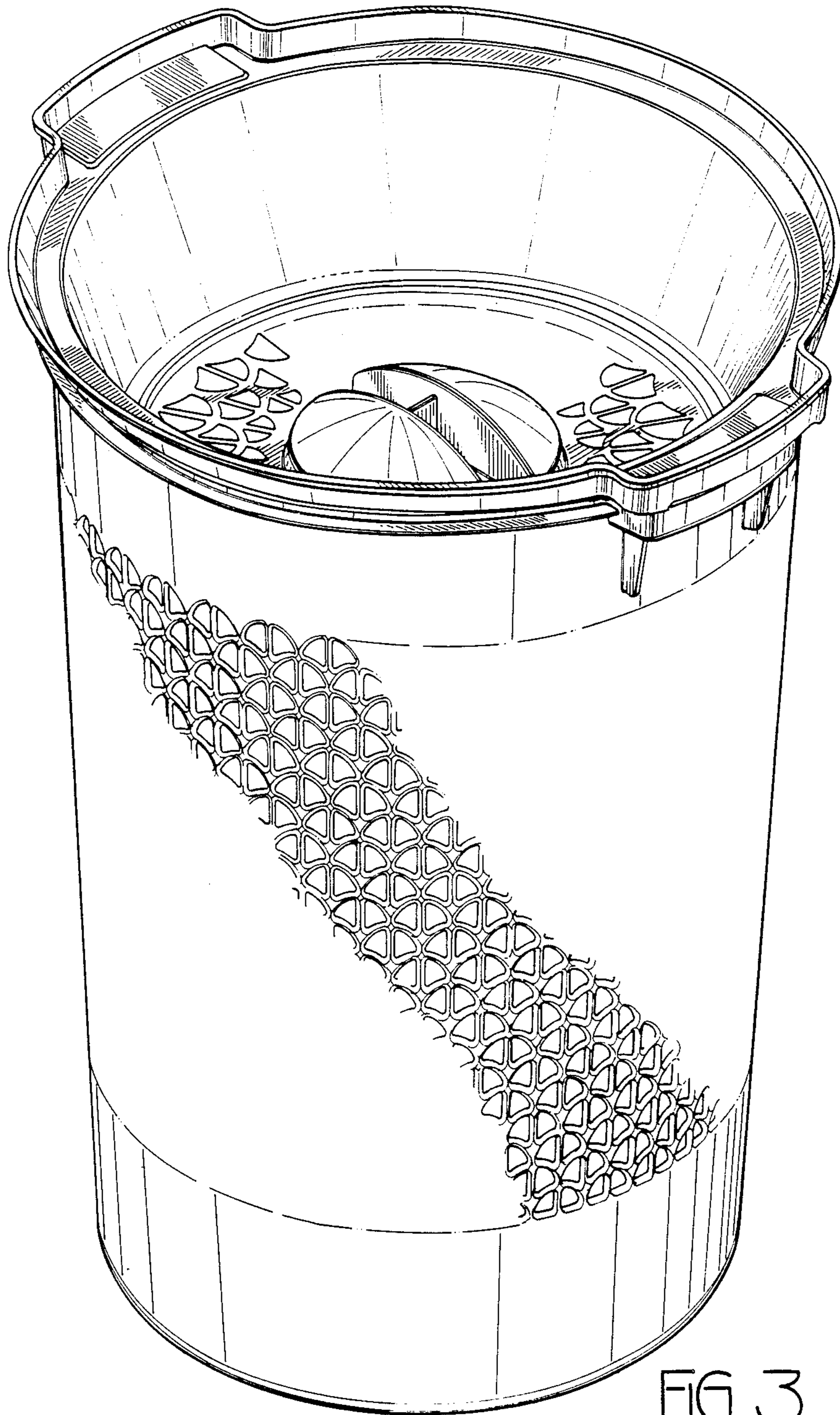


FIG. 3

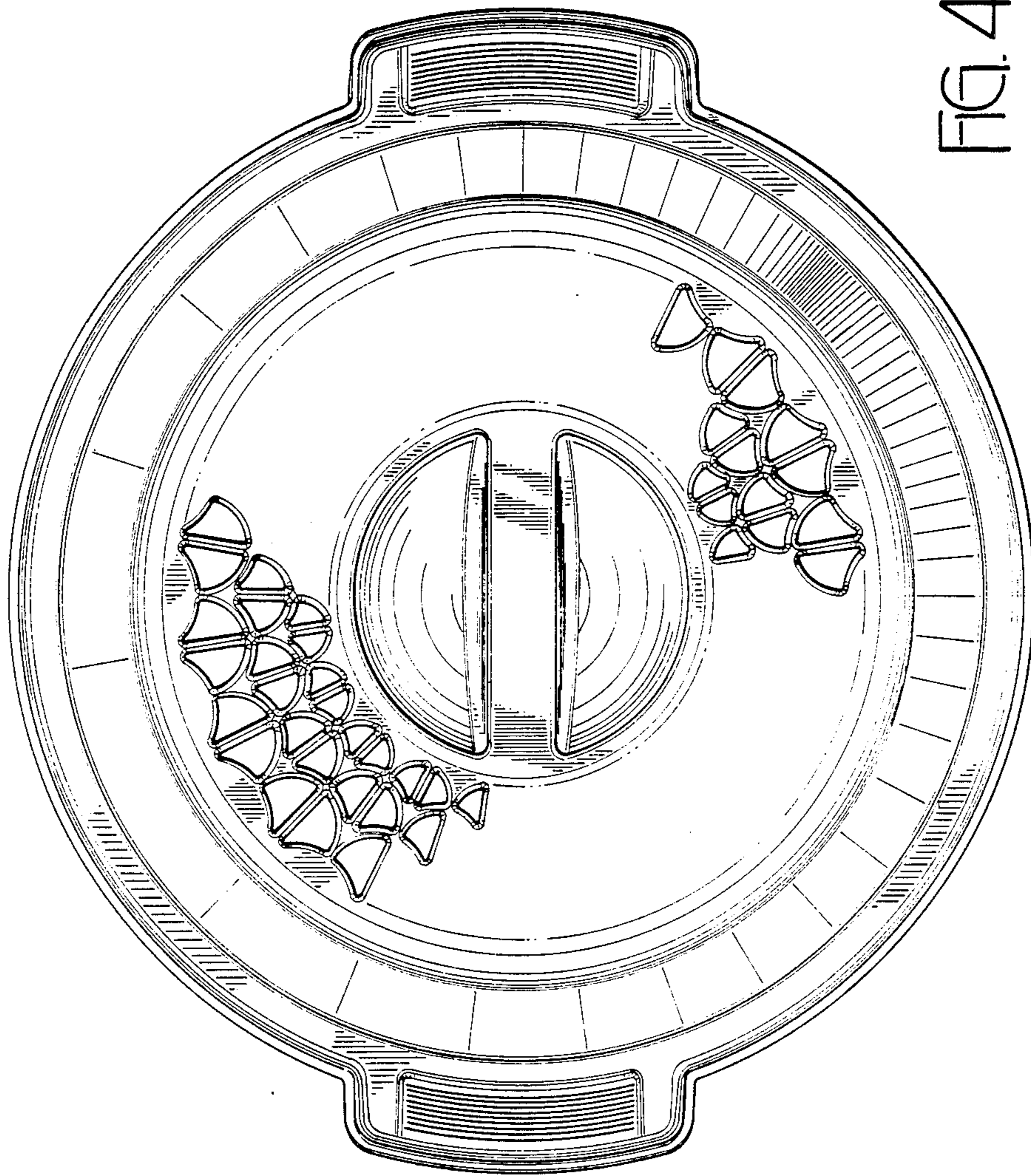


FIG. 4

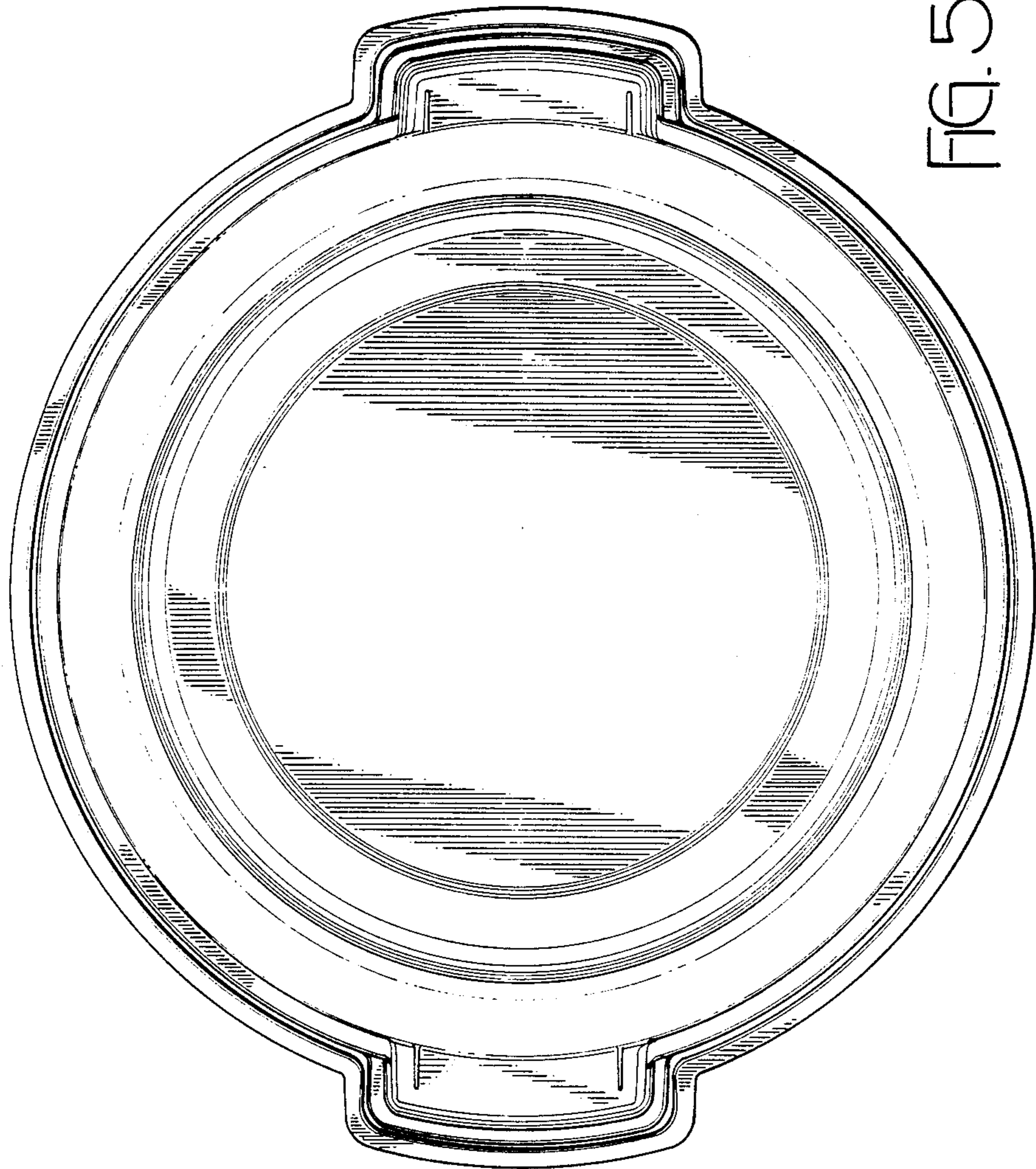


FIG. 5

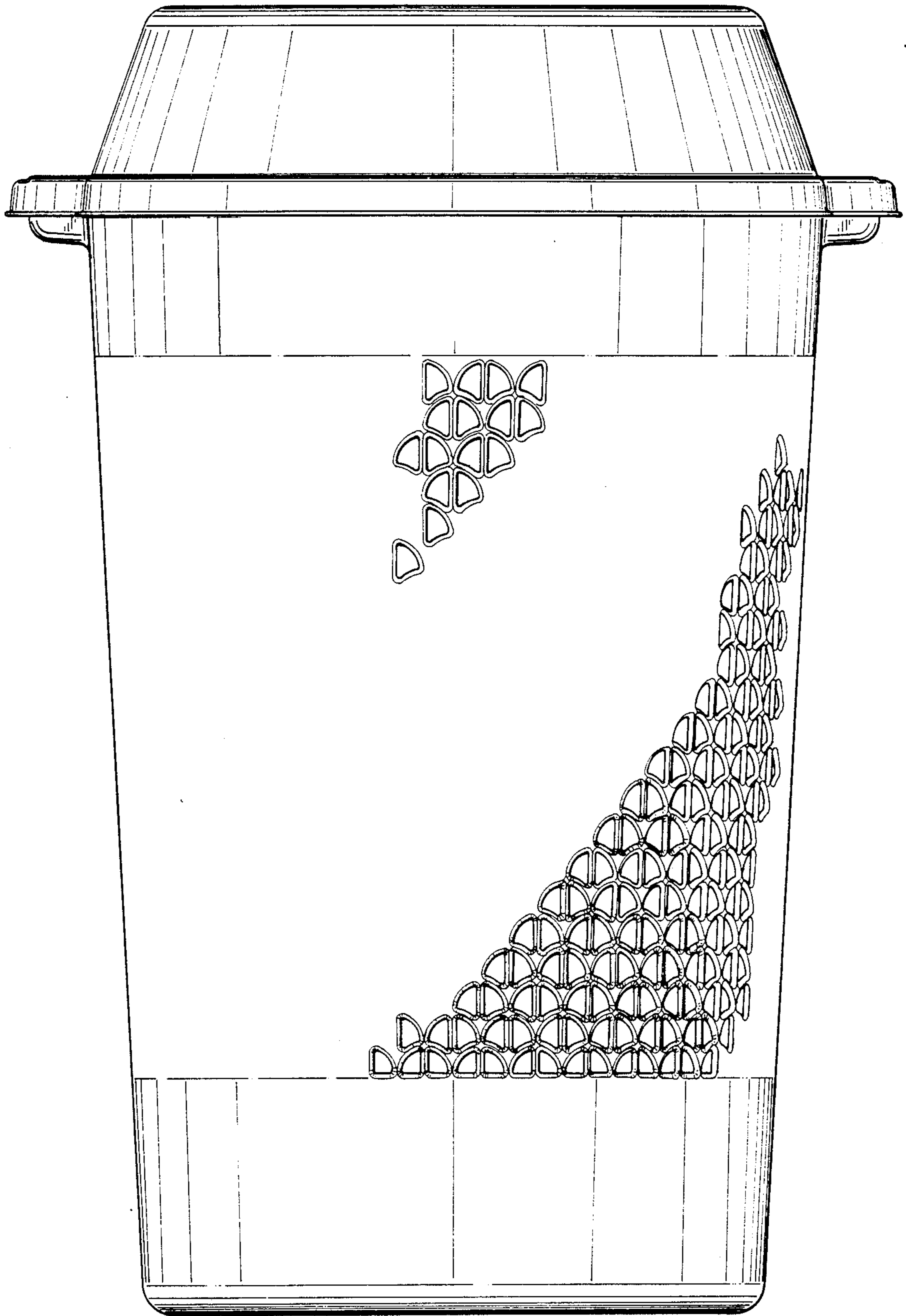


FIG. 6

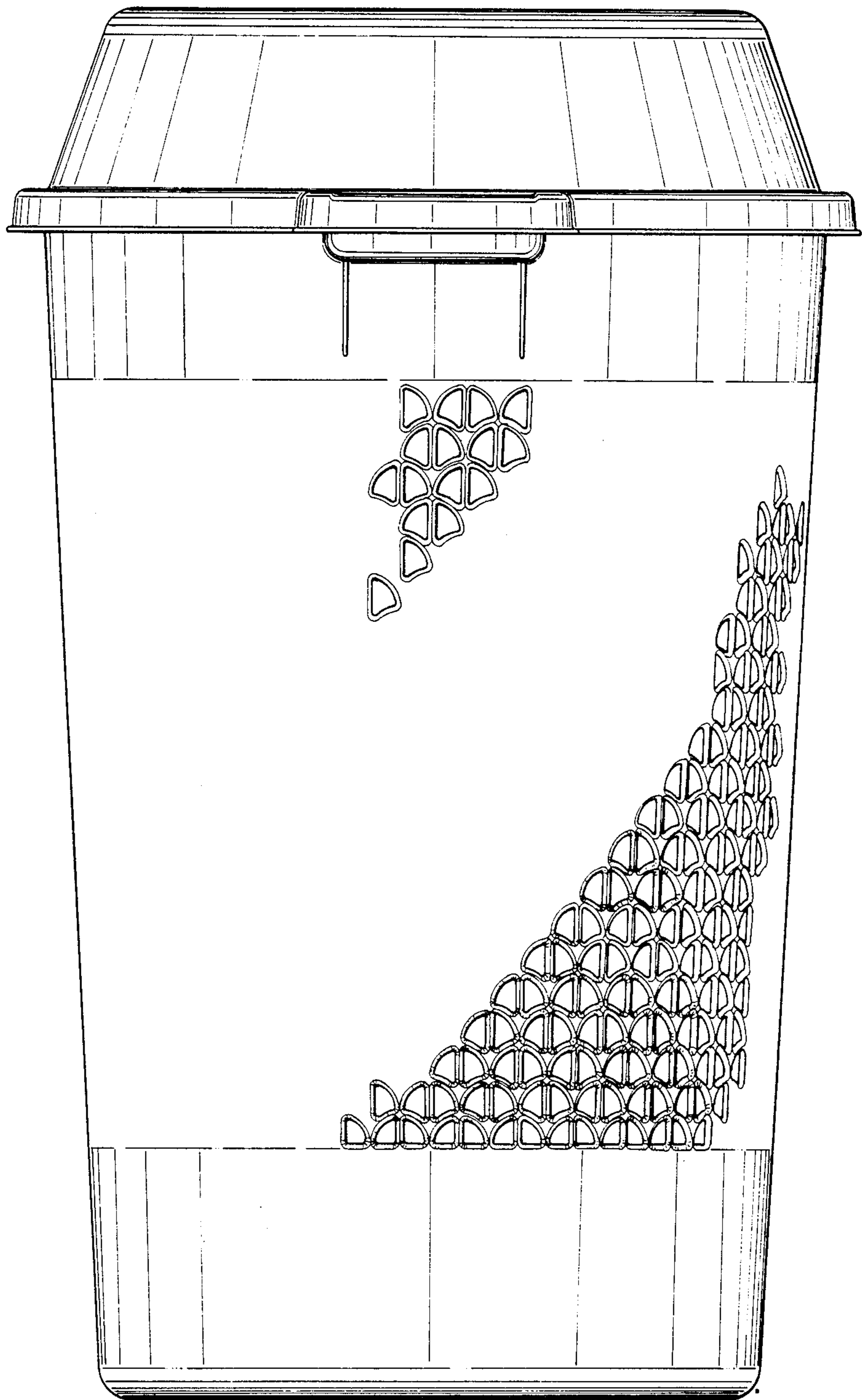


FIG. 7

UNITED STATES PATENT AND TRADEMARK OFFICE
CERTIFICATE OF CORRECTION

PATENT NO. : Des. 312,519
DATED : November 27, 1990
INVENTOR(S) : Jody A. Hobson

It is certified that error appears in the above-identified patent and that said Letters Patent is hereby corrected as shown below:

Title page; item (73) Assignee, should read--
Rubbermaid Incorporated--.

**Signed and Sealed this
Ninth Day of June, 1992**

Attest:

DOUGLAS B. COMER

Attesting Officer

Acting Commissioner of Patents and Trademarks