

[54] **POWERED SUCTION CLEANER NOZZLE**

[75] **Inventor: George L. Schick, Easton, Conn.**

[73] **Assignee: Electrolux Corporation, Atlanta, Ga.**

[**] **Term: 14 Years**

[21] **Appl. No.: 195,534**

[22] **Filed: May 16, 1988**

[52] **U.S. Cl. D32/33**

[58] **Field of Search D32/25, 31-34;
15/415 R, 415 A, 418-422**

[56] **References Cited**

U.S. PATENT DOCUMENTS

- D. 248,476 7/1978 Haynes D32/32
- D. 257,255 10/1980 Robinson D32/33
- D. 262,708 1/1982 Essex D32/32

- D. 263,052 2/1982 Ueda D32/33
- D. 263,236 3/1982 Ueda D32/32
- D. 298,876 12/1988 Yamamoto et al. D32/33

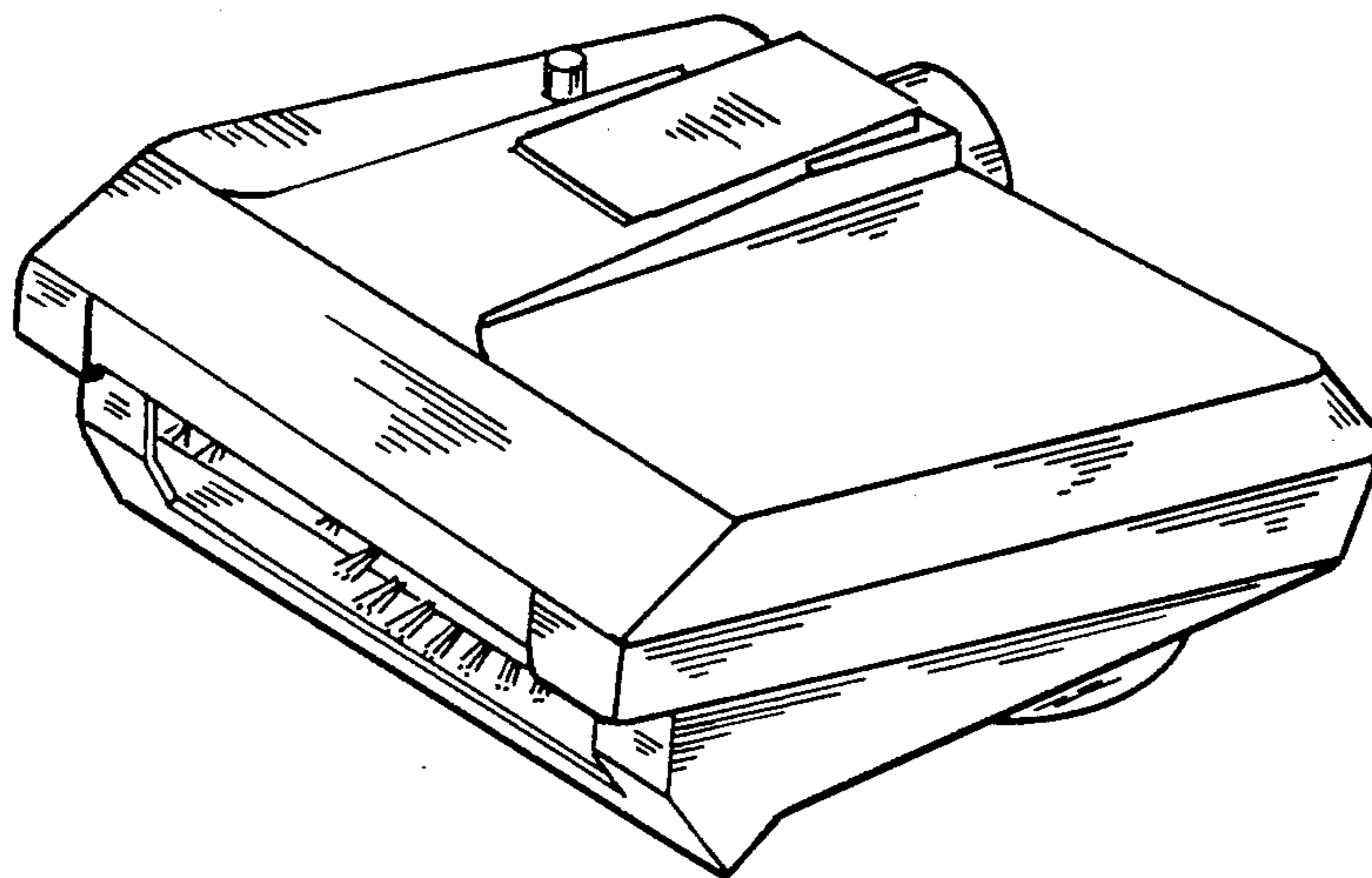
Primary Examiner—A. Hugo Word
Assistant Examiner—Ruth McInroy

[57] **CLAIM**

The ornamental design for a powered suction cleaner nozzle, as shown.

DESCRIPTION

FIG. 1 is a top, front and right side perspective view of a powered suction cleaner nozzle showing my new design;
FIG. 2 is a top plan view thereof;
FIG. 3 is a bottom plan view thereof;
FIG. 4 is a rear elevational view thereof;
FIG. 5 is a front elevational view thereof; and
FIG. 6 is a left side elevational view thereof.



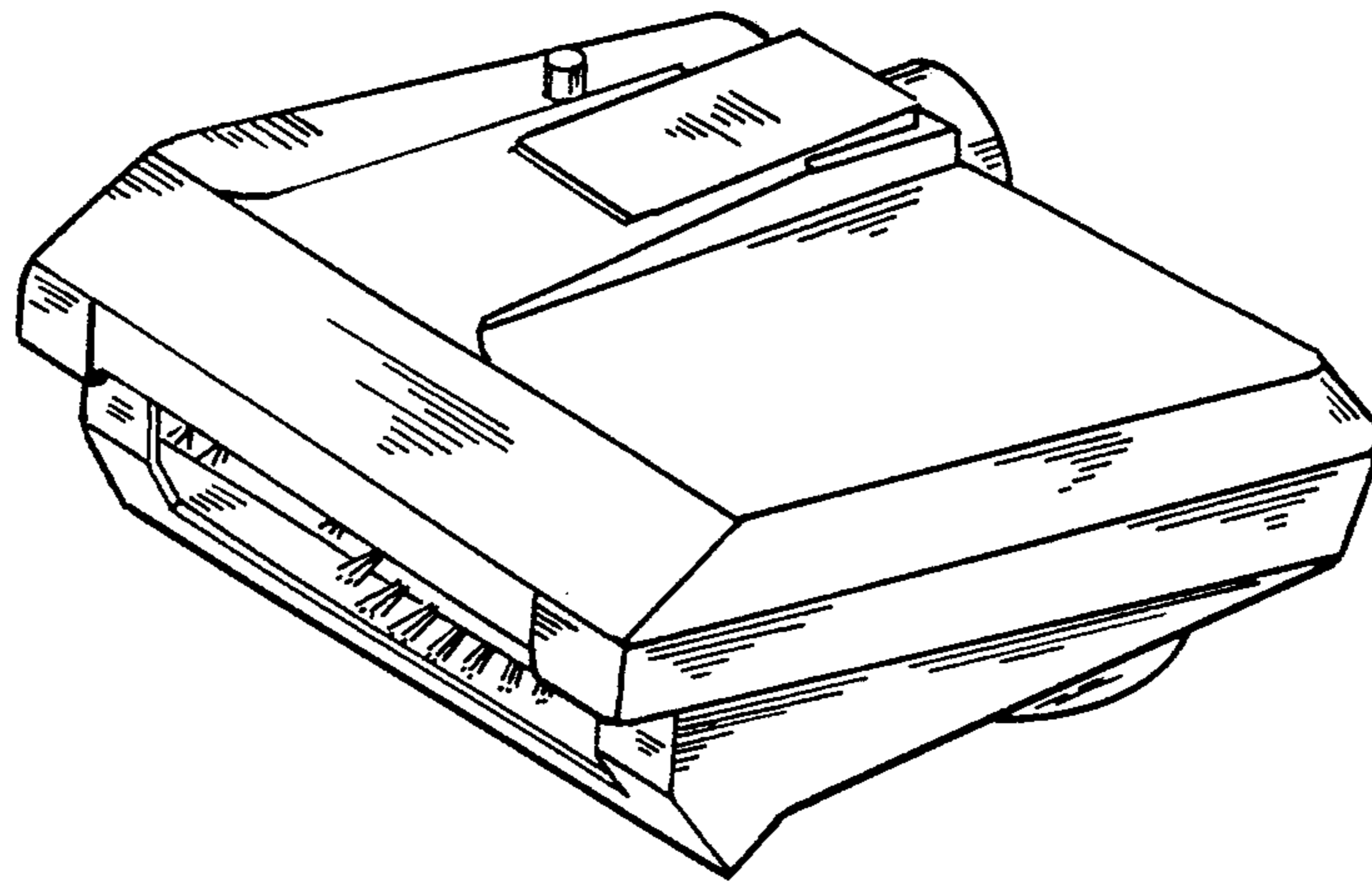


FIG. 1

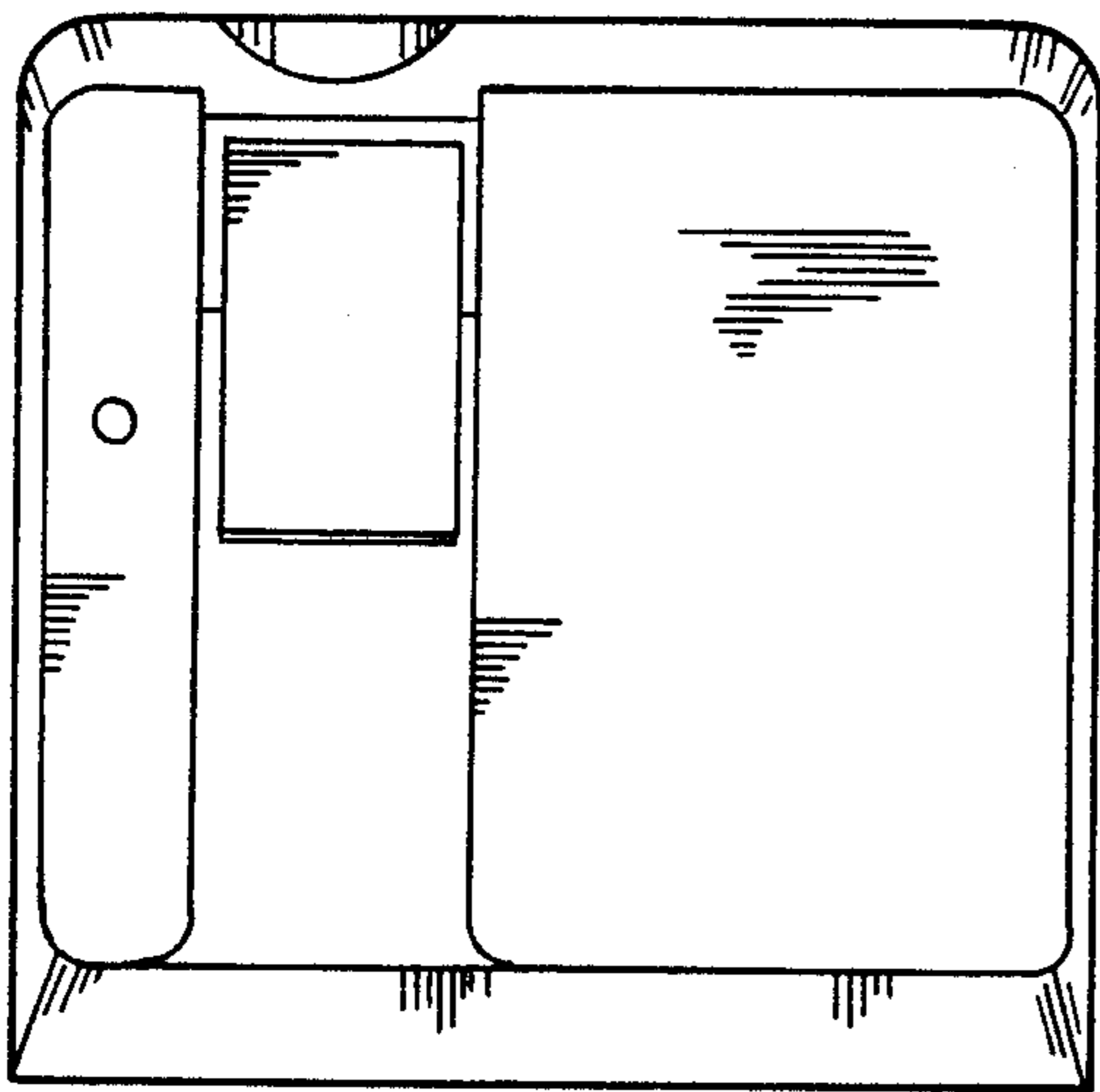


FIG. 2

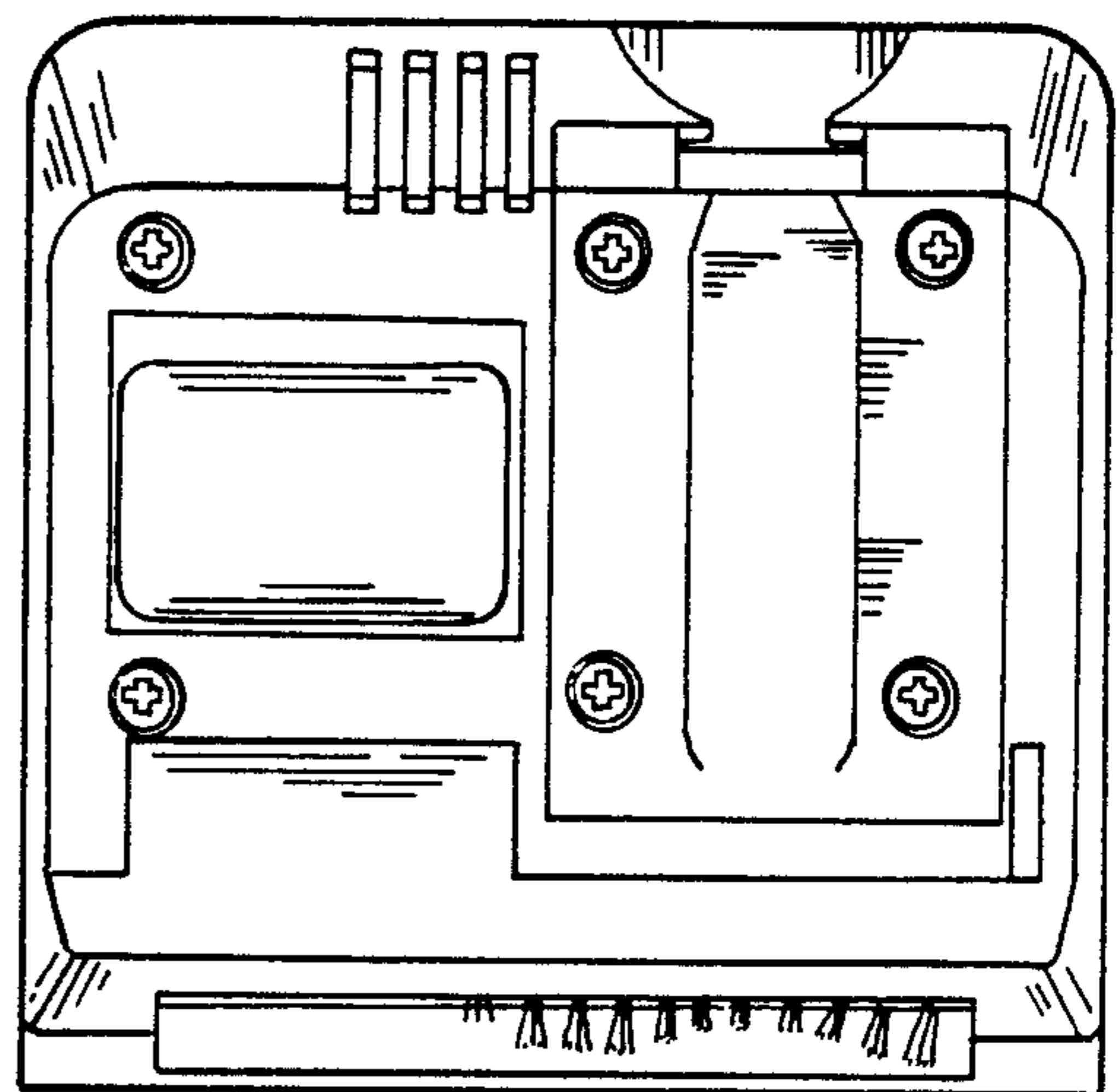


FIG. 3

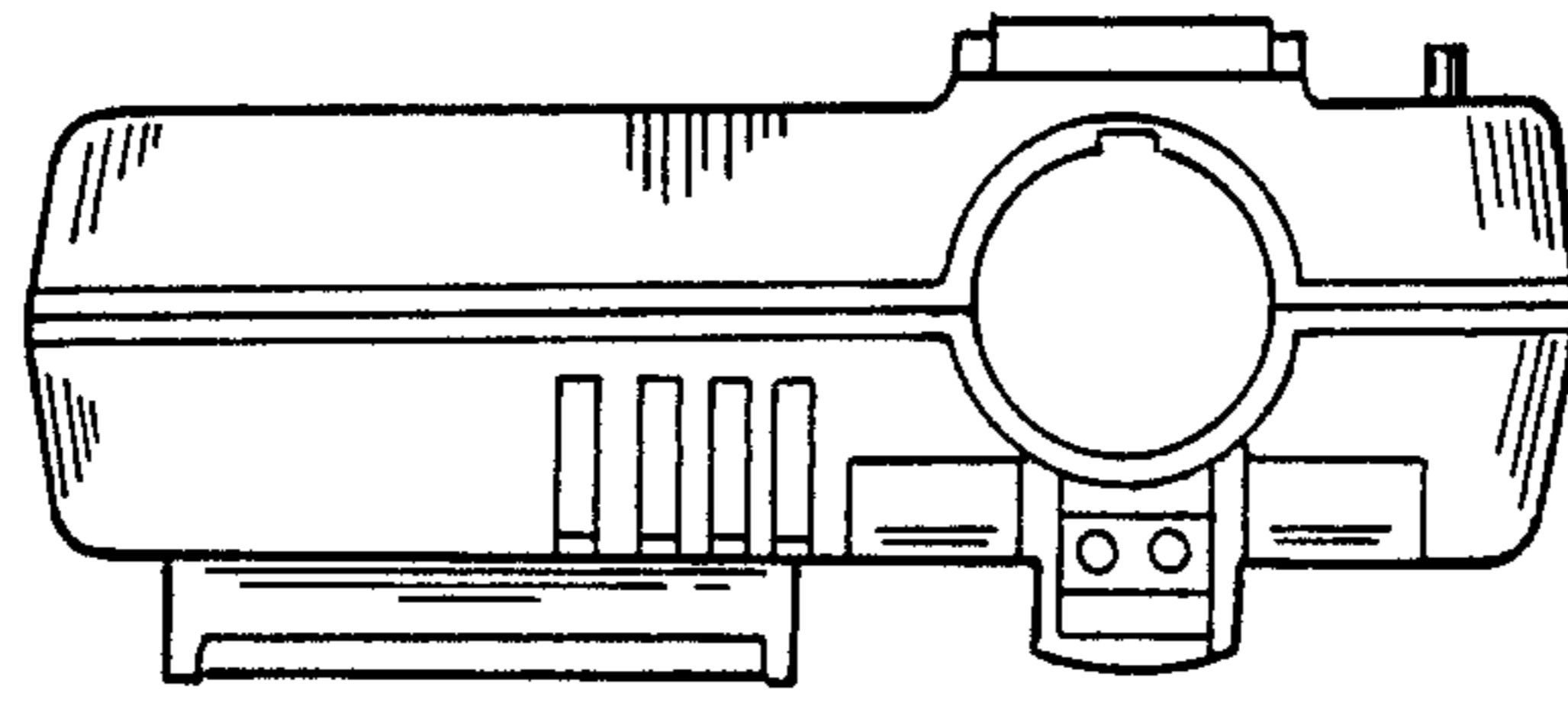


FIG. 4

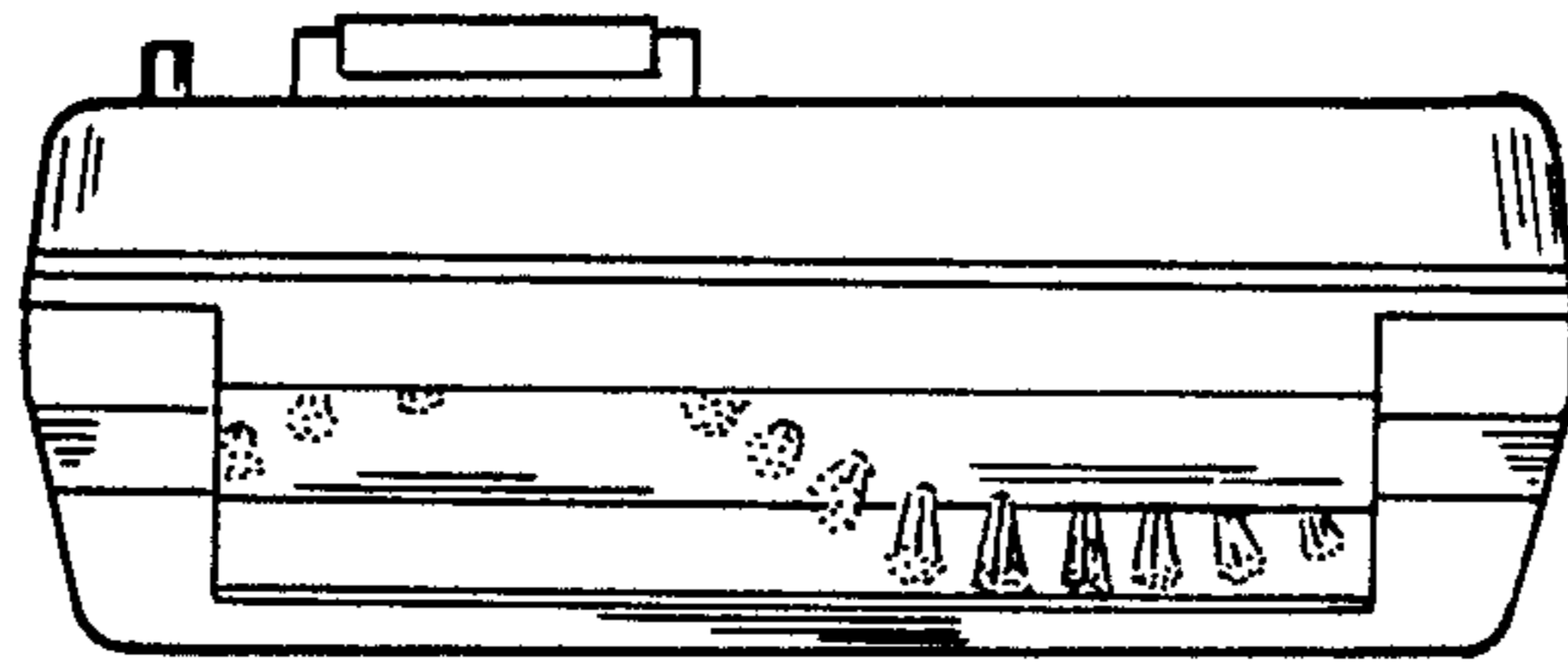


FIG. 5

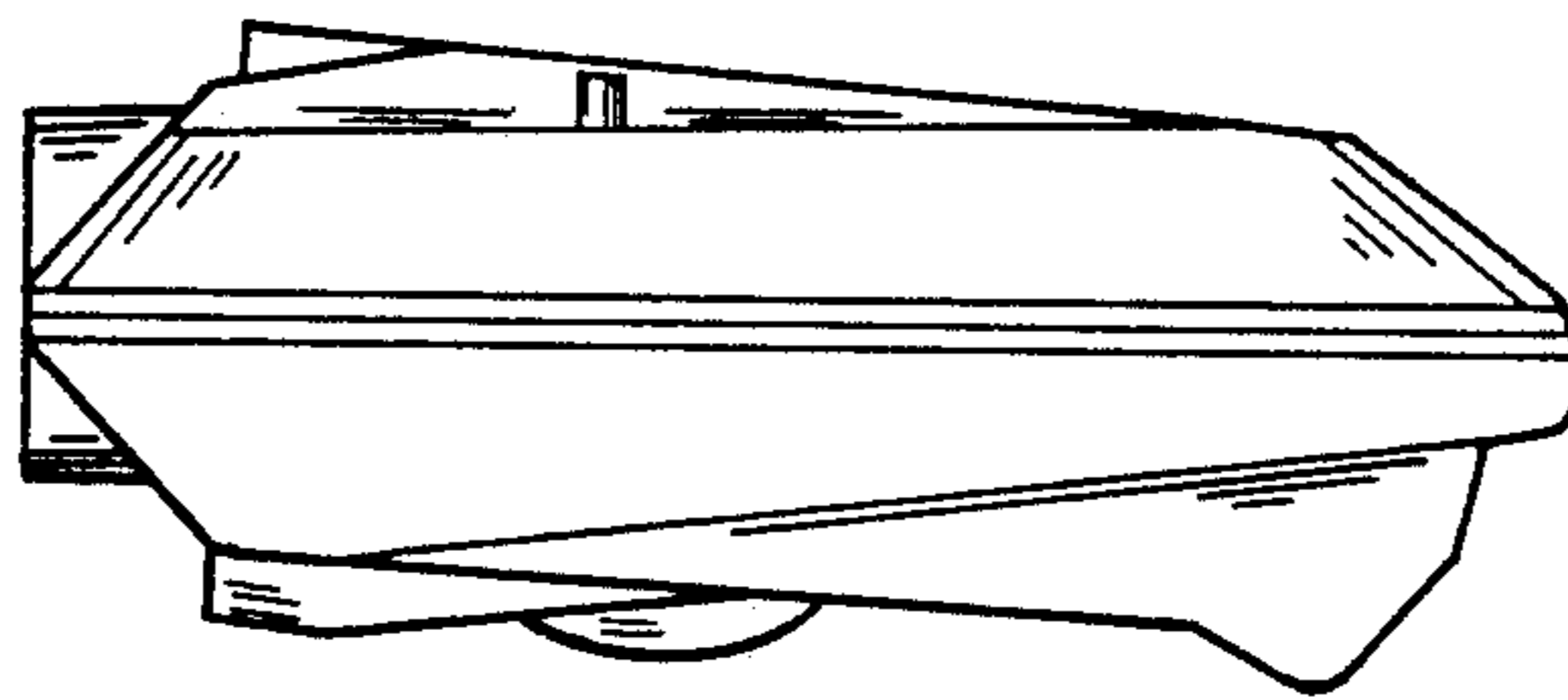


FIG. 6