

[54] BACK-CARRIED VACUUM CLEANER

[75] Inventors: Edward Hohrein, II, Meridian; Bret Vaterlaus, Boise; Russell Biaggne, Boise; Larry R. Shideler, Boise, all of Id.

[73] Assignee: Pro-Team, Inc., Boise, Id.

[**] Term: 14 Years

[21] Appl. No.: 170,456

[22] Filed: Mar. 21, 1988

[52] U.S. Cl. D32/23

[58] Field of Search D32/1, 15-16, D32/21; 15/321, 323, 327 R, 327 F, 327 C

[56] References Cited

U.S. PATENT DOCUMENTS

D. 204,232	4/1966	Nelson	D32/21
D. 204,366	4/1966	Nelson	D32/21
D. 204,367	4/1966	McGuire	D32/21
D. 205,759	9/1966	La Mers et al.	D32/21
D. 219,835	2/1971	Otto et al.	D32/21
1,047,164	12/1912	Butenschoen	.	
1,099,560	6/1914	Matchette	.	
1,255,662	2/1918	Sullivan	.	
2,392,205	1/1946	Wales	183/36
2,595,752	5/1952	Batts	15/327 C

2,854,686	10/1958	Hansen	15/327
3,165,774	1/1965	Barba	15/323
3,286,446	11/1966	Happe et al.	55/357
3,331,090	7/1967	Reiber et al.	15/321
4,325,162	4/1982	Chambers et al.	15/327 C

FOREIGN PATENT DOCUMENTS

325267 3/1935 Italy .

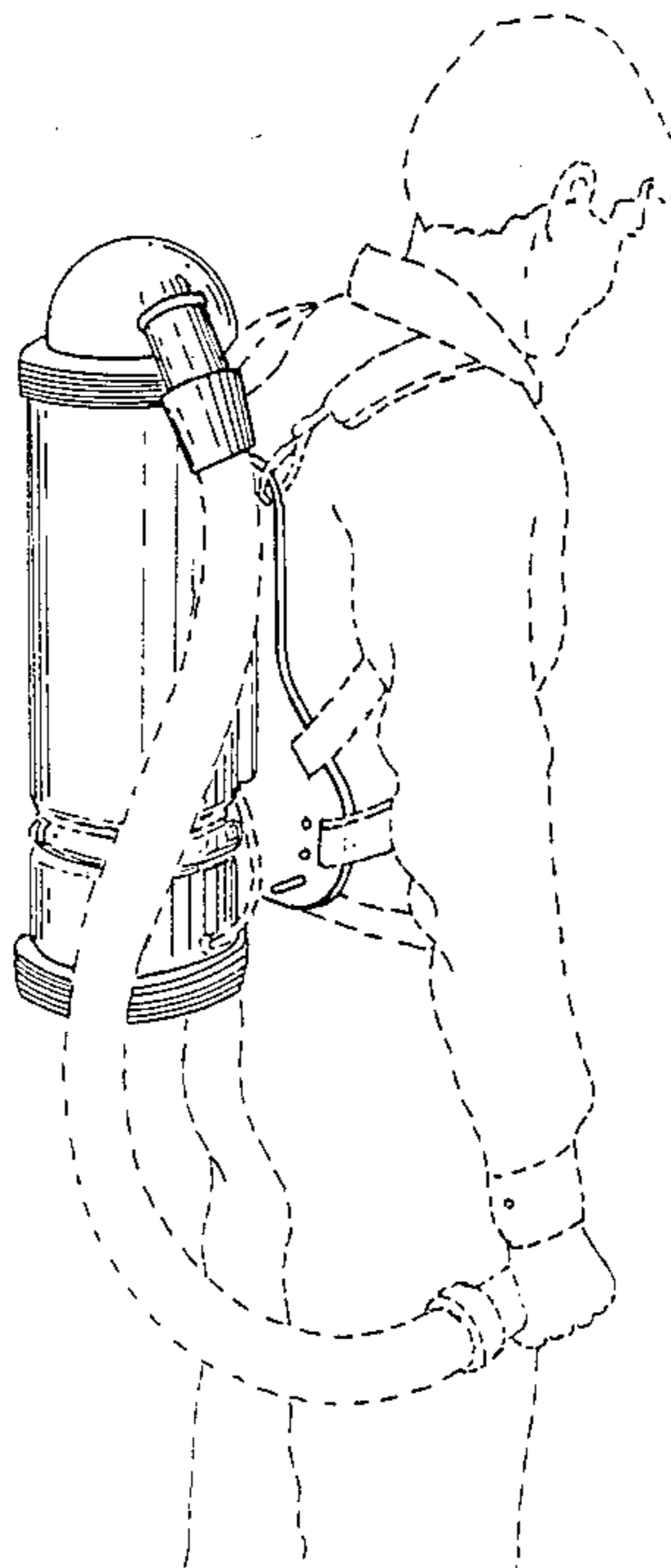
Primary Examiner—A. Hugo Word
Assistant Examiner—Ruth McInroy
Attorney, Agent, or Firm—Laubscher, Presta & Laubscher

[57] CLAIM

The ornamental design for a back-carried vacuum cleaner, as shown and described.

DESCRIPTION

FIG. 1 is a perspective view of a back carried vacuum cleaner showing our new design, the vacuum hose and person shown in broken lines is for illustrative purposes only and forms no part of the claimed design; FIG. 2 is a front elevational view thereof; FIG. 3 is a rear elevational view thereof; FIG. 4 is a top plan view thereof; FIG. 5 is a bottom plan view thereof; FIG. 6 is a right side elevational view thereof; and FIG. 7 is a left side elevational view thereof.



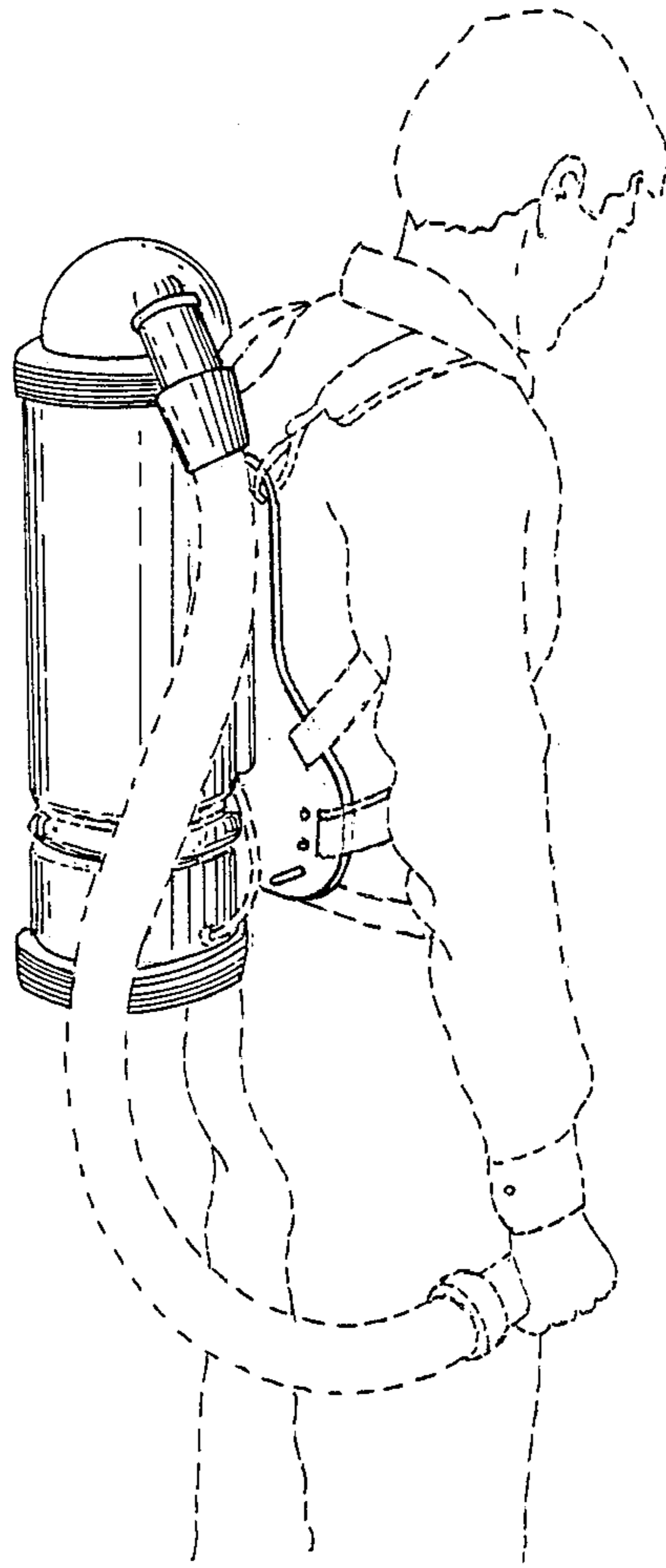


FIG. 1

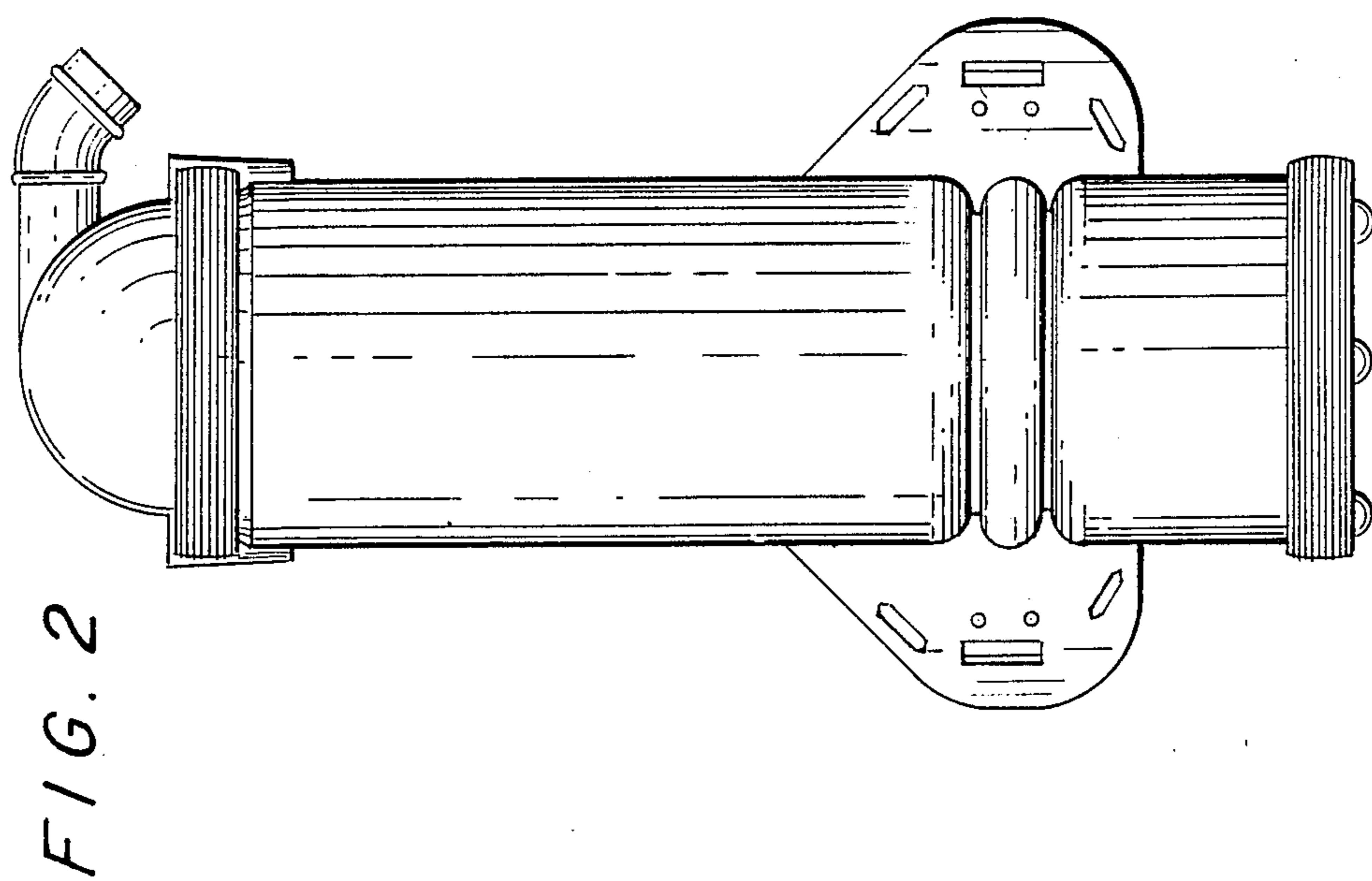
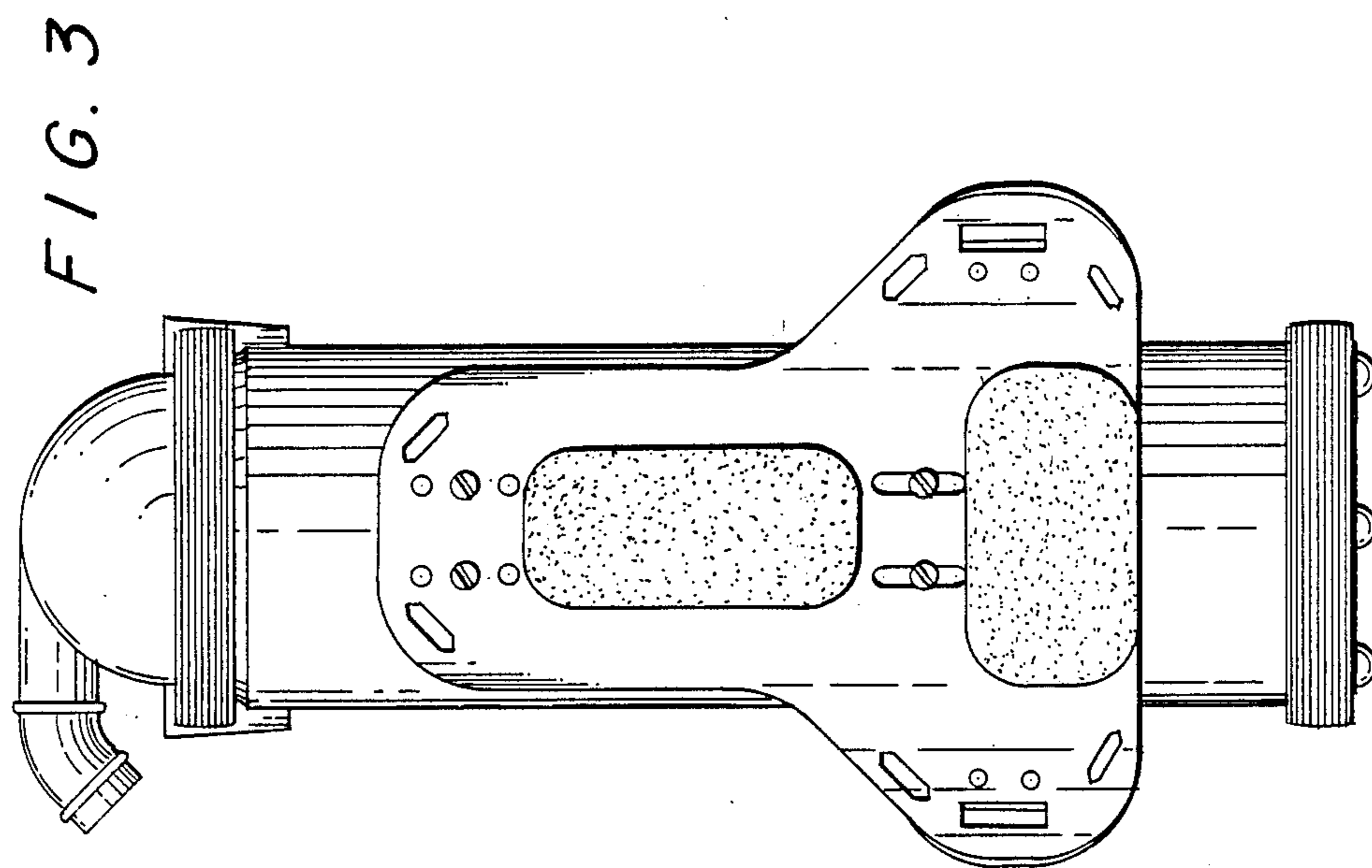


FIG. 4

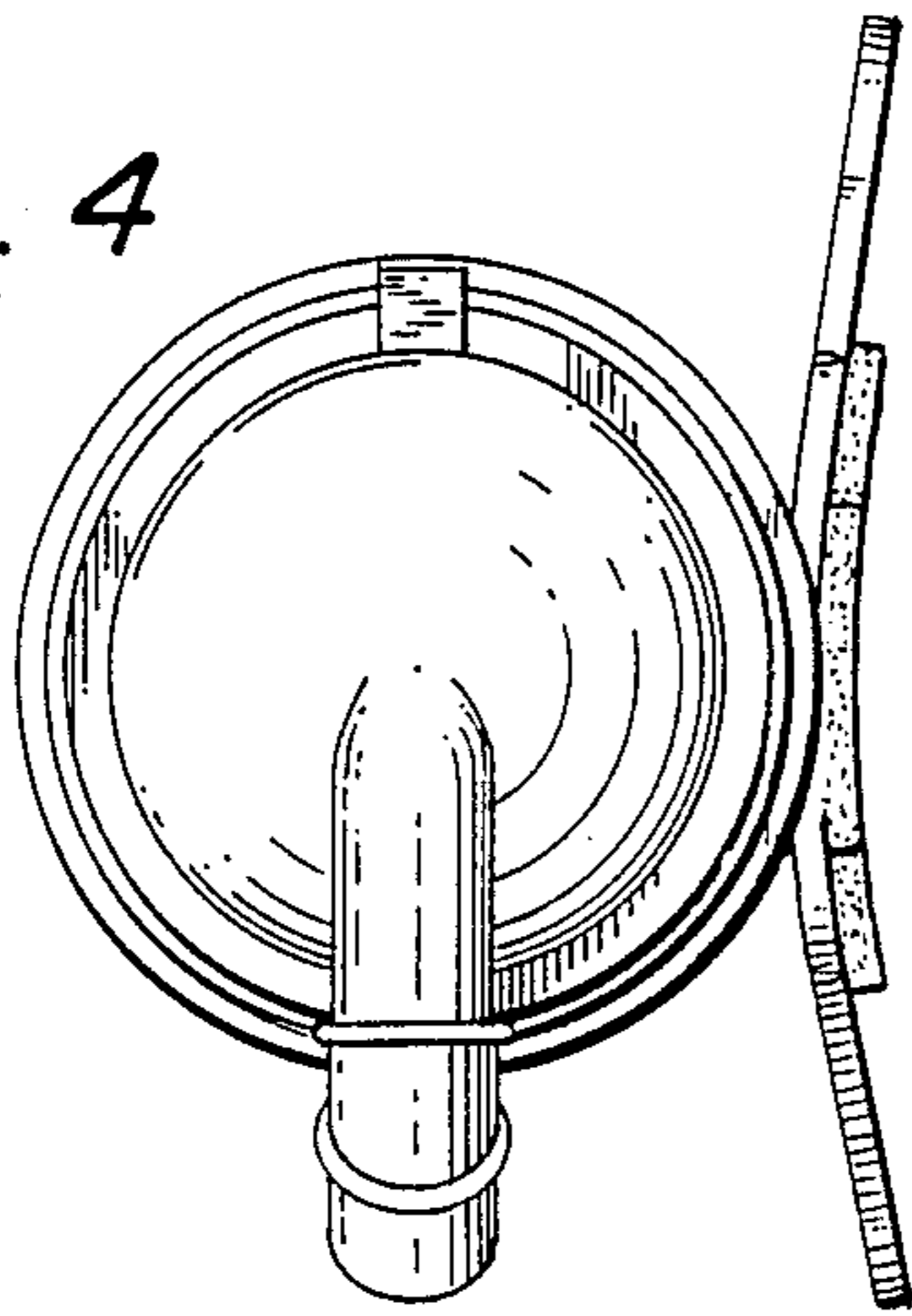


FIG. 5

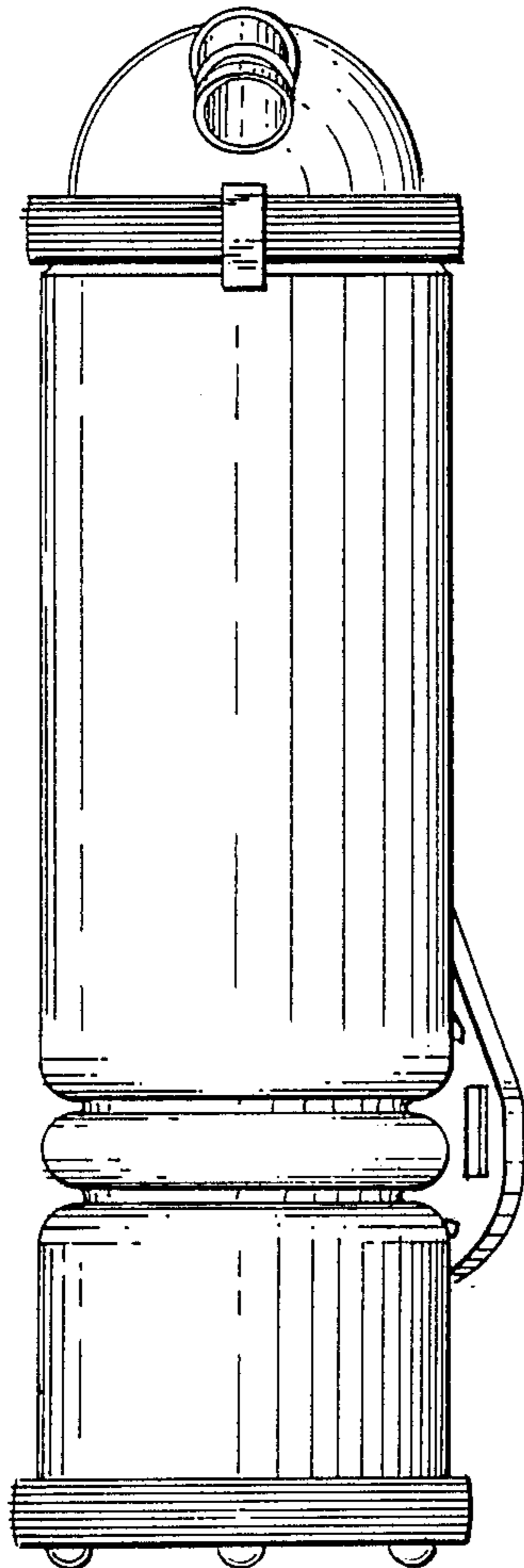
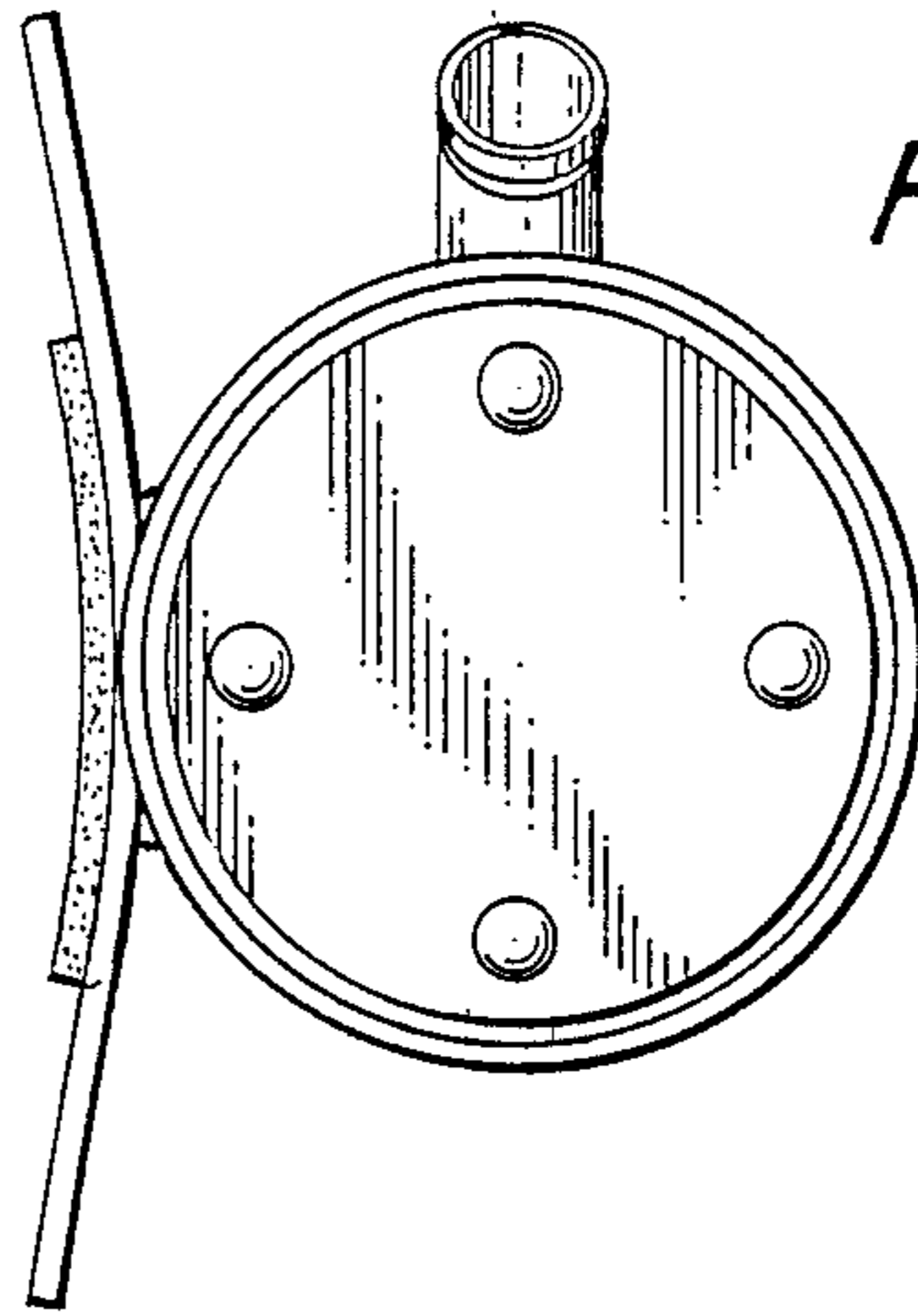


FIG. 6

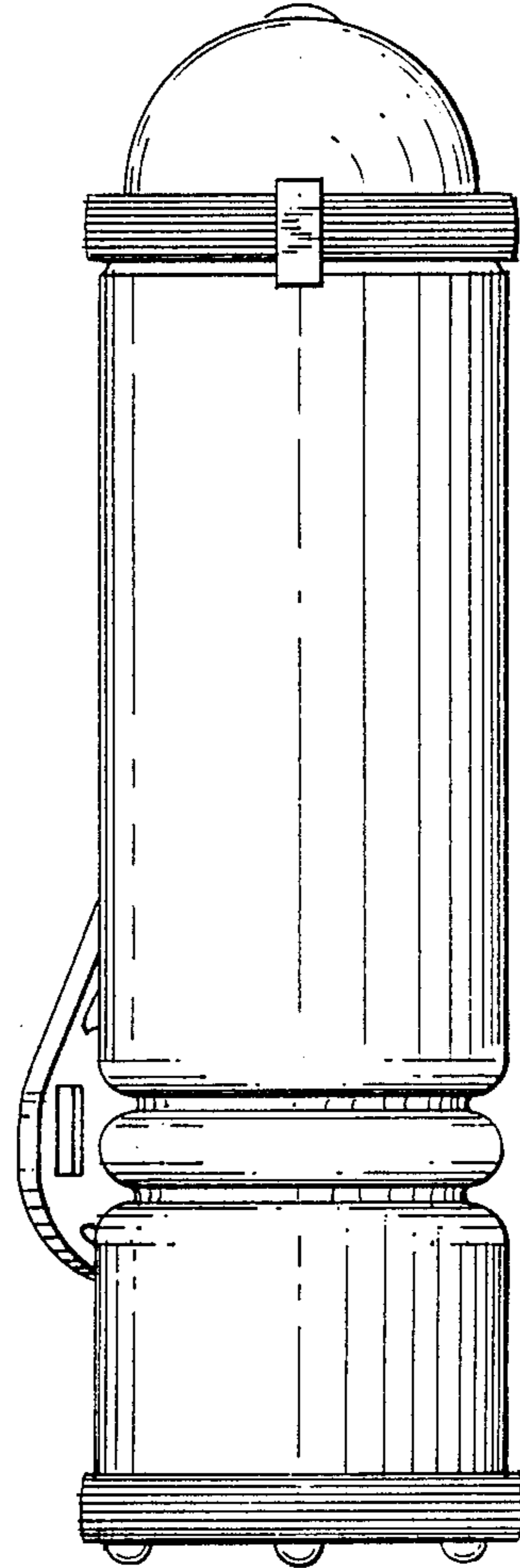


FIG. 7