

# United States Patent [19]

Yuen

[11] Patent Number: **Des. 312,516**

[45] Date of Patent: **\*\* Nov. 27, 1990**

[54] **CAR VACUUM CLEANER**

[75] Inventor: **John S. Yuen, Kowloon, Hong Kong**

[73] Assignee: **John Manufacturing Limited,  
Kowloon, Hong Kong**

[\*\*] Term: **14 Years**

[21] Appl. No.: **222,739**

[22] Filed: **Jul. 22, 1988**

[30] **Foreign Application Priority Data**

Jan. 25, 1988 [GB] United Kingdom ..... 1047914

[52] U.S. Cl. .... **D32/18**

[58] Field of Search ..... D32/17-18;  
15/344, 329

[56] **References Cited**

**U.S. PATENT DOCUMENTS**

D. 257,661 12/1980 Gantz ..... D32/18

D. 287,657 1/1987 Yuen ..... D32/18

D. 298,874 12/1988 Nakamura ..... D32/18

D. 301,783 6/1989 Adams ..... D32/18  
D. 303,025 8/1989 Yamamoto et al. .... D32/18

*Primary Examiner*—A. Hugo Word

*Assistant Examiner*—Ruth McInroy

*Attorney, Agent, or Firm*—Fay, Sharpe, Beall, Fagan,  
Minnich & McKee

[57] **CLAIM**

The ornamental design for a car vacuum cleaner, as shown and described.

**DESCRIPTION**

FIG. 1 is a top plan view of a car vacuum cleaner showing my new design;

FIG. 2 is a right side elevational view thereof, the opposite side being a mirror image;

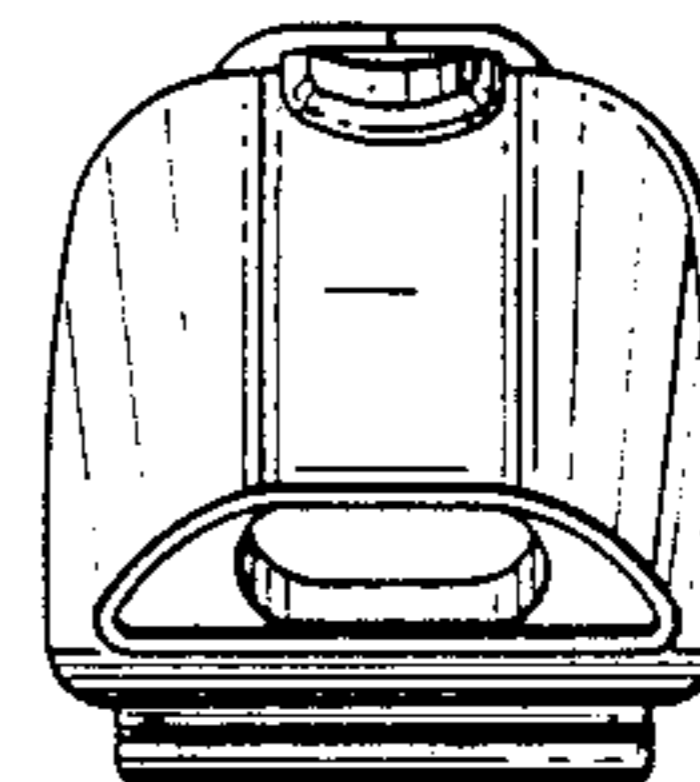
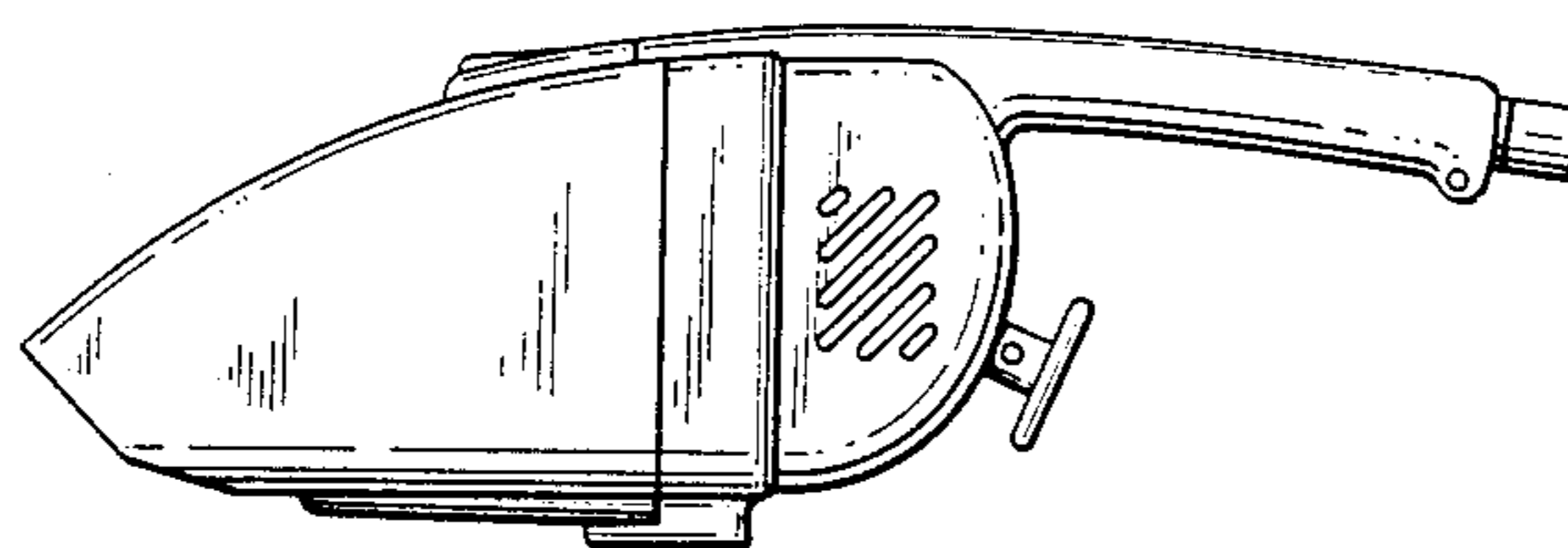
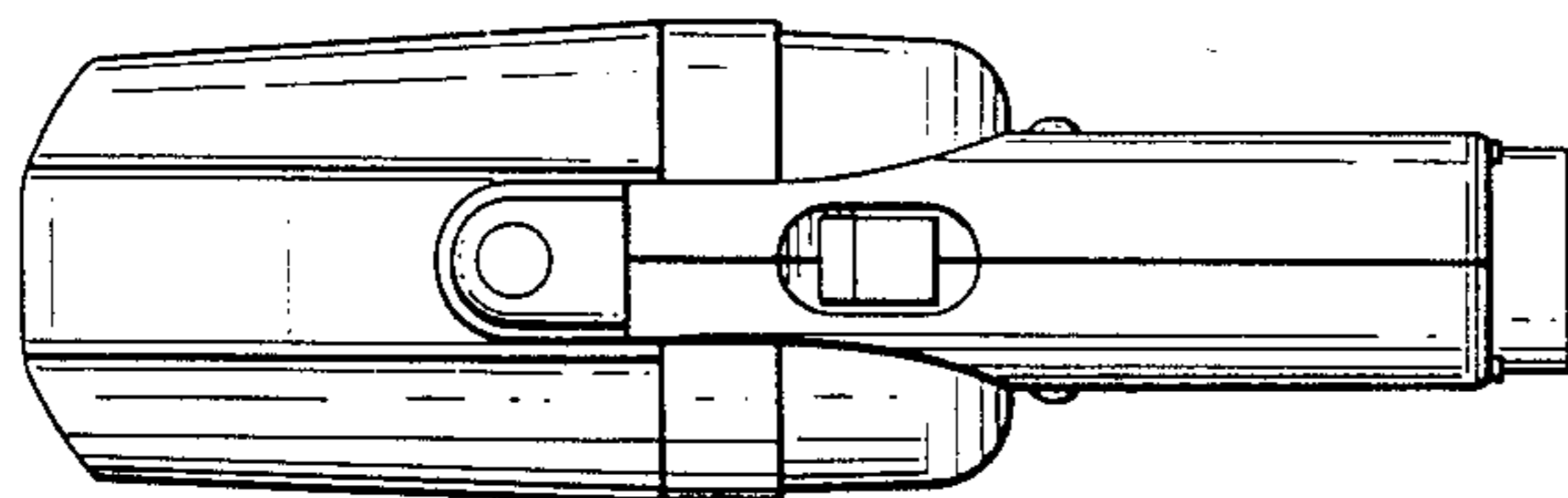
FIG. 3 is a bottom plan view thereof;

FIG. 4 is a rear elevational view thereof;

FIG. 5 is a front elevational view thereof;

FIG. 6 is an exploded top plan view thereof; and

FIG. 7 is an exploded right side elevational view thereof.



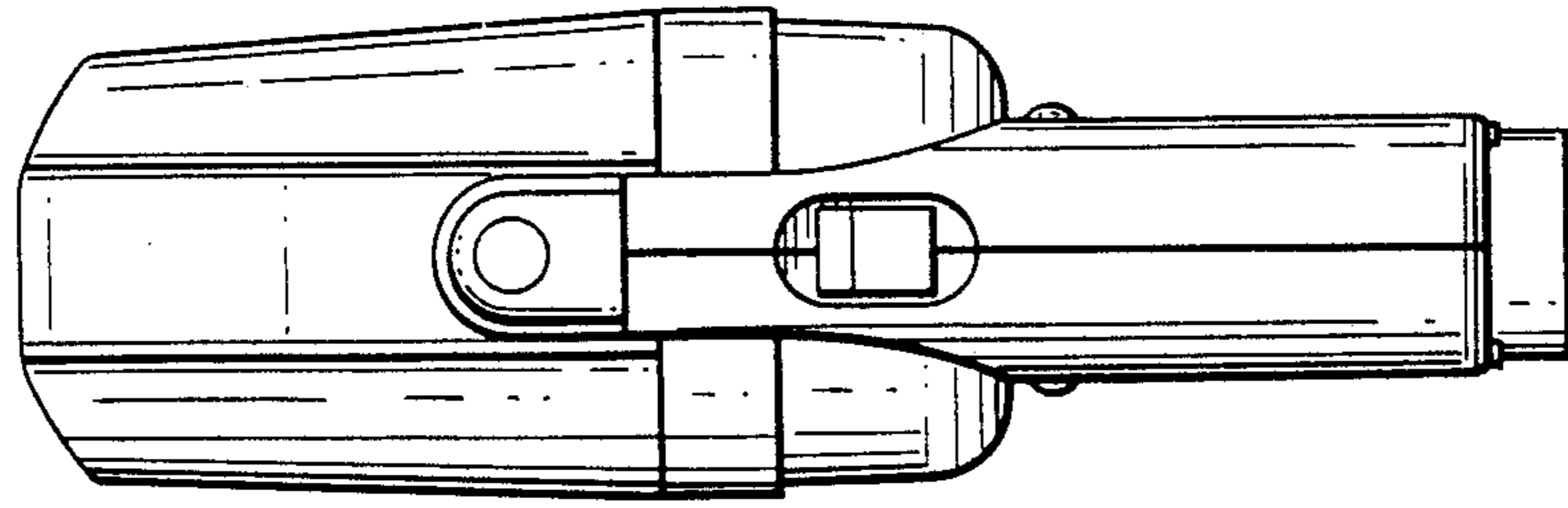


FIG. 1

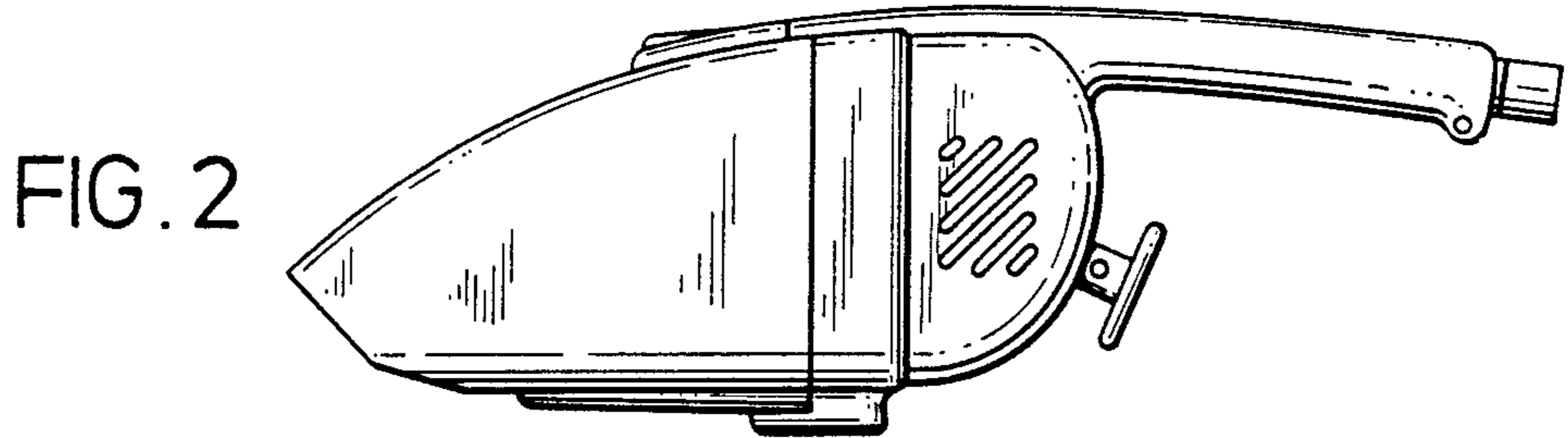


FIG. 2

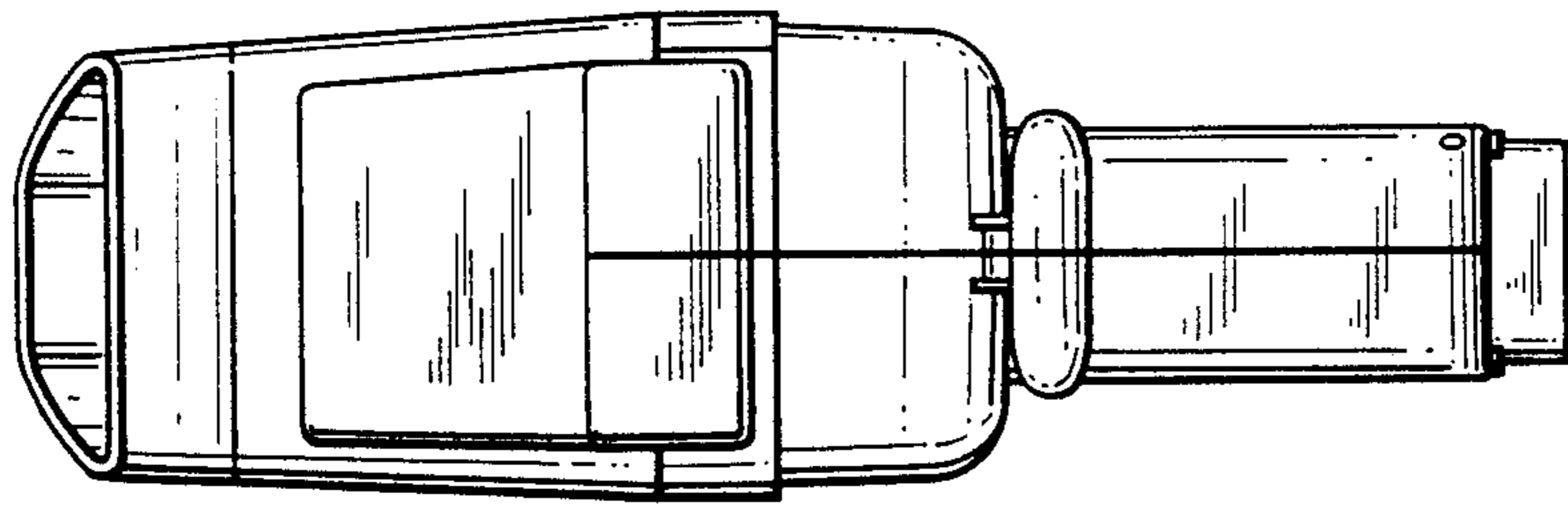


FIG. 3

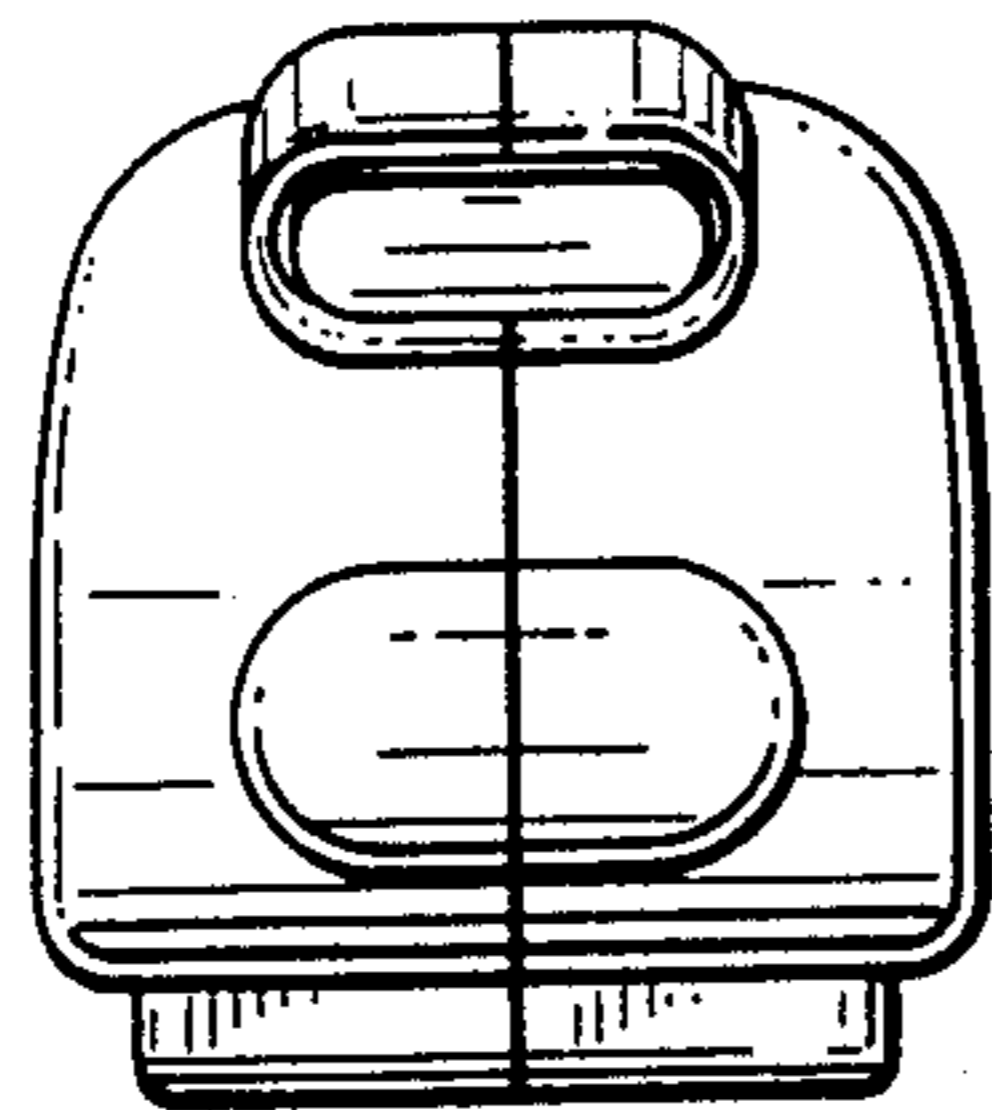


FIG. 4

FIG. 5

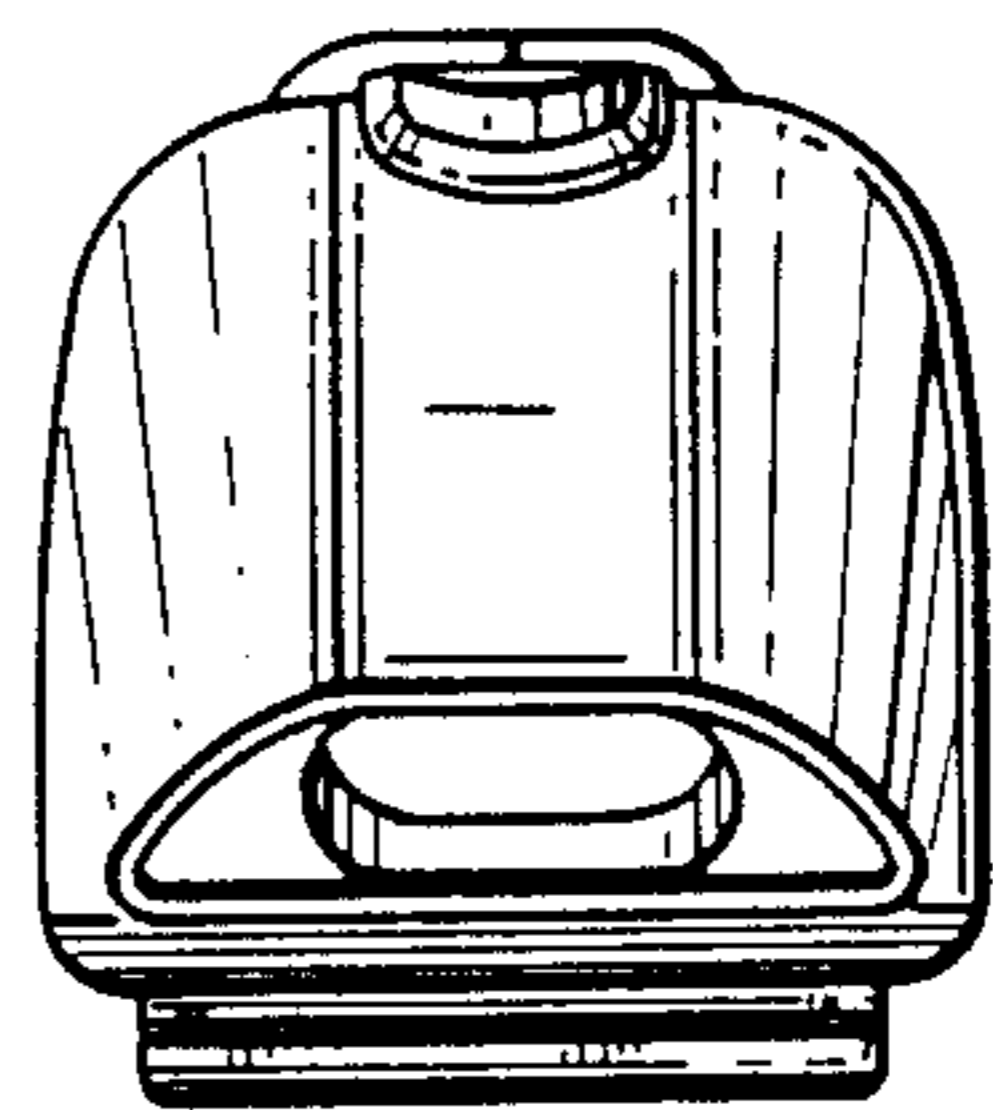


FIG. 6

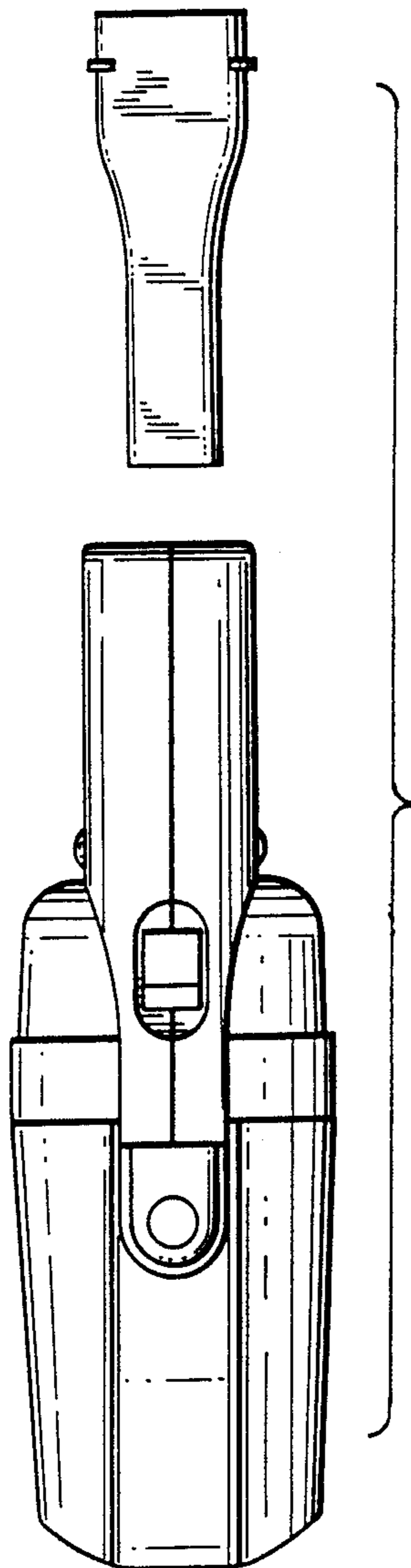


FIG. 7

