

[54] UNITARY FILTER AND COVER FOR ANIMAL CAGES

[75] Inventor: William R. Thomas, Conyngham, Pa.

[73] Assignee: Universal Filter Corp., Hazleton, Pa.

[**] Term: 14 Years

[21] Appl. No.: 5,408

[22] Filed: Jan. 20, 1987

[52] U.S. Cl. D30/119

[58] Field of Search D30/108-120; 119/15, 5, 50, 17; 47/44; 248/346, 905

[56] References Cited

U.S. PATENT DOCUMENTS

D. 163,377	5/1951	Feldman	D30/101
2,467,525	4/1949	Fricke	119/15
2,988,044	6/1961	Adelberg et al.	.	
3,343,520	9/1967	Schwarz, Jr.	.	
3,528,227	9/1970	Lee et al.	.	
3,528,390	9/1970	Lee	.	
3,537,428	11/1970	Montgomery	119/15
3,613,639	10/1971	Lee et al.	.	
3,830,200	8/1974	Patterson	.	
4,435,195	3/1984	Testone	119/15
4,480,587	11/1984	Sedlacek	.	
4,528,941	7/1985	Spengler	.	
4,593,650	6/1986	Lattvada	.	
4,640,228	2/1987	Sedlacek et al.	119/15

FOREIGN PATENT DOCUMENTS

0036628 9/1981 Fed. Rep. of Germany .
2065440 7/1981 United Kingdom .

OTHER PUBLICATIONS

"Laboratory Animal Science", American Assoc. for Laboratory Animal Science, vol. 33, Dec. 1983, pp. 523, 580-582.

"Laboratory Animal Science", Am. Assoc. for Laboratory Animal Science, vol. 34, 1984, pp. 567-568.

Primary Examiner—James R. Largen

Assistant Examiner—Cathy Anne MacCormac

Attorney, Agent, or Firm—Eckert Seamans Cherin & Mellott

[57] CLAIM

The ornamental design for a unitary filter and cover for animal cages, as shown and described.

DESCRIPTION

FIG. 1 is a top plan view of a unitary filter and cover for animal cages showing my new design;

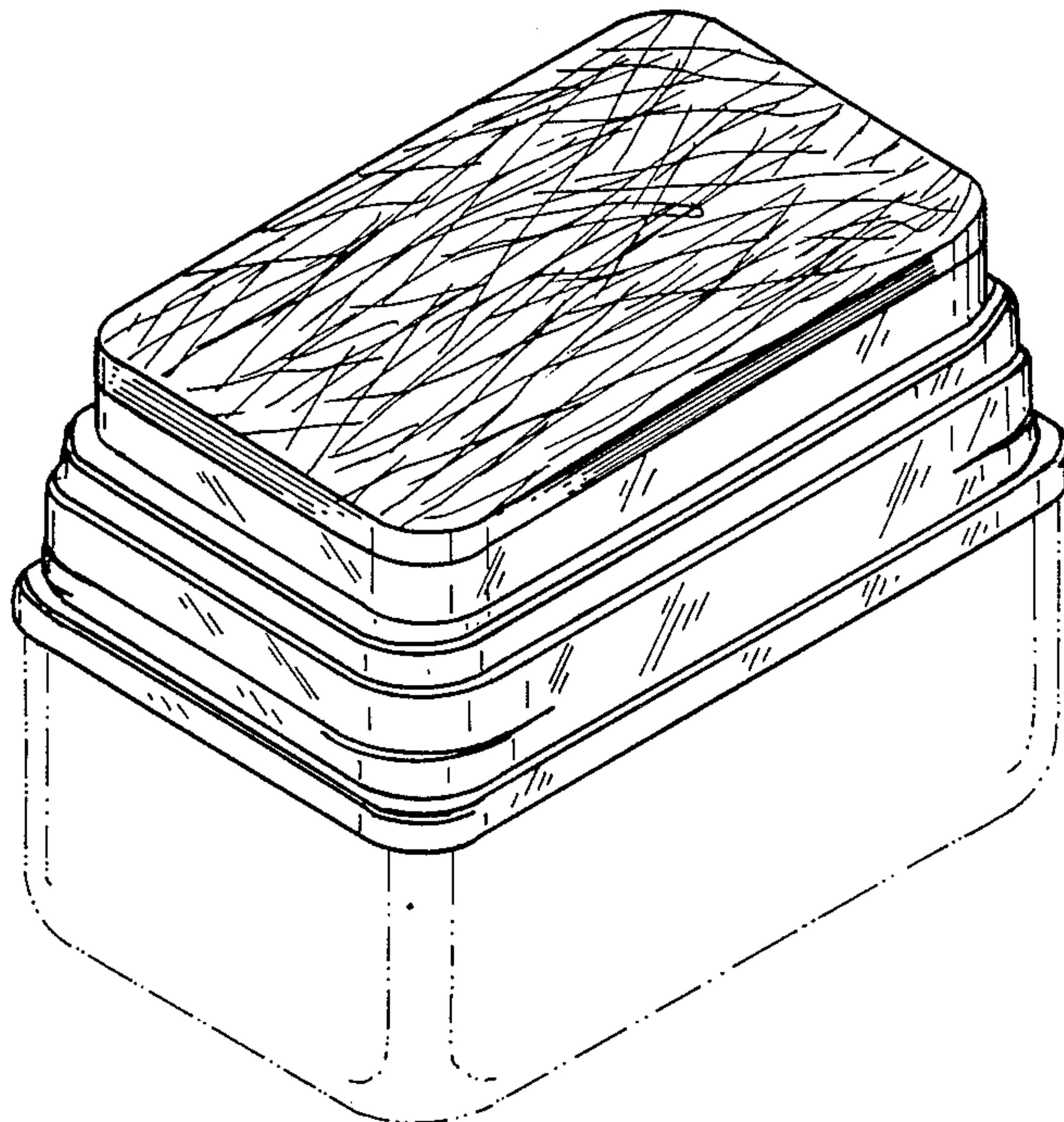
FIG. 2 is a bottom plan view thereof;

FIG. 3 is a side elevational view thereof, the opposite side being identical to the side shown;

FIG. 4 is an end elevational view, the opposite end being identical to the end shown; and

FIG. 5 is a top perspective view thereof.

The broken line representation of a cage is for illustrative purposes only and forms no part of the claimed design.



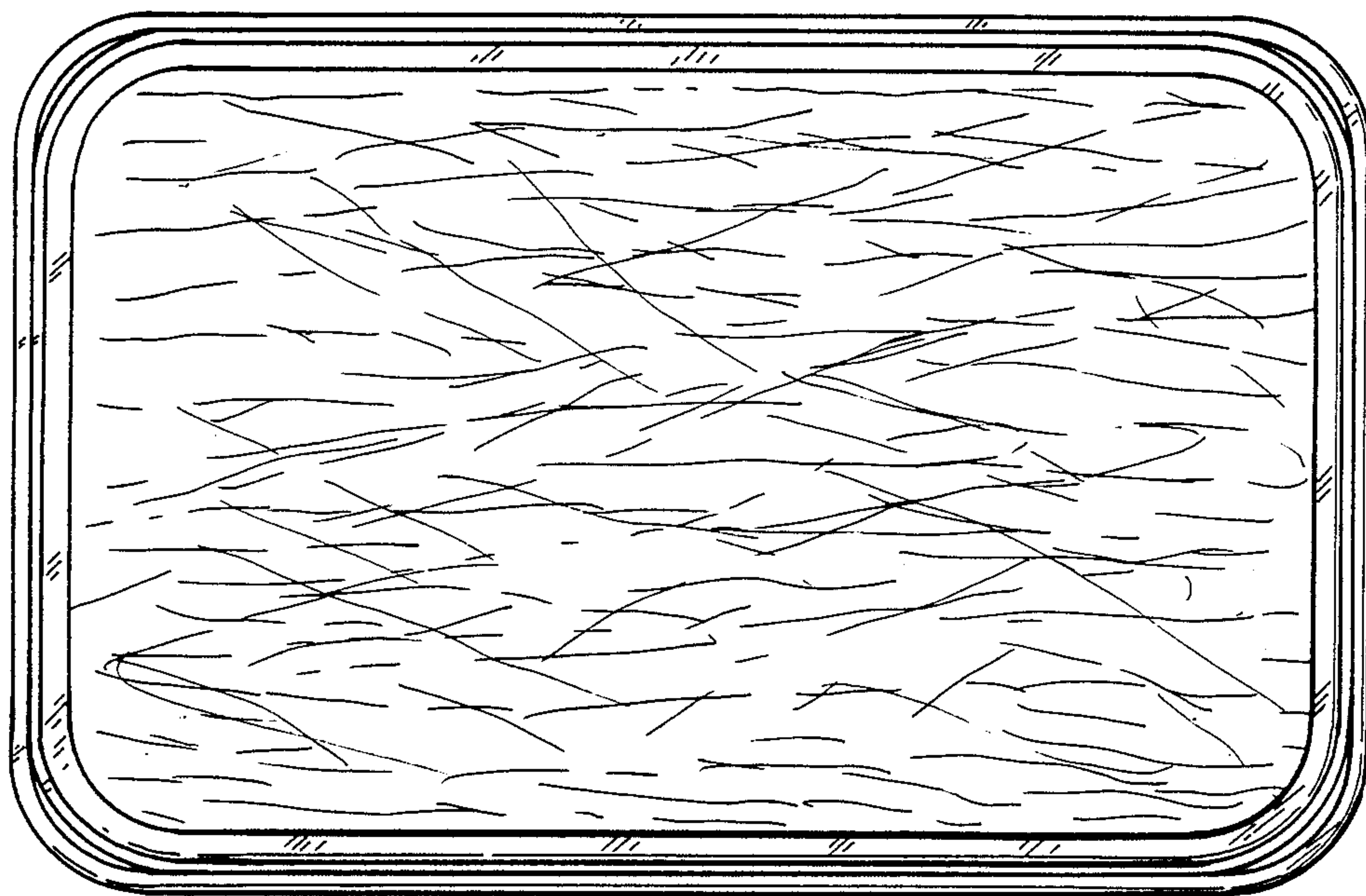


FIG. 1

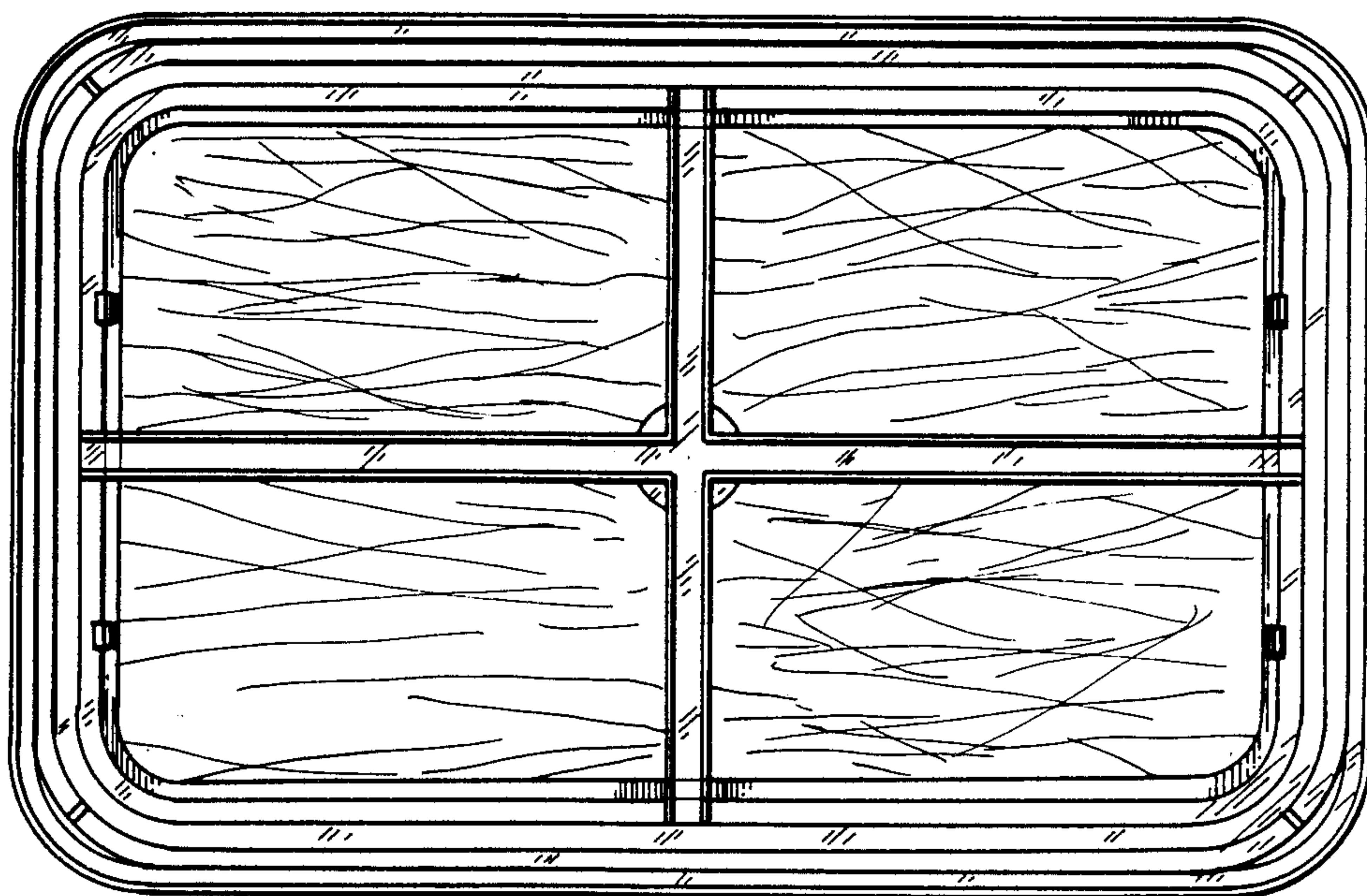


FIG. 2

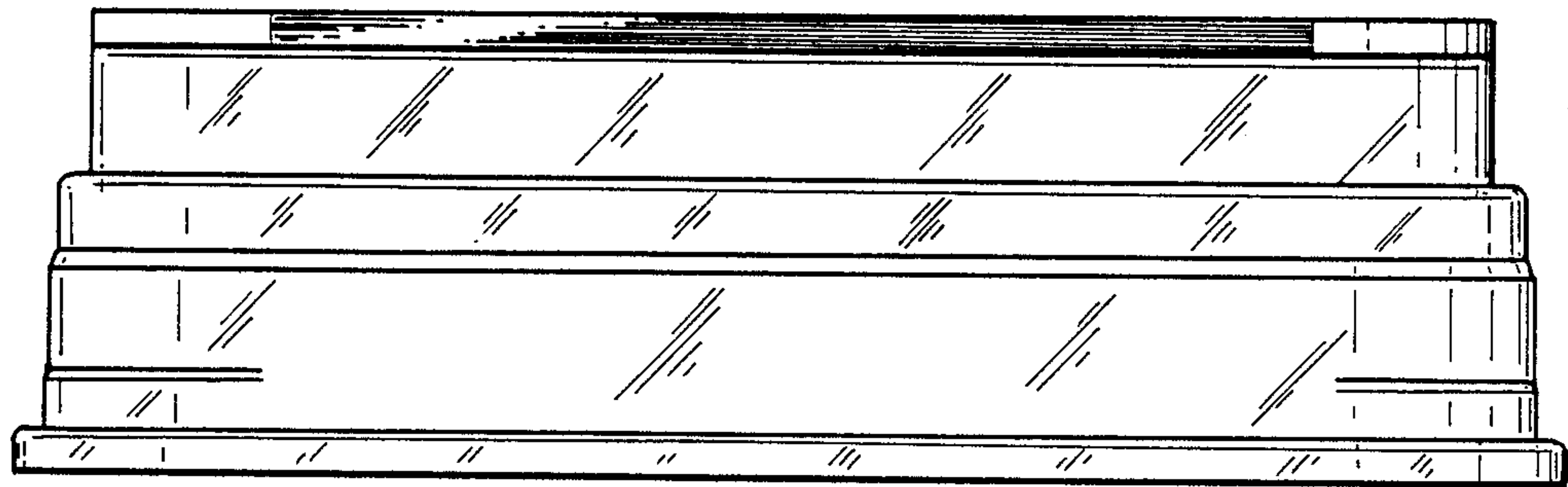


FIG. 3

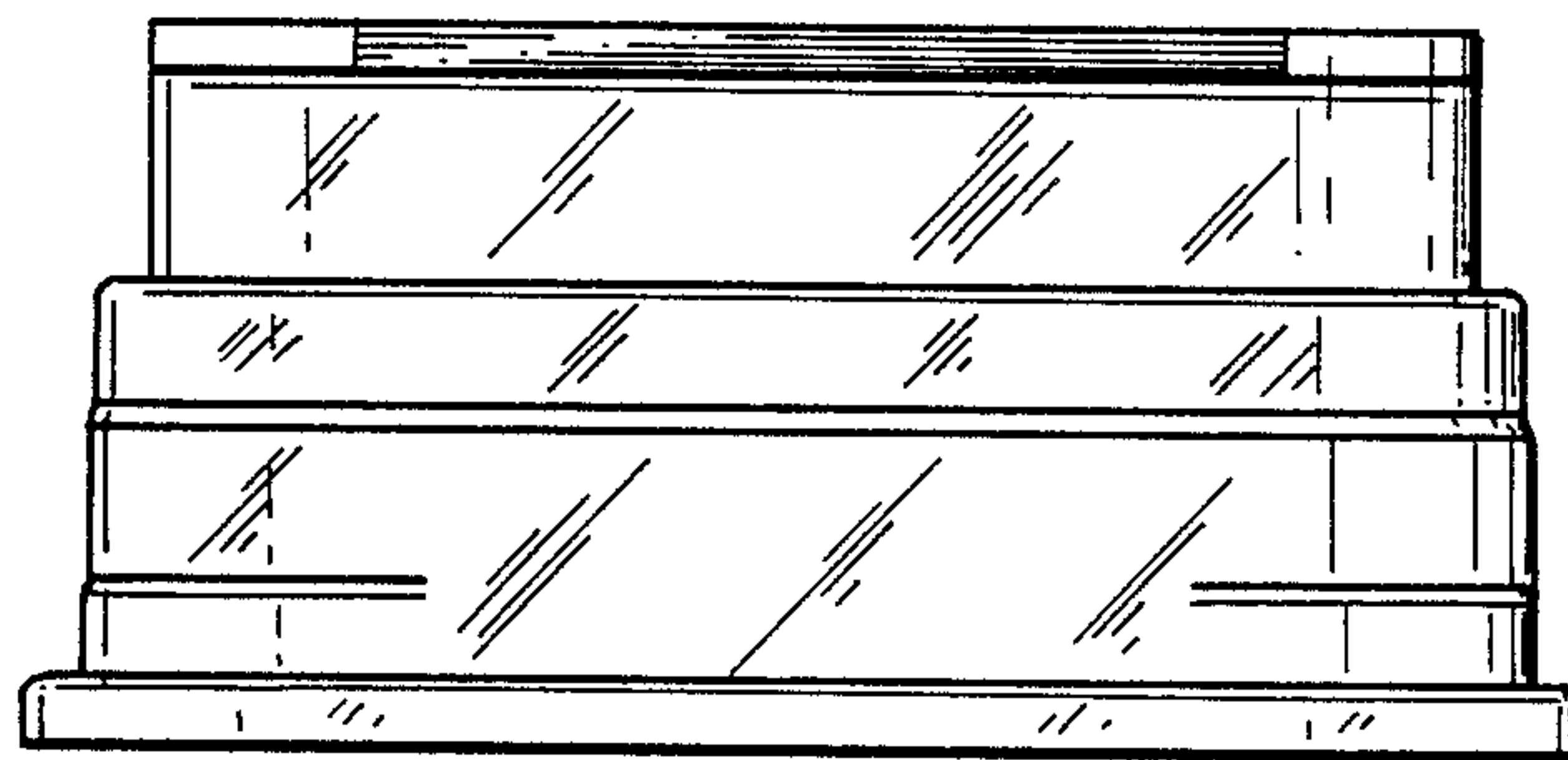


FIG. 4

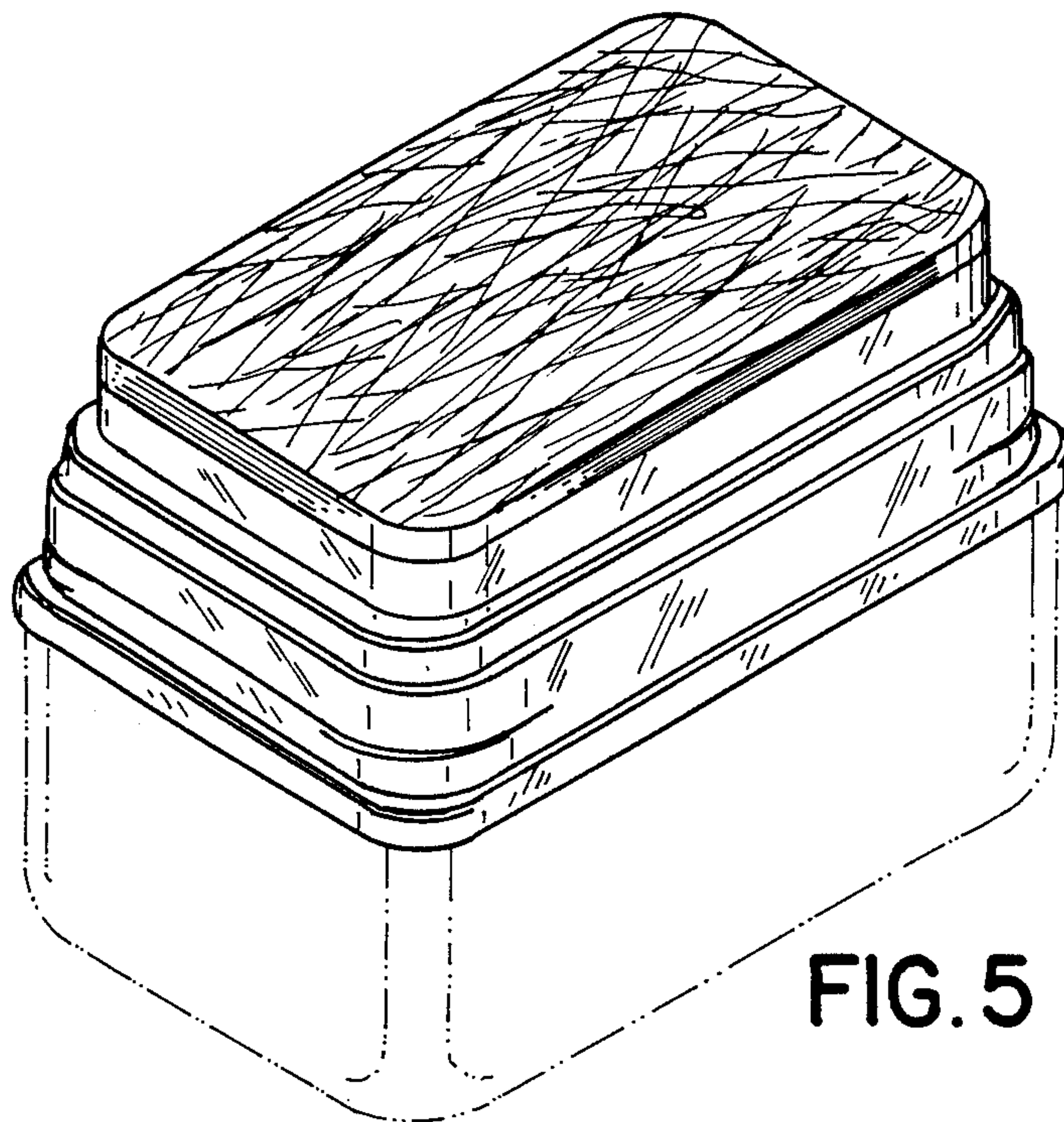


FIG. 5