

[54] SUPPORT RACK FOR AN ASHTRAY OR A HEATING ELEMENT

[75] Inventors: Knut Hagberg; Marianne Hagberg, both of Lund, Sweden

[73] Assignee: Ikea of Sweden AB, Almhult, Sweden

[**] Term: 14 Years

[21] Appl. No.: 933,544

[22] Filed: Nov. 21, 1986

[30] Foreign Application Priority Data

May 23, 1986 [SE] Sweden 86-1246

[52] U.S. Cl. D27/102; D7/366

[58] Field of Search D27/102, 134, 135, 136; D7/355, 366; 131/231, 242

[56] References Cited

U.S. PATENT DOCUMENTS

- D. 38,423 1/1907 Gutermann D7/366
- D. 154,556 7/1949 Mankouski D27/172
- D. 192,550 4/1962 Wright D7/366
- D. 214,184 5/1969 Rackocy D7/366
- D. 221,820 9/1971 Mazure D27/122
- D. 225,169 11/1972 McGowan D7/366

- D. 225,669 12/1972 Toiseux D7/366
- D. 226,726 4/1973 Eckstein D7/366

Primary Examiner—Susan J. Lucas
Assistant Examiner—Joel Sincavage
Attorney, Agent, or Firm—Young & Thompson

[57] CLAIM

The ornamental design for an support rack for an ashtray or a heating element, as shown and described.

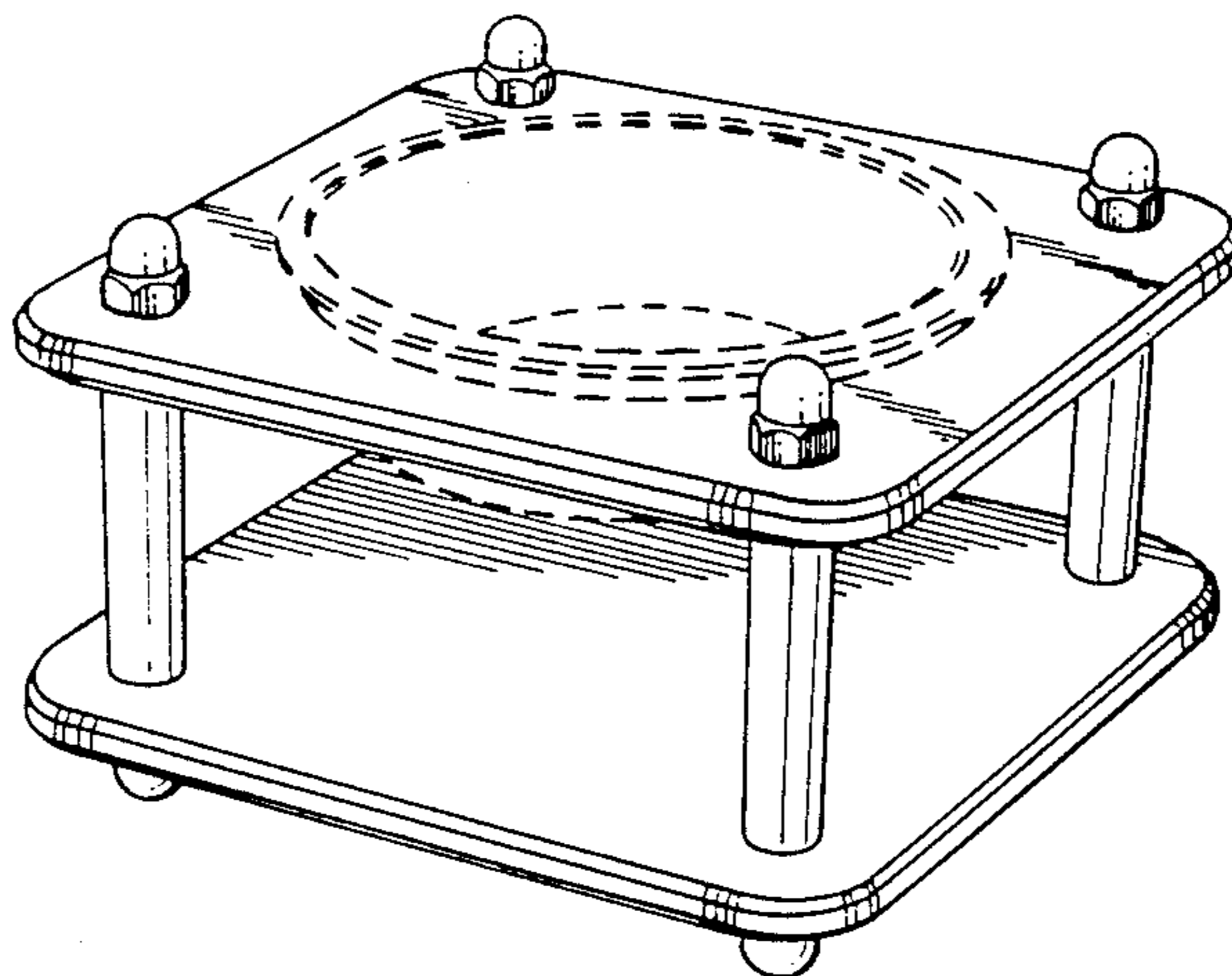
DESCRIPTION

FIG. 1 is a top and left side perspective view of a support rack for an ashtray or a heating element showing our new design embodied for use with an ashtray. The ashtray bowl shown in broken lines is an environmental element included for illustrative purposes only and forms no part of the claimed design;

FIG. 2 is a bottom and right side perspective view thereof, top, front and bottom, rear perspective views being identical to FIGS. 1 and 2 respectively;

FIG. 3 is a top and left side perspective view of a support rack for an ashtray or a heating element showing our new design embodied for use with a heating element.

FIG. 4 is a bottom and right side perspective view thereof, top, front and bottom rear perspective views being identical to FIGS. 3 and 4 respectively.



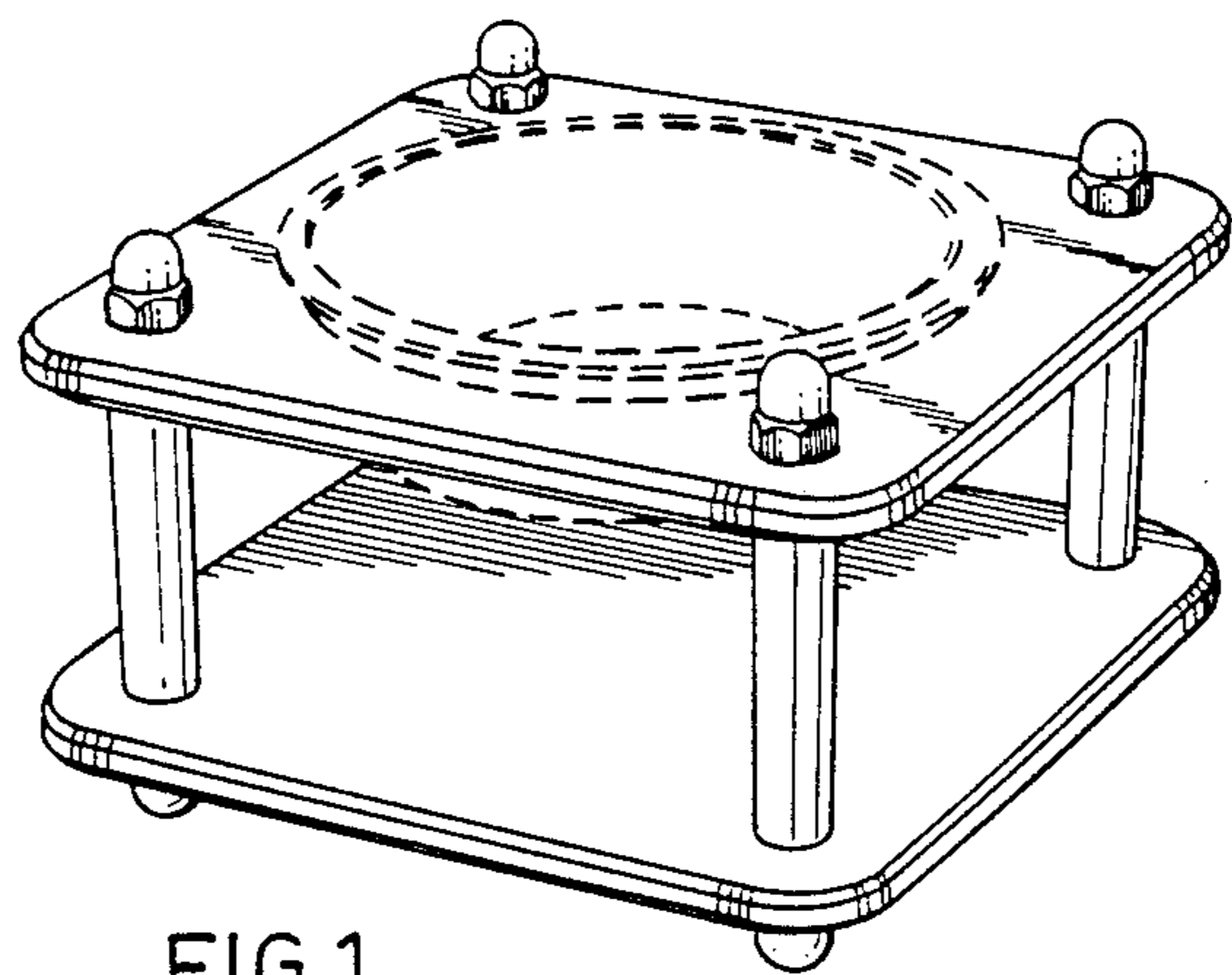


FIG. 1

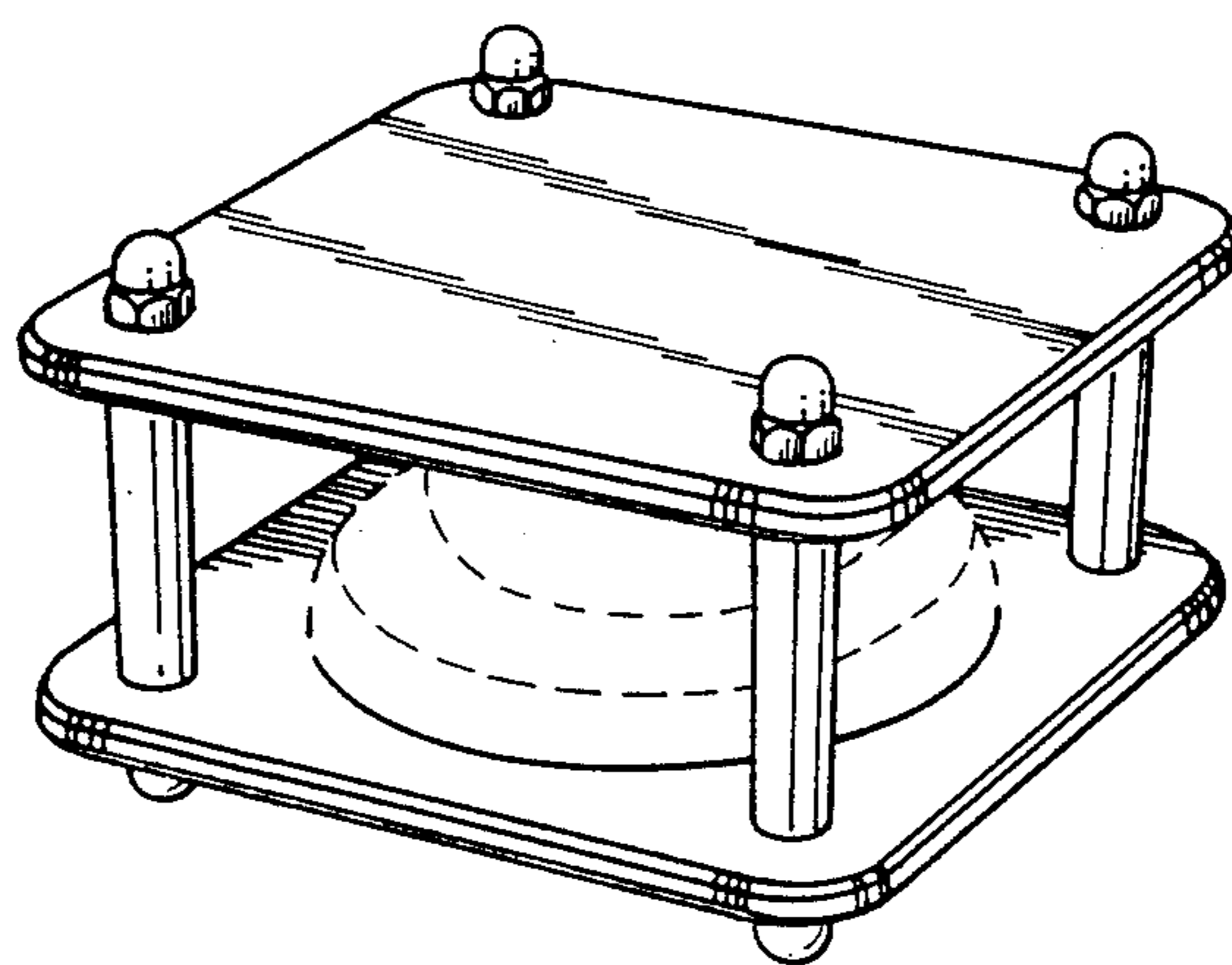


FIG. 2

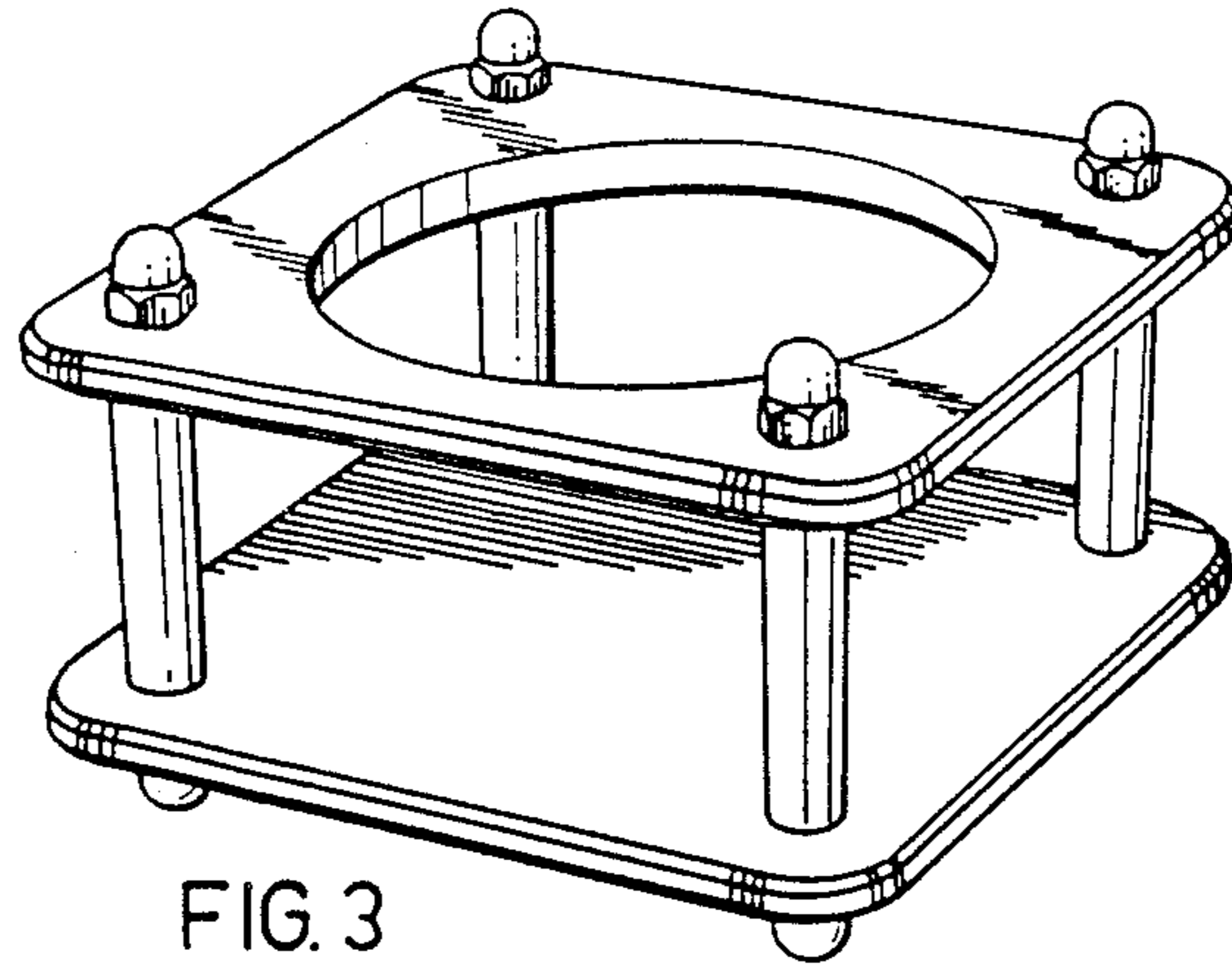


FIG. 3

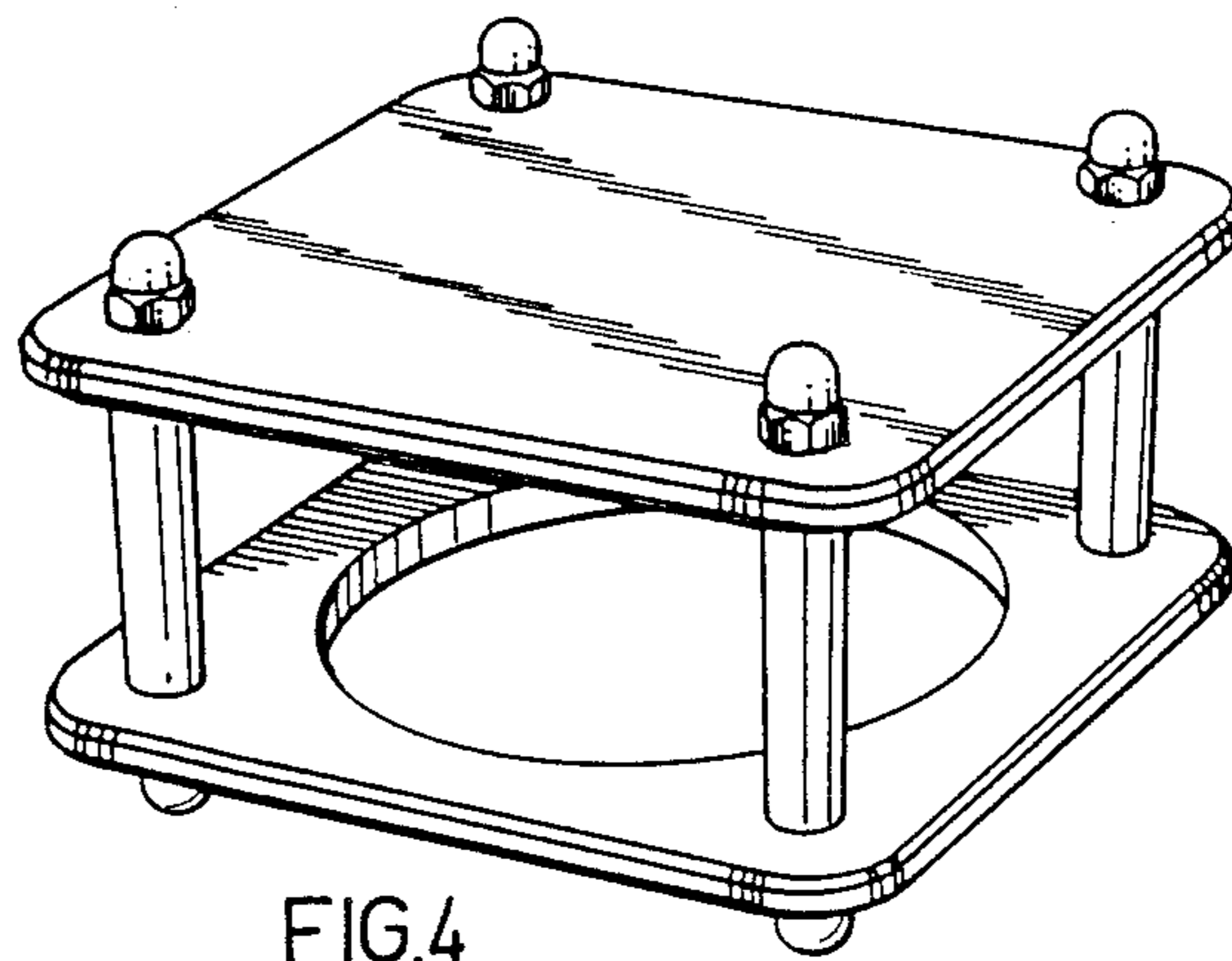


FIG. 4