

[54] **MASONRY MUD STAND**

[76] **Inventor: Dwayne M. Floyd, Rte. 11, Box 115, Gadsden, Ala. 35903**

[**] **Term: 14 Years**

[21] **Appl. No.: 88,898**

[22] **Filed: Aug. 24, 1987**

[52] **U.S. Cl. D25/68**

[58] **Field of Search D25/62, 63, 64, 67; 182/115, 116, 119, 125, 124, 126, 187; 211/175, 203; D8/45, 71, 373 CK, 380; 269/302.1; 294/3.5; 248/155.4, 156, 127, 149, 146, 188.7; 108/150**

[56] **References Cited**

U.S. PATENT DOCUMENTS

534,741 2/1895 Davis 294/3.5
3,638,585 2/1972 Futrell 108/150
4,511,063 4/1985 Krause et al. 294/3.5

FOREIGN PATENT DOCUMENTS

302124 10/1932 Italy 294/3.5
660458 11/1951 United Kingdom 294/3.5

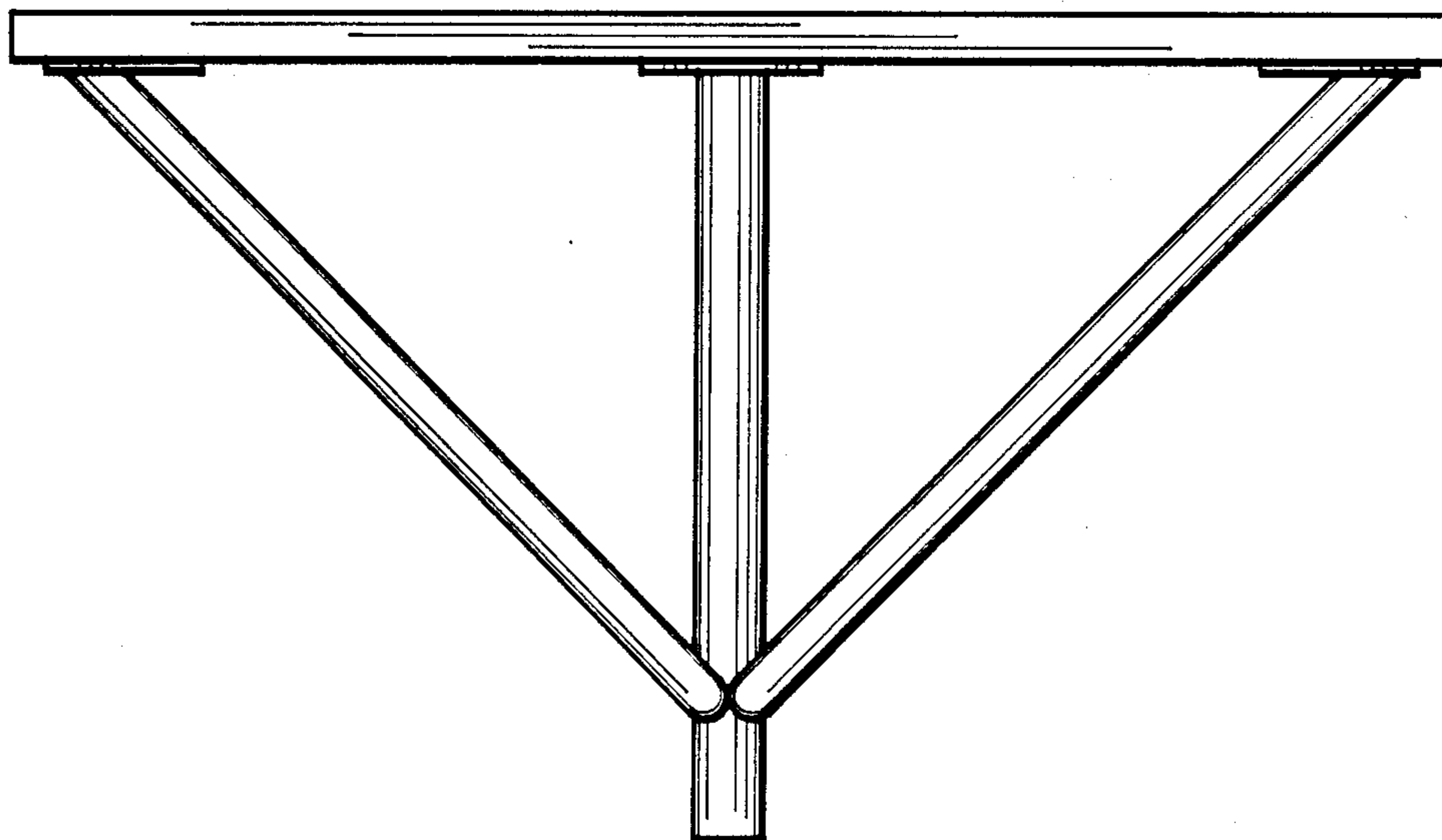
Primary Examiner—A. Hugo Word
Assistant Examiner—Doris Clark
Attorney, Agent, or Firm—Jerry T. Kearns

[57] **CLAIM**

The ornamental design for a masonry mud stand, as shown and described.

DESCRIPTION

FIG. 1 is a front elevational view of a masonry mud stand showing my new design;
FIG. 2 is a rear elevational view thereof;
FIG. 3 is a left side elevational view thereof;
FIG. 4 is a right side elevational view thereof;
FIG. 5 is a top plan view thereof; and,
FIG. 6 is a bottom plan view thereof.



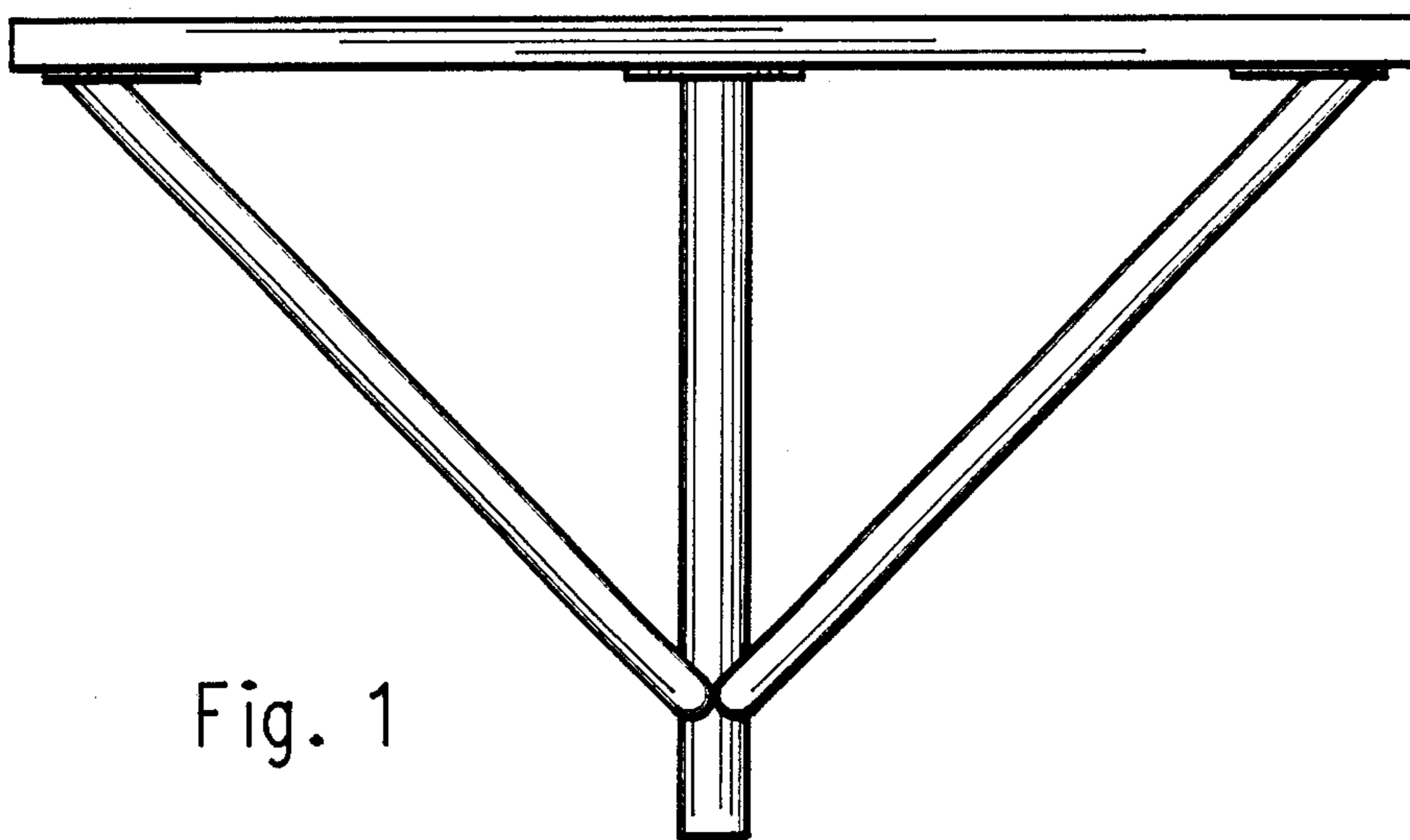


Fig. 1

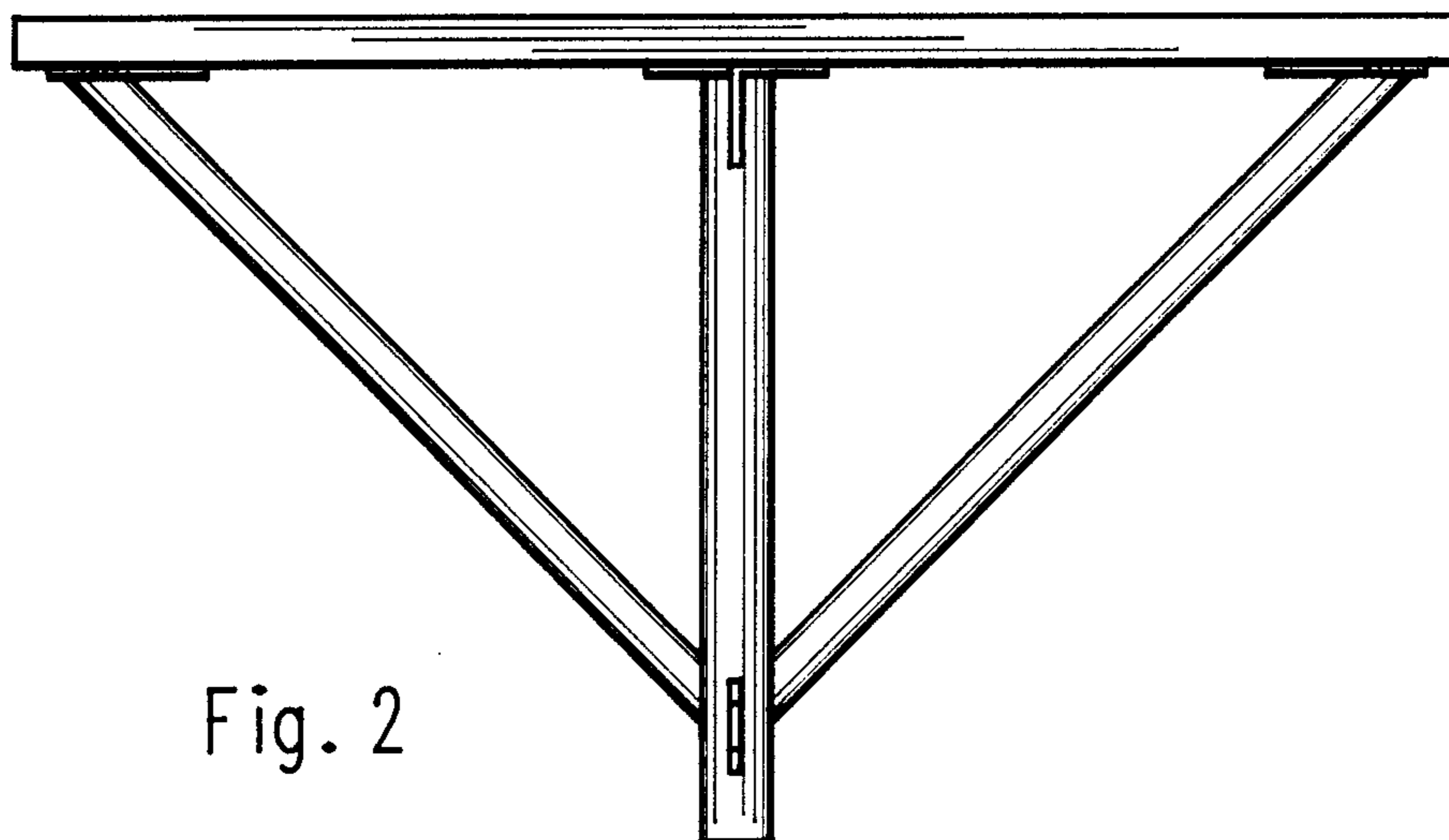


Fig. 2

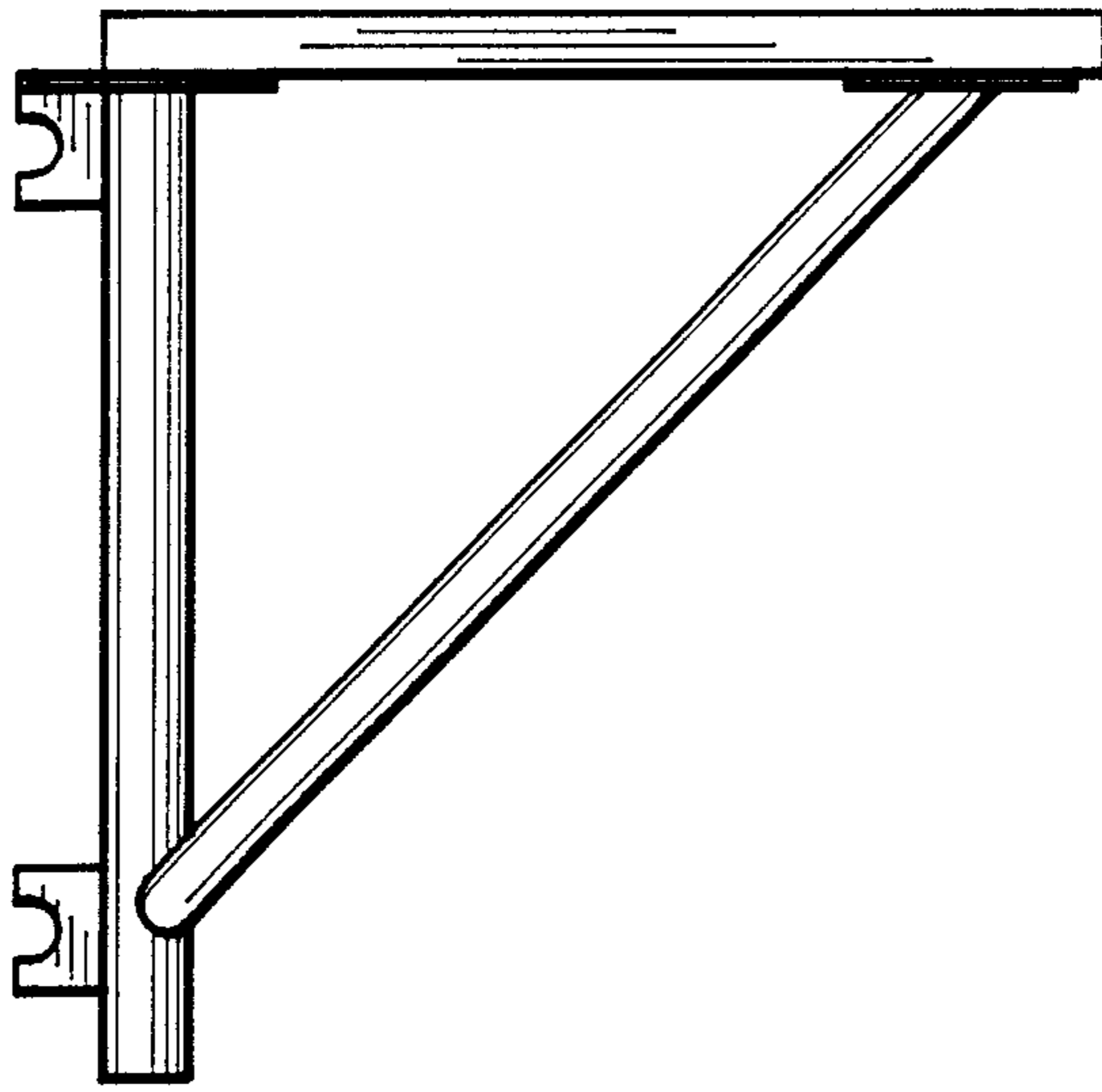


Fig. 3

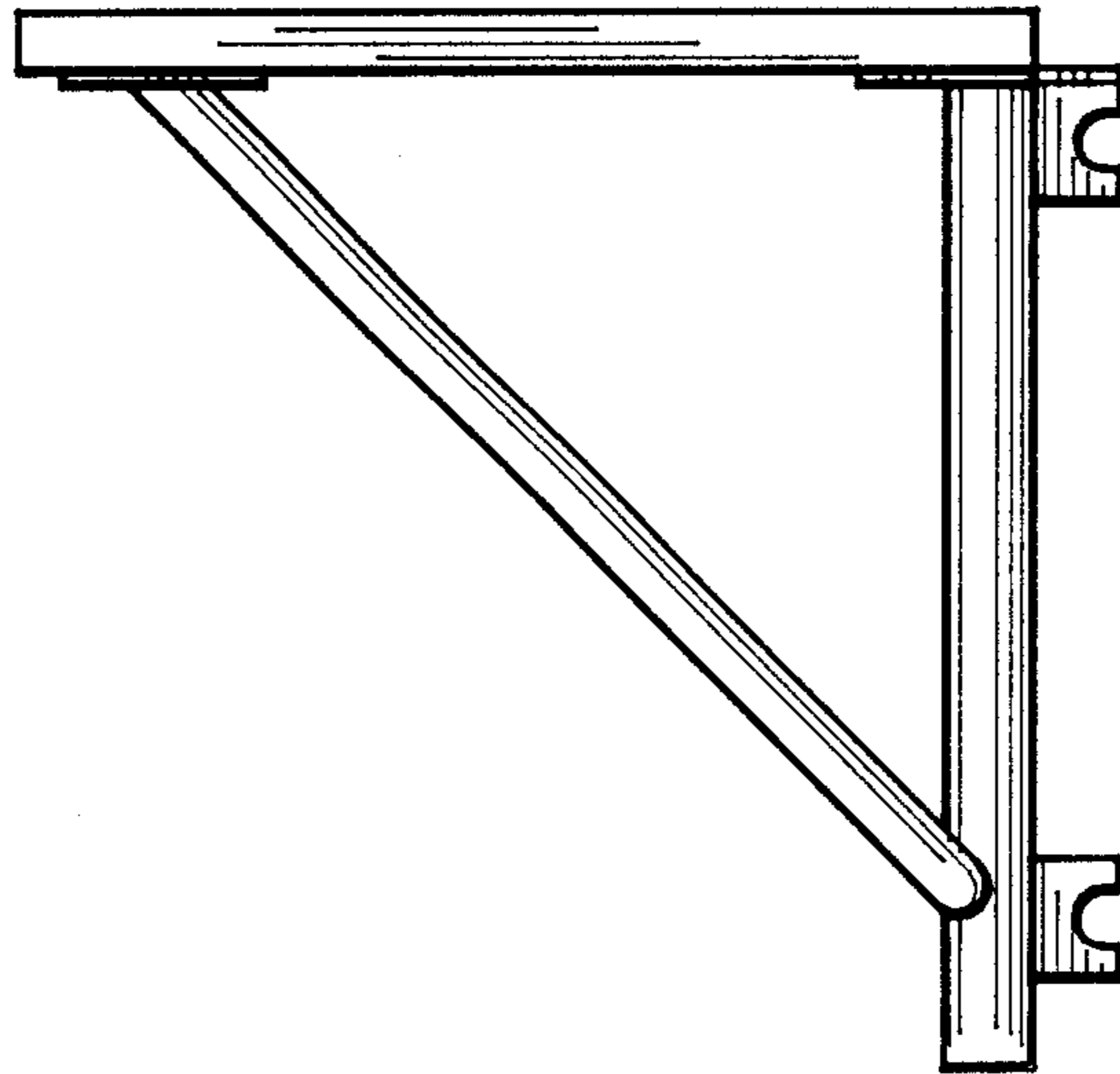


Fig. 4

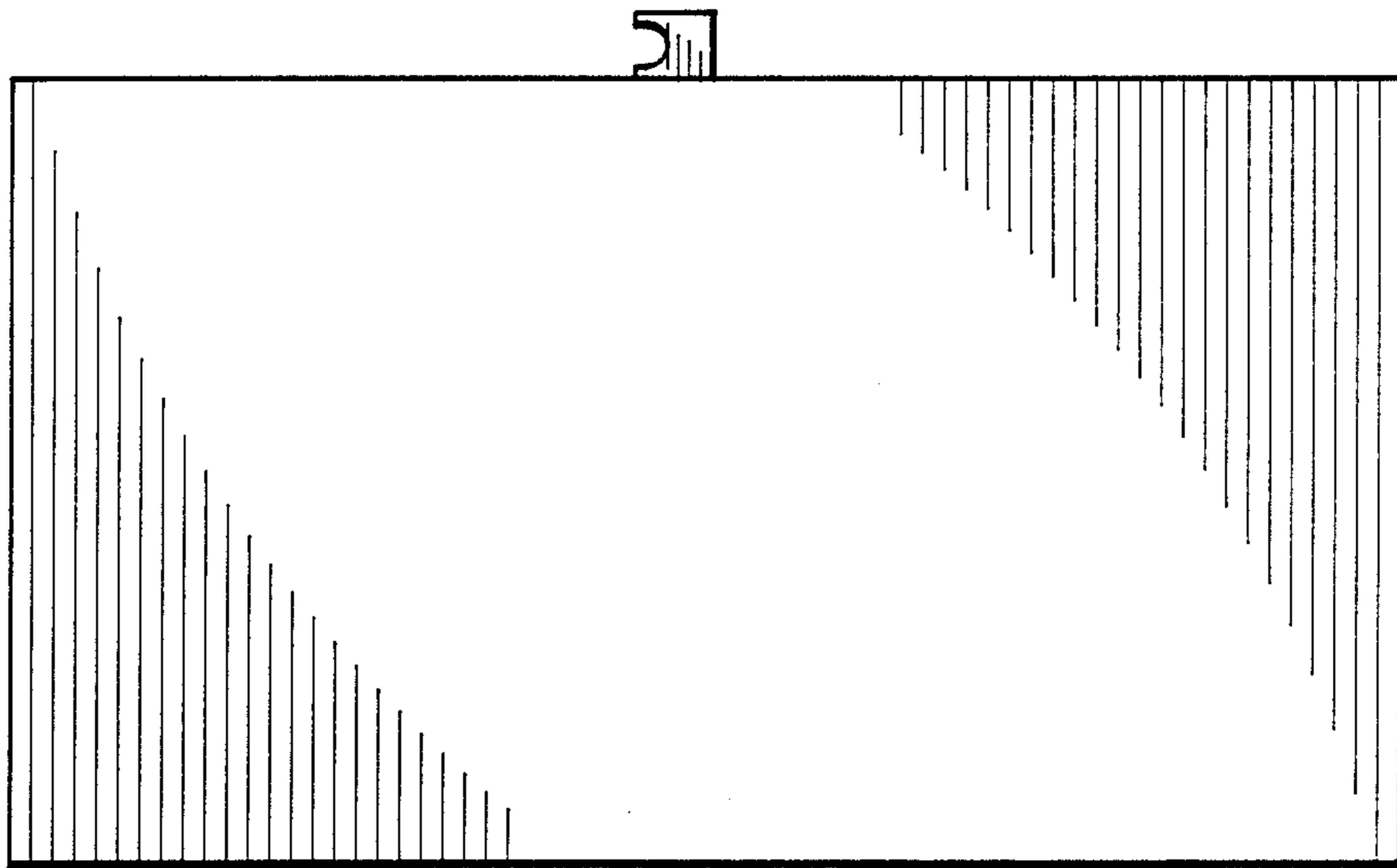


Fig. 5

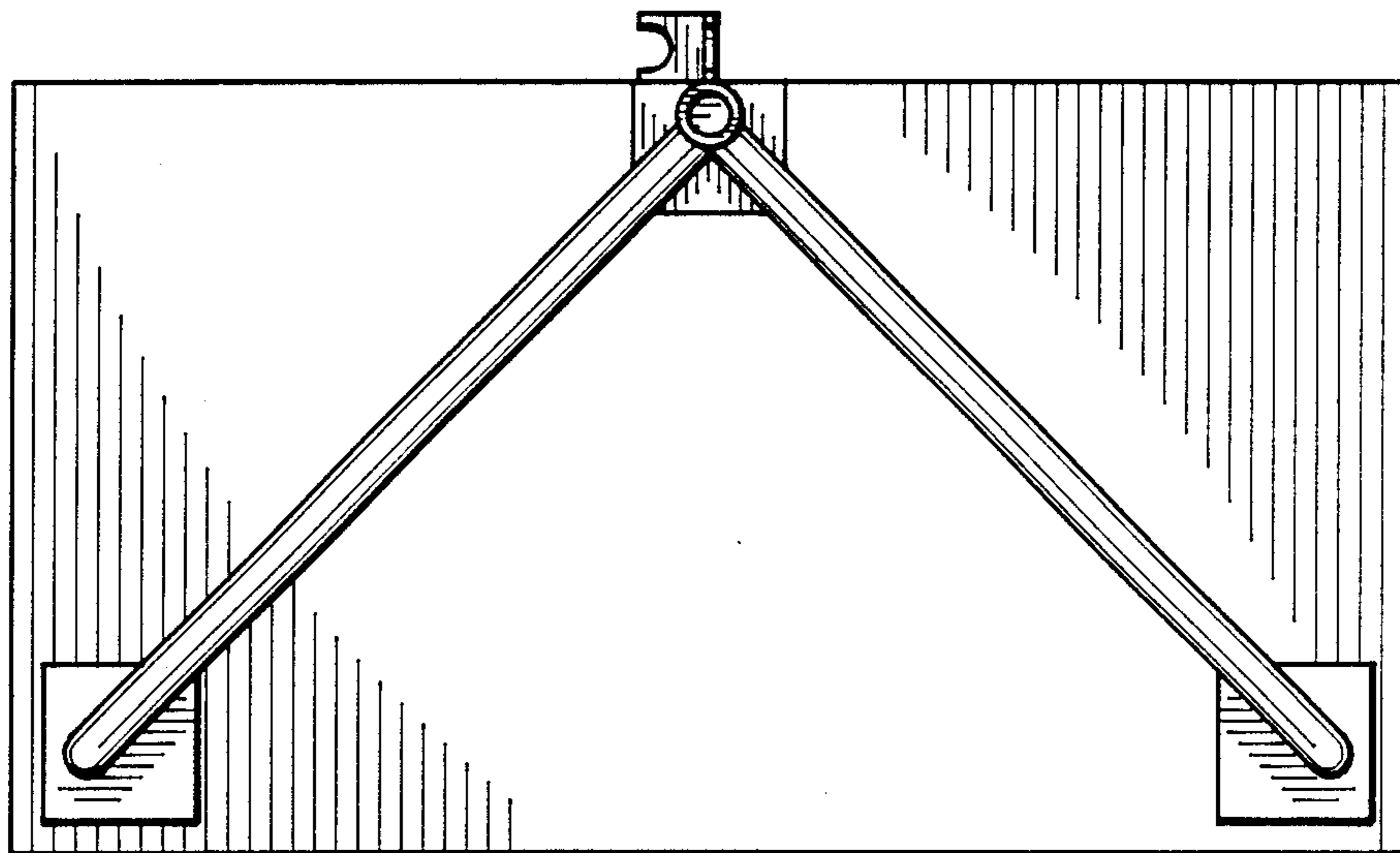


Fig. 6