

[54] **ELBOW COVER FOR INSULATED PIPEWORK**
 [75] **Inventor: Kazuo Karakawa, Koga, Japan**
 [73] **Assignee: Yamato Kogyo Kabushiki Kaisha, Ibaraki, Japan**
 [**] **Term: 14 Years**
 [21] **Appl. No.: 149,565**
 [22] **Filed: Feb. 23, 1988**
 [30] **Foreign Application Priority Data**
 Jan. 20, 1987 [JP] Japan 62-6612
 Feb. 18, 1987 [JP] Japan 62-5909
 [52] **U.S. Cl. D23/386**
 [58] **Field of Search 72/364; D23/386; 138/99, 110, 166, 198; 285/45, 47**

3,960,181 6/1976 Baur et al. 138/178
 4,139,026 2/1979 Zack 138/99
 4,426,108 1/1984 Kesselman 285/45
 4,669,509 6/1987 Botsolas 138/99
 4,838,318 6/1989 Karakawa 138/166

Primary Examiner—James R. Largen
Assistant Examiner—Demetrius Reynolds
Attorney, Agent, or Firm—Oblon, Spivak, McClelland, Maier & Neustadt

[56] **References Cited**
U.S. PATENT DOCUMENTS
 D. 264,120 4/1982 Karakawa D23/386
 1,261,221 4/1918 Dutcher 138/99
 3,153,546 10/1964 Dunn 285/47
 3,495,629 2/1970 Botsolas et al. 138/178
 3,572,395 3/1971 Burns 138/166

[57] **CLAIM**
 The ornamental design for an elbow cover for insulated pipework, as shown and described.

DESCRIPTION
 FIG. 1 is a front elevational view of an elbow cover for insulated pipework showing my new design;
 FIG. 2 is a rear elevational view thereof;
 FIG. 3 is a top plan view thereof;
 FIG. 4 is a right side elevational view thereof;
 FIG. 5 is a left side elevational view thereof;
 FIG. 6 is a cross sectional view taken on line 6—6 of FIG. 4;
 FIG. 7 is a cross sectional view taken on line 7—7 of FIG. 4; and
 FIG. 8 is a perspective view thereof showing the cover in an open position.

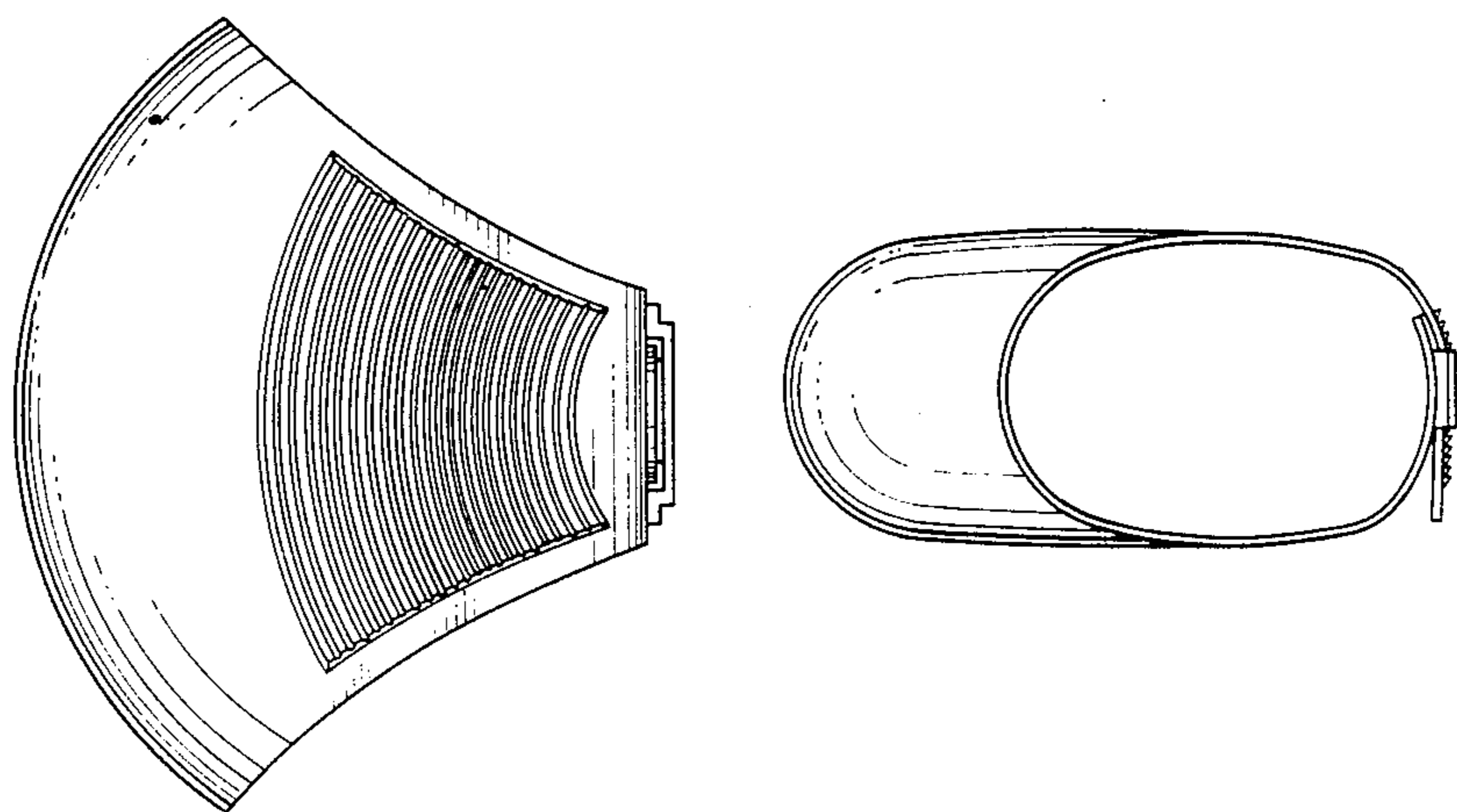


FIG. 1

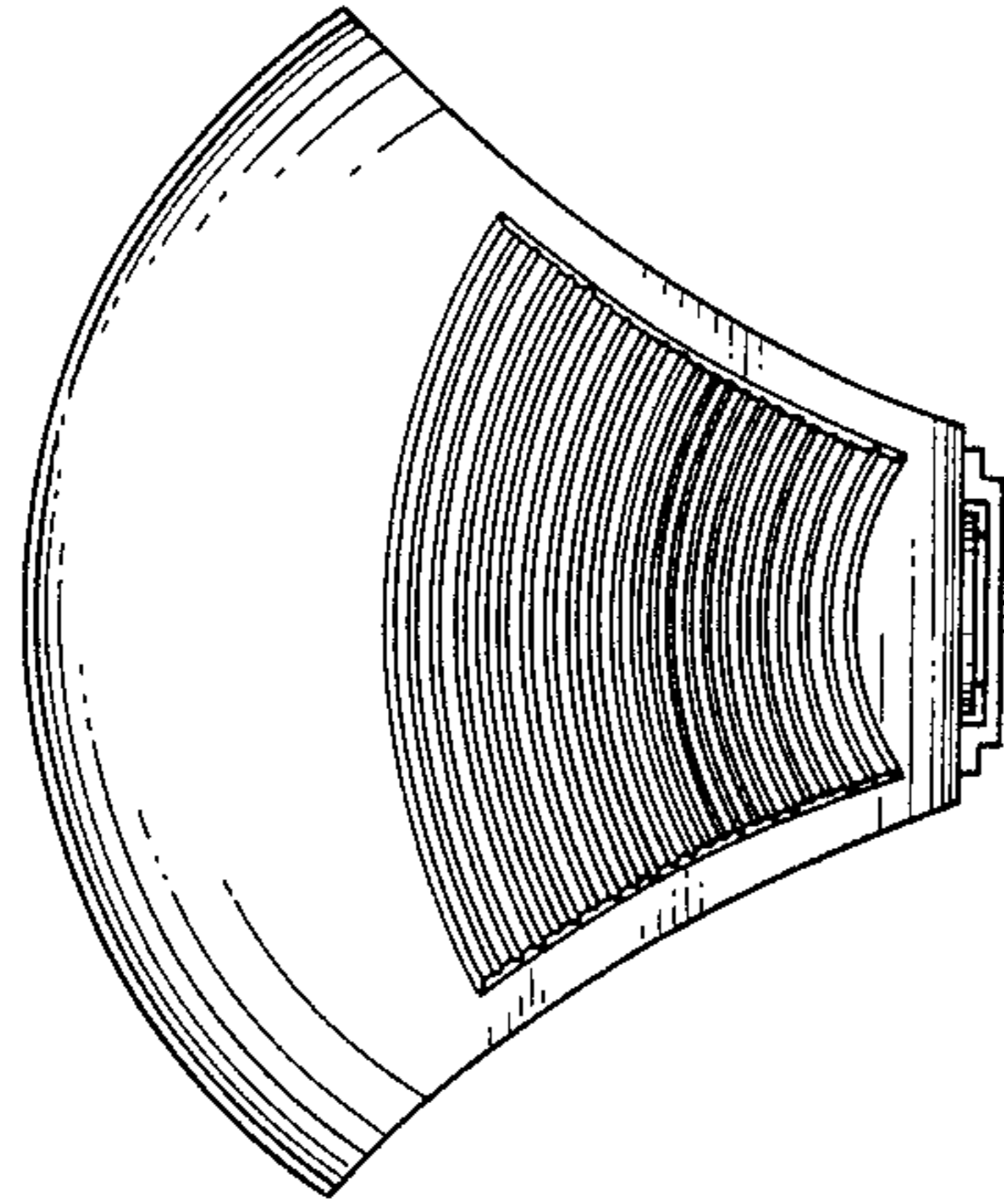


FIG. 3

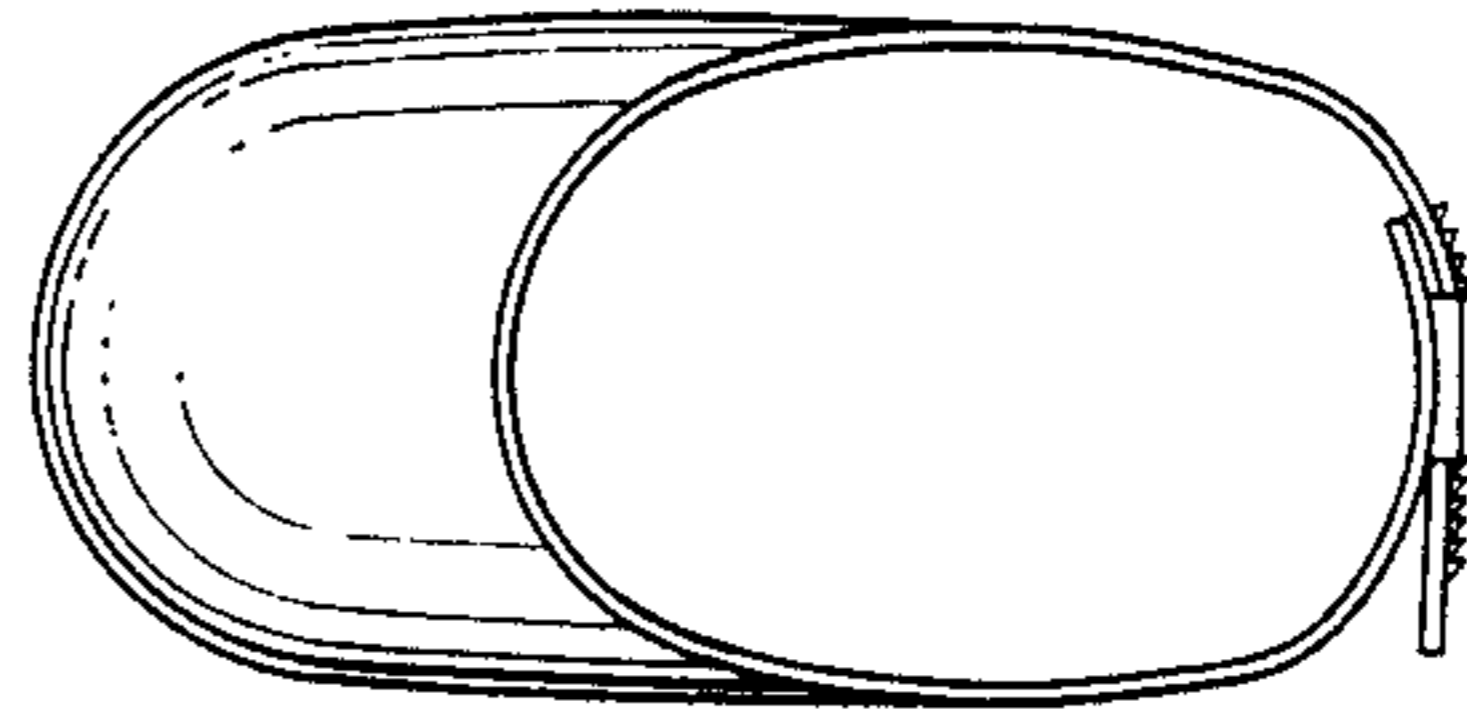


FIG. 2

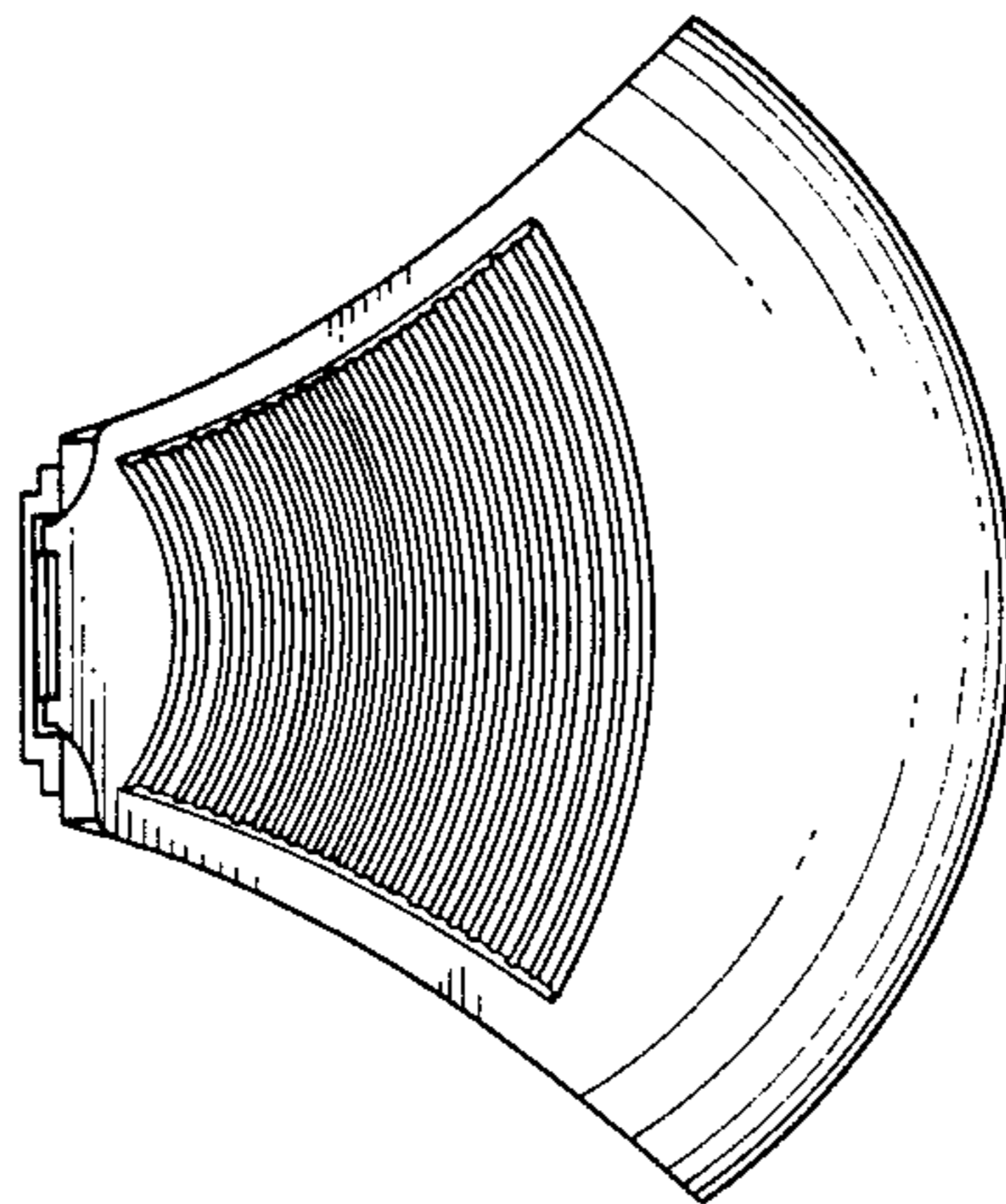


FIG. 5

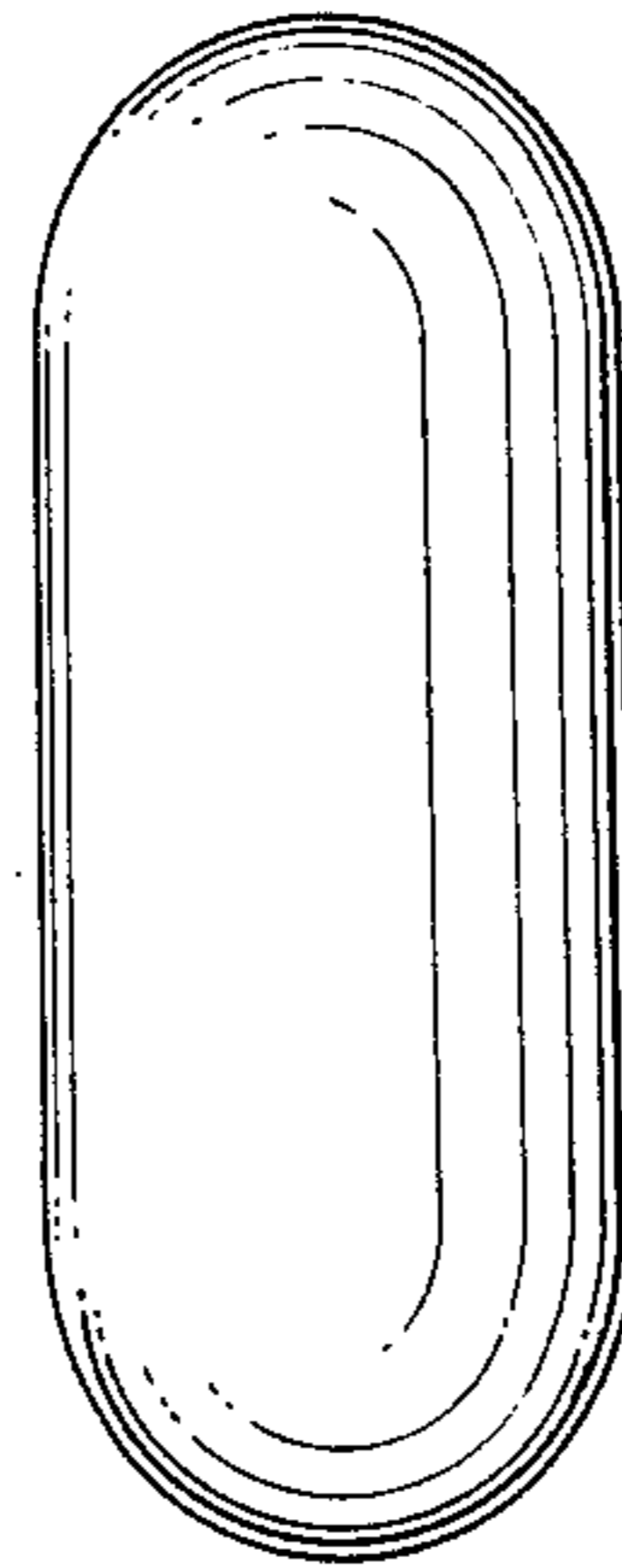


FIG. 4

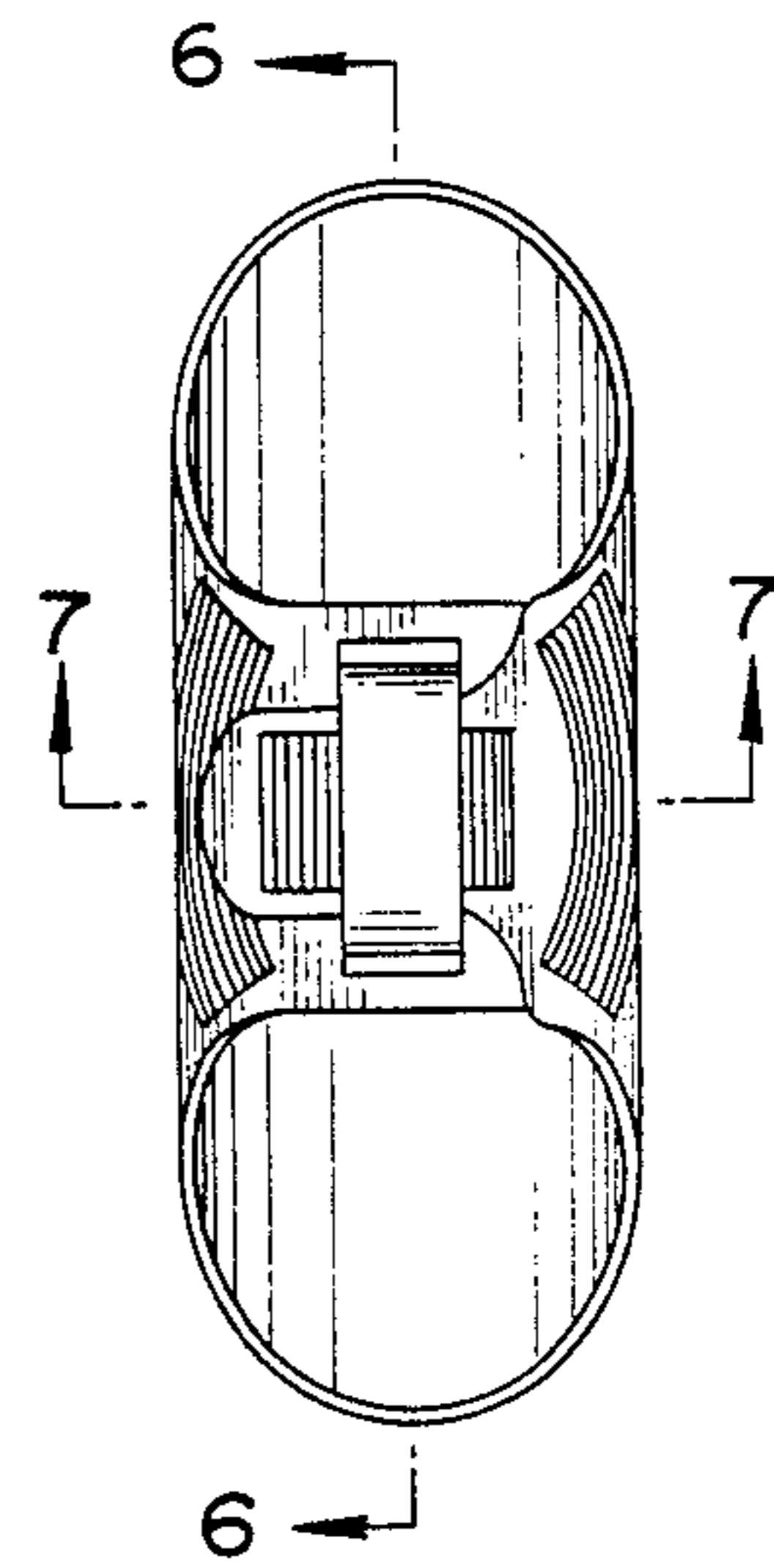


FIG. 6

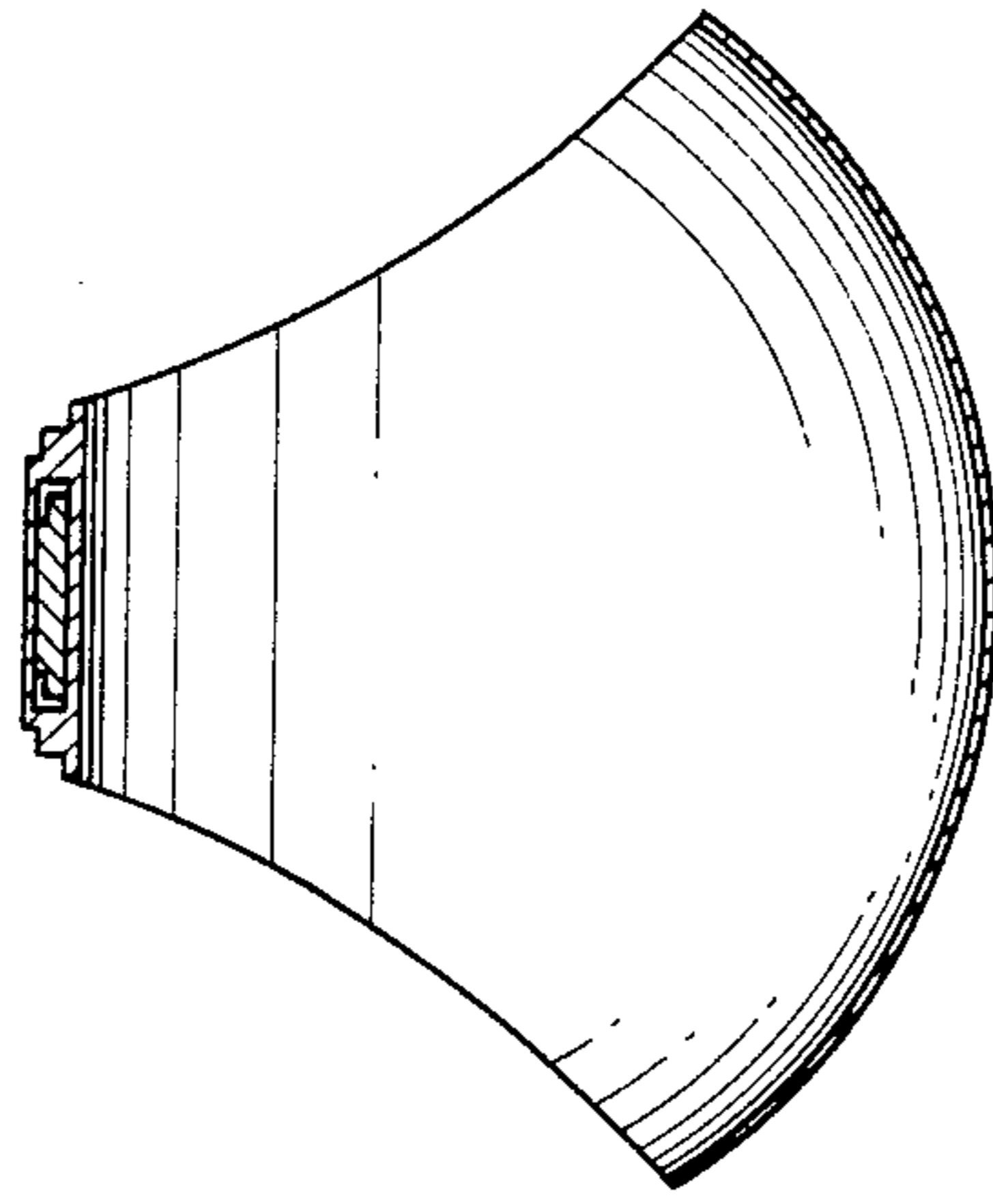


FIG. 7

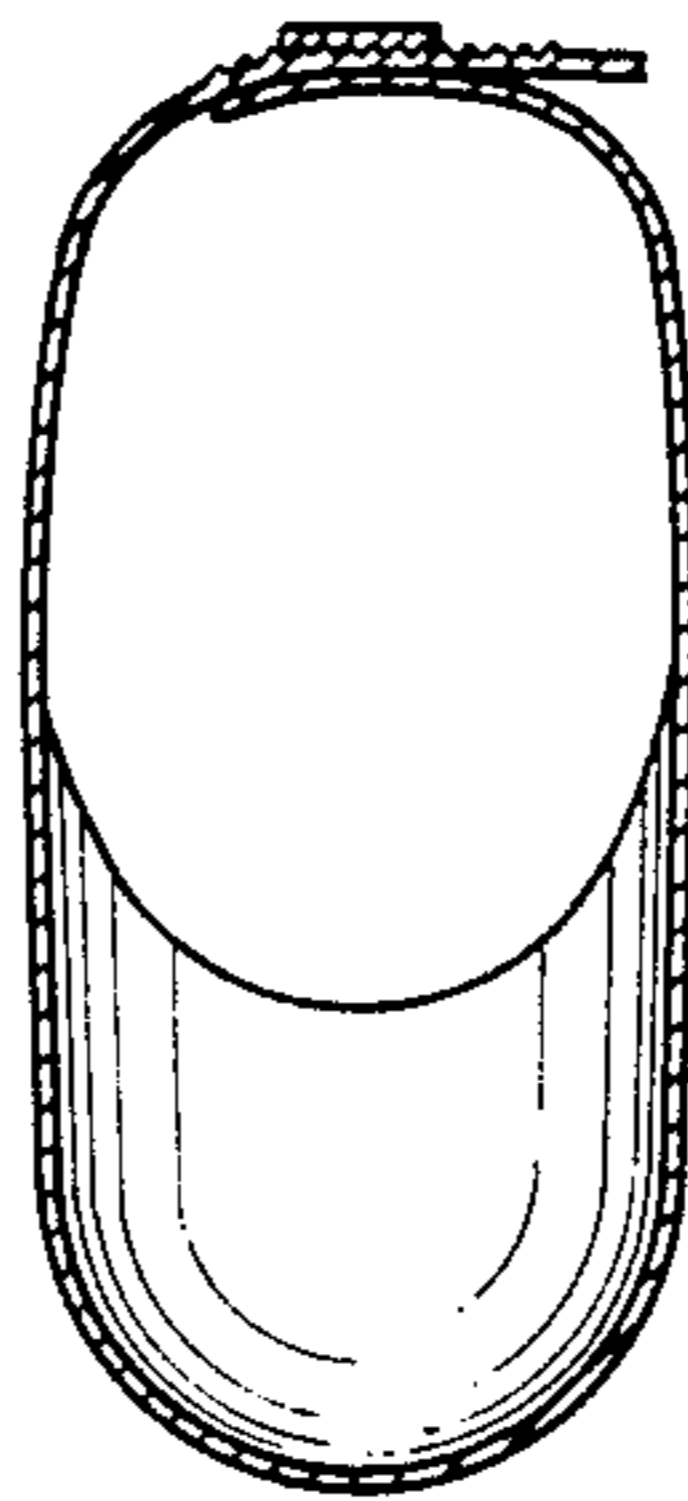
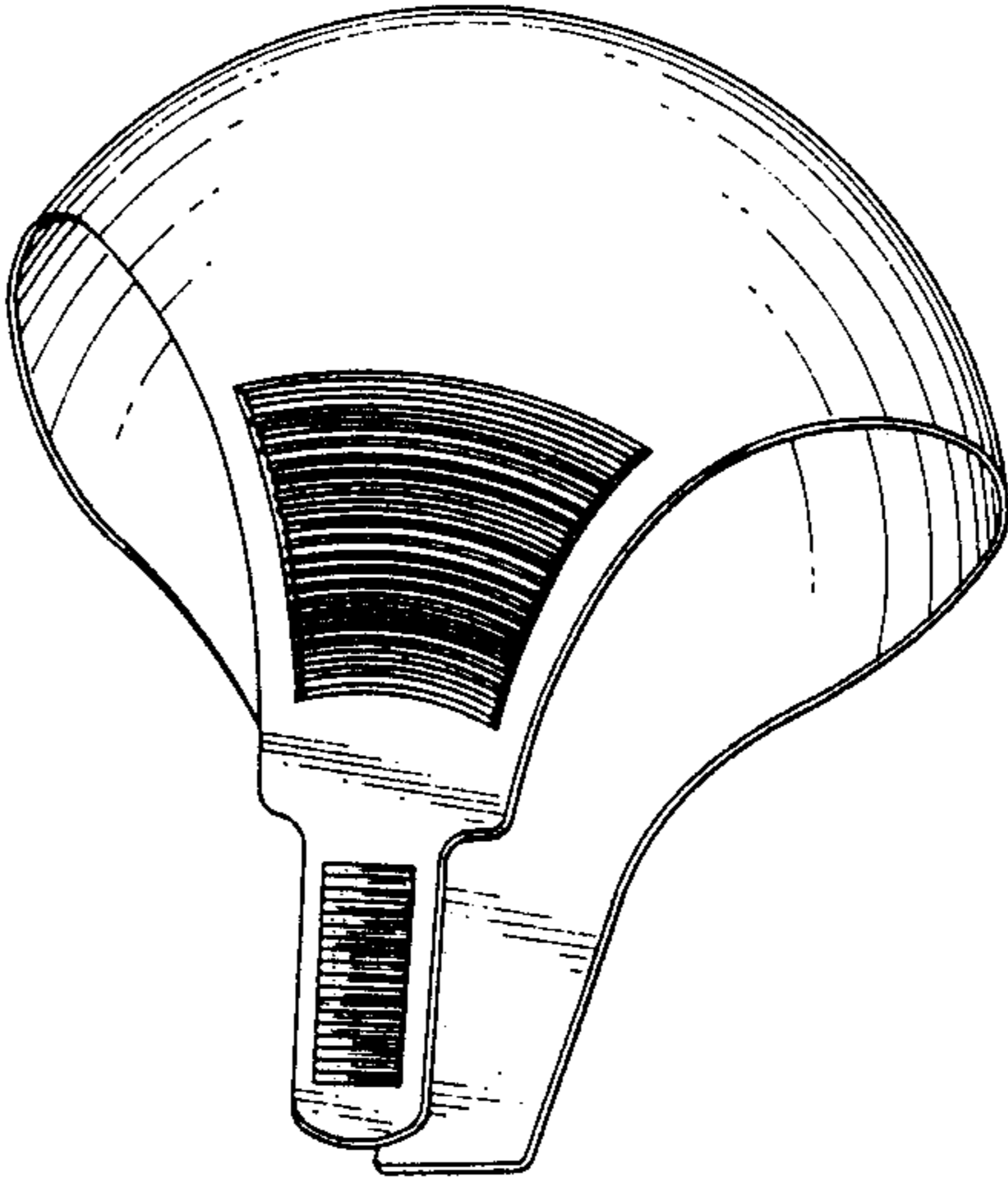


FIG. 8



UNITED STATES PATENT AND TRADEMARK OFFICE
CERTIFICATE OF CORRECTION

PATENT NO. : DES 312,499
DATED : NOVEMBER 27, 1990
INVENTOR(S) : KAZUO KARAKAWA

It is certified that error appears in the above-identified patent and that said Letters Patent is hereby corrected as shown below:

On the title page item [21] :

In the Appl. No., please delete "149,565" and insert
--159,565--.

**Signed and Sealed this
Fourteenth Day of July, 1992**

Attest:

Attesting Officer

DOUGLAS B. COMER

Acting Commissioner of Patents and Trademarks