

[54] **HOSE CLAMP**

- [75] **Inventor:** Karl Ebert, Giengen/Brenz, Fed. Rep. of Germany
- [73] **Assignee:** Max Widenmann Armaturenfabrik, Giengen/Brenz, Fed. Rep. of Germany
- [**] **Term:** 14 Years
- [21] **Appl. No.:** 907,285
- [22] **Filed:** Sep. 15, 1986
- [52] **U.S. Cl.** D23/265
- [58] **Field of Search** D23/259-269; 285/74, 174, 253, 243, 252

[56] **References Cited**
U.S. PATENT DOCUMENTS

58,850	10/1866	Loring	285/174
512,457	1/1894	Stone	285/174
909,131	1/1909	Antic	285/174
936,566	10/1909	Rosendahl	285/331
1,504,363	8/1924	Madigan	285/331
2,319,024	5/1943	Wehringer	285/256
4,139,224	2/1979	Leach	285/253
4,486,036	12/1984	Storke et al.	285/253
4,564,222	1/1986	Loker et al.	285/243
4,738,475	4/1988	Ebert	285/174

FOREIGN PATENT DOCUMENTS

2151323 11/1984 United Kingdom 285/174

Primary Examiner—Louis S. Zarfes
Attorney, Agent, or Firm—Sixbey, Friedman, Leedom & Ferguson

[57] **CLAIM**

The ornamental design for a hose clamp, as shown and described.

DESCRIPTION

FIG. 1 is a top plan view of a hose clamp showing the first embodiment of my new design;
 FIG. 2 is a left side elevational view thereof;
 FIG. 3 is a right side elevational view thereof;
 FIG. 4 is a bottom plan view thereof;
 FIG. 5 is an end elevational view thereof, showing the hose end;
 FIG. 6 is an end elevational view thereof, showing the clamp end;
 FIG. 7 is a perspective view thereof;
 FIG. 8 is a top plan view of the second embodiment thereof;
 FIG. 9 is a left side elevational view thereof;
 FIG. 10 is a right side elevational view thereof;
 FIG. 11 is a top plan view thereof;
 FIG. 12 is an end elevational view thereof, showing the hose end;
 FIG. 13 is an end elevational view thereof, showing the clamp end; and
 FIG. 14 is a perspective view thereof.

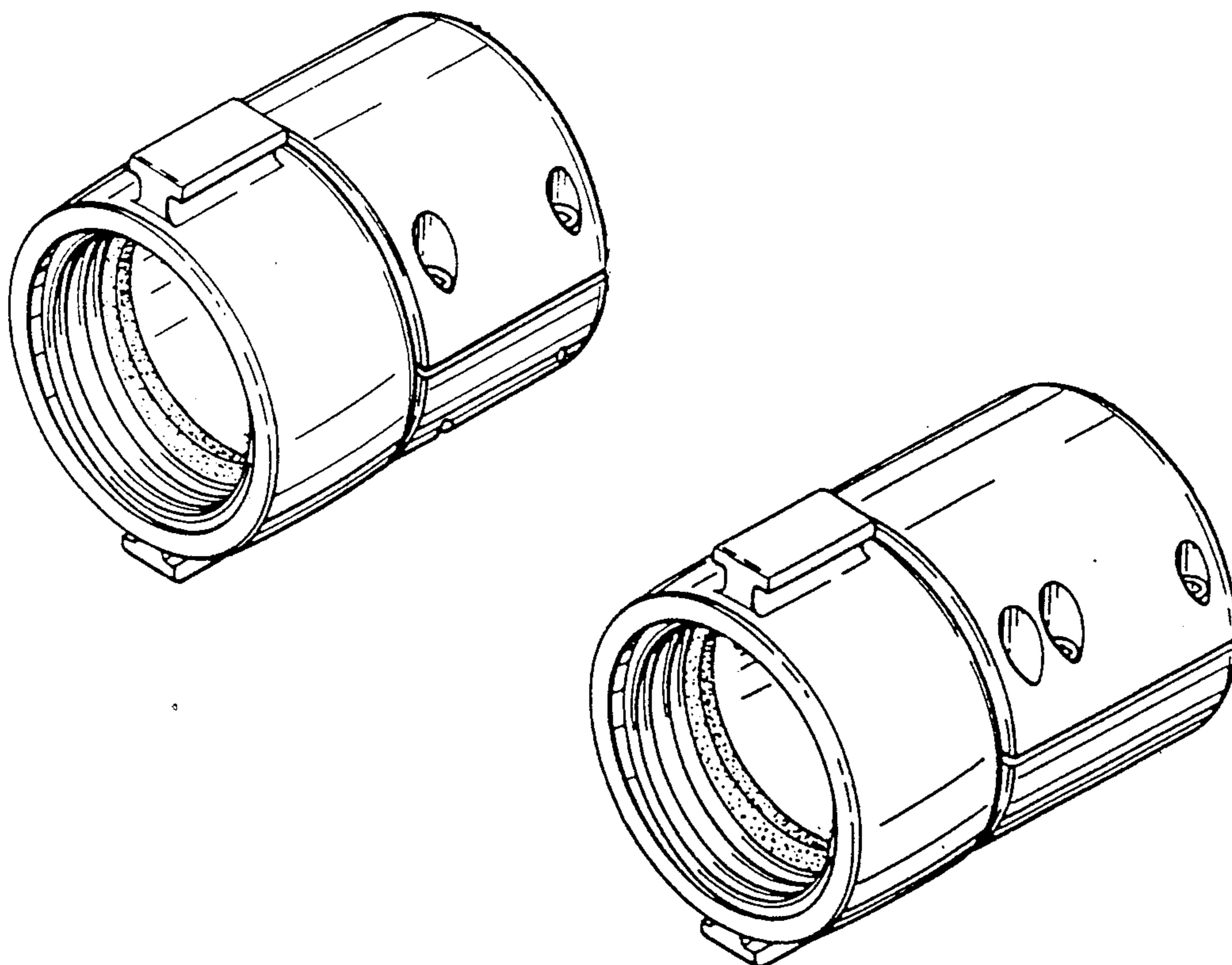


Fig.3

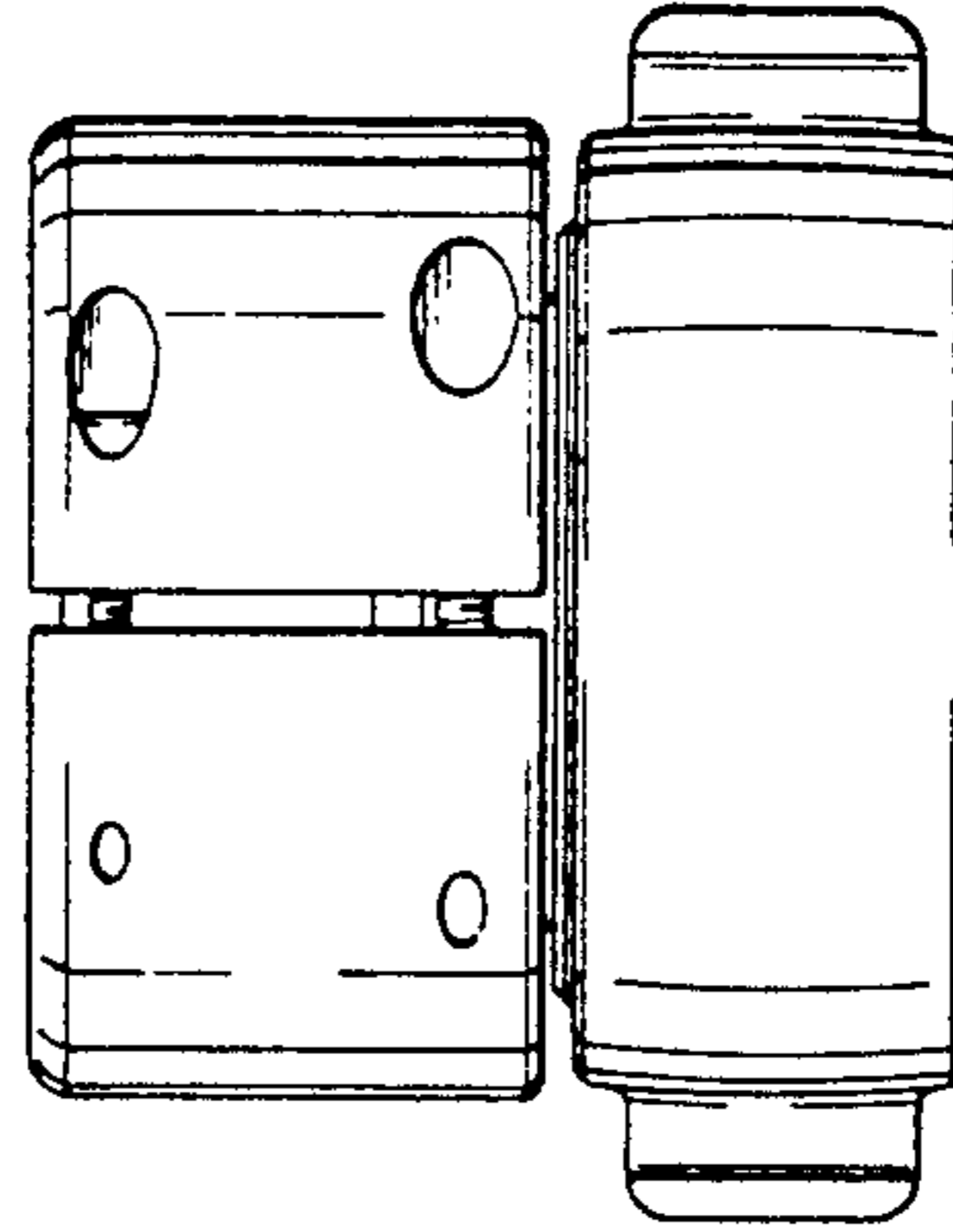


Fig.1

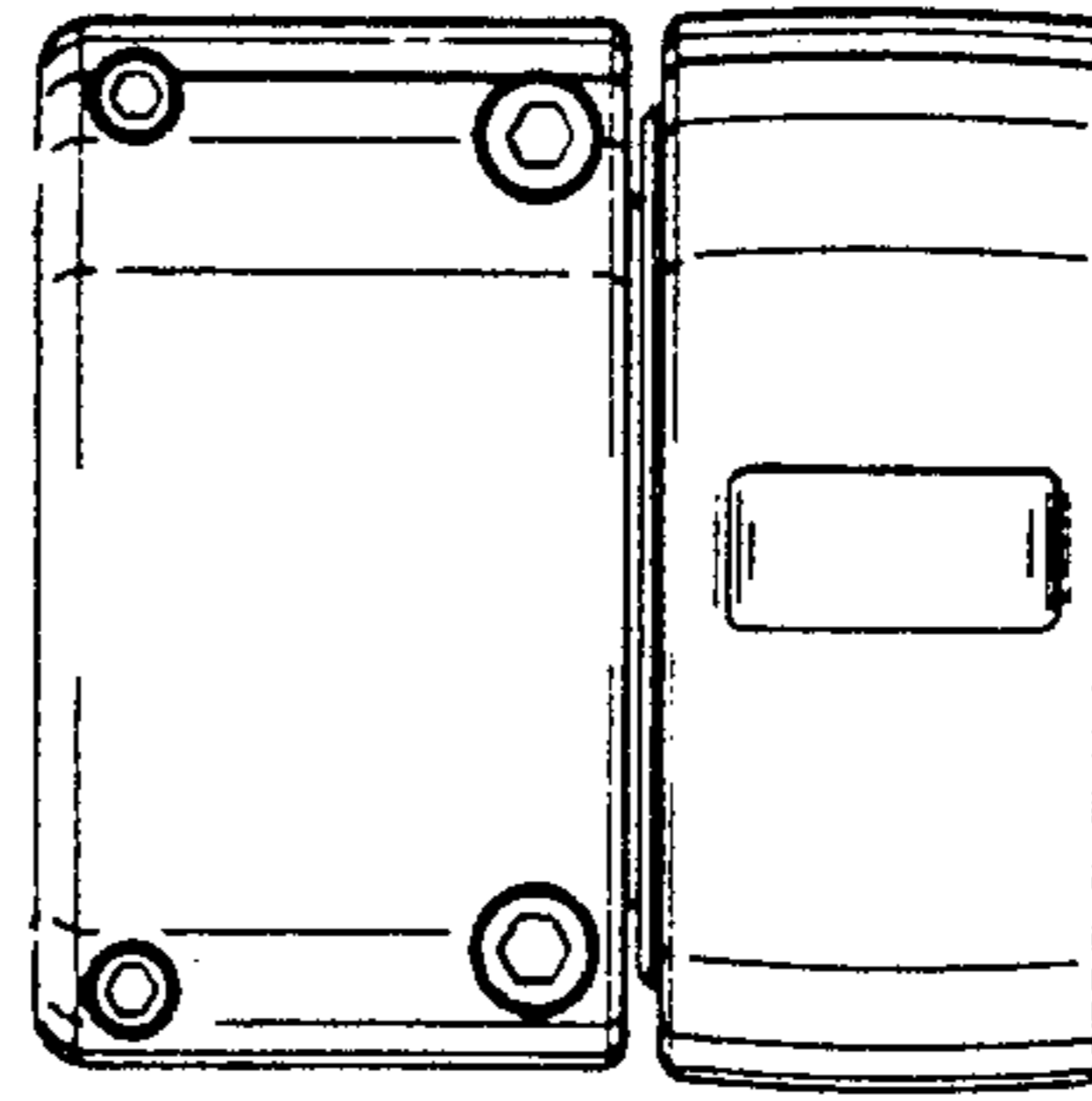


Fig.2

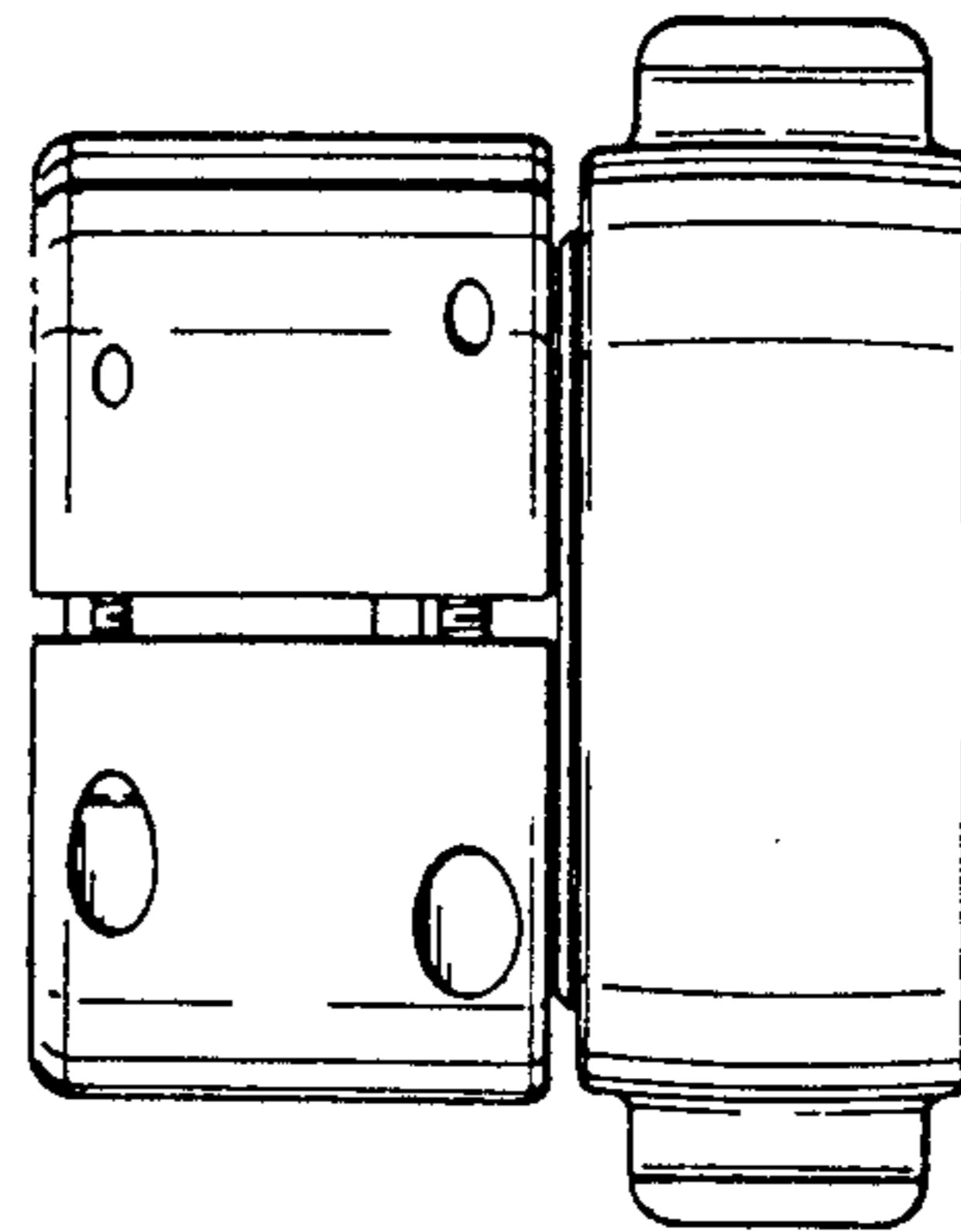


Fig. 5

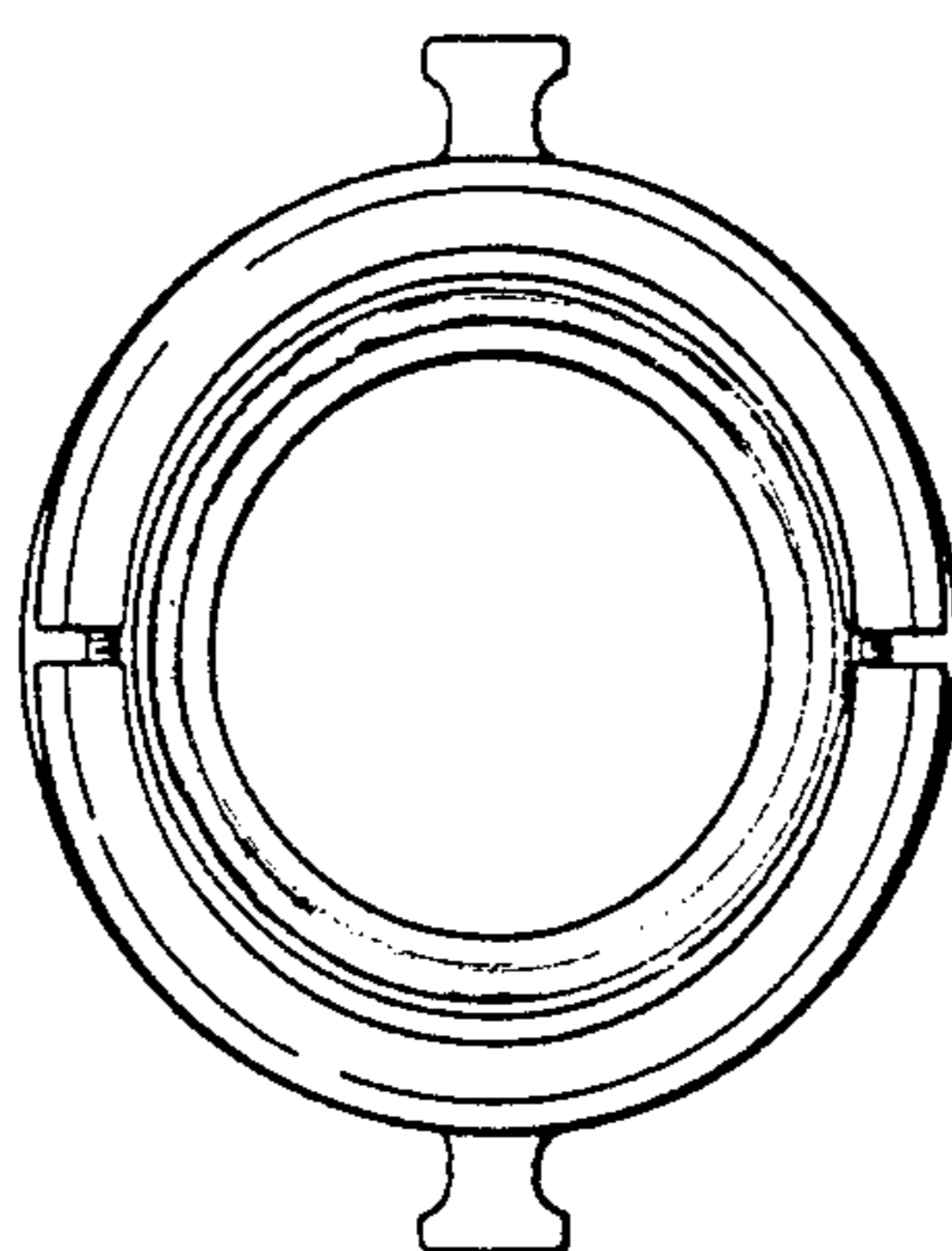


Fig. 4

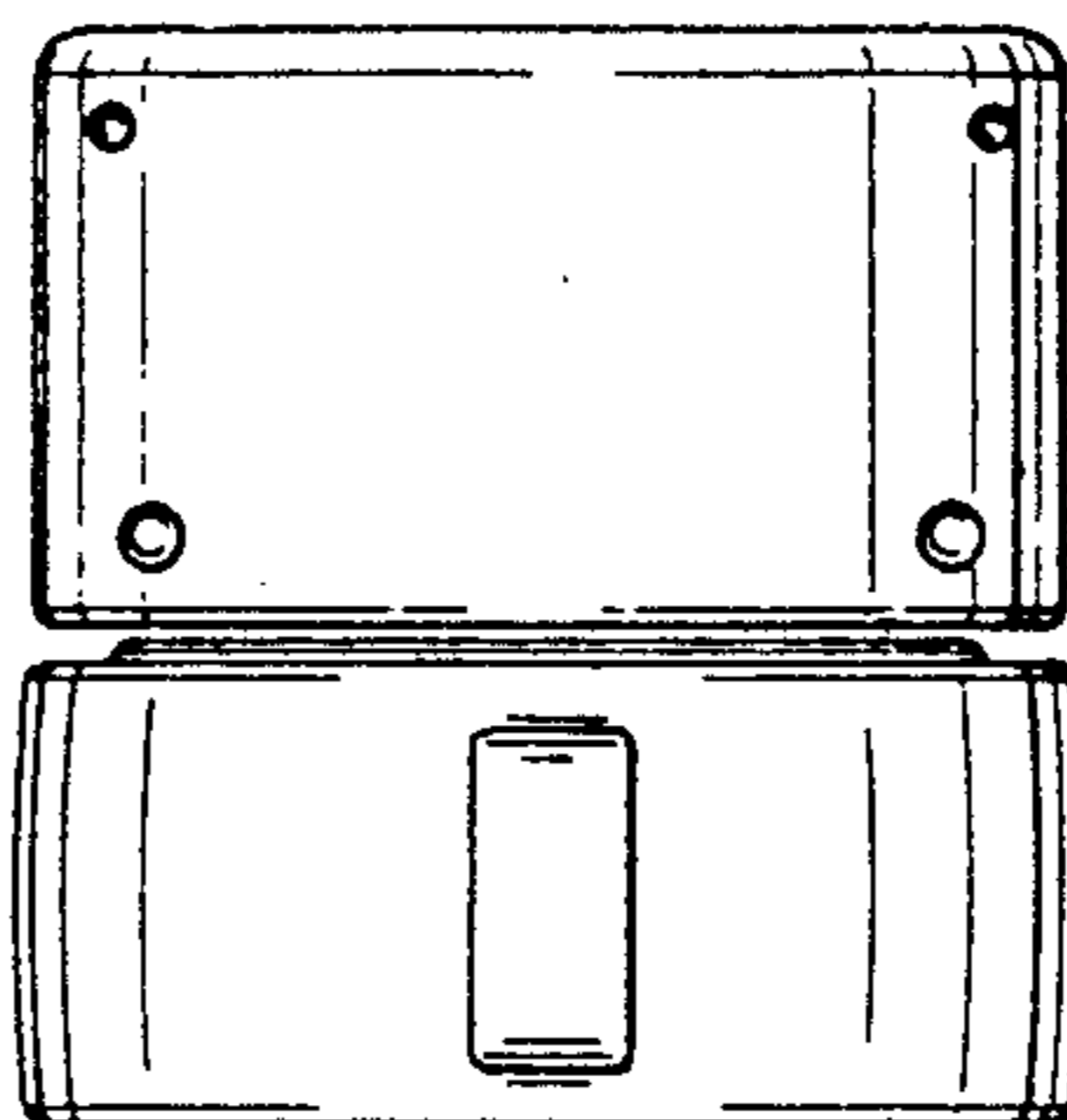


Fig. 6

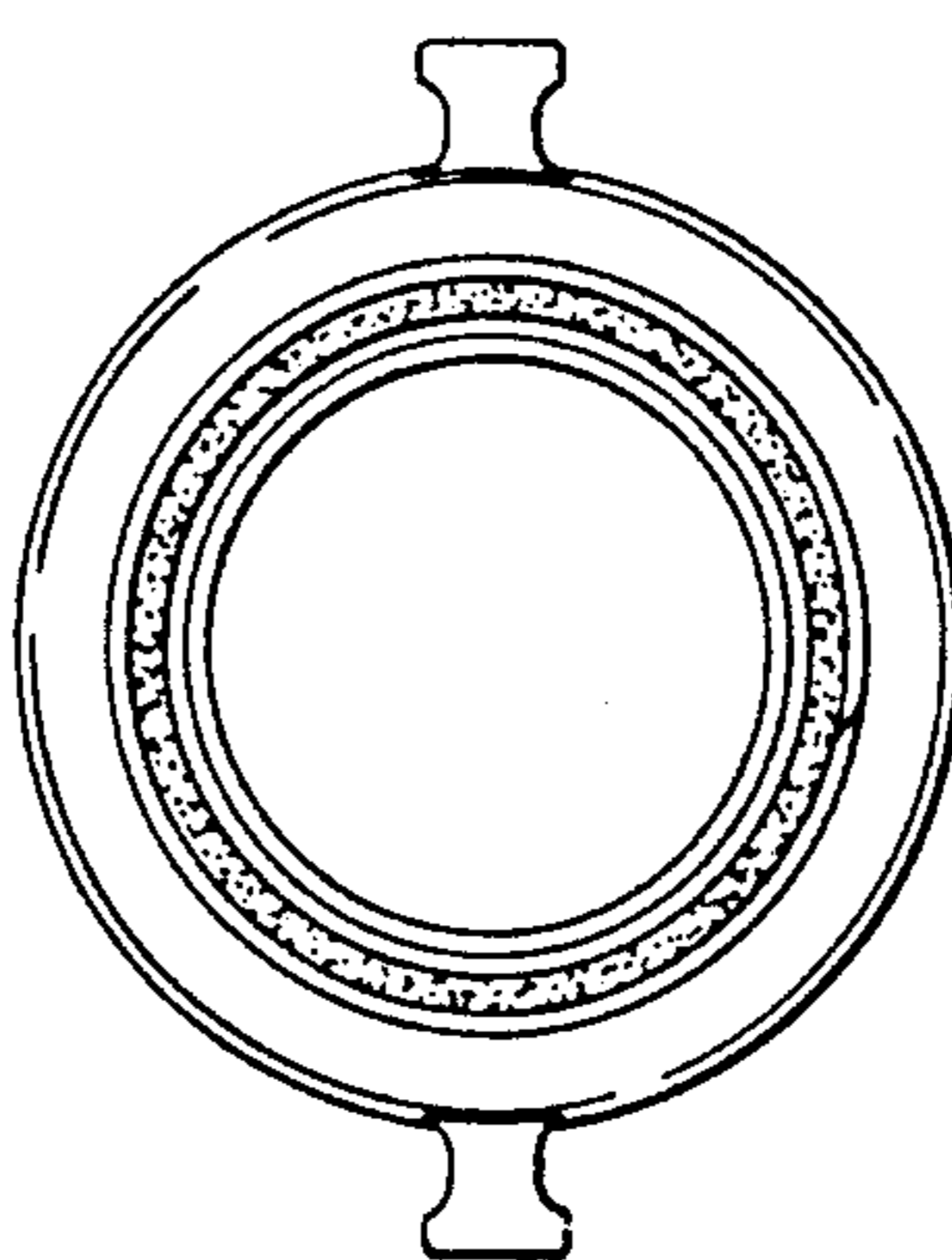


Fig.7

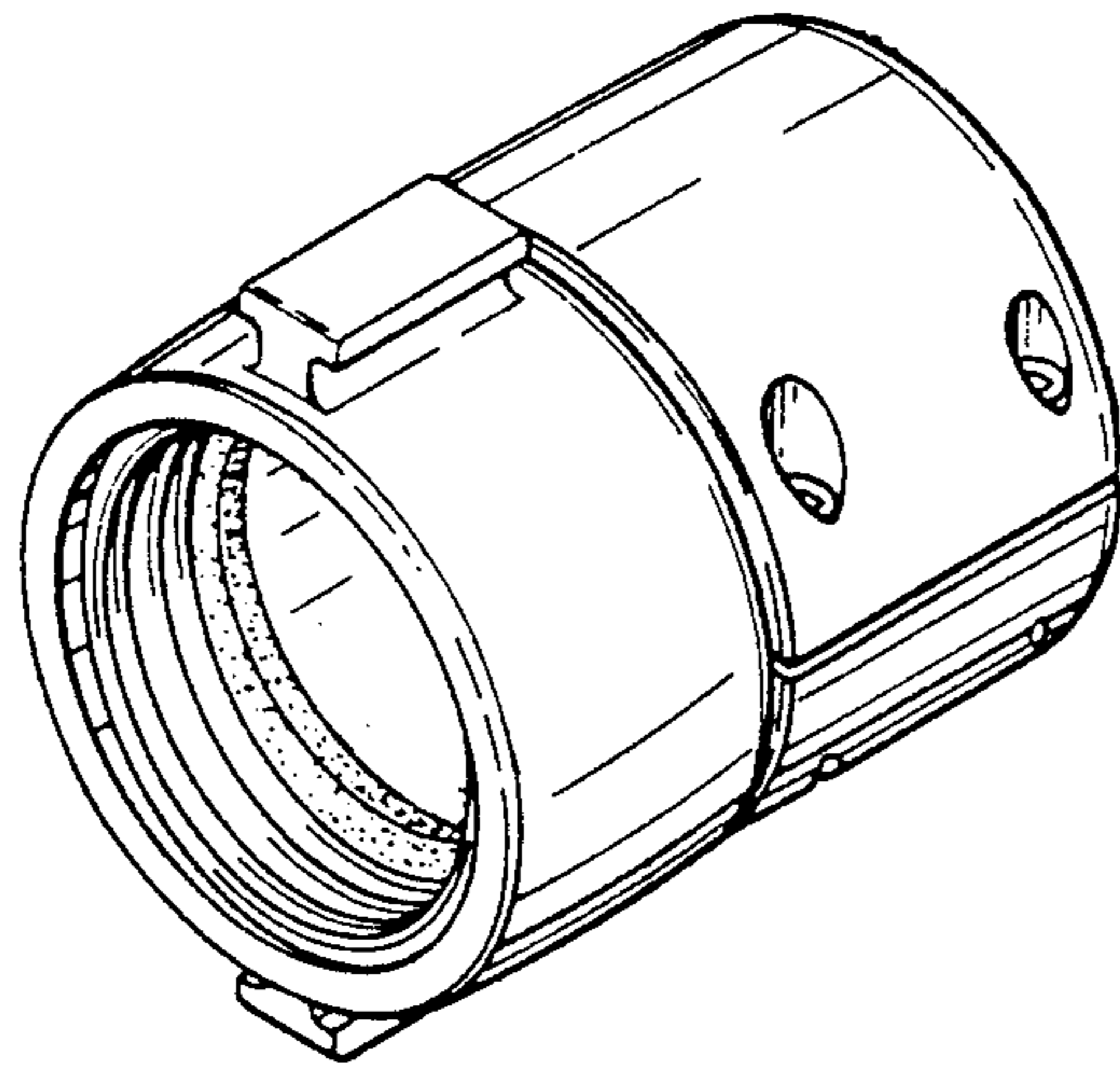


Fig. 10

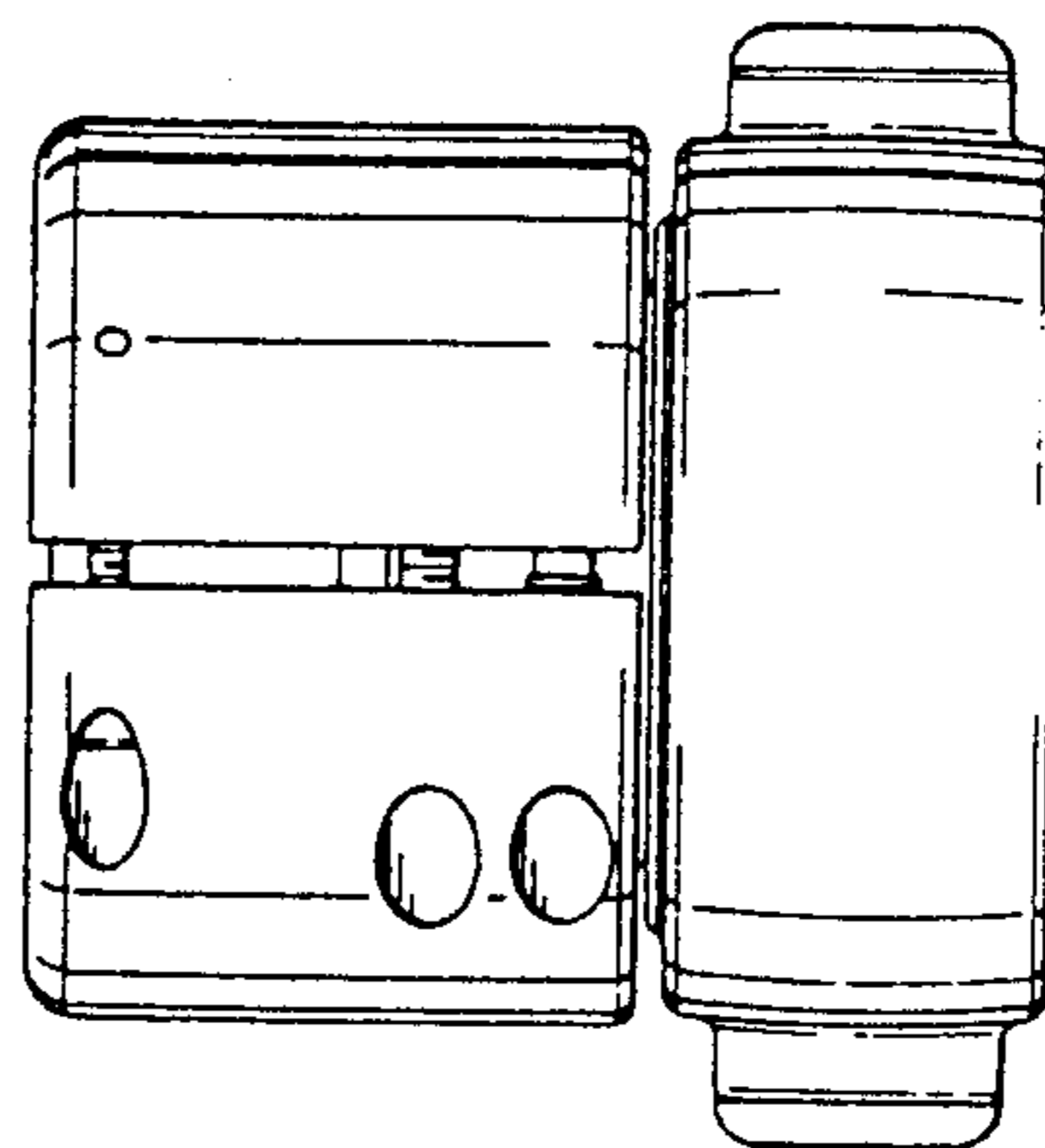


Fig. 8

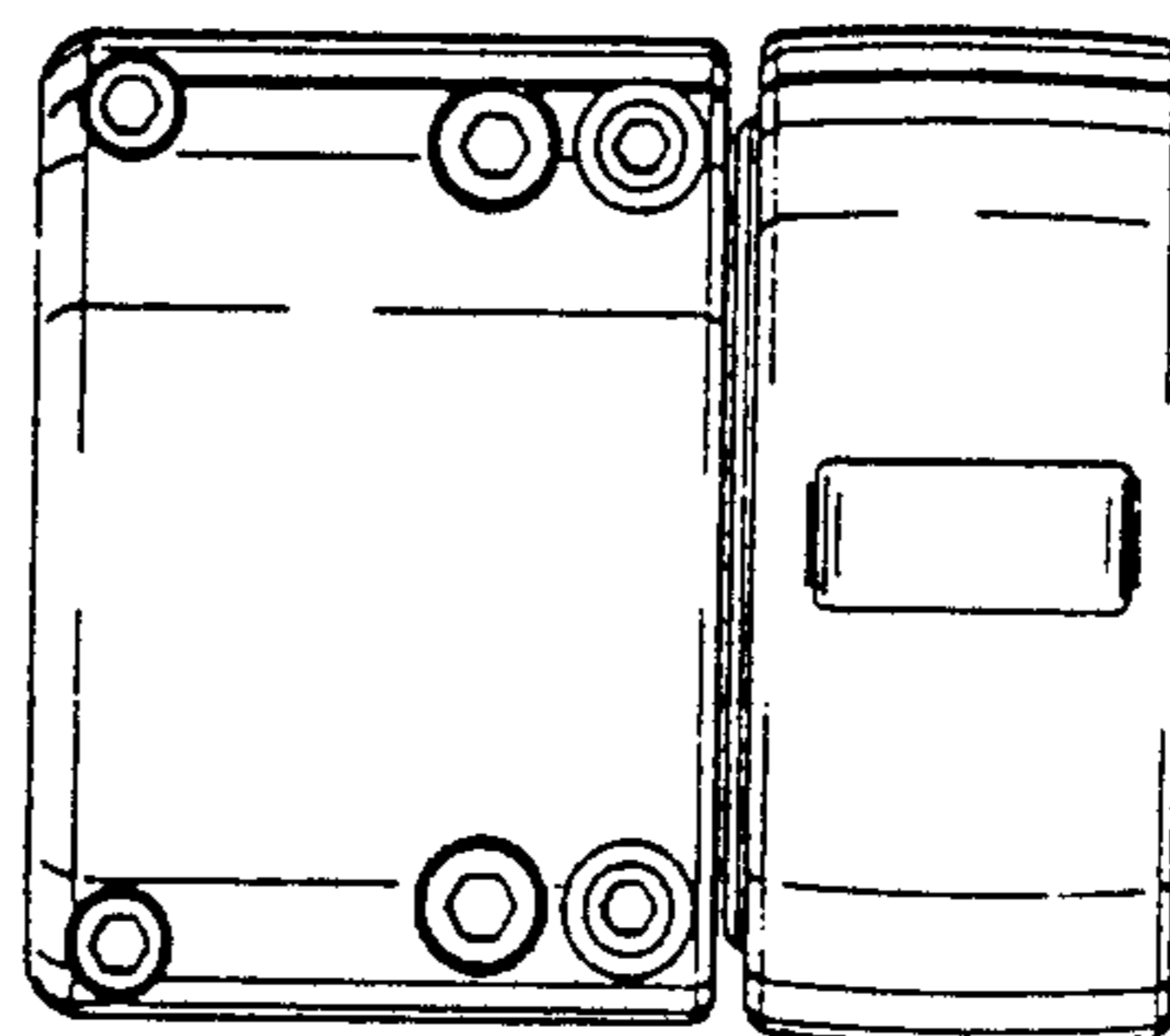


Fig. 9

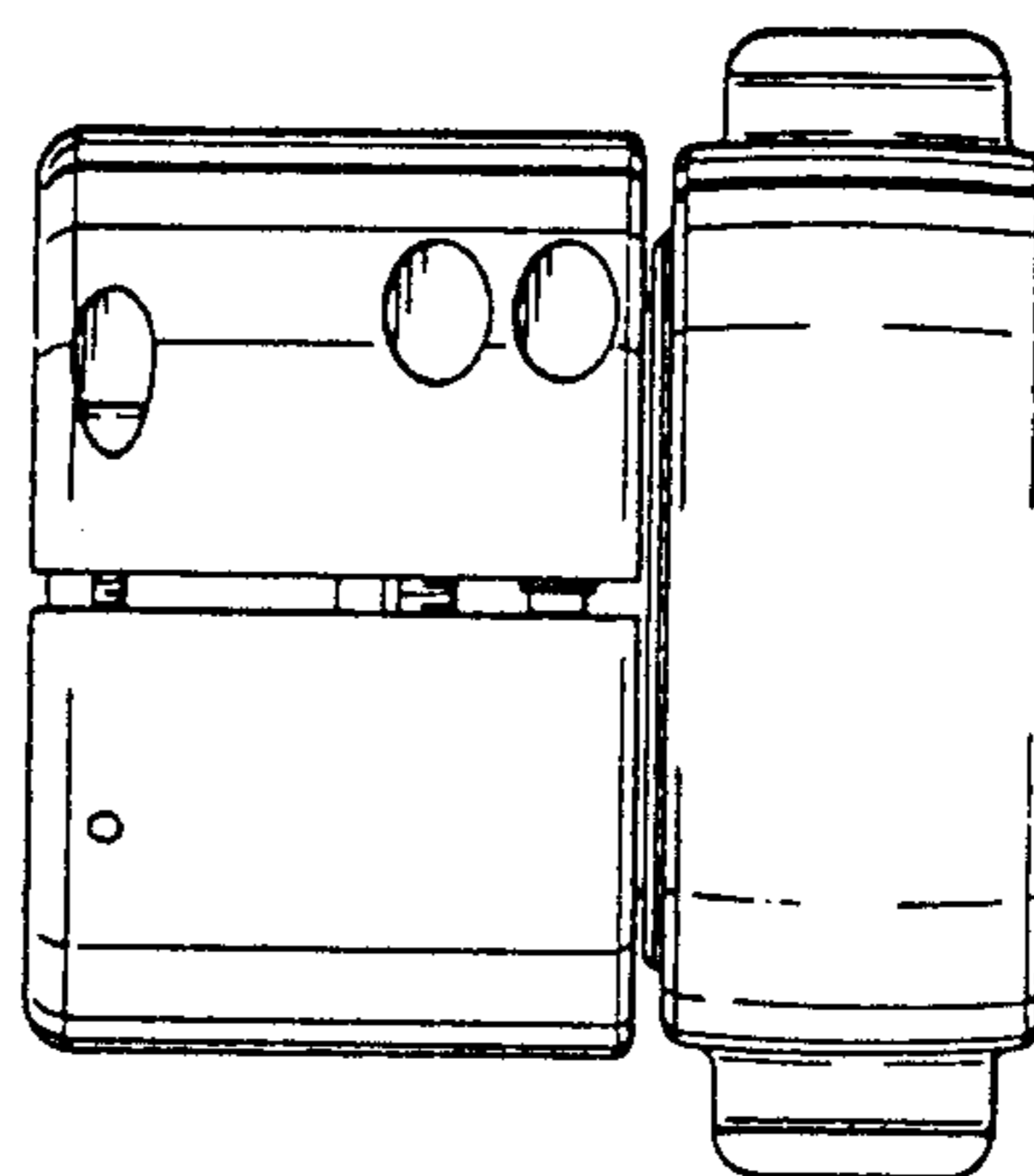


Fig. 12

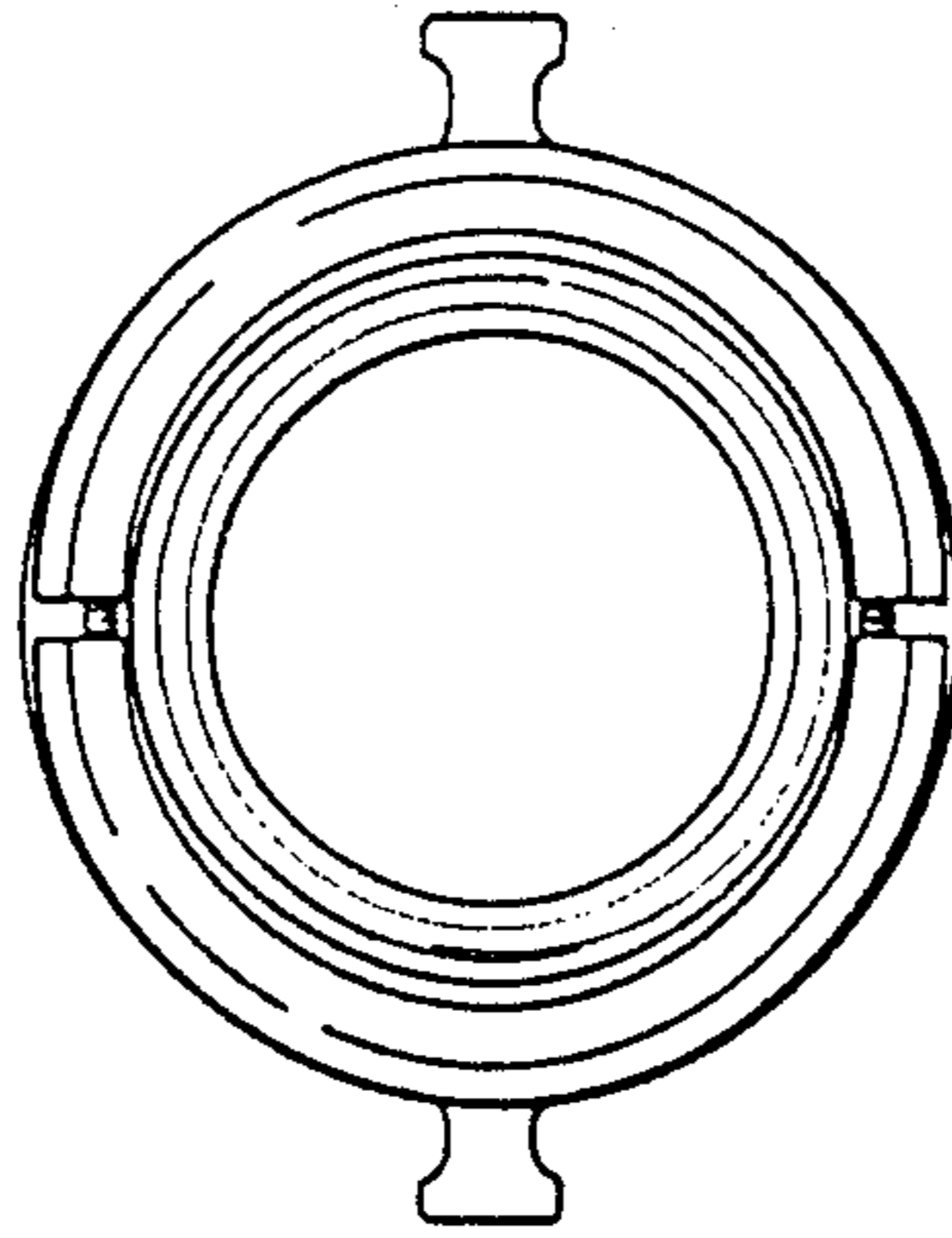


Fig. 11

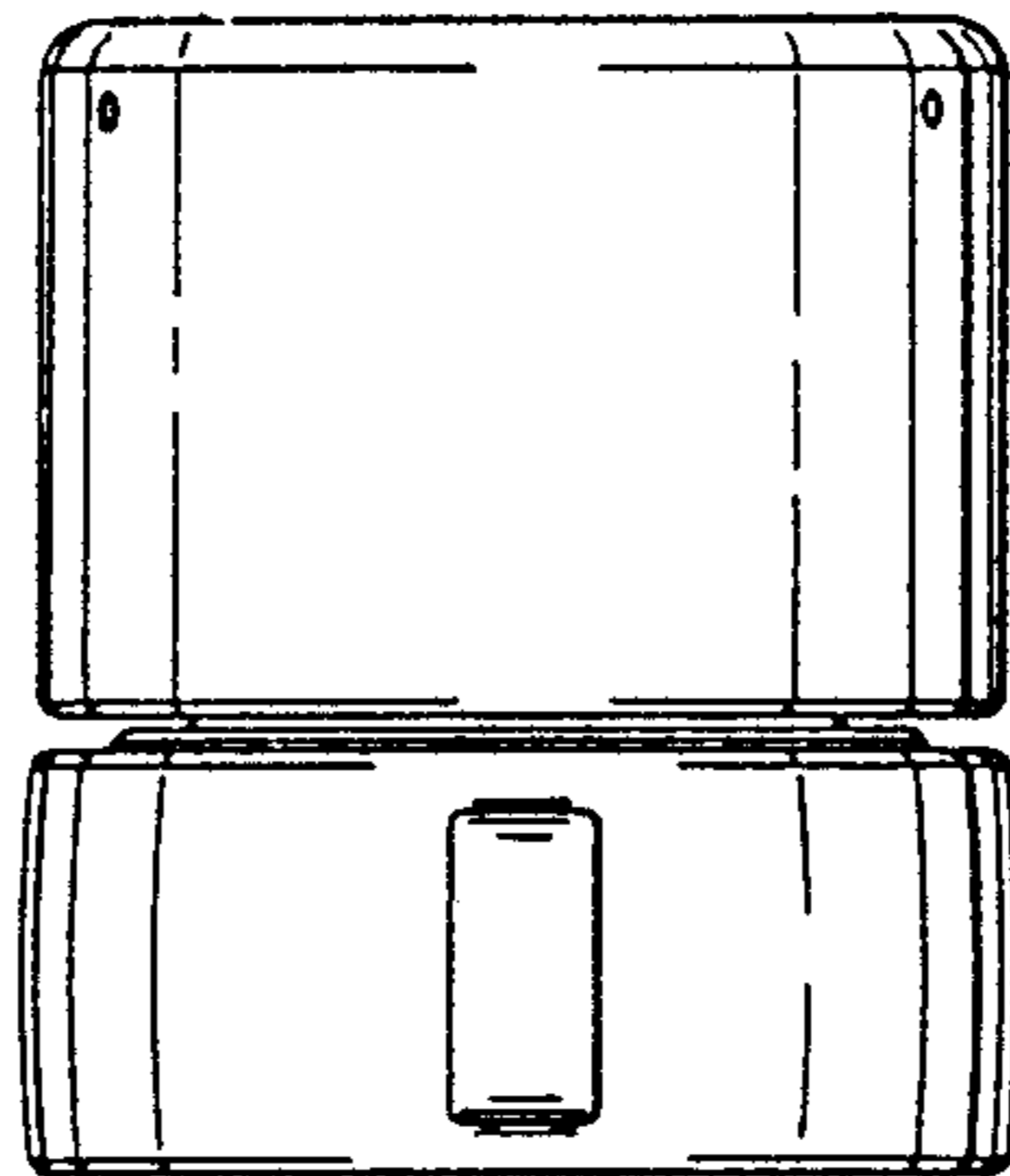


Fig. 13

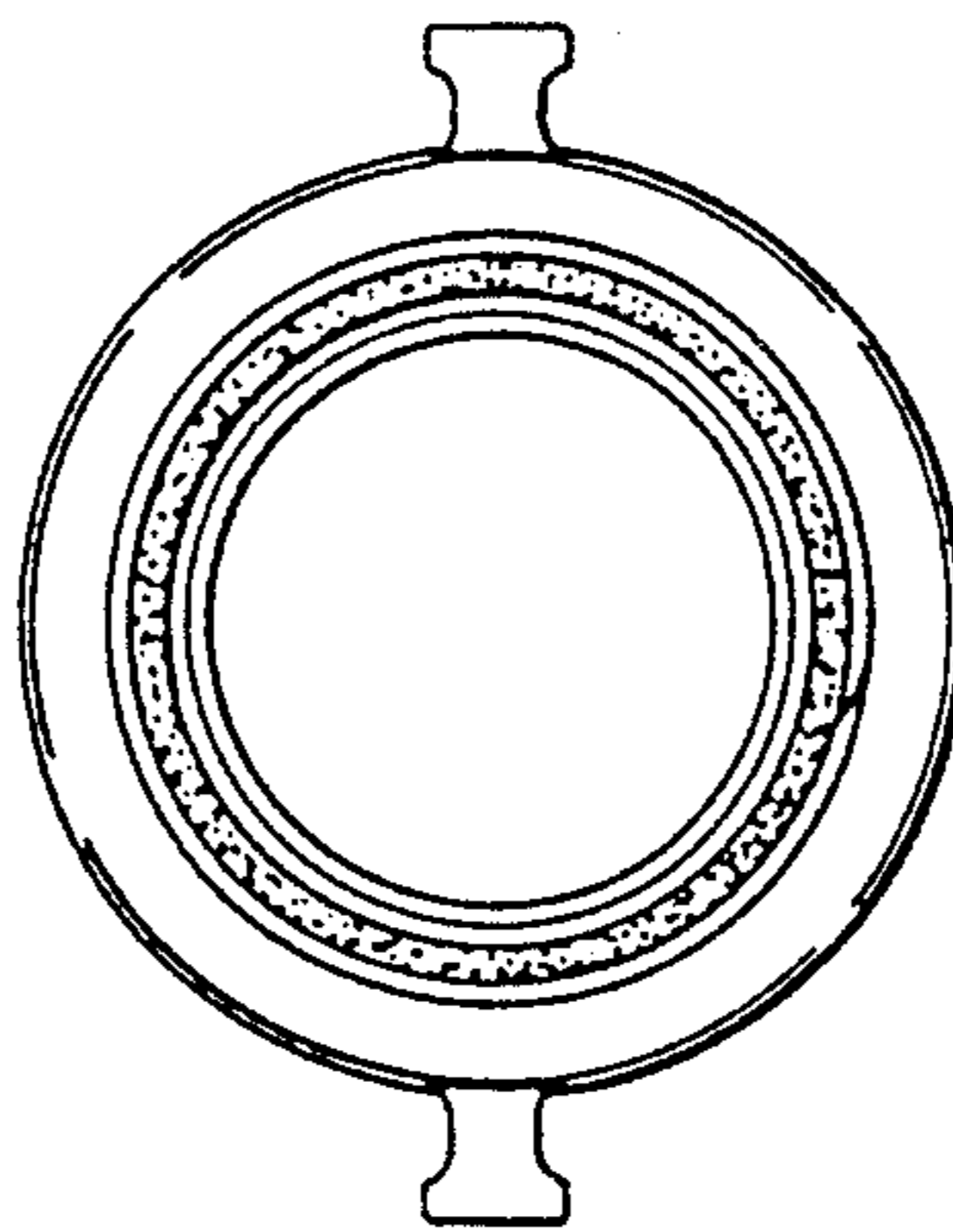


Fig.14

