

[54] **FAUCET HANDLE**

[75] **Inventor: Stanley M. Paul, Rye, N.Y.**

[73] **Assignee: Paul Associates, Inc., Long Island, N.Y.**

[**] **Term: 14 Years**

[21] **Appl. No.: 190,933**

[22] **Filed: May 6, 1988**

[52] **U.S. Cl. D23/254; D8/301; D8/307**

[58] **Field of Search D8/308, 301, 307, 310, D8/352; D23/250-254; 16/110 R, 111 R, 121, 124, 125**

[56] **References Cited**

U.S. PATENT DOCUMENTS

D. 101,811 11/1936 **Graff** D8/311
D. 123,262 10/1940 **Foster** D8/307

D. 132,609 6/1942 **Tornoe** D8/312
2,068,922 1/1937 **Marchand** 16/121

OTHER PUBLICATIONS

Paul Associates Cat.; p. 6 of Price List; Escutcheon.

Primary Examiner—B. J. Bullock
Attorney, Agent, or Firm—Darby & Darby

[57] **CLAIM**

The ornamental design for a faucet handle, as shown and described.

DESCRIPTION

FIG. 1 is a top perspective view of a faucet handle showing my new design;
FIG. 2 is a front elevational view thereof, the rear being identical;
FIG. 3 is a left side elevational view thereof, the right side being identical;
FIG. 4 is a top plan view thereof; and
FIG. 5 is a bottom plan view thereof.

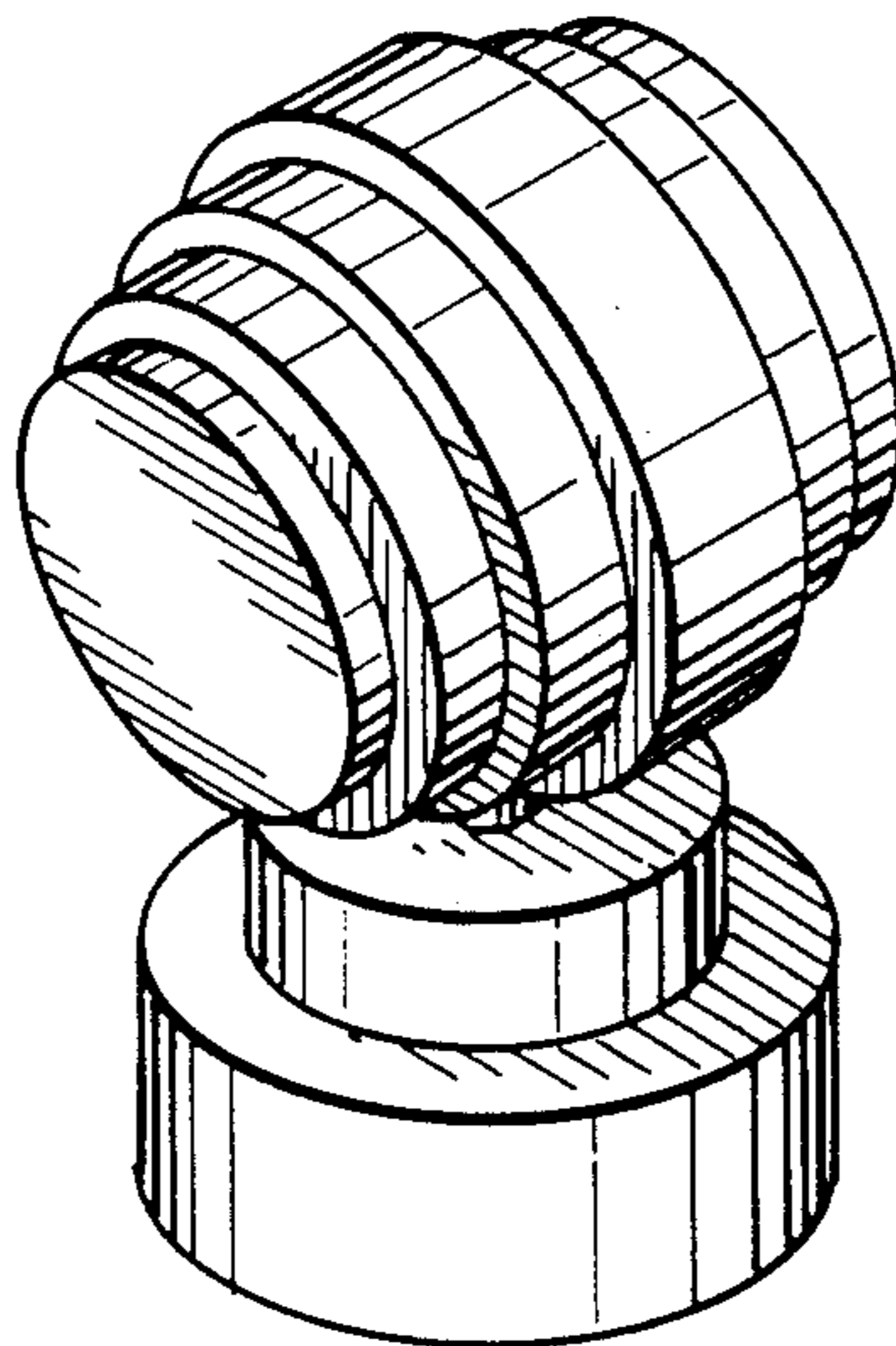


FIG. 1

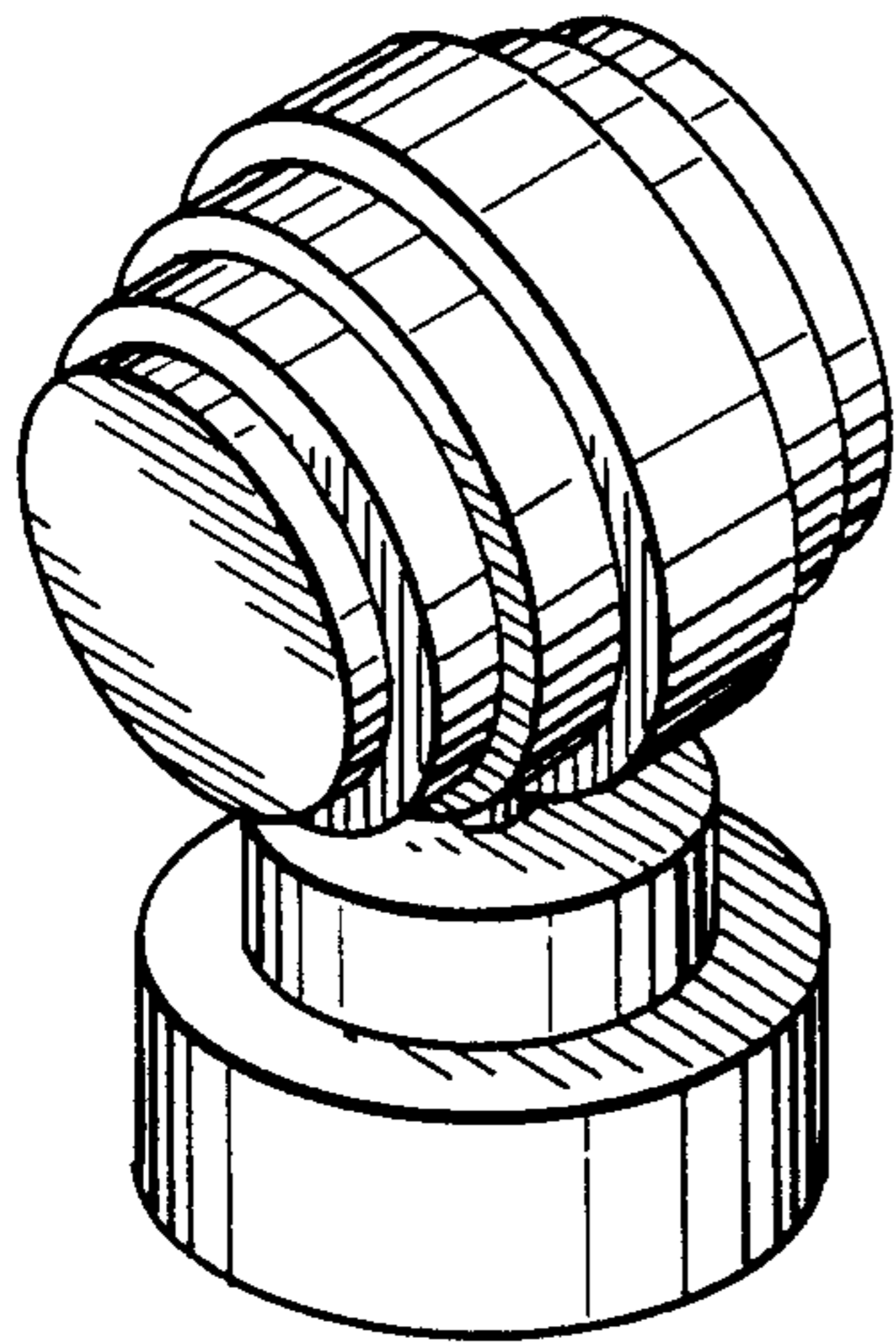


FIG. 2

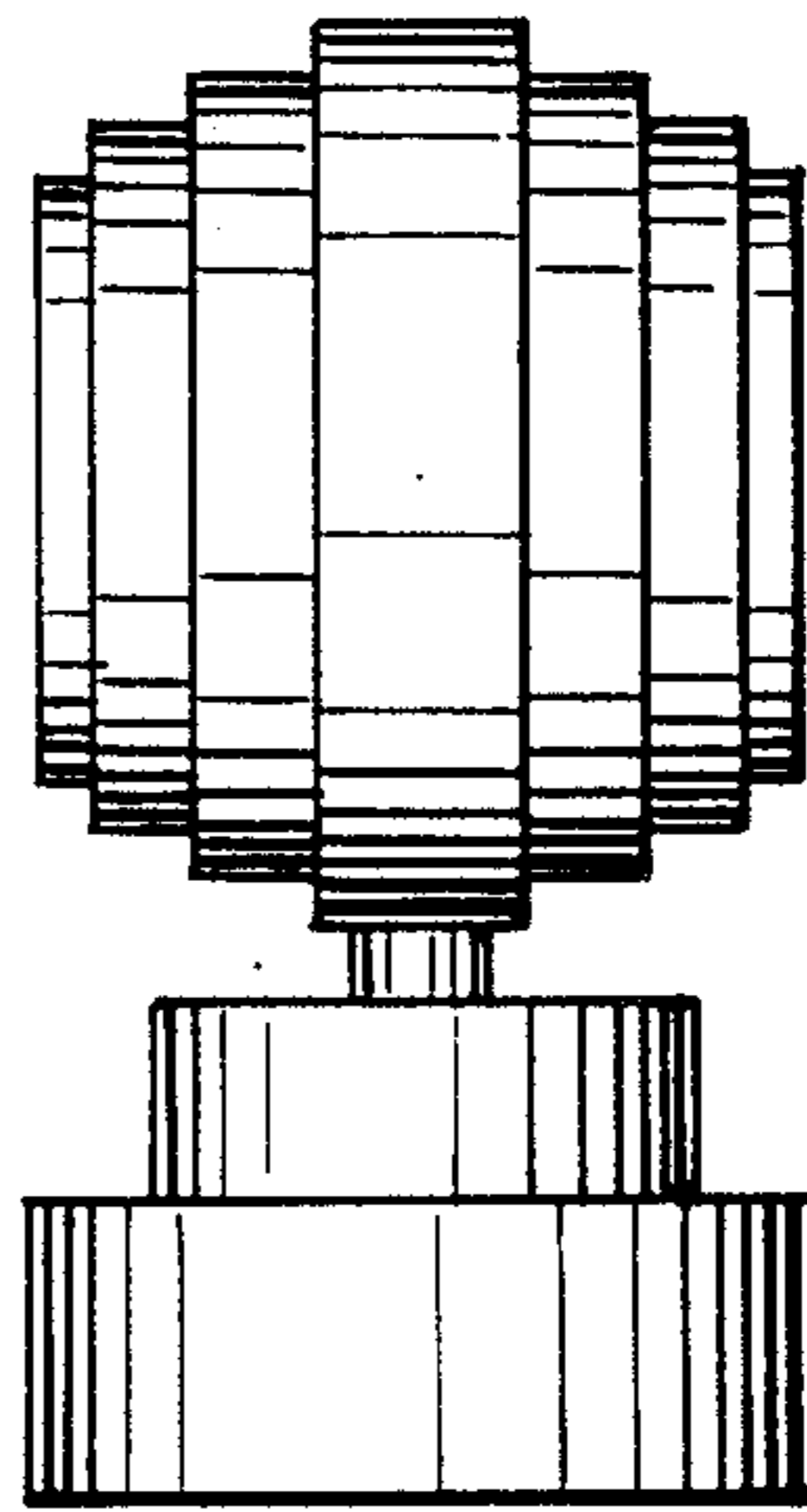


FIG. 3

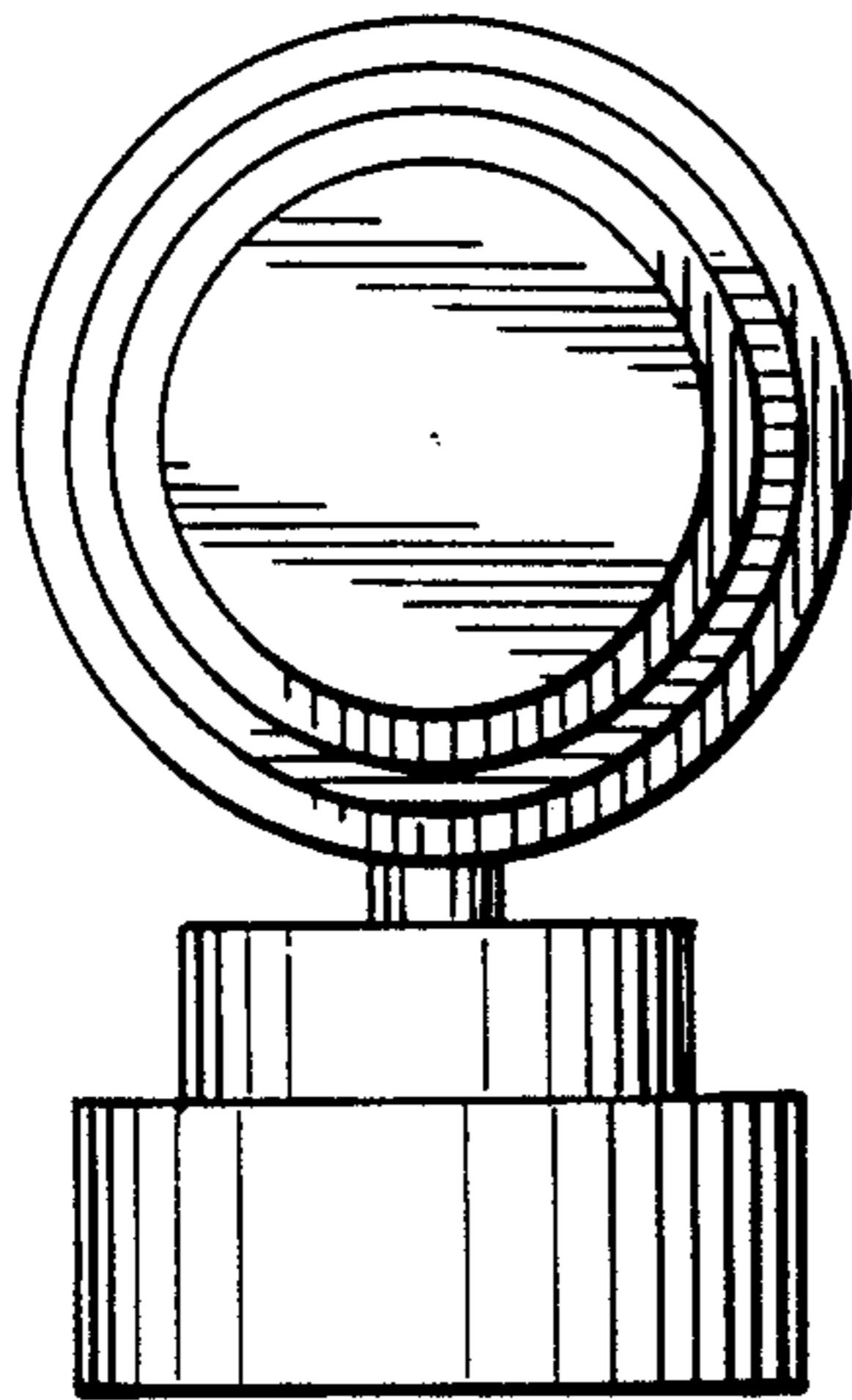


FIG. 4

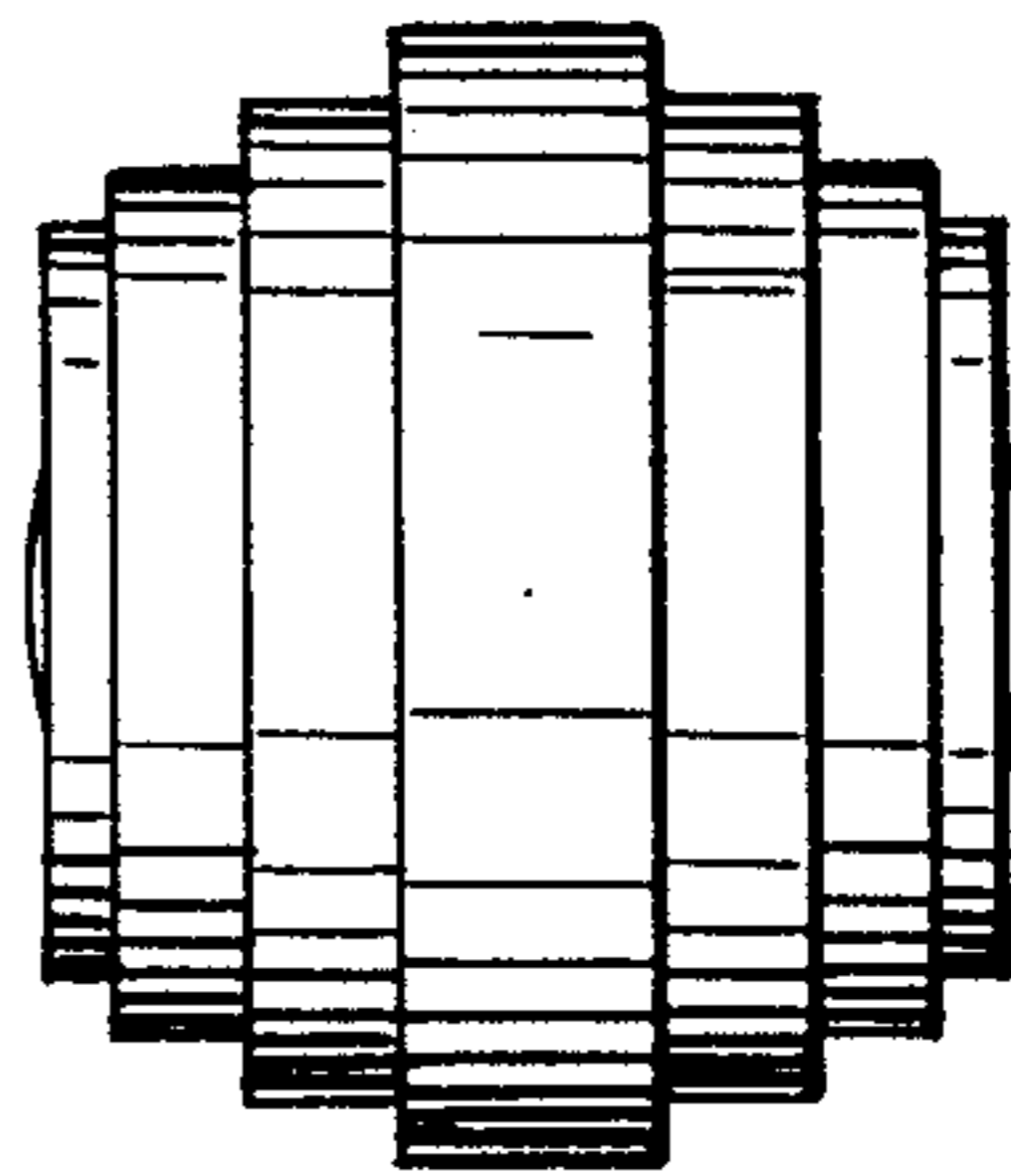


FIG. 5

