

[54] **FAUCET SET**

[75] **Inventor: Joseph Strignano, New York, N.Y.**
[73] **Assignee: I. W. Industries, Inc., Melville, N.Y.**
[**] **Term: 14 Years**
[21] **Appl. No.: 477,220**
[22] **Filed: Feb. 8, 1990**

D. 278,458	4/1985	Paul	D23/242
D. 279,213	6/1985	Paul	D23/242
D. 290,159	6/1987	Jans	D23/242
D. 290,160	6/1987	Paul	D23/241
D. 290,869	7/1987	Paul	D23/242
D. 290,870	7/1987	Paul	D23/242
D. 290,871	7/1987	Paul	D23/242
D. 299,851	2/1989	Rademacher	D23/241

Related U.S. Application Data

[62] Division of Ser. No. 39,646, Apr. 16, 1987, Pat. No. Des. 309,003.
[52] **U.S. Cl. D23/242**
[58] **Field of Search D23/238-243;**
4/191, 192; 137/801

References Cited

U.S. PATENT DOCUMENTS

D. 265,231 6/1982 Paul D23/241
D. 271,514 11/1983 Paul D23/242

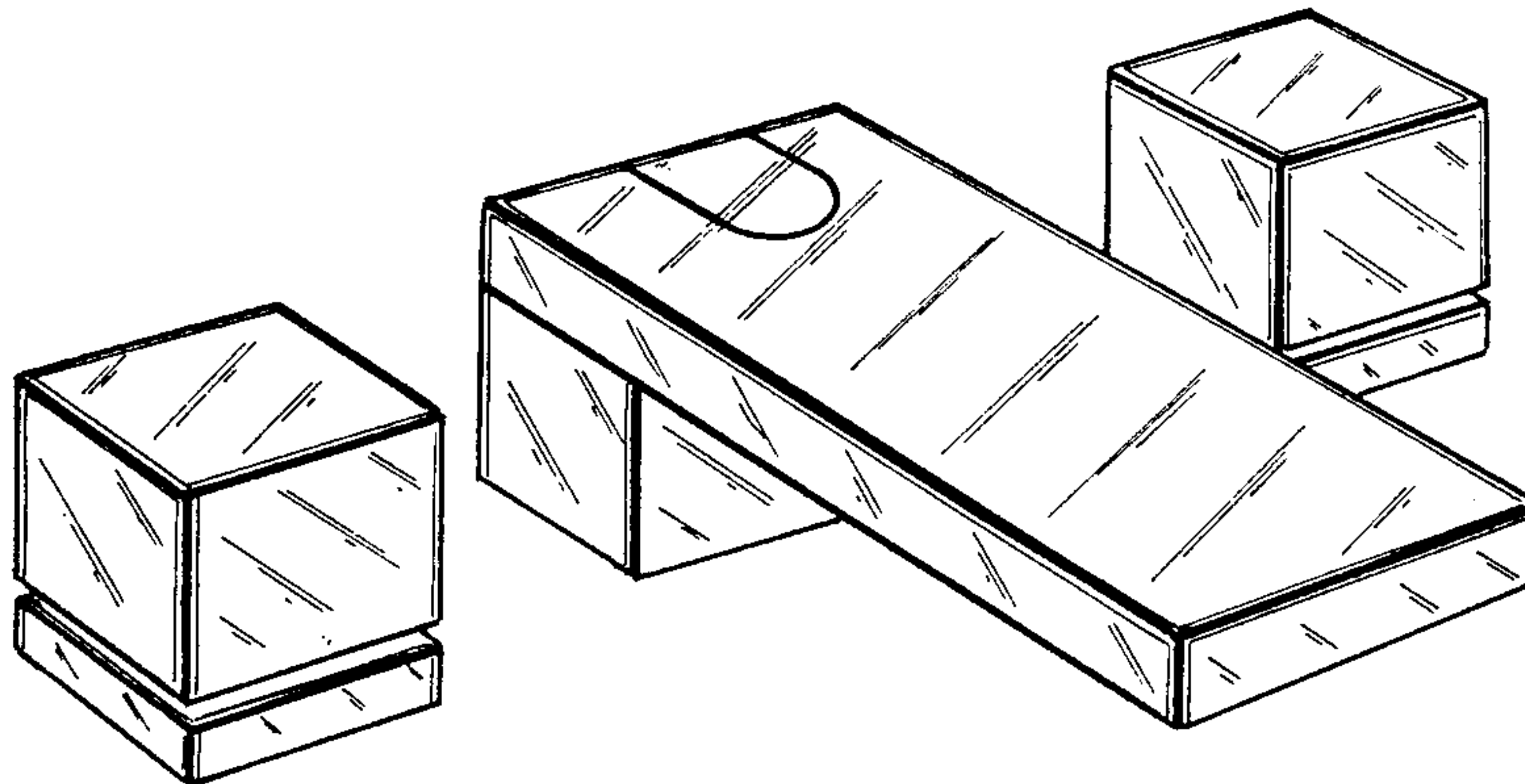
Primary Examiner—James R. Lergen
Attorney, Agent, or Firm—Alfred M. Walker

[57] **CLAIM**

The ornamental design for a faucet set, as shown and described.

DESCRIPTION

FIG. 1 is a perspective view taken from the top front and left side of a faucet set showing my new design; FIG. 2 is a top plan view thereof; FIG. 3 is a front elevational view; and FIG. 4 is a left side elevational view thereof, the right side being a mirror image of the left side shown.



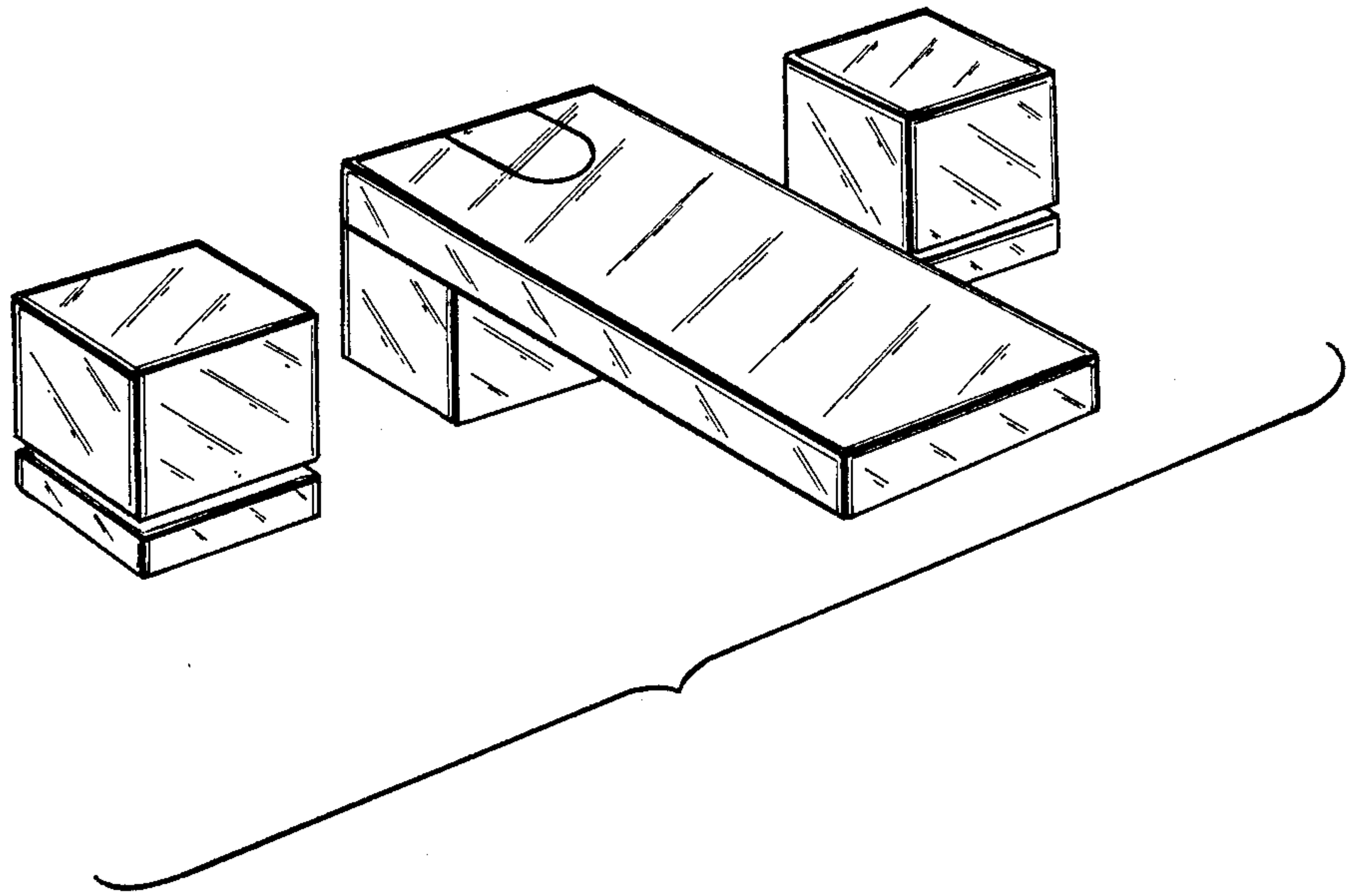


Fig. 1

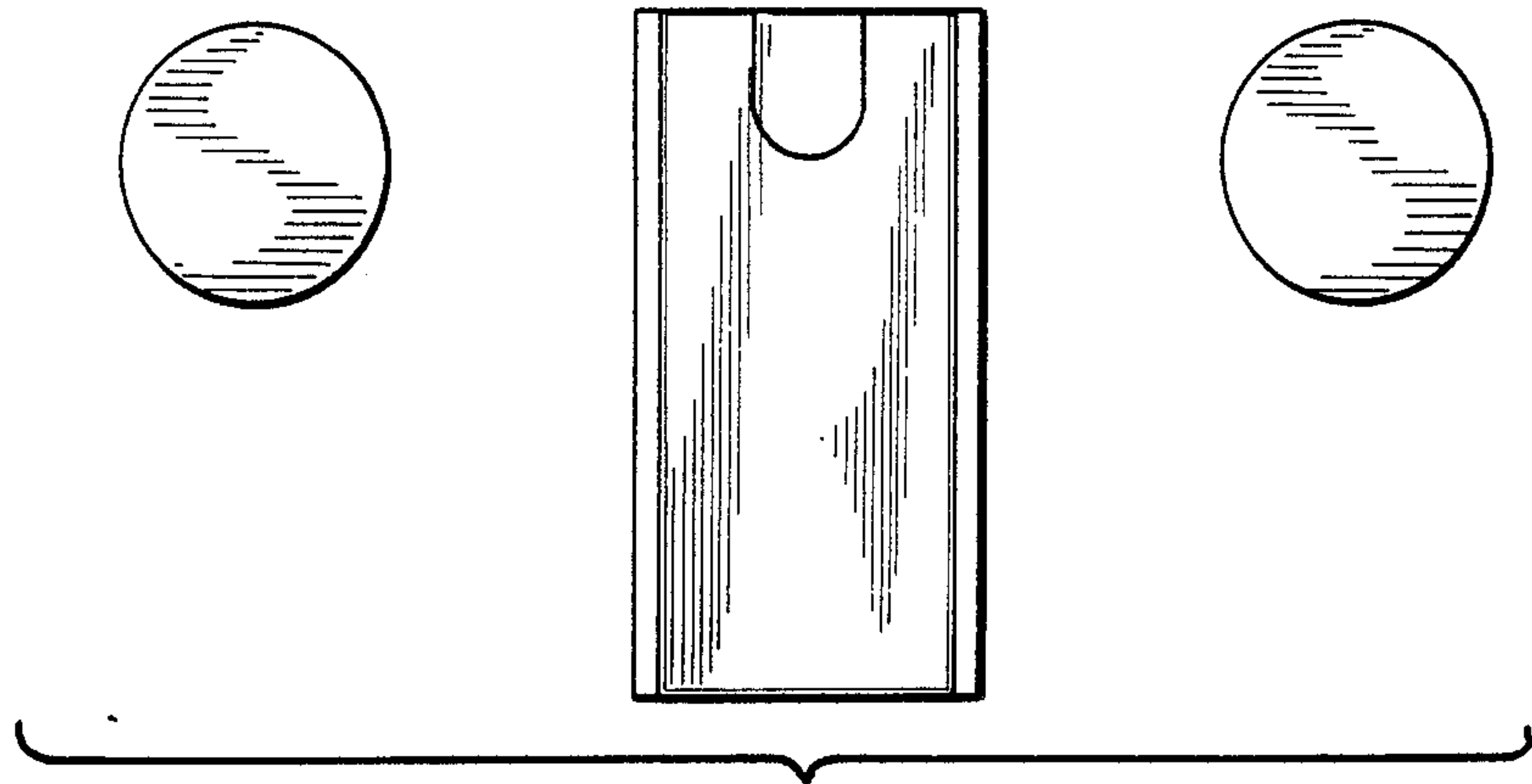


Fig. 2

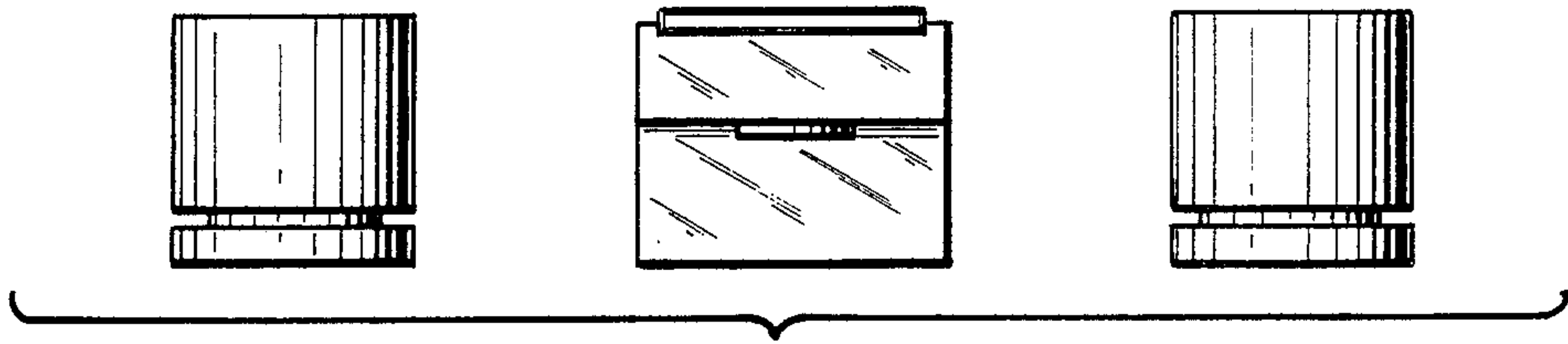


Fig. 3

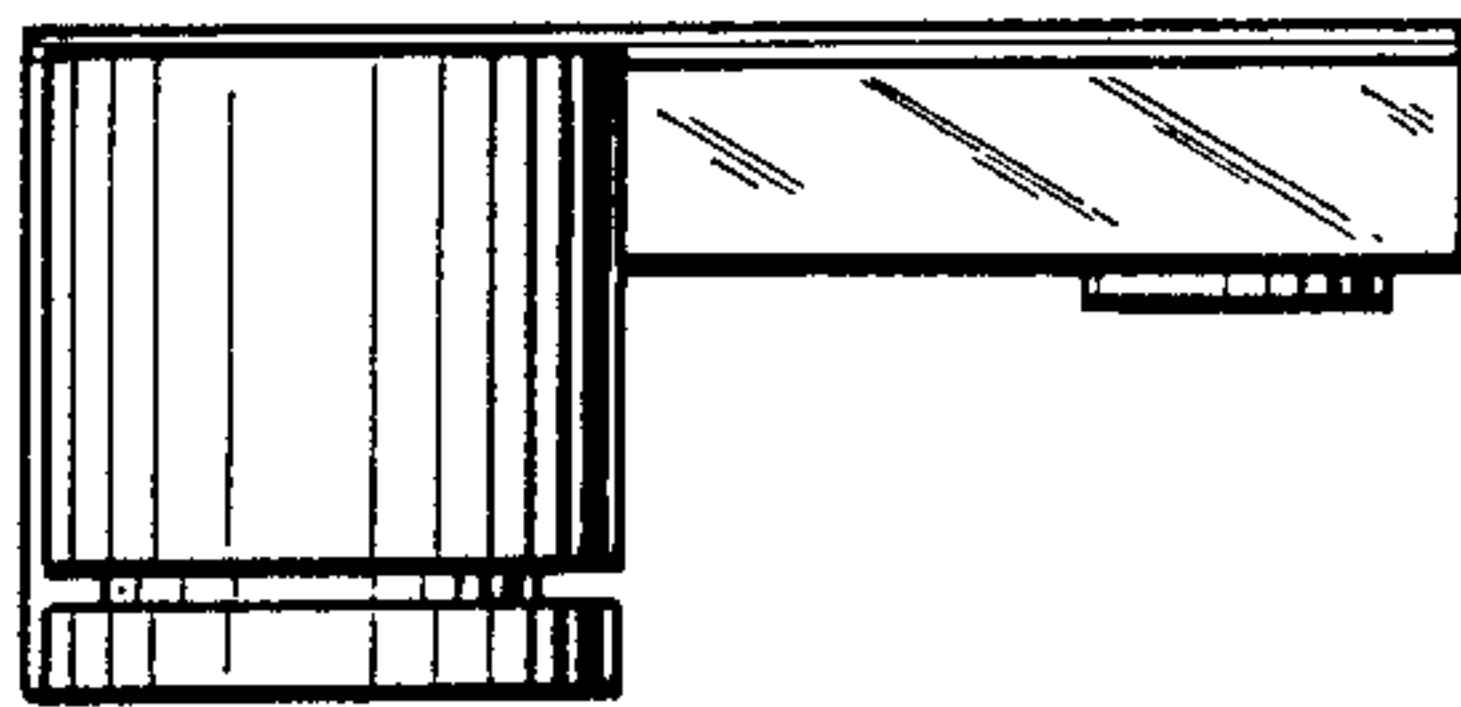


Fig. 4