

[54] LAVATORY FAUCET SET

[76] Inventor: Gerhard E. Joerger,
Hans-Thoma-Strasse 93, D-6800
Mannheim 25, Fed. Rep. of Germany

[**] Term: 14 Years

[21] Appl. No.: 39,567

[22] Filed: Apr. 16, 1987

[30] Foreign Application Priority Data

Oct. 31, 1986 [DE] Fed. Rep. of Germany MR
V/1335

[52] U.S. Cl. D23/242

[58] Field of Search D23/238-243;
4/191-192; 137/801

[56] References Cited

U.S. PATENT DOCUMENTS

D. 265,229	6/1982	Paul	D23/242
D. 267,110	11/1982	Arnolds	D23/242
D. 280,543	9/1985	Paul	D23/242
D. 286,562	11/1986	Yost	D23/242
D. 291,233	8/1987	Jans	D23/242
D. 291,236	8/1987	Delepine	D23/242

Primary Examiner—James R. Largen
Attorney, Agent, or Firm—Jordan and Hamburg

[57] CLAIM

The ornamental design for the lavatory faucet set, as shown and described.

DESCRIPTION

FIG. 1 is a perspective view of a lavatory faucet set showing my new design with the handles in an open position;

FIG. 2 is a left side elevational view thereof, the right side being a mirror image of the left side shown;

FIG. 3 is a front elevational view thereof;

FIG. 4 is a top plan view thereof;

FIG. 5 is another perspective view thereof with the handles in the closed position;

FIG. 6 is a left side elevational view of FIG. 5, the right side being a mirror image of the left side shown;

FIG. 7 is a front elevational view of FIG. 5;

FIG. 8 is a top plan view of FIG. 5;

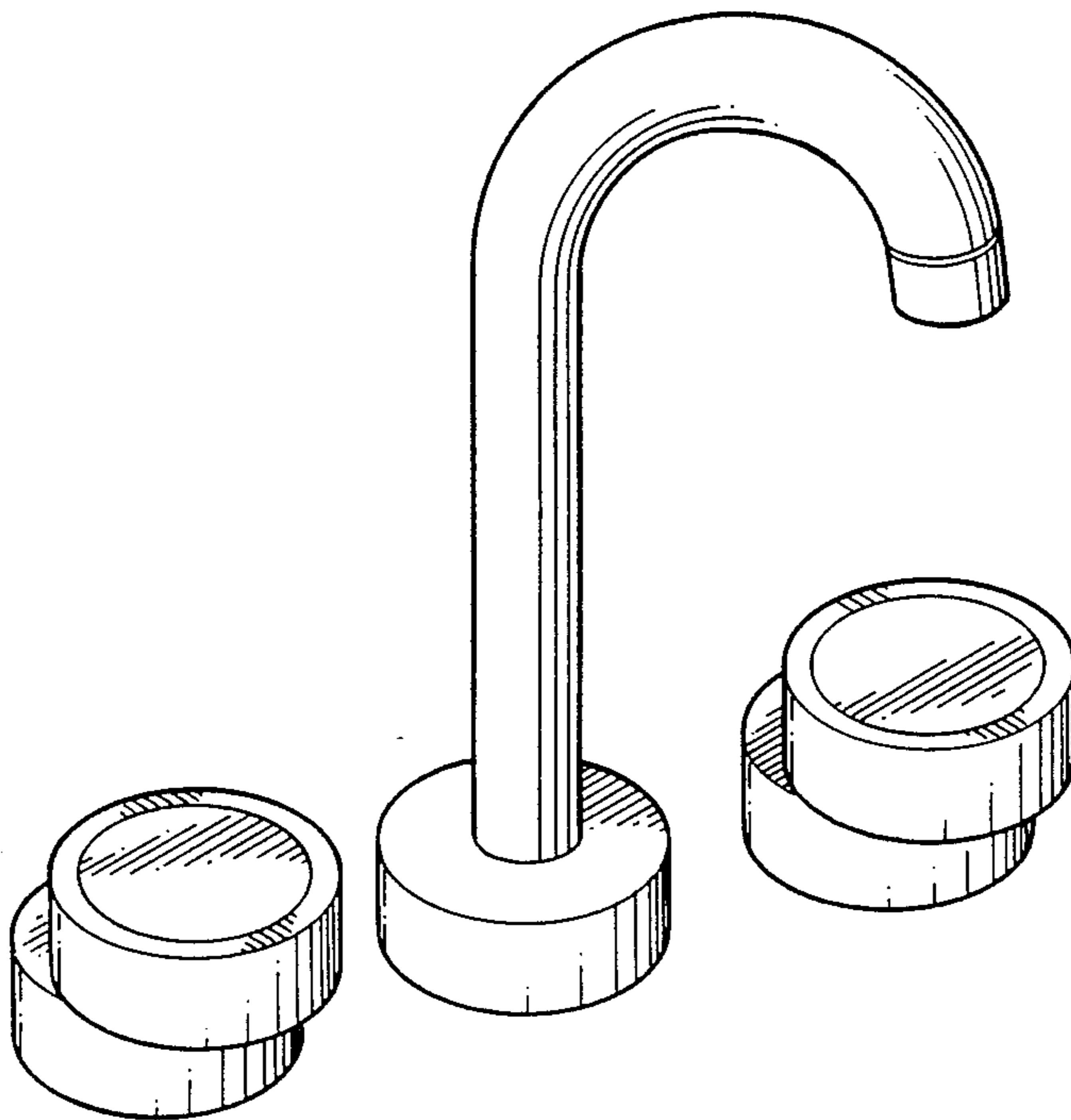
FIG. 9 is a perspective view of a second embodiment of the lavatory faucet set shown in FIG. 1 with the handles in the closed position;

FIG. 10 is a left side elevational view of FIG. 9, the right side being a mirror image of the left side shown;

FIG. 11 is a front elevational view of FIG. 9; and

FIG. 12 is a top plan view of FIG. 9.

The fragmentary broken line showing of a lavatory in FIGS. 3, 7 and 11 is for purposes of illustration only and forms no part of the claimed design.



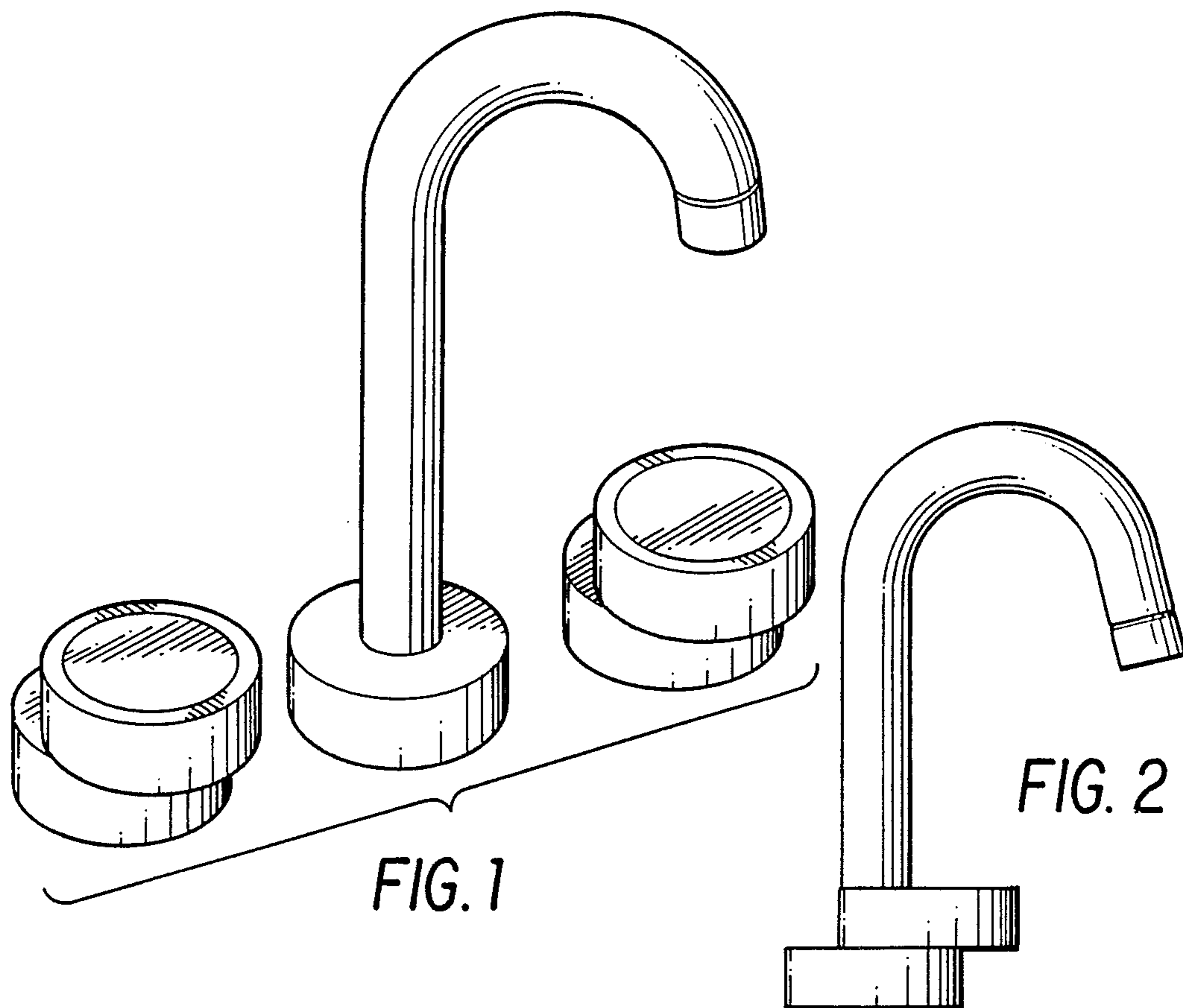


FIG. 1

FIG. 2

FIG. 4

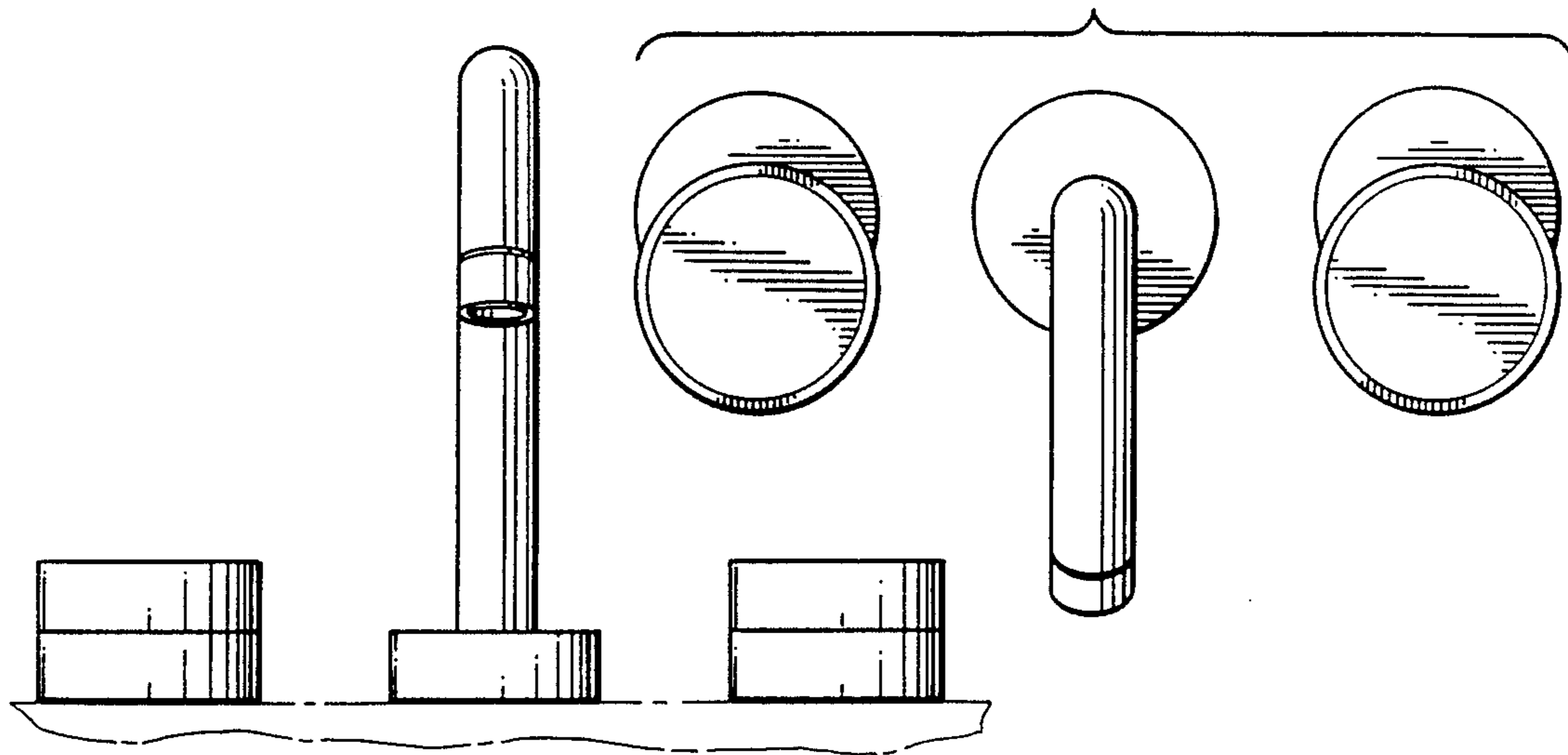
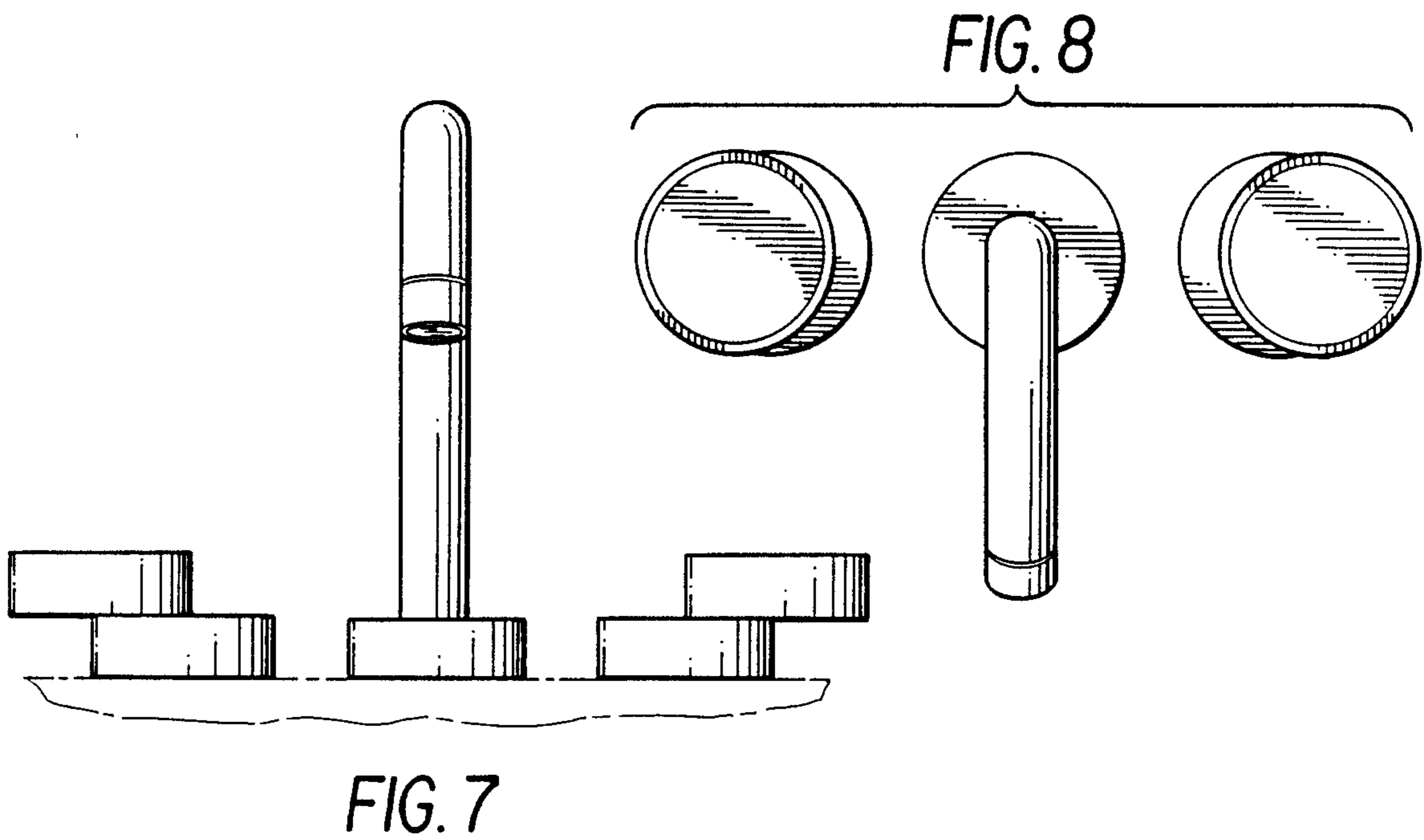
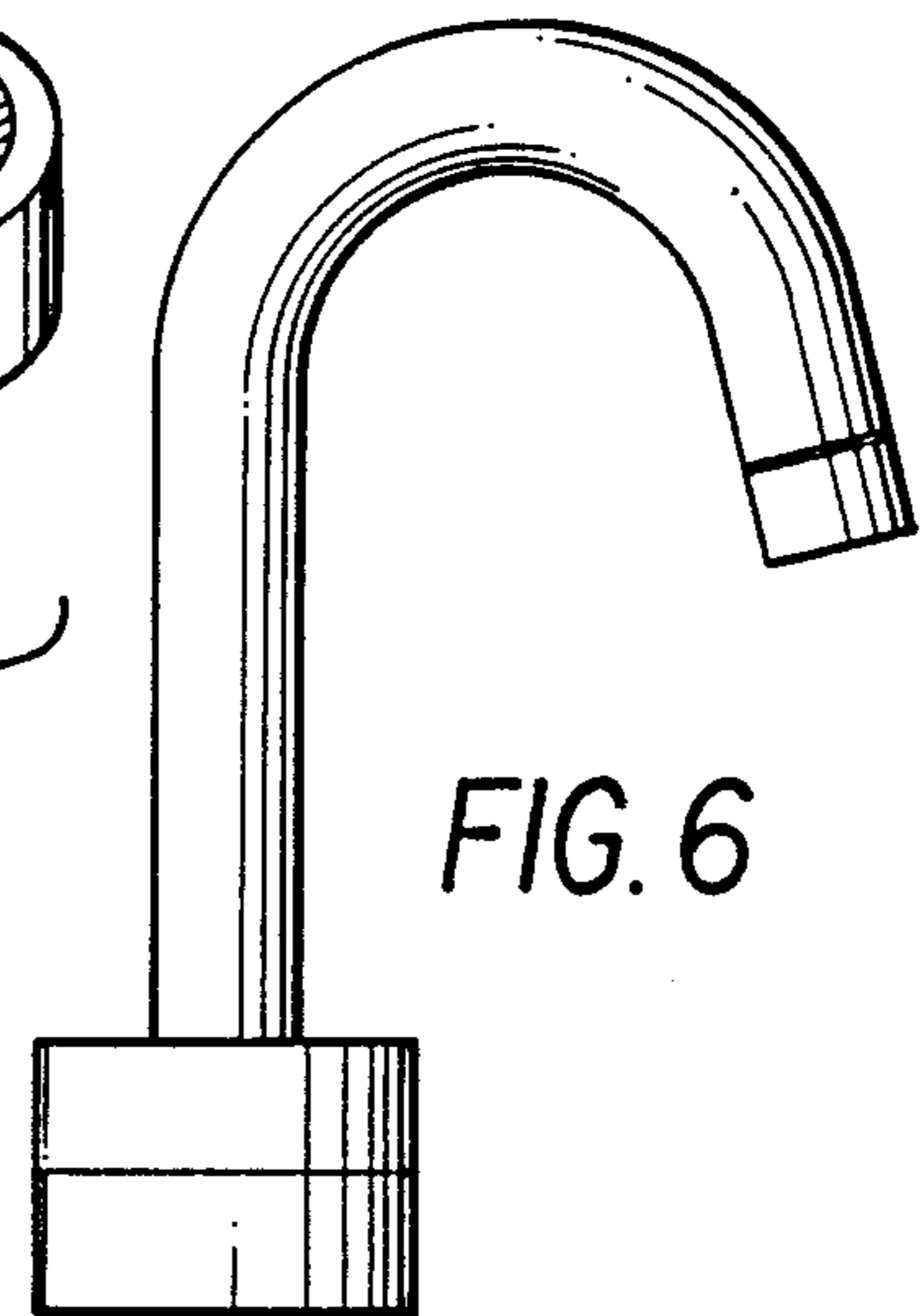
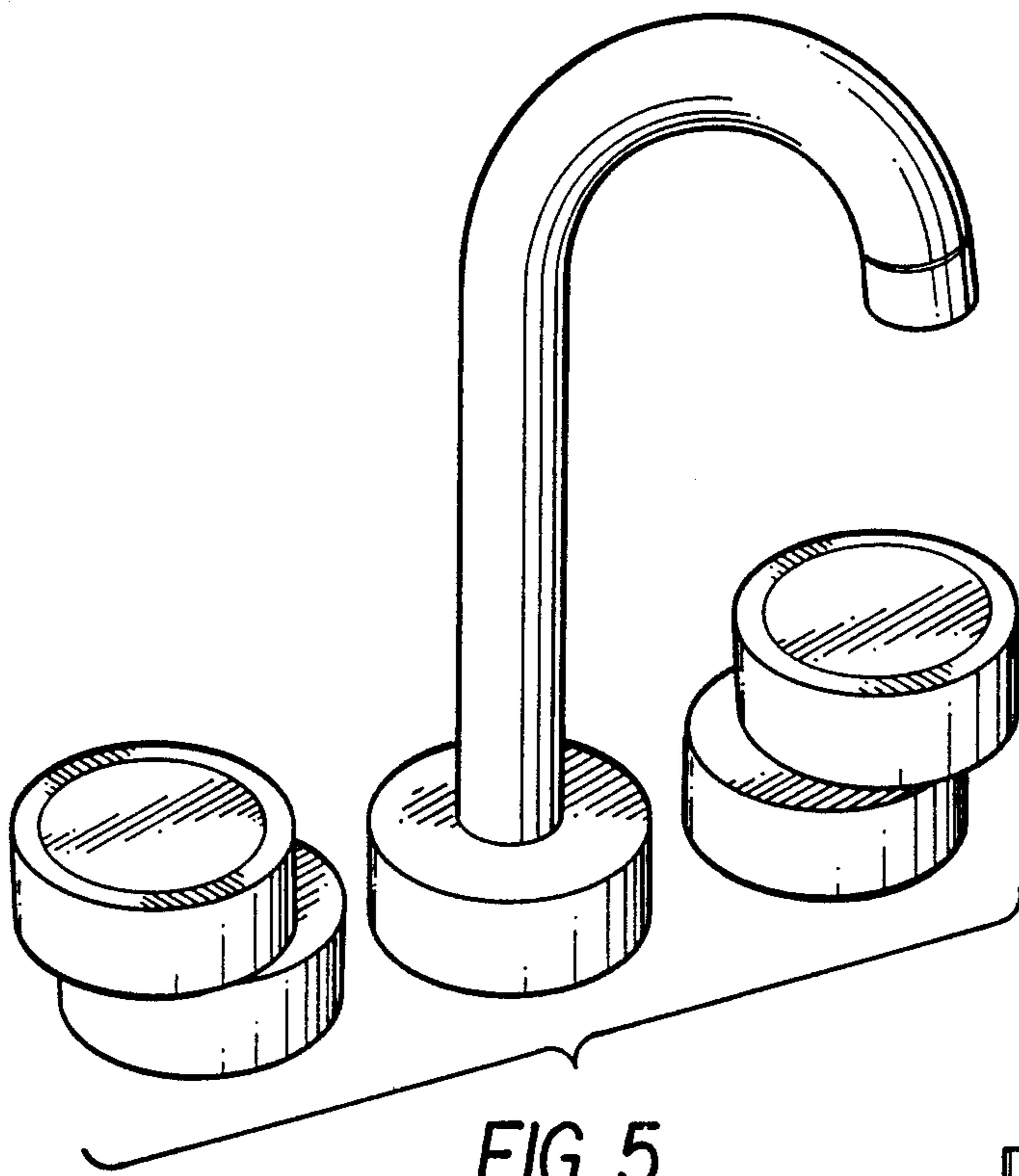


FIG. 3



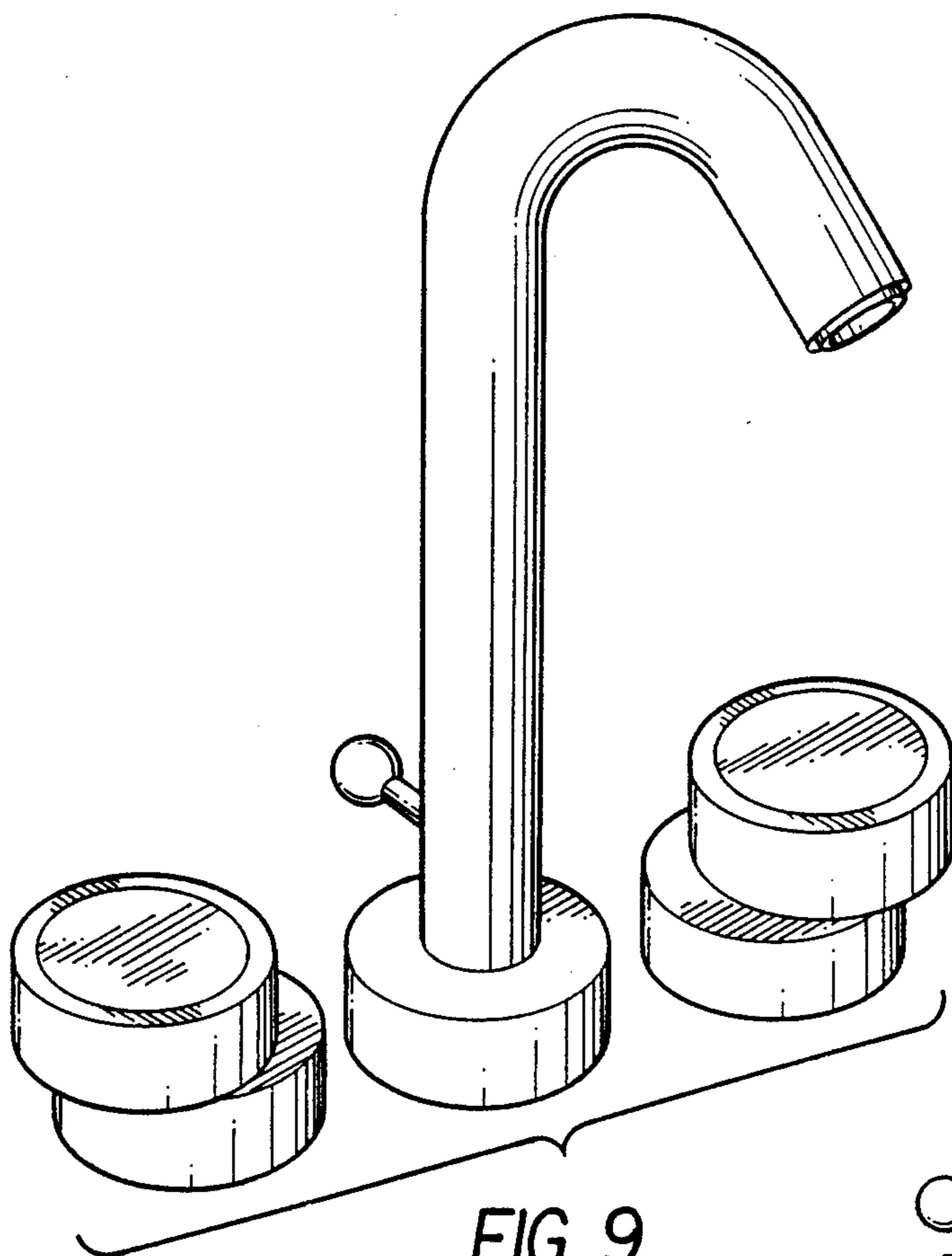


FIG. 9

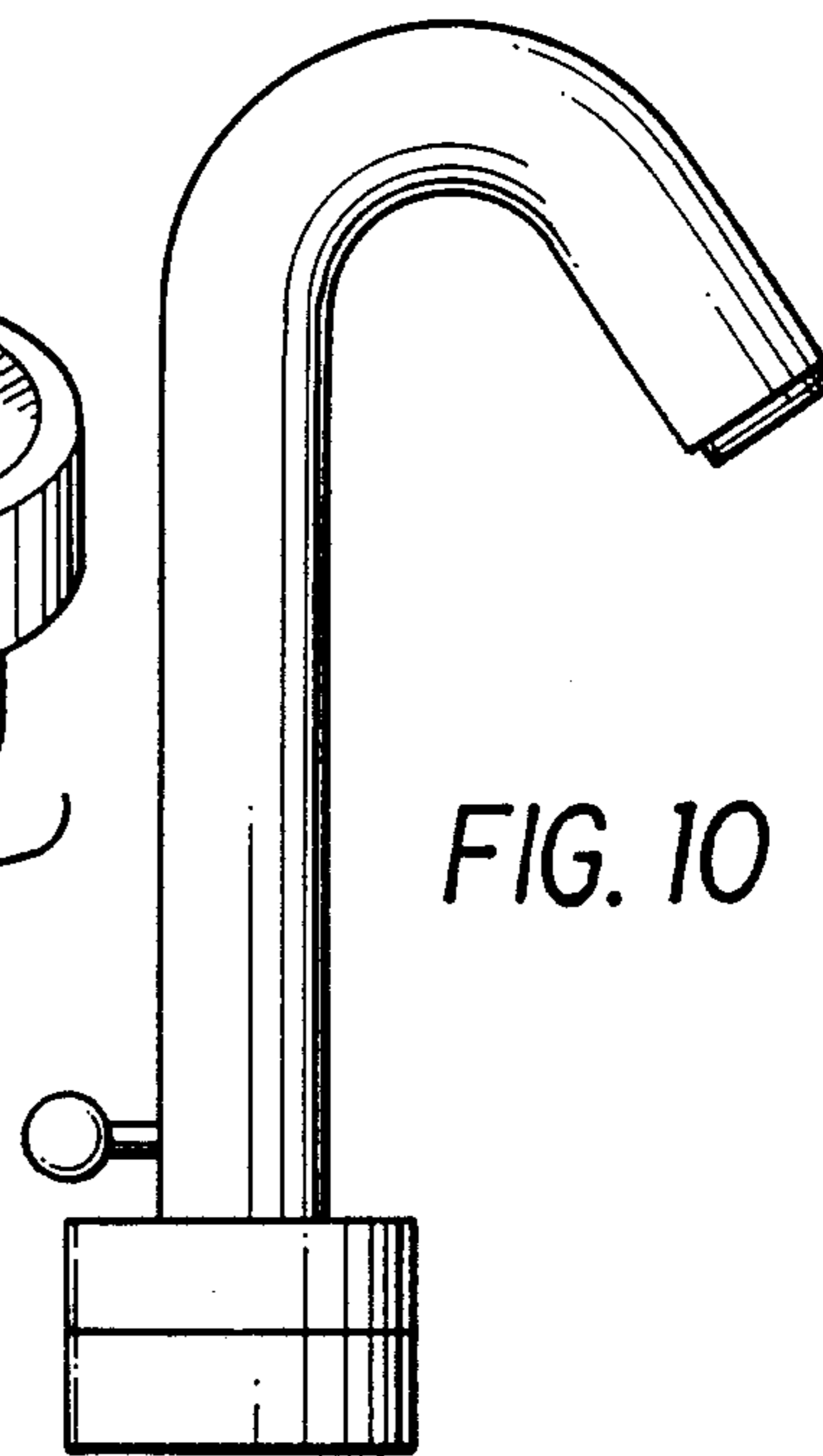


FIG. 10

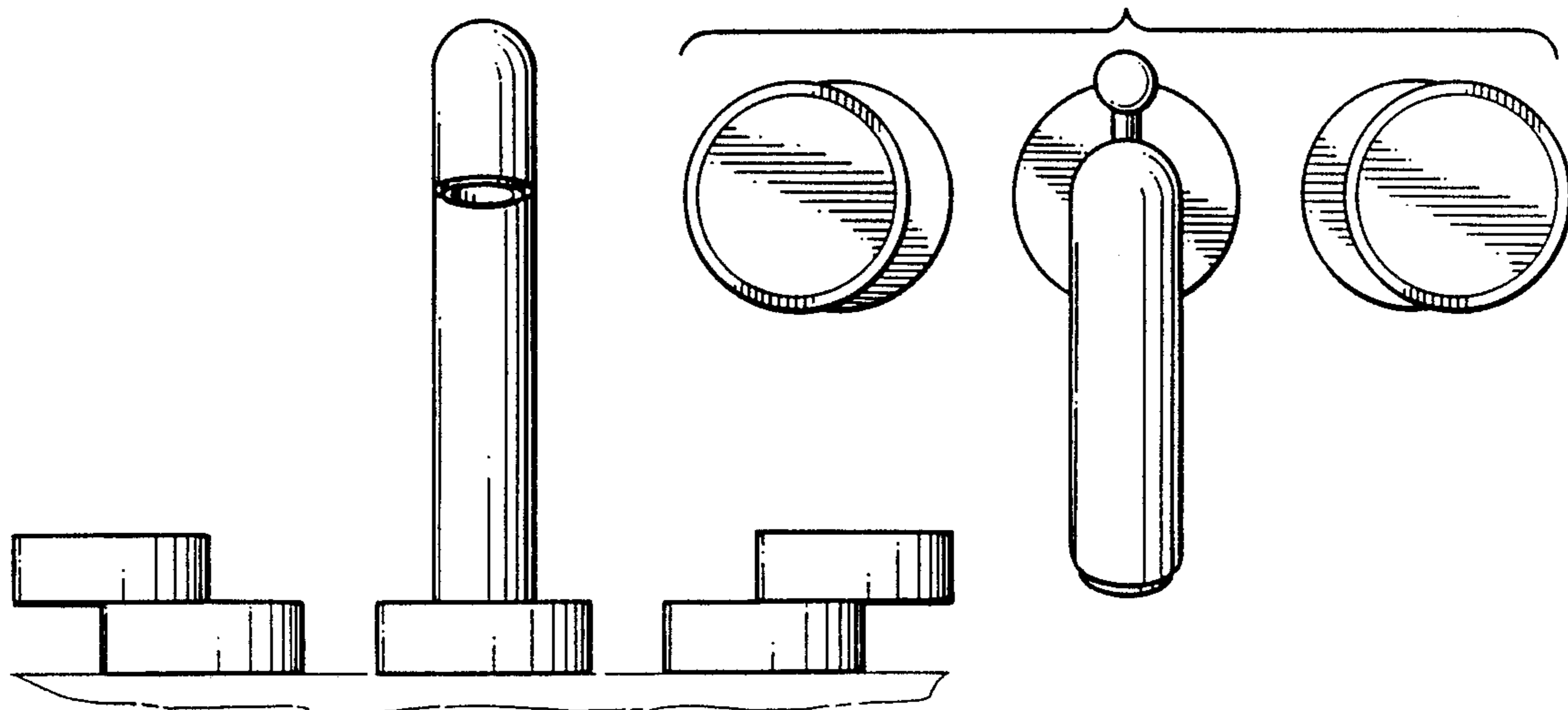


FIG. 11

FIG. 12