

[54] ACTION FIGURES TOY

[75] Inventor: Hiroshi Ukisu, Matsudo, Japan

[73] Assignee: Epoch Company, Ltd., Tokyo, Japan

[\*\*] Term: 14 Years

[21] Appl. No.: 51,606

[22] Filed: May 20, 1987

[52] U.S. Cl. .... D21/149; D21/150

[58] Field of Search ..... D21/149, 150; 446/334, 446/335; 273/85 E

[56] References Cited

U.S. PATENT DOCUMENTS

- 2,538,744 1/1951 Berry ..... 446/335
- 4,391,751 3/1982 Kurushima et al. .

Primary Examiner—Melvin B. Feifer  
Attorney, Agent, or Firm—Staas & Halsey

[57] CLAIM

The ornamental design for an action figures toy as shown and described.

DESCRIPTION

FIG. 1 is a front elevation of an action figures toy showing my new design;  
 FIG. 2 is a rear elevation thereof;  
 FIG. 3 is a left side view thereof;  
 FIG. 4 is a right side view thereof;  
 FIG. 5 is a top plan view thereof;  
 FIG. 6 is a bottom plan view thereof;  
 FIG. 7 is a front elevation with the head of the right side figure in an open position;  
 FIG. 8 is a left side view of FIG. 7; and  
 FIG. 9 is a perspective view of FIG. 1.

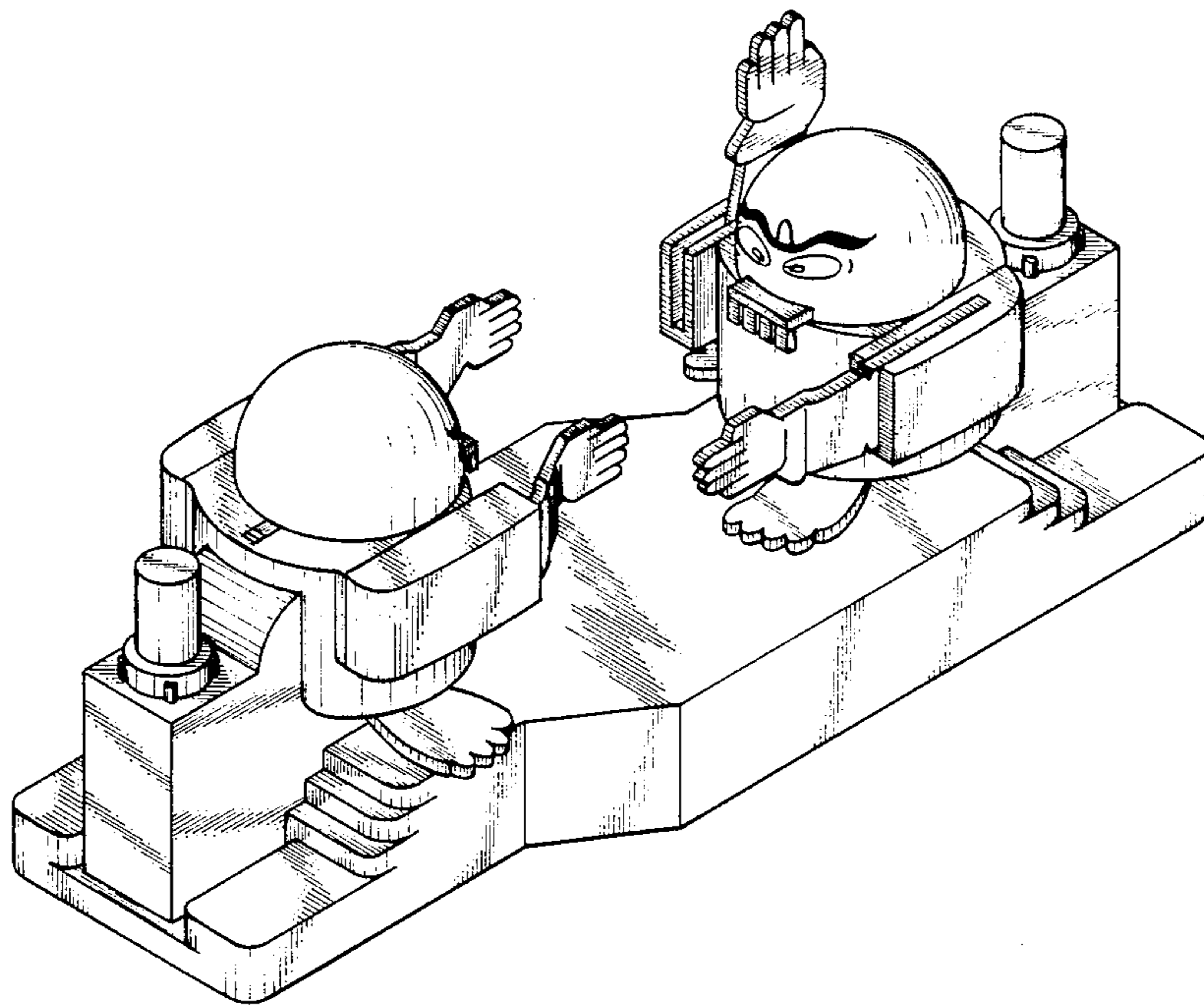


FIG. 1

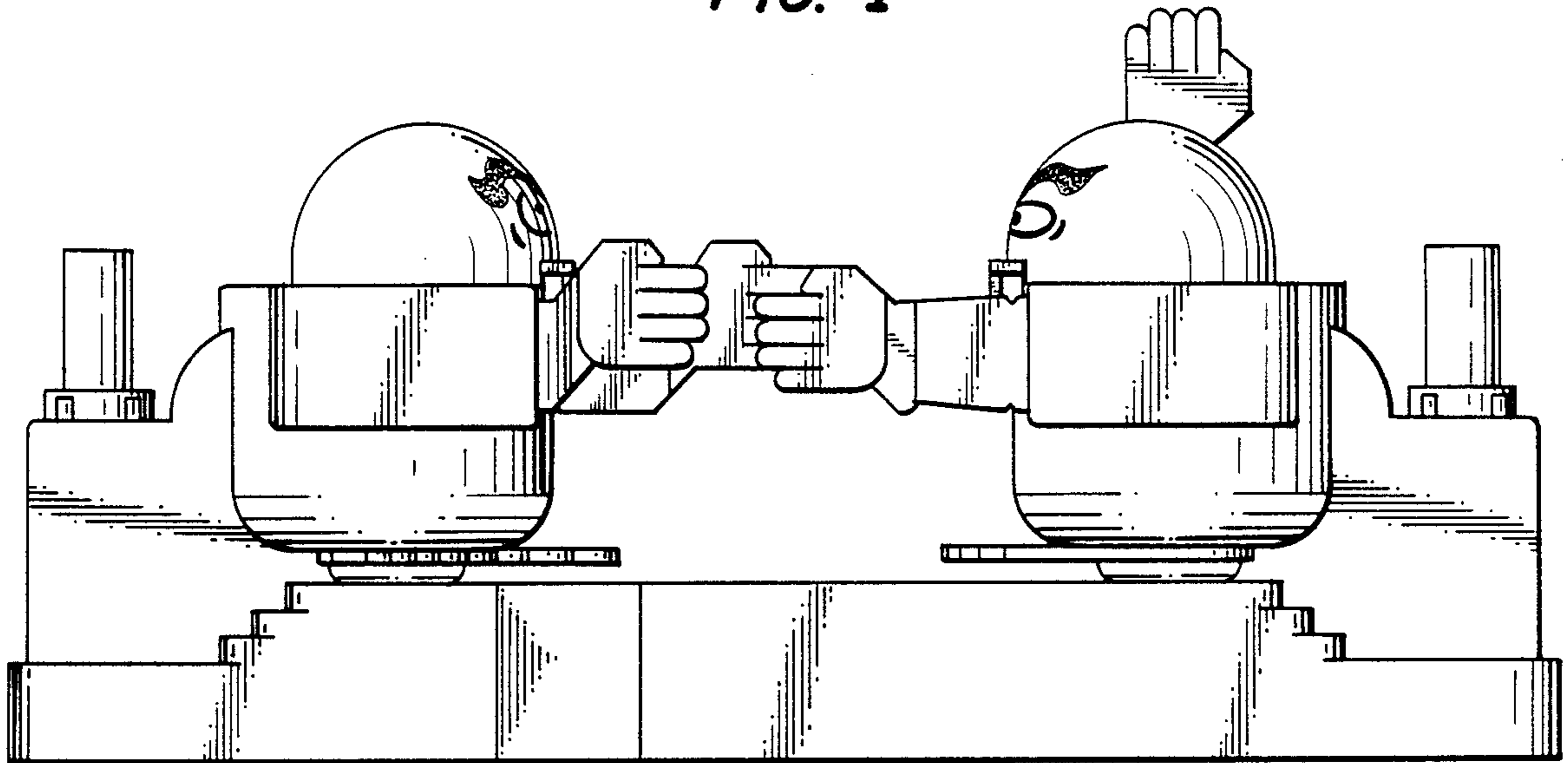
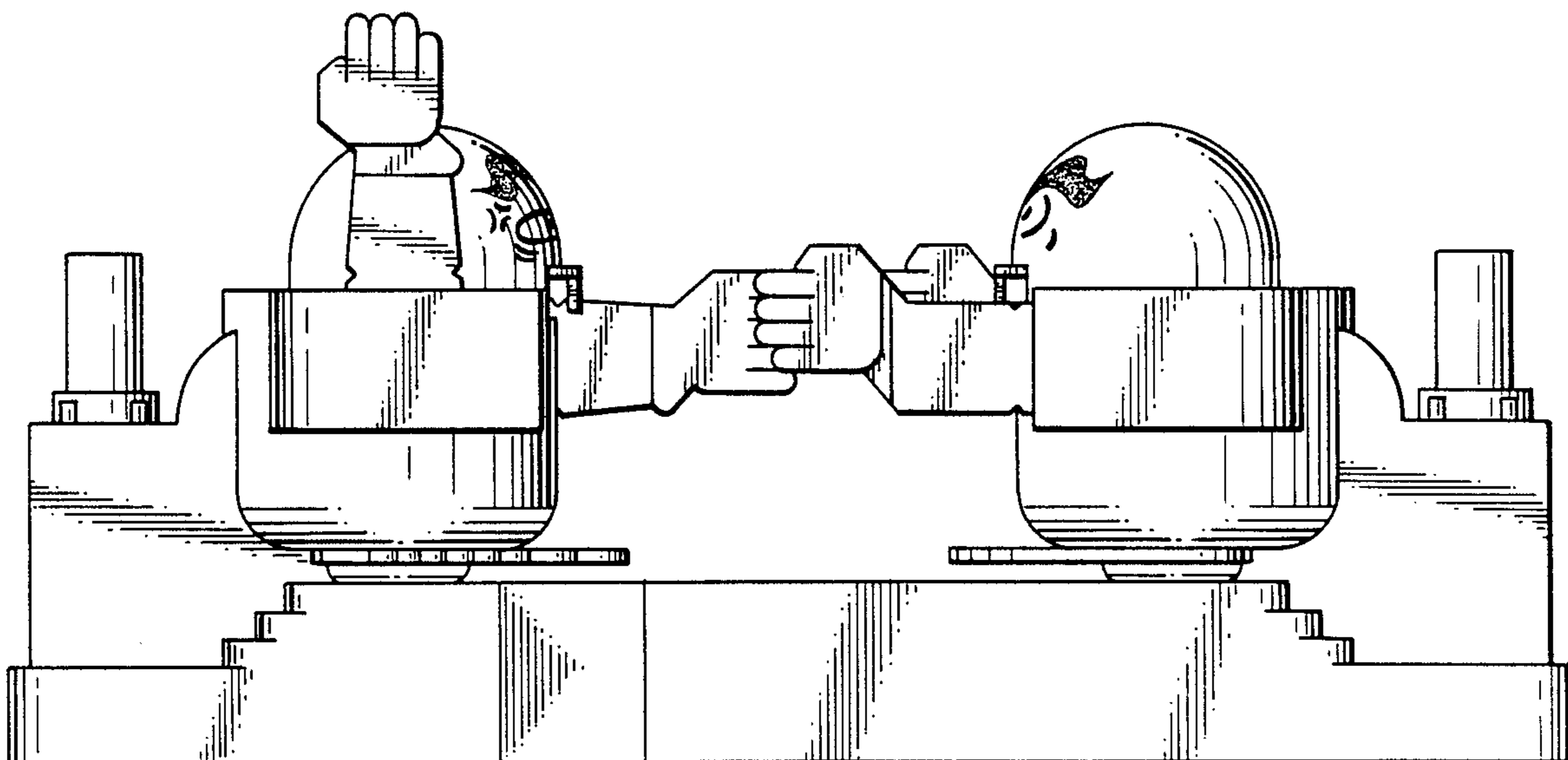
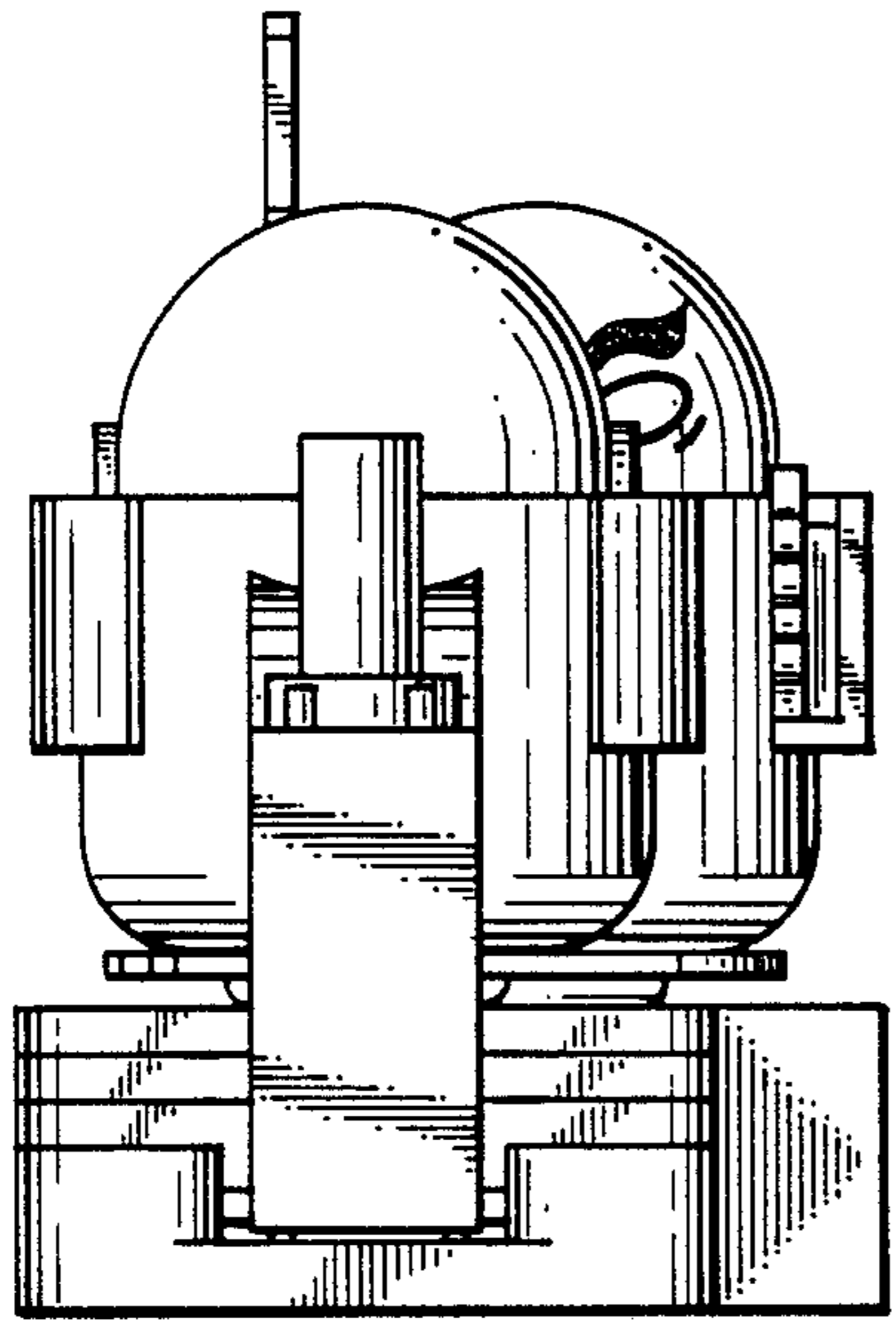


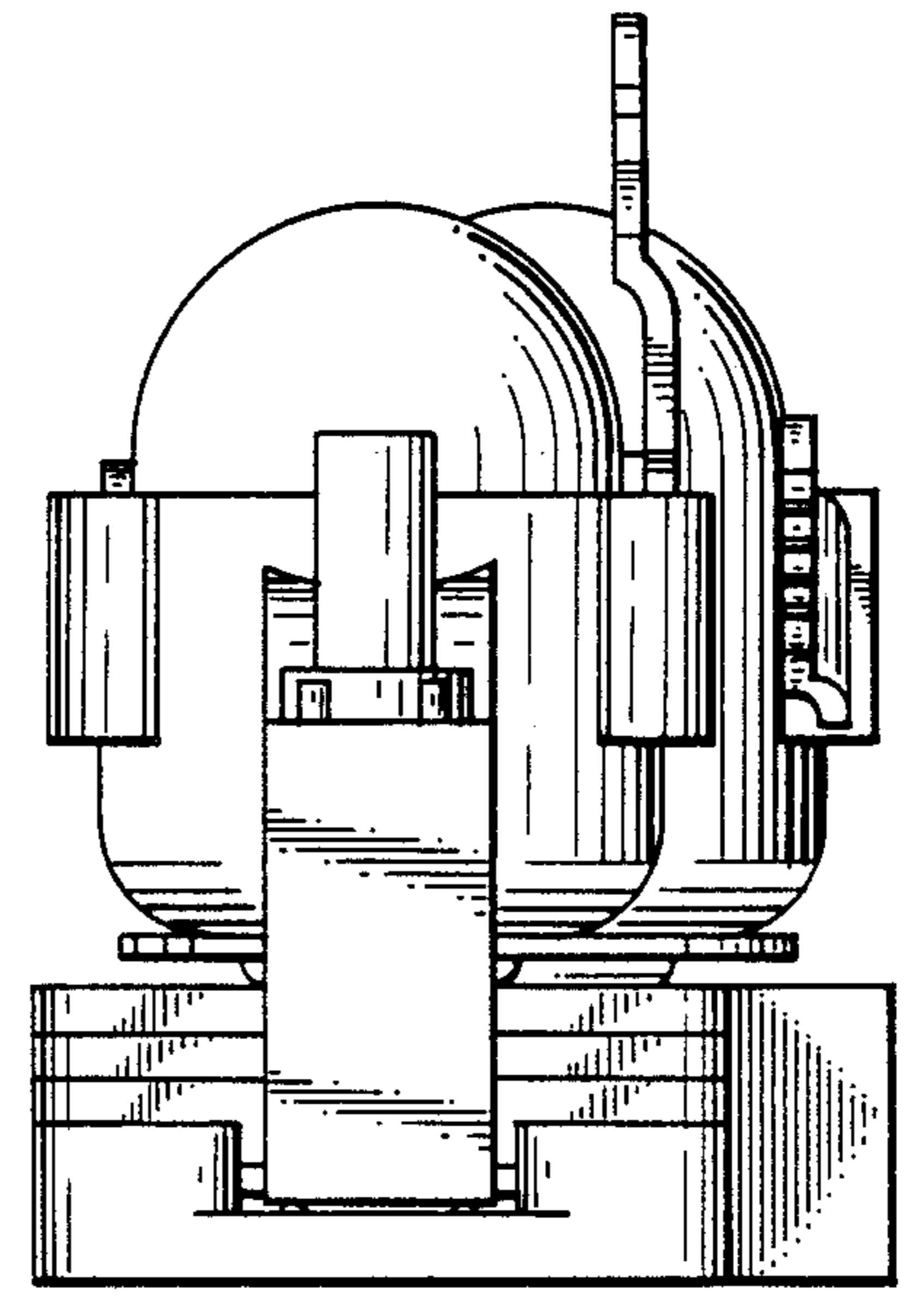
FIG. 2



*FIG. 3*



*FIG. 4*



*FIG. 5*

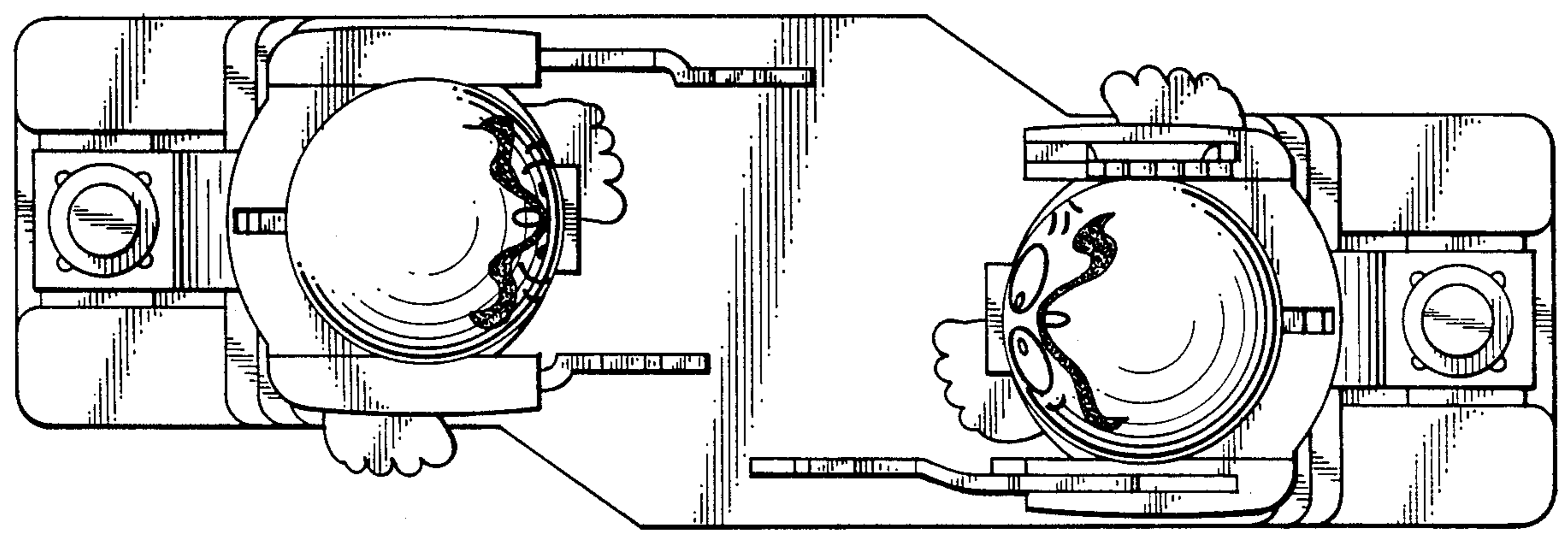


FIG. 6

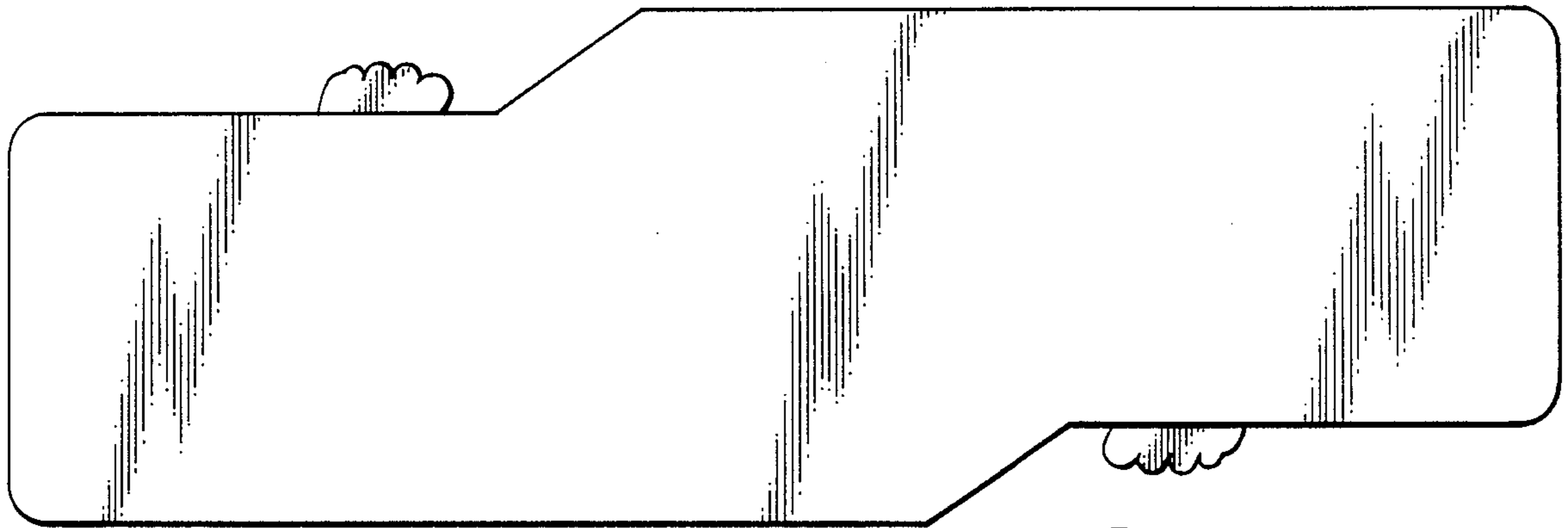


FIG. 7

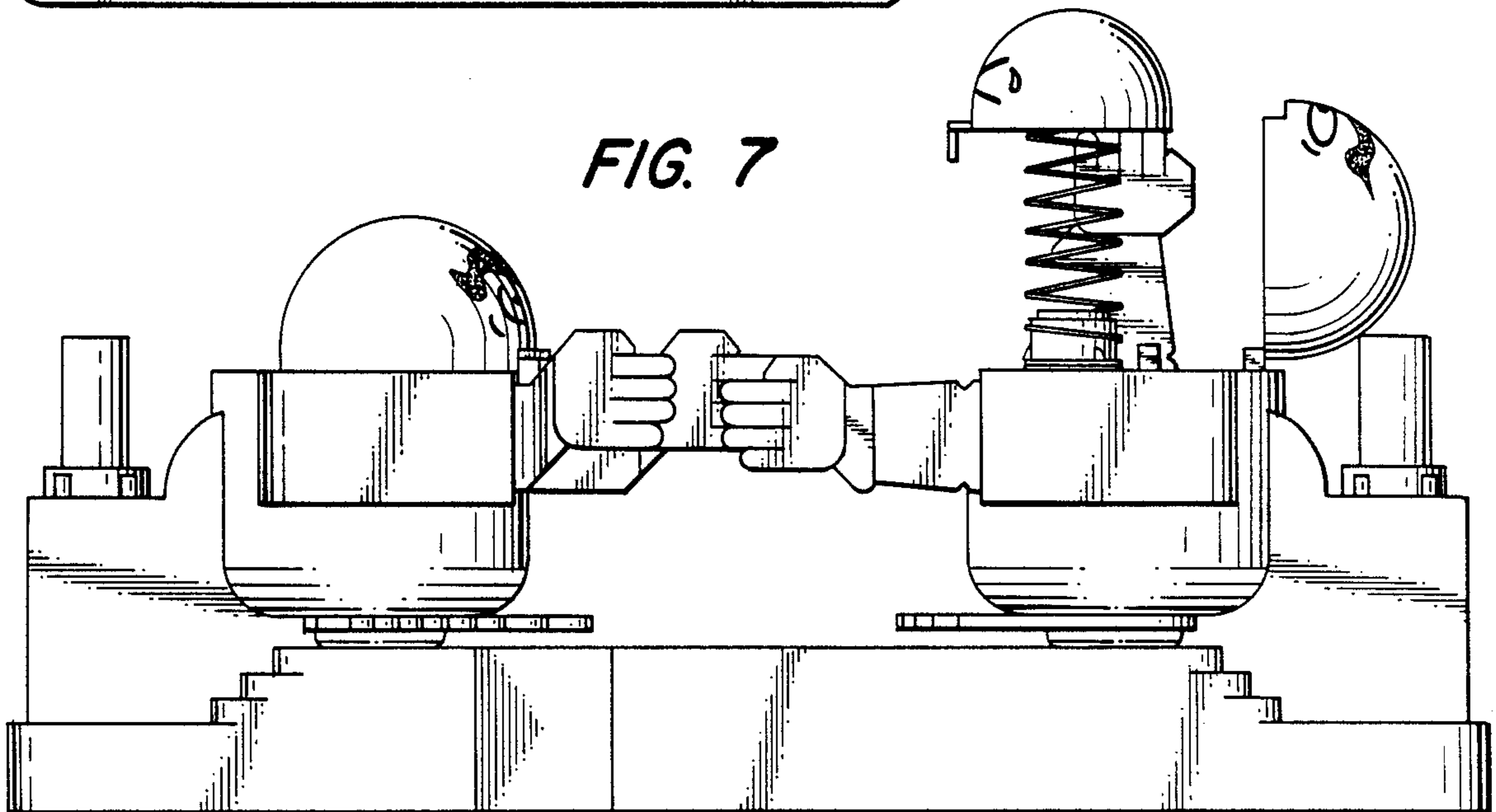
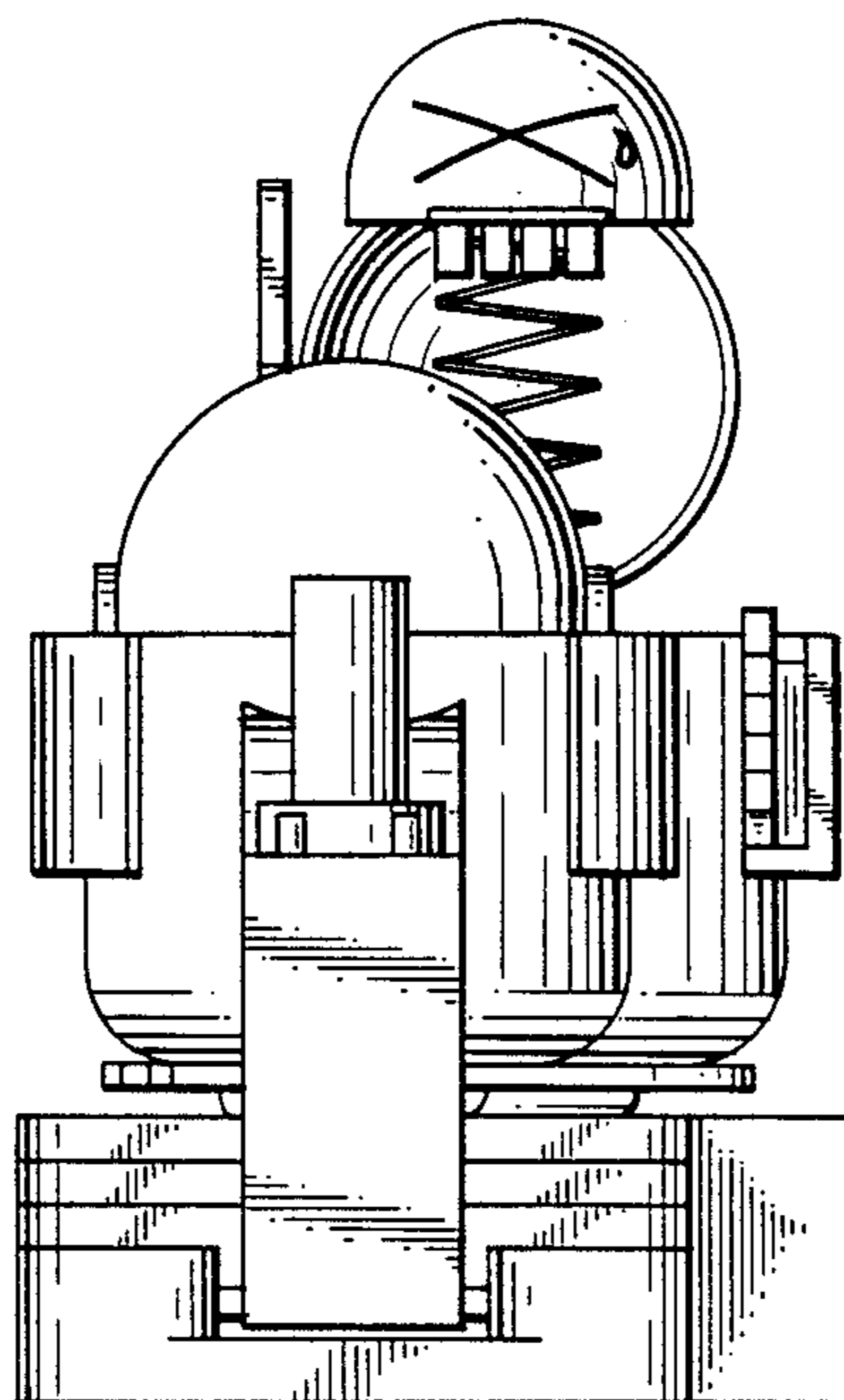


FIG. 8



*FIG. 9*

