

United States Patent [19]

Bromso

[11] Patent Number: **Des. 312,489**

[45] Date of Patent: **** Nov. 27, 1990**

[54] **TOY CRANE ELEMENT**

[75] Inventor: **Per Bromso, Copenhagen, Denmark**

[73] Assignee: **Interlego A.G., Baar, Switzerland**

[**] Term: **14 Years**

[21] Appl. No.: **277,904**

[22] Filed: **Nov. 29, 1988**

[52] U.S. Cl. **D21/141; D21/139; D21/108**

[58] Field of Search **D21/59, 108, 124, 134, D21/137, 139, 141; 446/85, 88, 93, 103, 108, 124**

[56] **References Cited**

U.S. PATENT DOCUMENTS

D. 182,120	2/1958	Huebner et al.	D21/134
D. 211,808	1/1968	Genin	D21/137
D. 254,152	2/1980	Marden	D21/134
D. 257,368	10/1980	Breneman	D21/139
D. 272,929	3/1984	Hilko	D21/139

D. 280,431	9/1985	Tapdrup et al.	D21/108
D. 284,682	7/1986	Dorelli	D21/139
D. 293,342	12/1987	Thomson et al.	D21/139

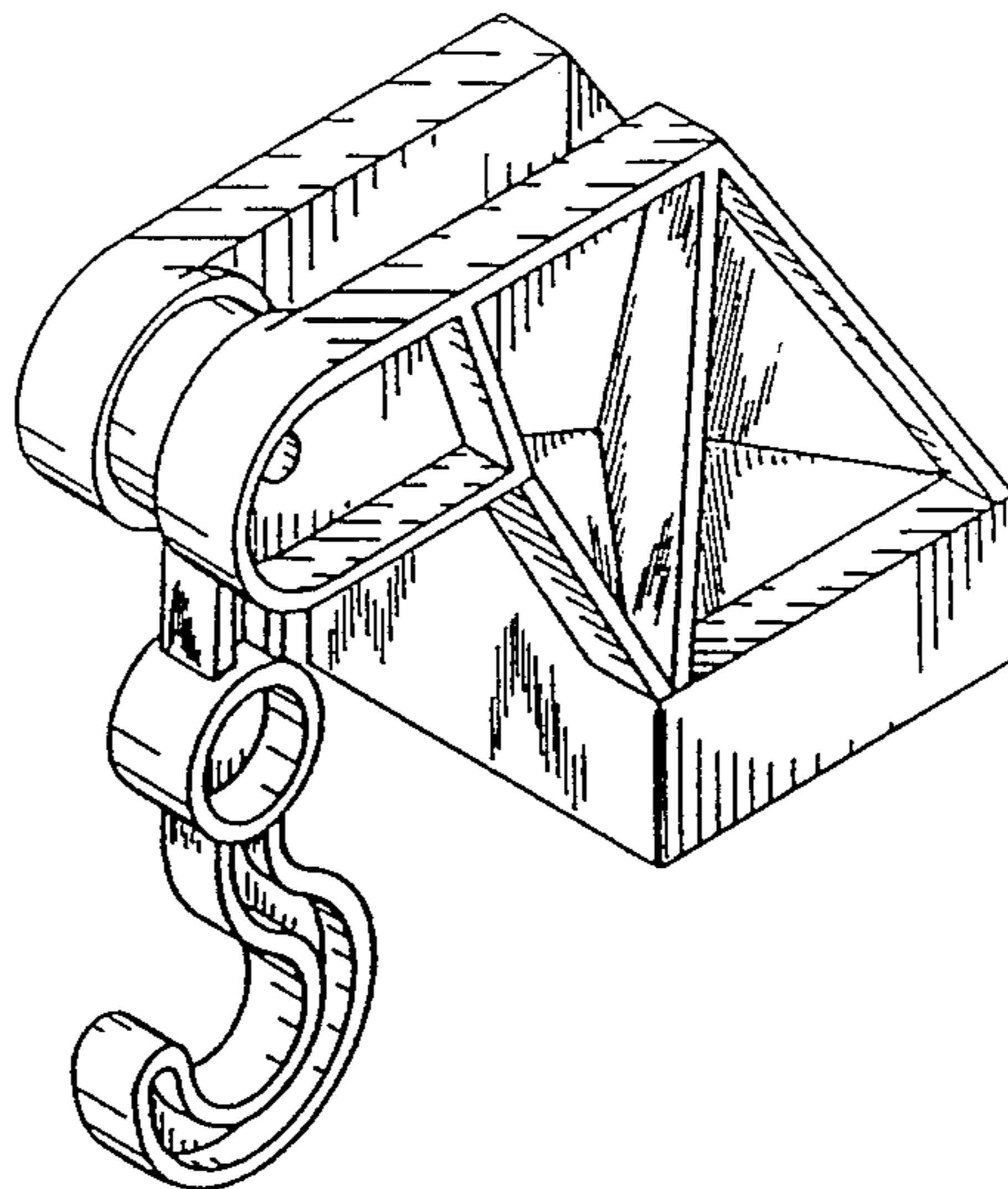
Primary Examiner—Charles A. Rademaker
Assistant Examiner—Alicia A. Farrell
Attorney, Agent, or Firm—Kane, Dalsimer, Sullivan, Kurucz, Levy, Eisele and Richard

[57] **CLAIM**

The ornamental design for a toy crane element, as shown and described.

DESCRIPTION

FIG. 1 is a top perspective view of a toy crane element, showing my new design;
FIG. 2 is a bottom perspective view thereof;
FIG. 3 is a front elevational view thereof;
FIG. 4 is a rear elevational view thereof;
FIG. 5 is a top plan view thereof;
FIG. 6 is a bottom plan view thereof; and
FIG. 7 is a side elevational view thereof, the opposite side being a mirror image.



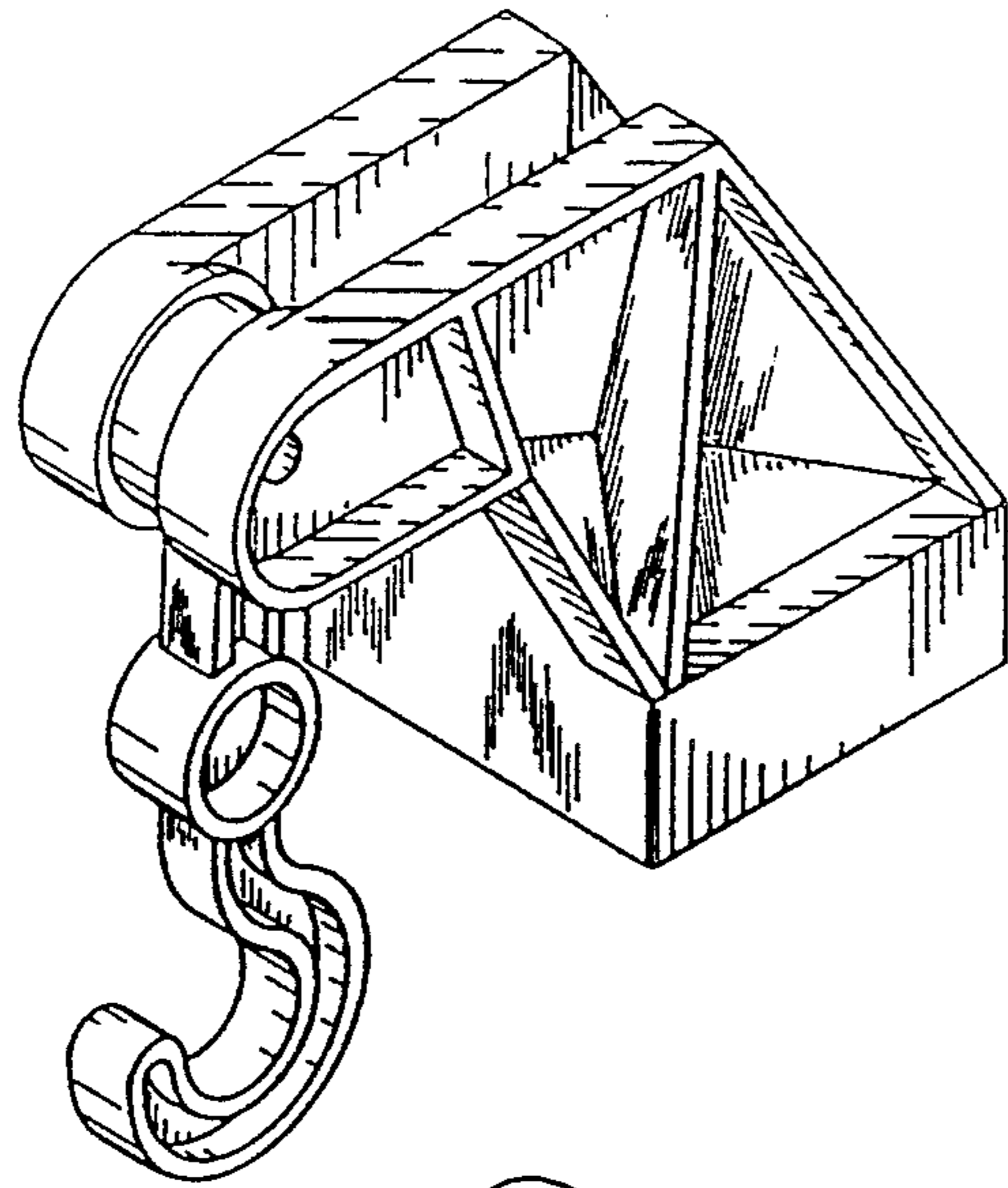


FIG.1

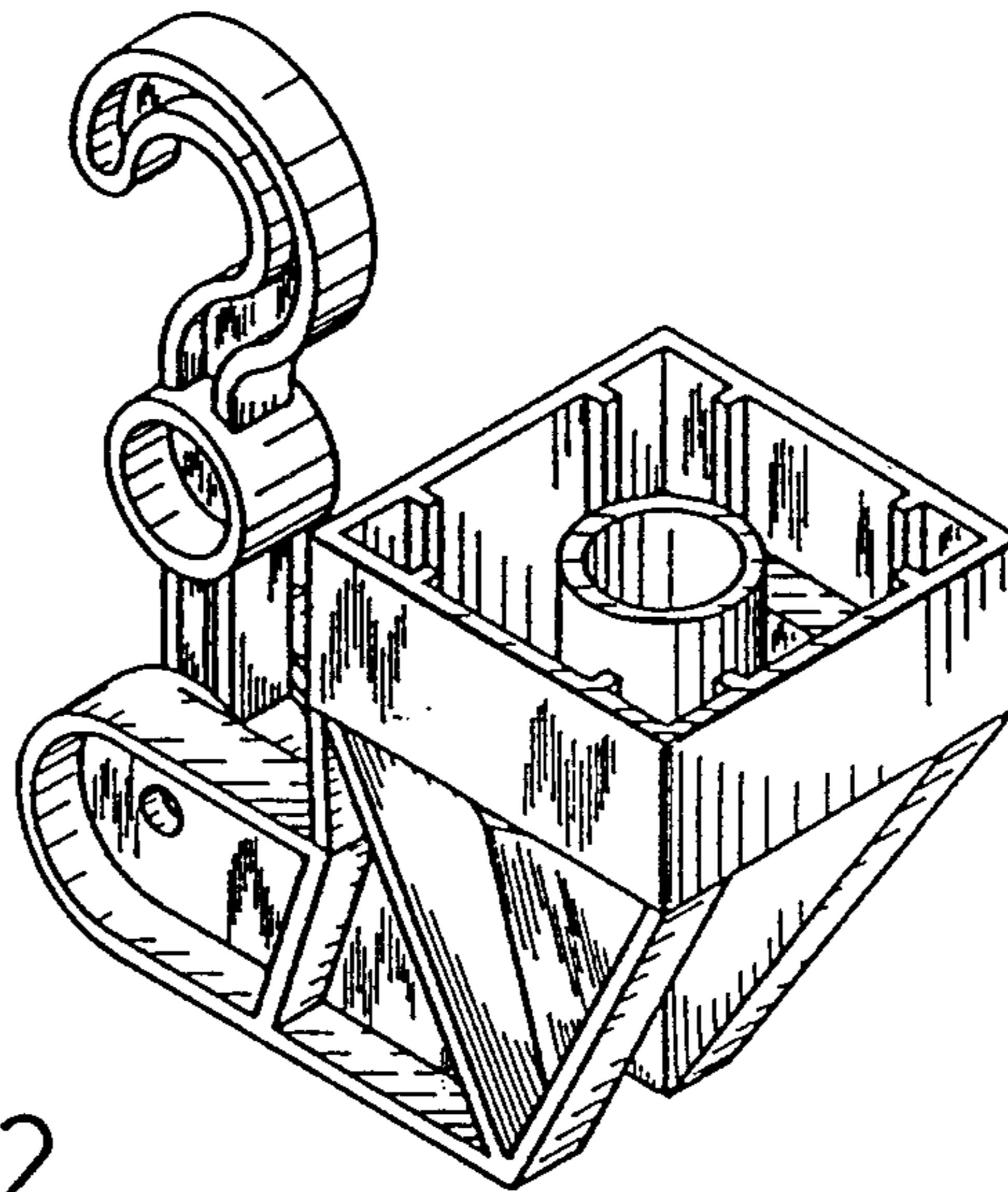


FIG.2

FIG.7

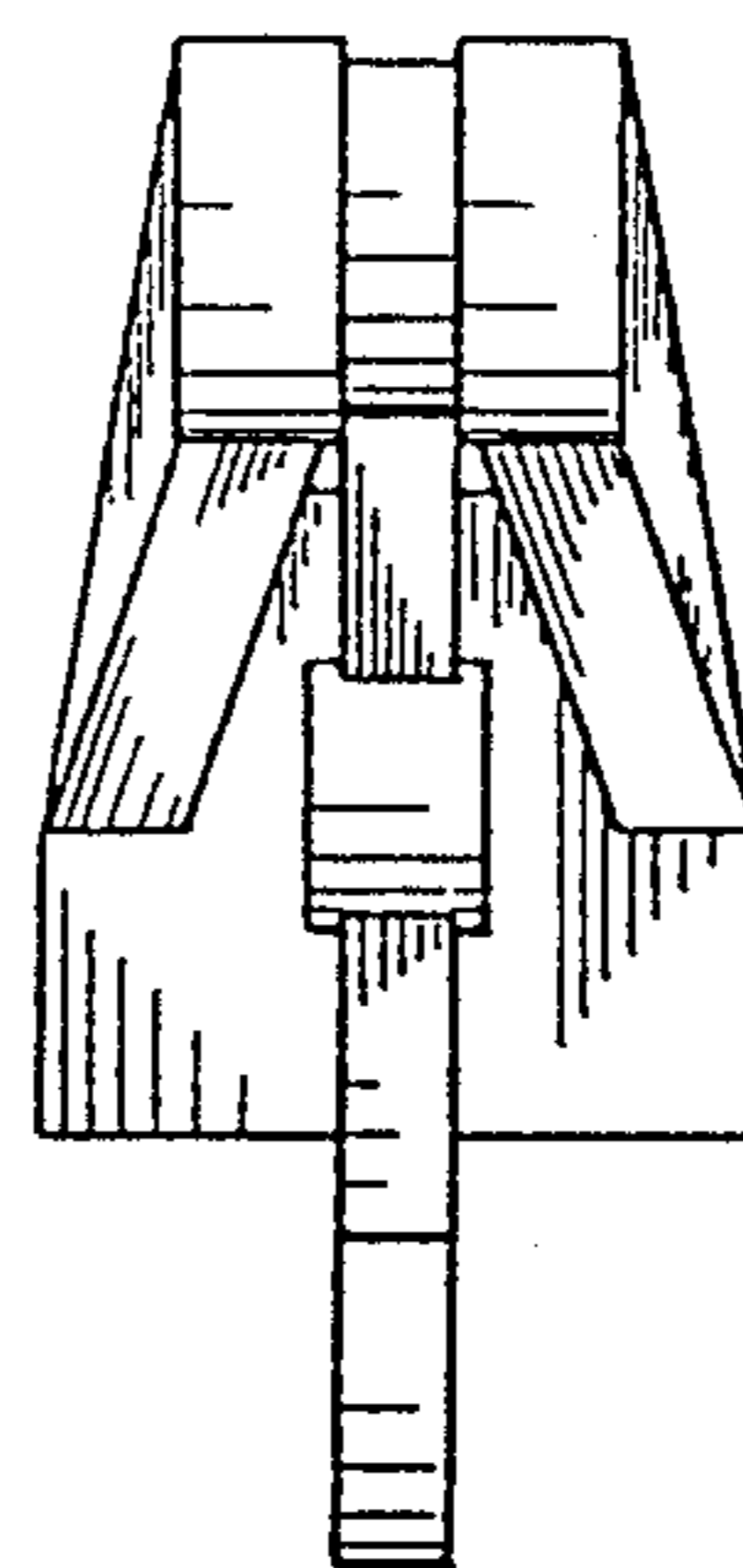
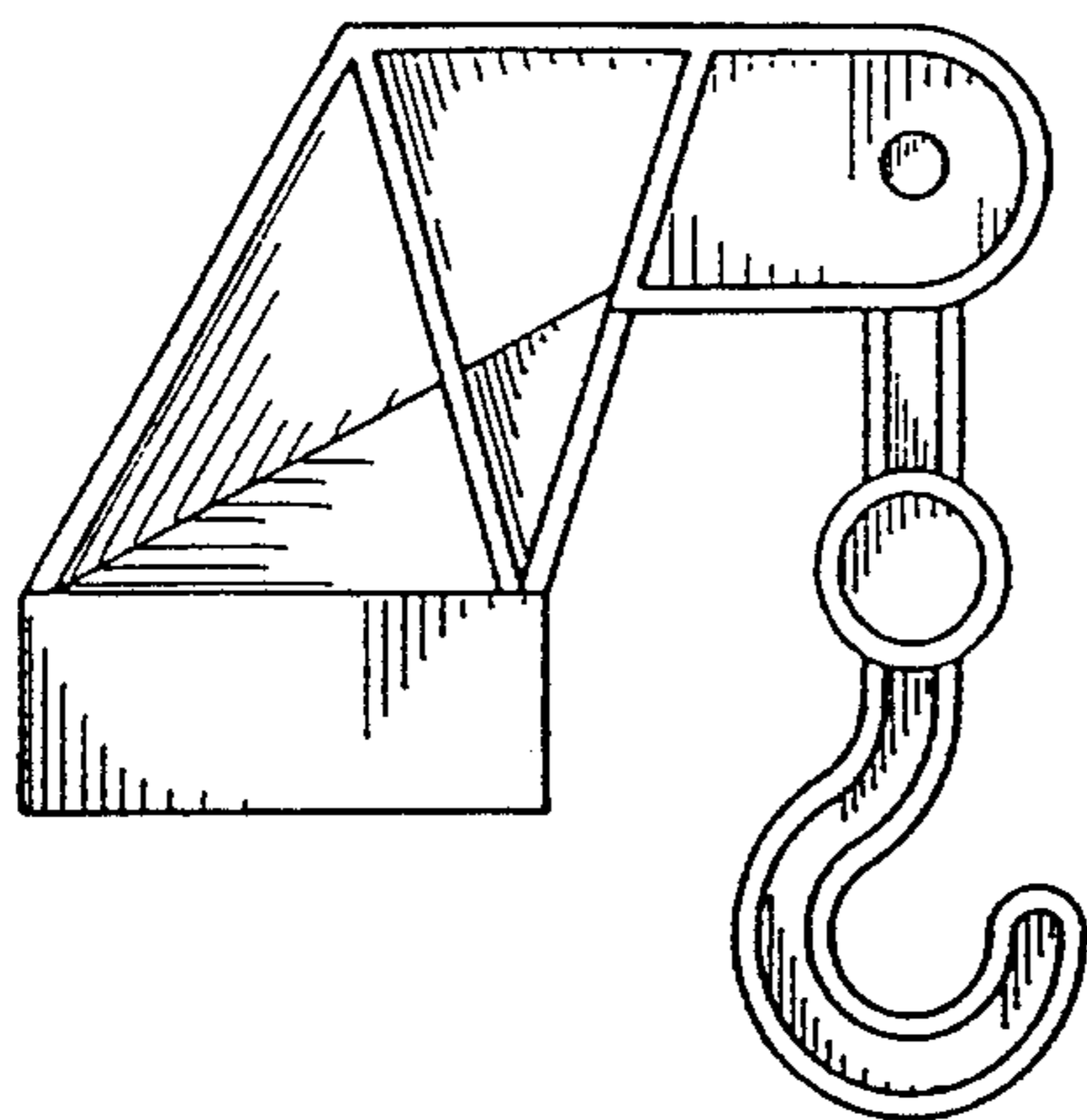


FIG.3

FIG.5

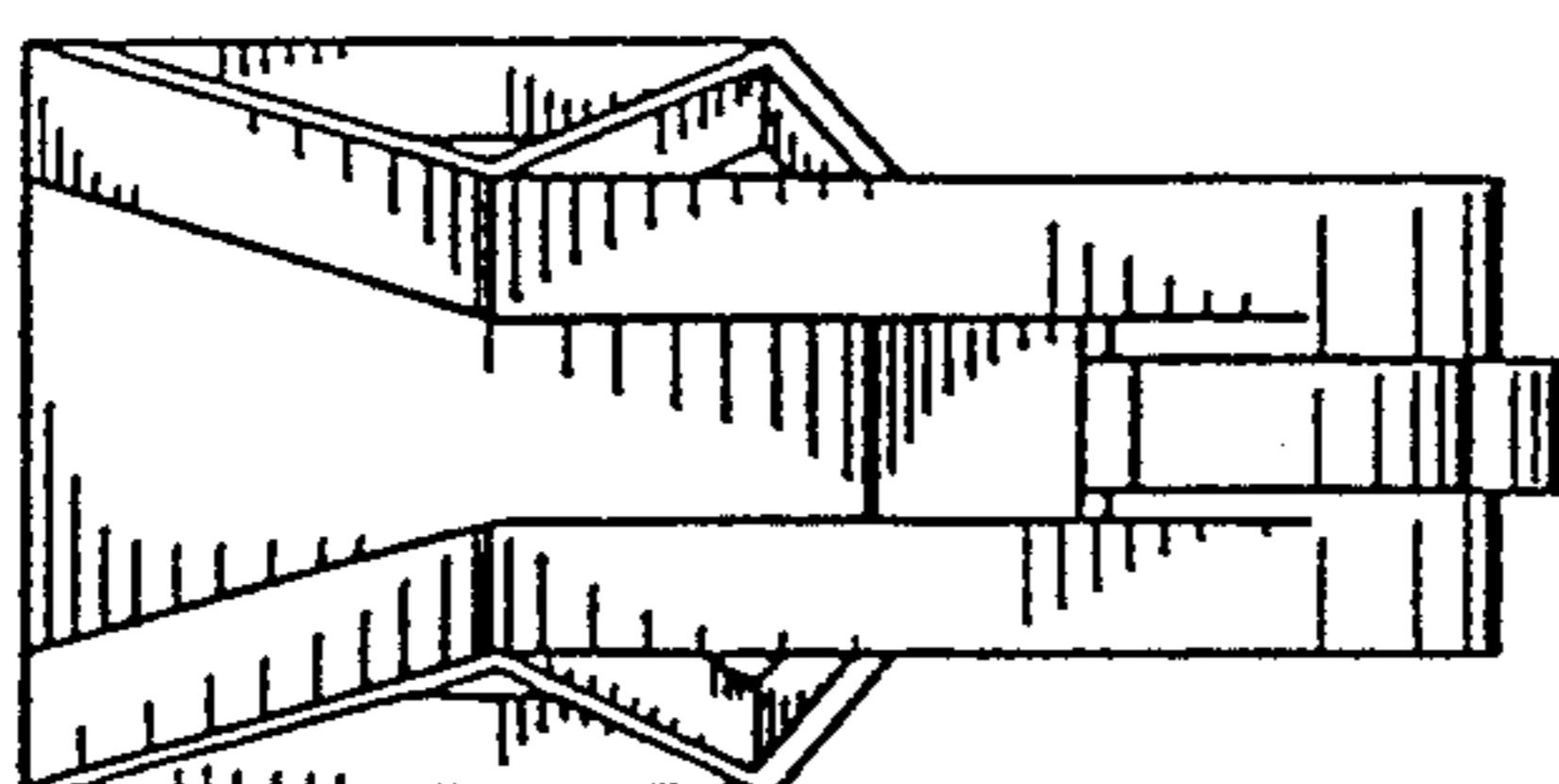


FIG.6

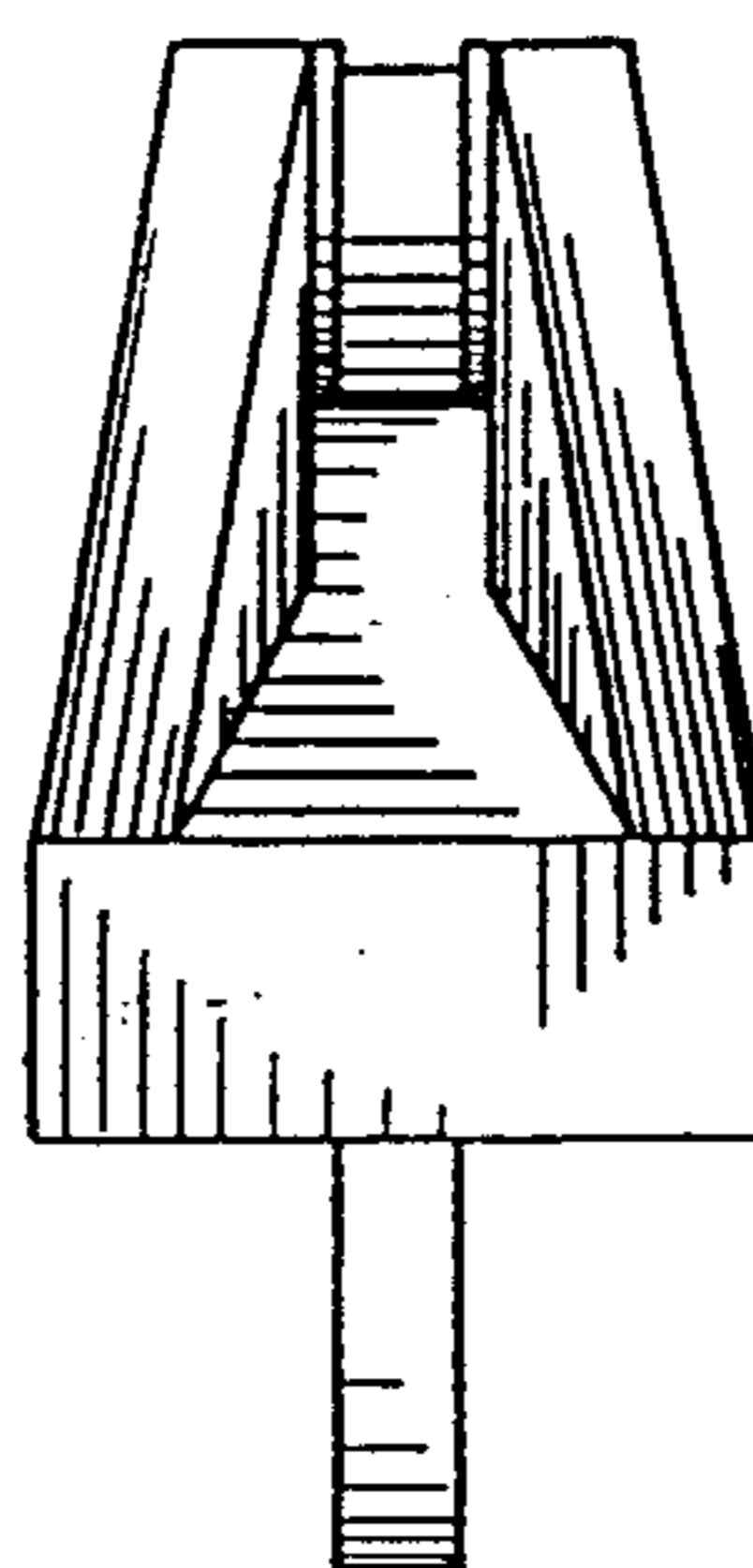
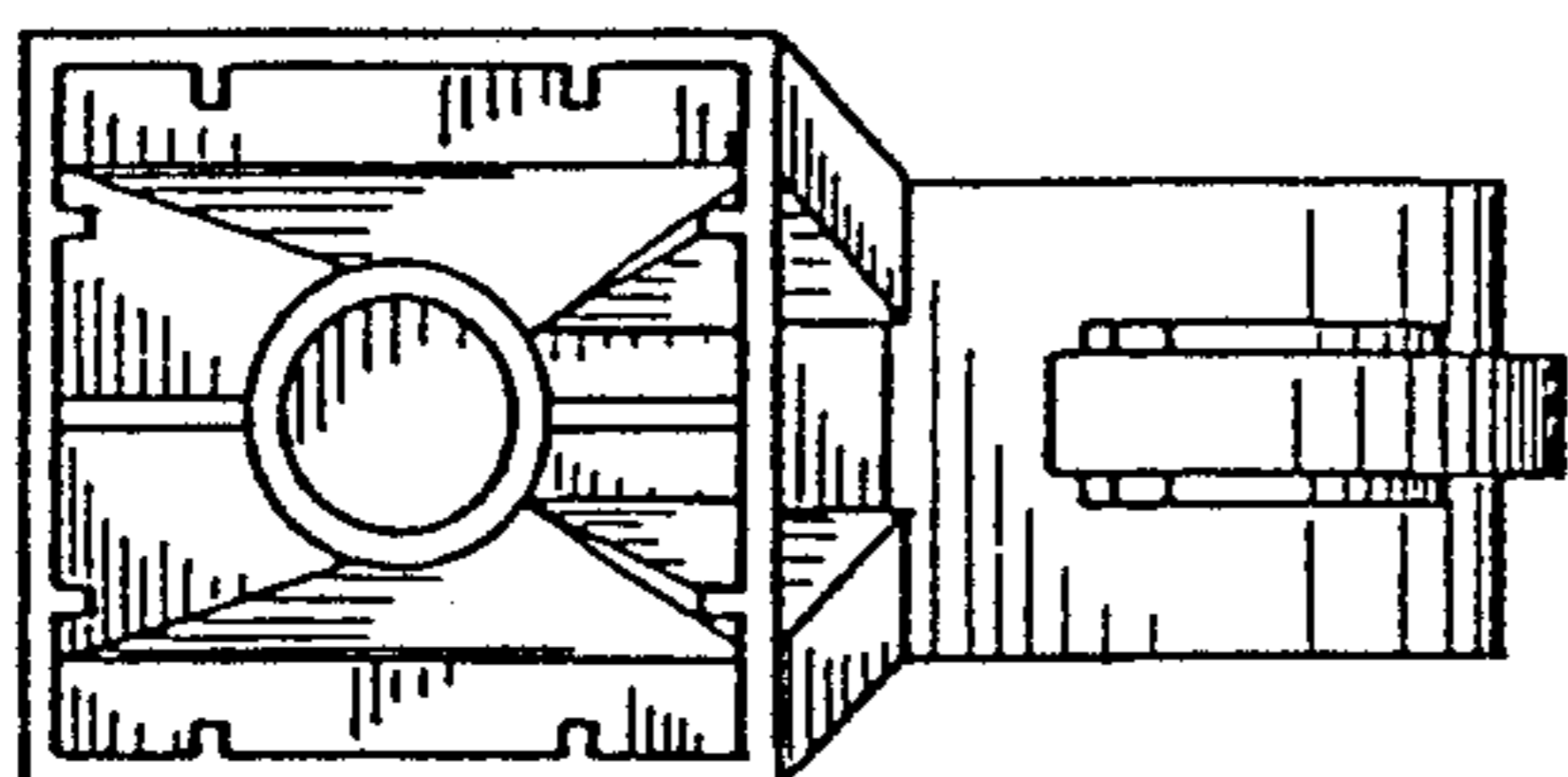


FIG.4