

[54] **TOY BUILDING ELEMENT**

4,758,195 7/1988 Walsh ..... 446/85

[75] **Inventor: Edel S. Andersen, Randbol, Denmark**

*Primary Examiner*—Charles A. Rademaker

[73] **Assignee: Interlego A.G., Baar, Switzerland**

*Assistant Examiner*—Alicia A. Farrell

[\*\*] **Term: 14 Years**

*Attorney, Agent, or Firm*—Kane, Dalsimer, Sullivan,  
Kurucz, Levy, Eisele and Richard

[21] **Appl. No.: 349,351**

[57] **CLAIM**

[22] **Filed: May 9, 1989**

The ornamental design for toy building element, as shown and described.

[52] **U.S. Cl. .... D21/108**

[58] **Field of Search ..... D21/59, 108, 114, 117,  
D21/118, 119; 446/108, 115, 118, 124, 126**

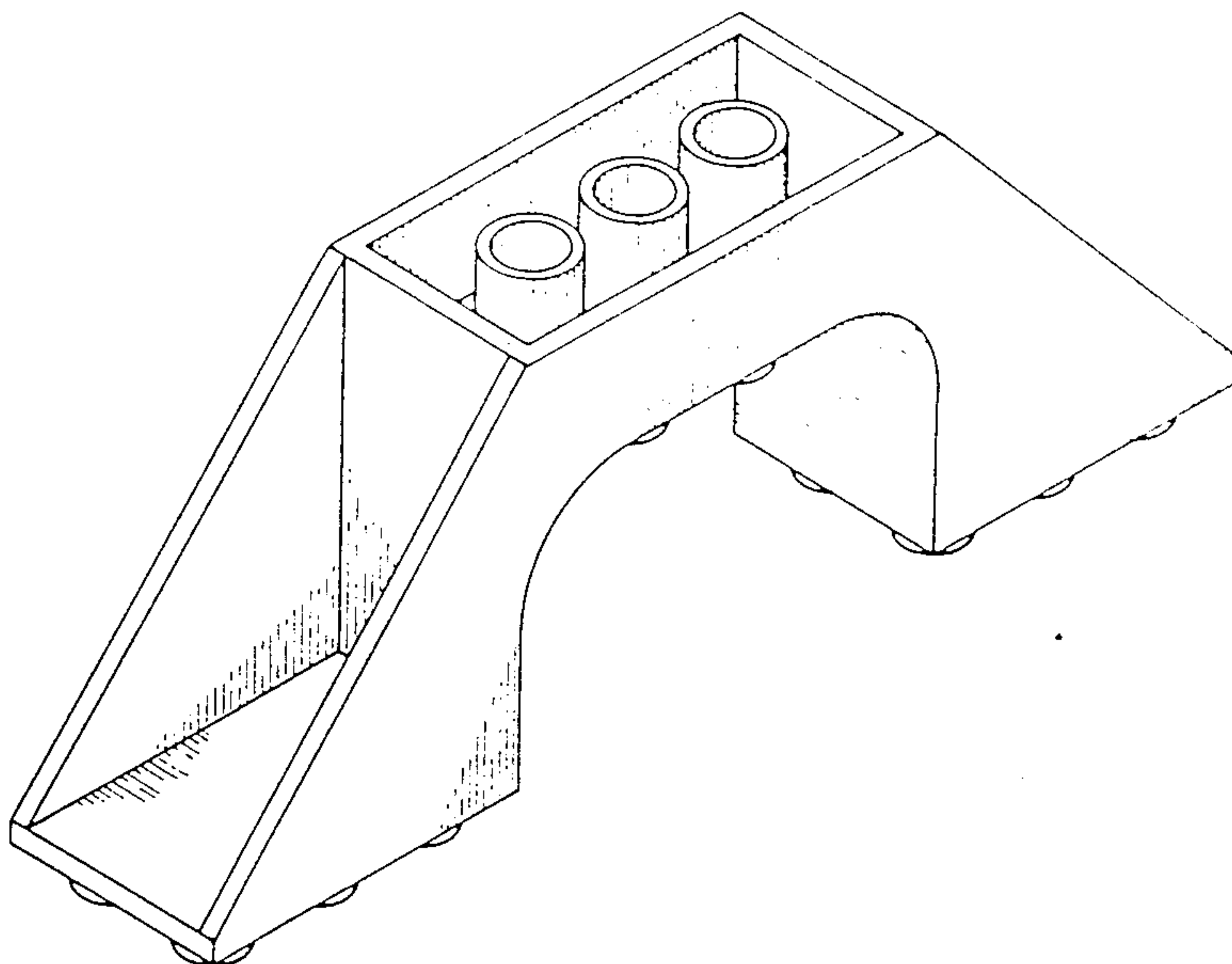
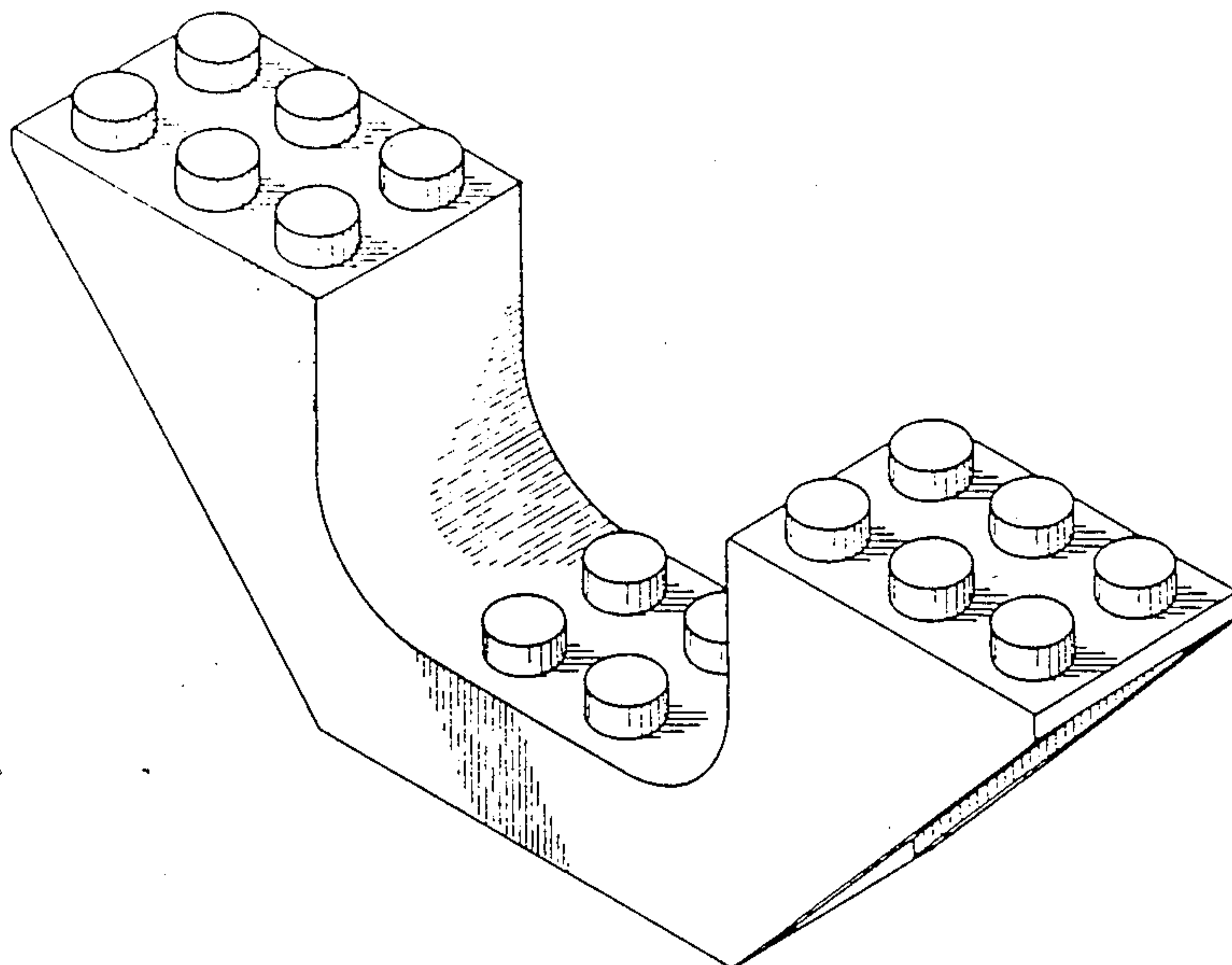
**DESCRIPTION**

[56] **References Cited**

**U.S. PATENT DOCUMENTS**

249,448	11/1881	Barnes	.....	D21/117
D. 285,707	9/1986	Dideriksen	.....	D21/108
D. 290,476	6/1987	Ryaa et al.	.....	D21/108
1,568,252	1/1926	Strub	.....	446/85
3,188,693	6/1965	Troyano	.....	D21/108

FIG. 1 is a top perspective view of a toy building element showing my new design,  
FIG. 2 is a bottom perspective view thereof;  
FIG. 3 is a top plan view thereof;  
FIG. 4 is a bottom plan view thereof;  
FIG. 5 is a front elevational view thereof, the rear elevational view being identical; and,  
FIG. 6 is a side elevational view thereof; the side opposite being identical.



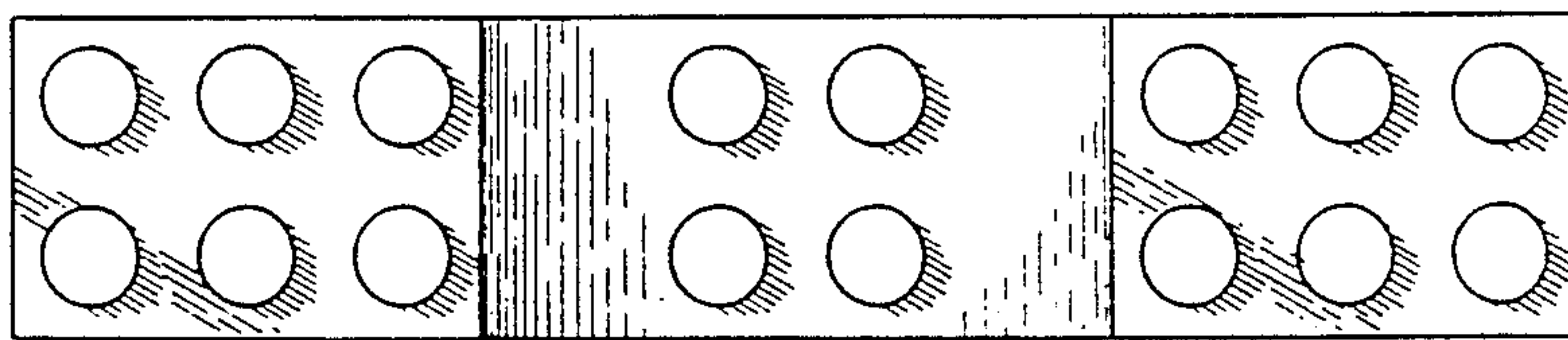
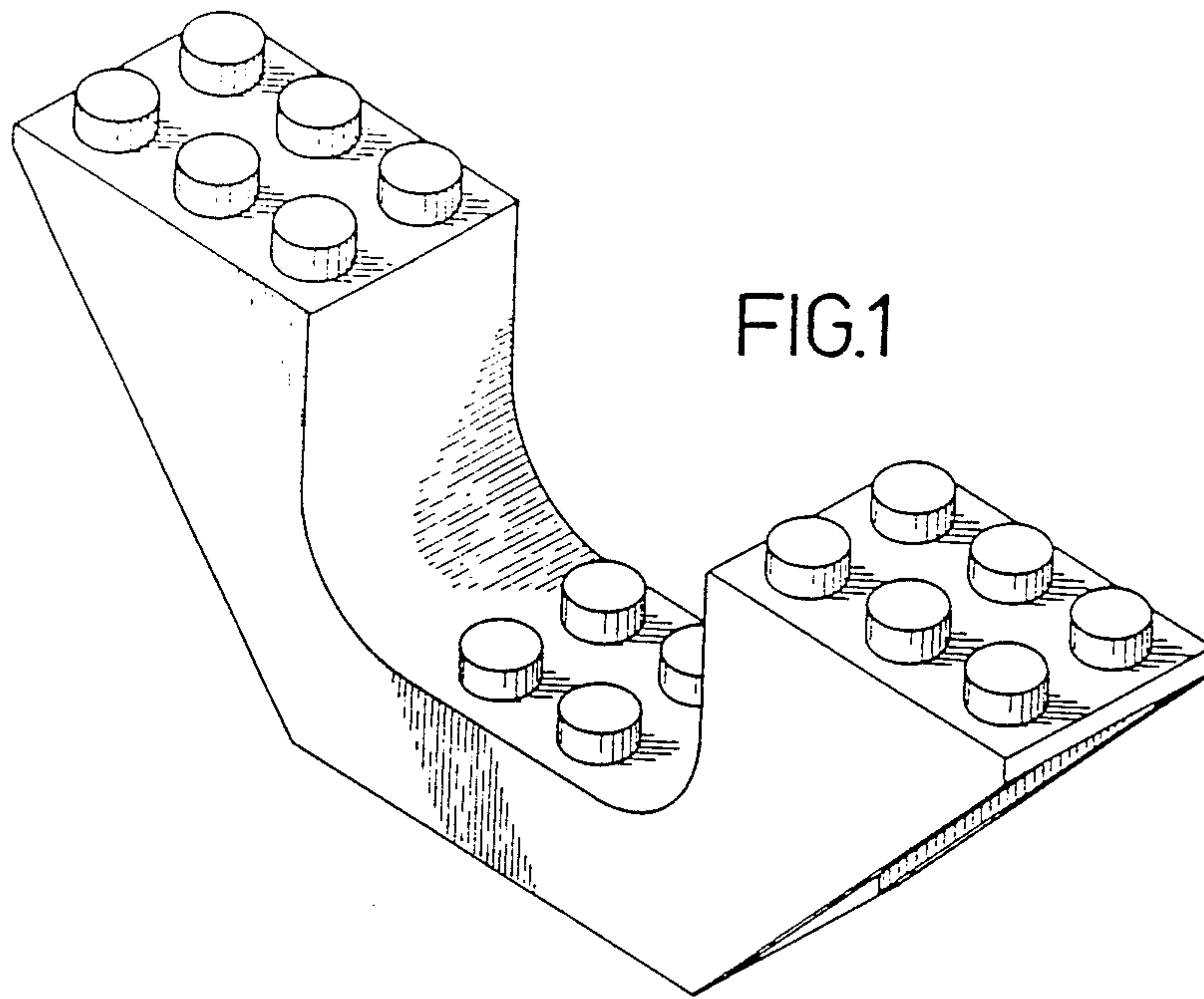


FIG. 3

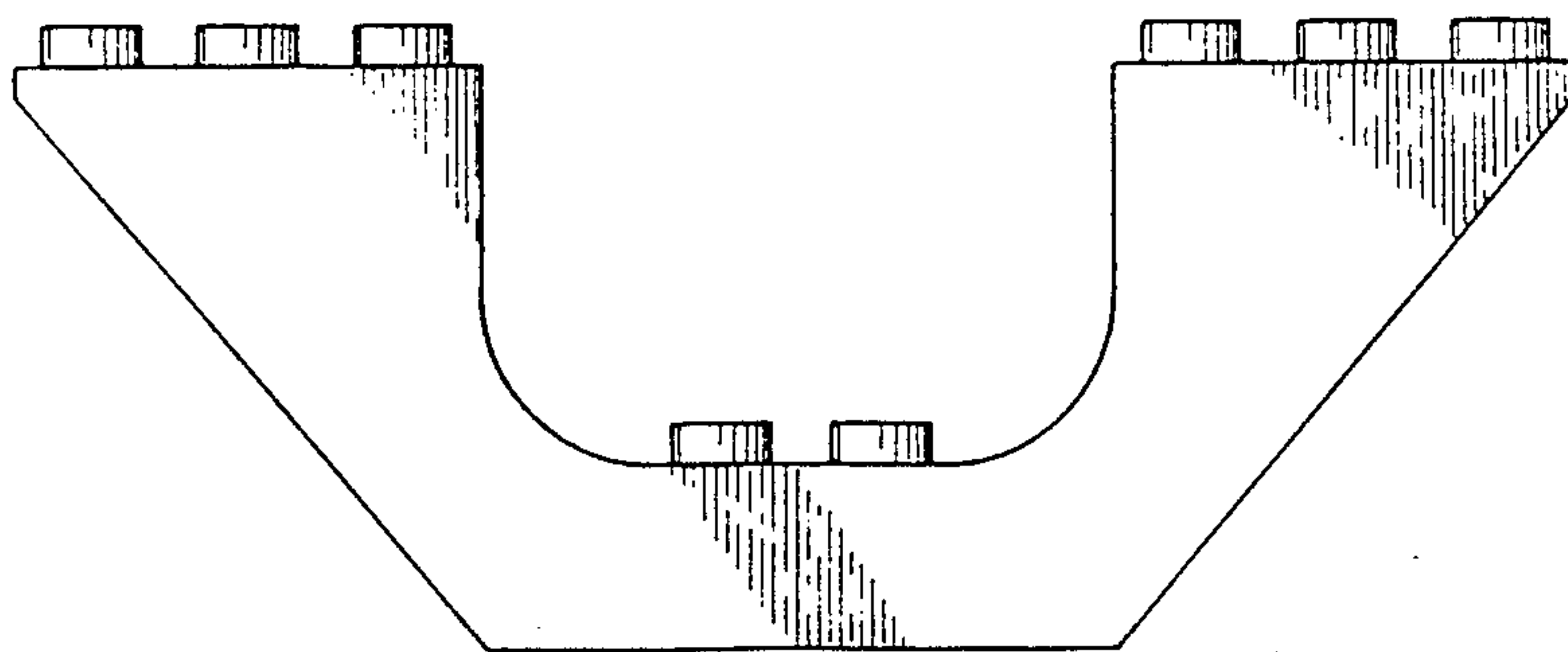


FIG. 5

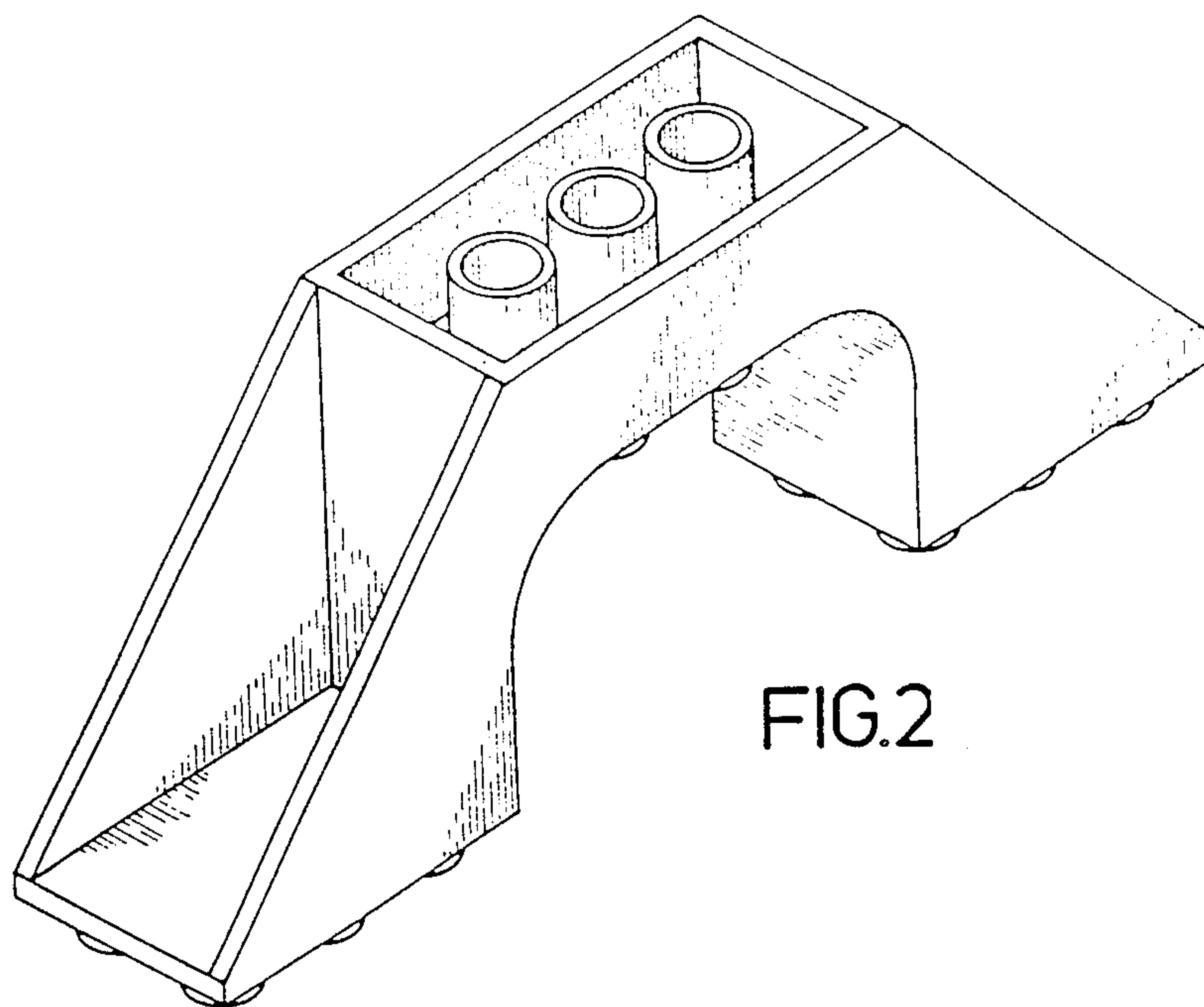


FIG. 2

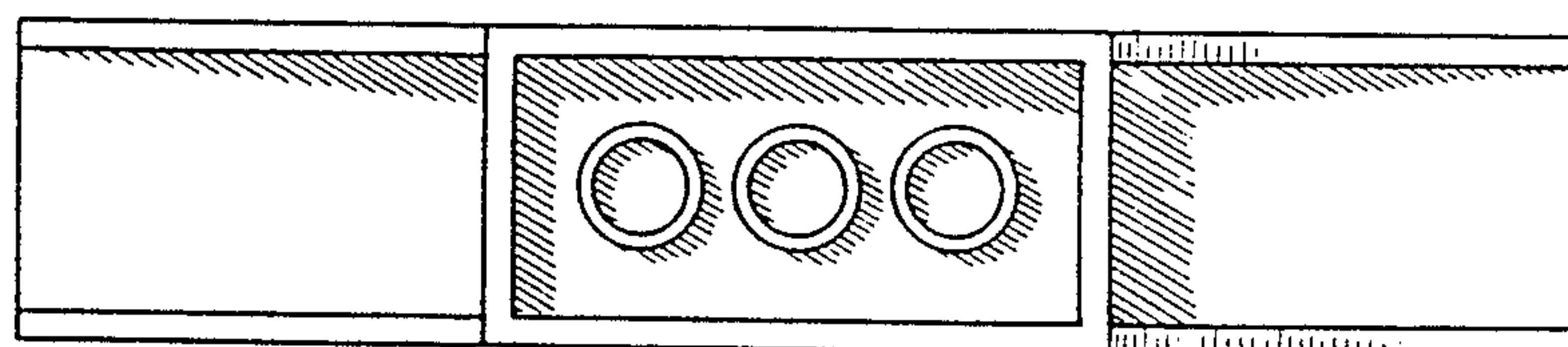


FIG. 4

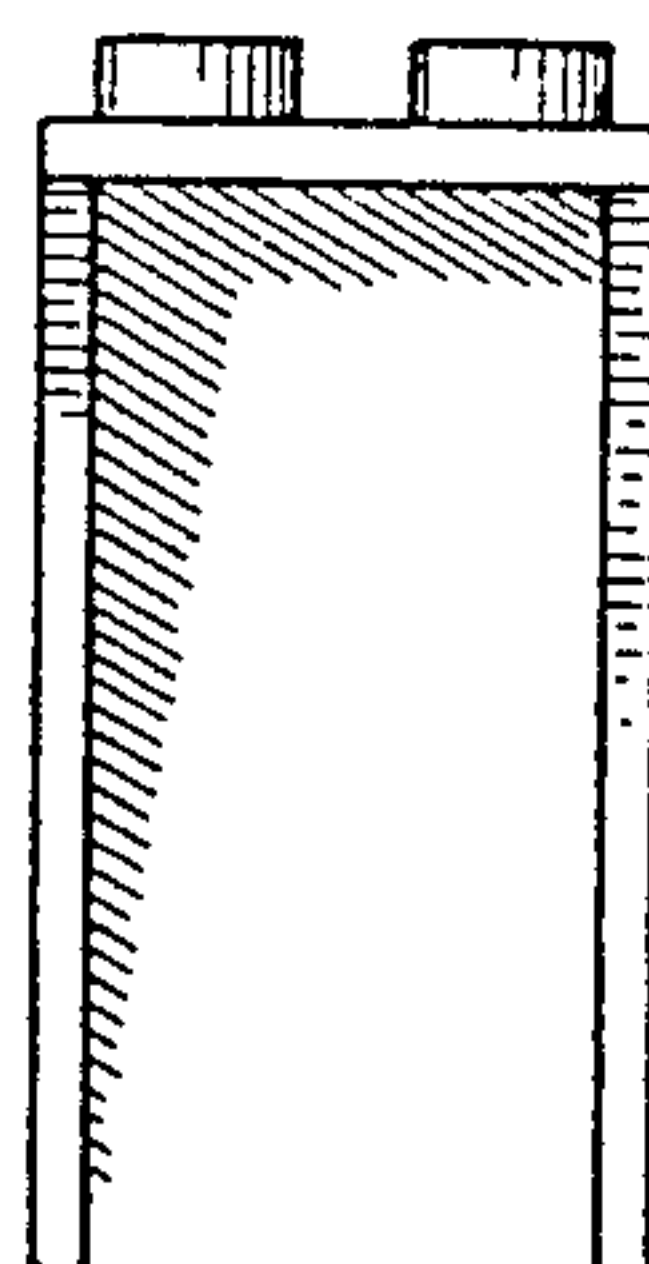


FIG. 6