

[54] **COMBINED PLAYING CARD BOX AND HOLDER**

[76] **Inventor: Howard A. Kelley, 1168 S. Adams St., Denver, Colo. 80210**

[**] **Term: 14 Years**

[21] **Appl. No.: 45,138**

[22] **Filed: May 4, 1987**

[52] **U.S. Cl. D21/54**

[58] **Field of Search D21/54-57; D7/631; 273/148 A, 148 R, 150**

[56] **References Cited**

U.S. PATENT DOCUMENTS

- D. 158,870 6/1950 Koppelman D21/54
- D. 167,729 1/1952 Werner D21/54

- D. 176,405 12/1955 Ericson D21/54
- 2,526,297 10/1950 Tendler 273/148 A
- 2,635,880 4/1953 Kamborian 273/148 A
- 3,635,478 1/1972 Hatley 273/148 A

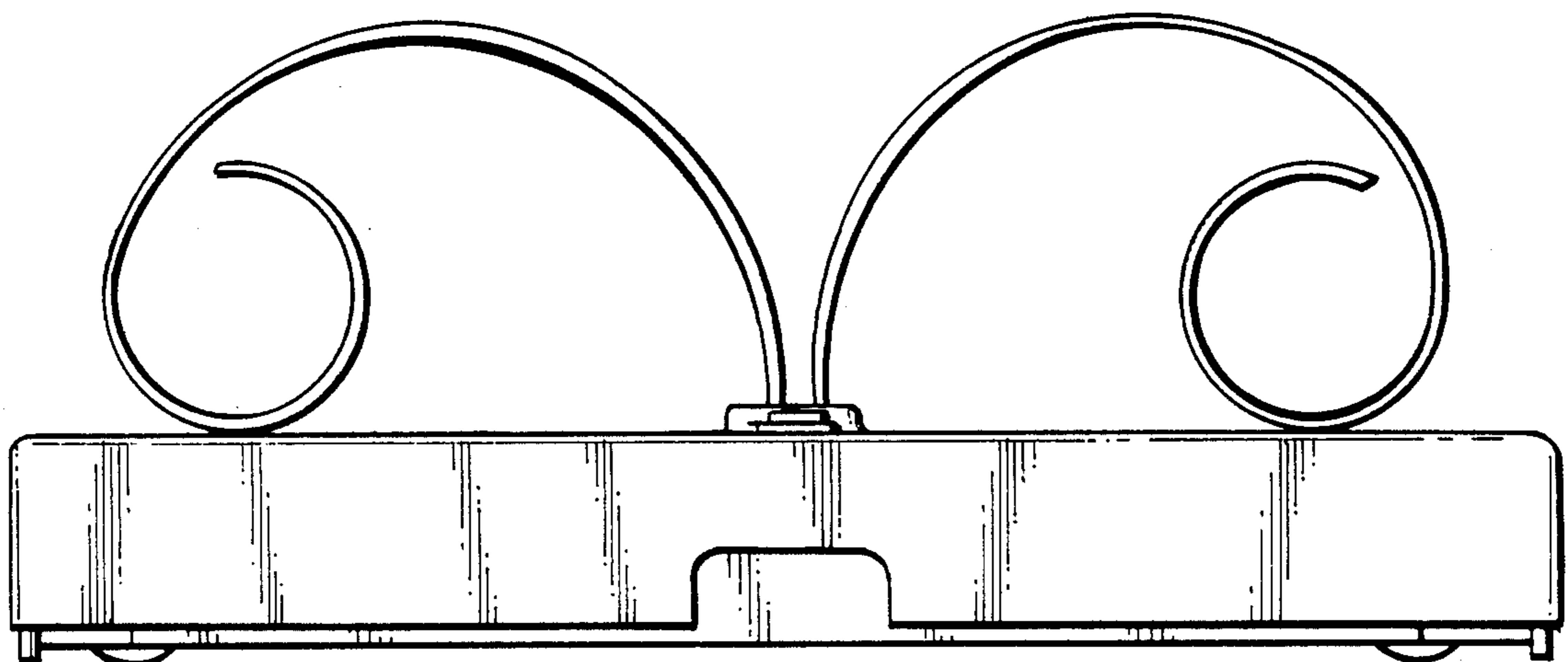
Primary Examiner—Melvin B. Feifer
Assistant Examiner—Prabhakar Deshmukh

[57] **CLAIM**

The ornamental design for a combined playing card box and holder, as shown.

DESCRIPTION

FIG. 1 is a top plan view of a combined playing card box and holder showing my new design; FIG. 2 is a front elevation thereof; FIG. 3 is a right side elevation thereof, the left side elevation being a mirror image thereof; and FIG. 4 is a bottom plan view thereof.



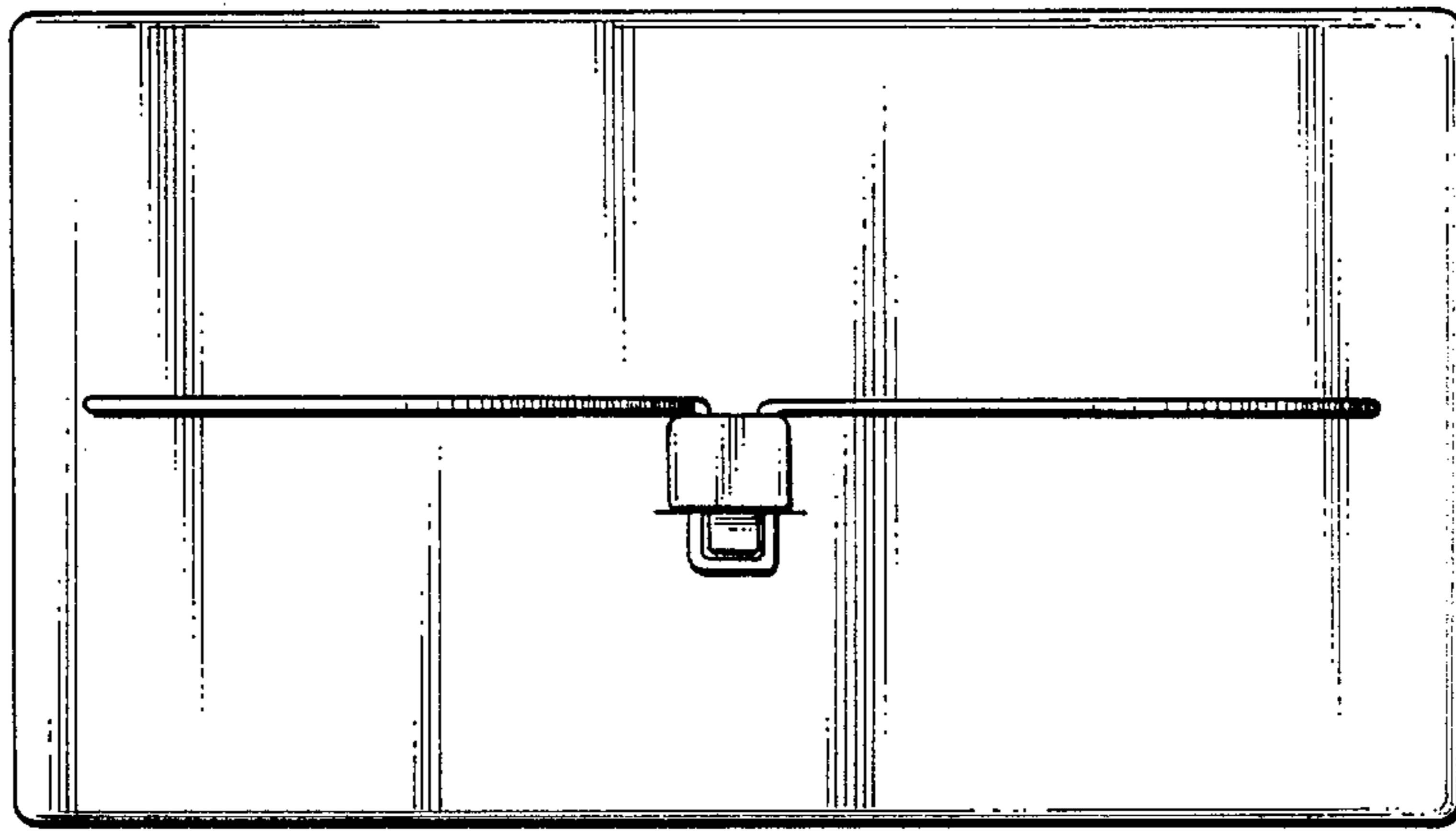


Fig. 1

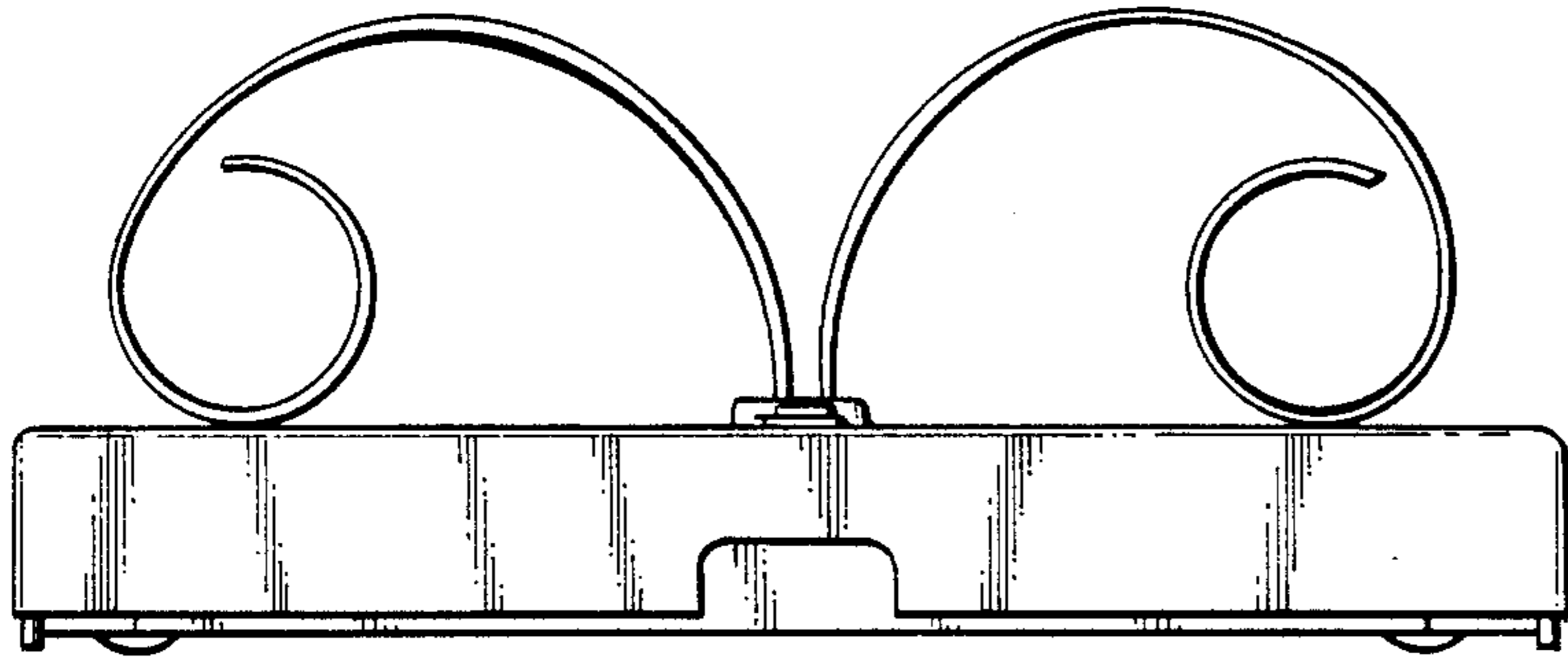


Fig. 2

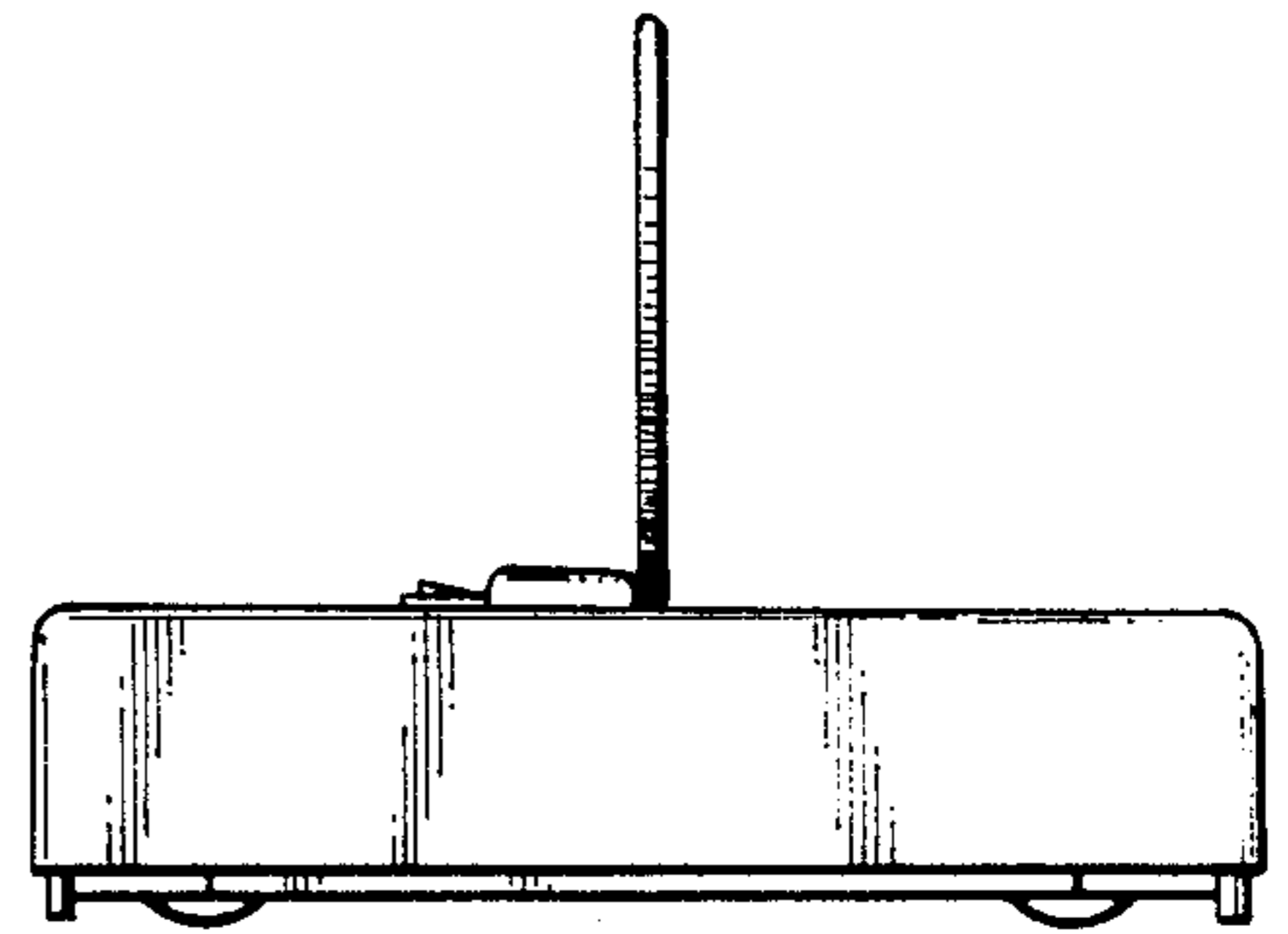


Fig. 3

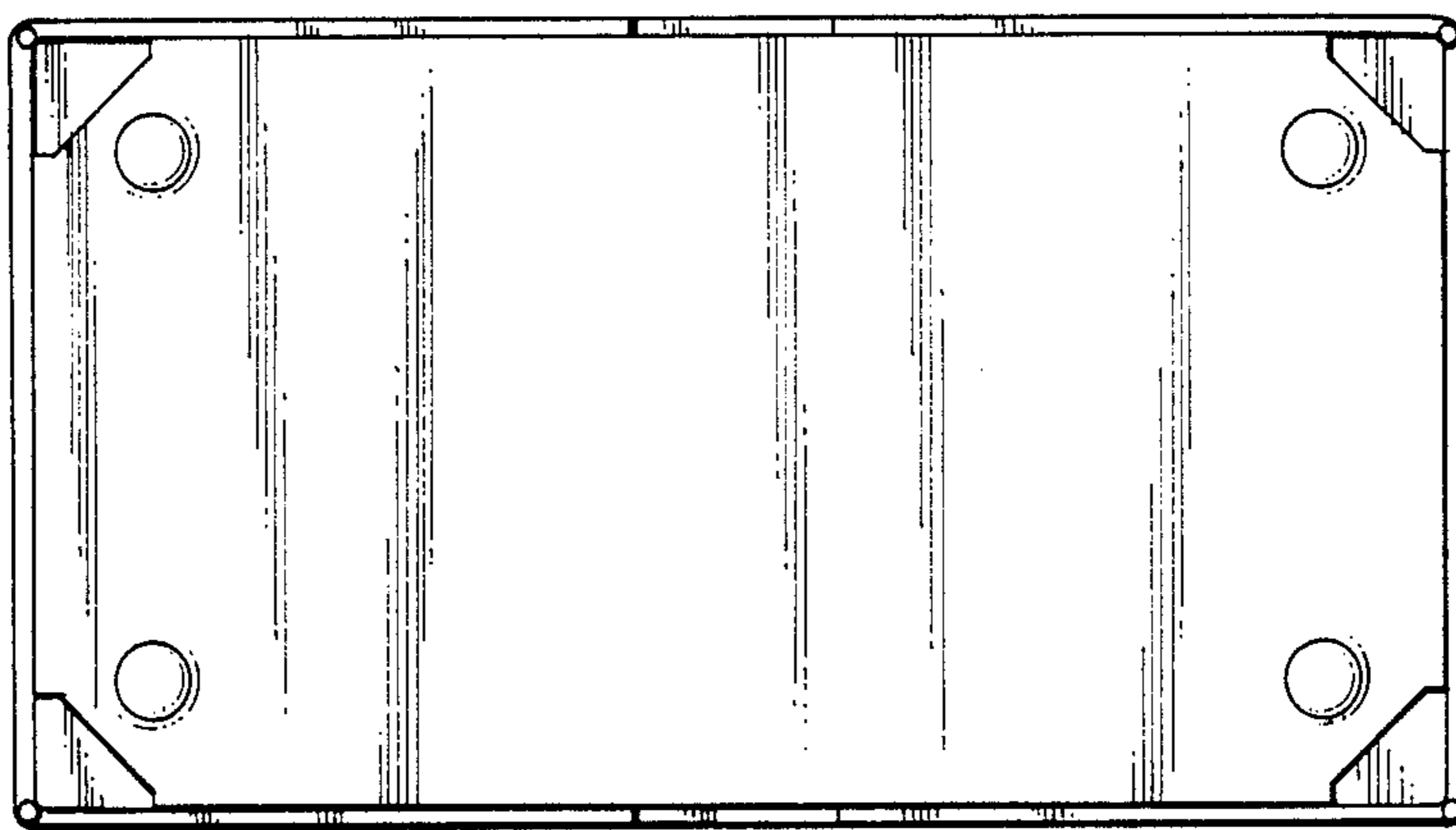


Fig. 4