

[54] **FOUNTAIN PEN**

[76] **Inventor: Ferdinand A. Porsche, Flugplatzstr. 29, 5700 Zell am See, Austria**

[**] **Term: 14 Years**

[21] **Appl. No.: 96,890**

[22] **Filed: Sep. 14, 1987**

[30] **Foreign Application Priority Data**

Sep. 2, 1987 [AT] Austria 18585
[52] **U.S. Cl.** **D19/43; D19/41; D19/51; D19/56**

[58] **Field of Search** **D19/35, 36, 41-51, D19/54-58; 401/99, 104, 209**

[56] **References Cited**

U.S. PATENT DOCUMENTS

- D. 146,335 2/1947 Colomy D19/48
- D. 247,246 2/1978 Verona D19/45
- D. 256,136 7/1980 Müller D19/48 X
- D. 280,422 9/1985 Booker et al. D19/45 X
- D. 286,791 11/1986 Booker D19/51
- D. 297,020 8/1988 Grossiord D19/51

- 2,468,258 4/1949 Fahringer et al. D19/45 X
- 4,518,274 5/1985 Hanggi 401/195

OTHER PUBLICATIONS

B. A. Pargh Company Inc., 1985-86, Fall-Winter Catalog, see Pentel Writing Instrument R100 right center.

Primary Examiner—Bruce W. Dunkins
Assistant Examiner—Martha Thompson
Attorney, Agent, or Firm—Pennie & Edmonds

[57] **CLAIM**

The ornamental design for a fountain pen, as shown and described.

DESCRIPTION

FIG. 1 is a side perspective view of a fountain pen showing my new design in the closed position; FIG. 2 is a side perspective view showing my new design in an exploded condition; FIG. 3 is a rear elevational view; FIG. 4 is a front elevational view; FIG. 5 is a right side elevational view; FIG. 6 is a left side elevational view; FIG. 7 is a top plan view on an enlarged scale; and FIG. 8 is a bottom plan view on an enlarged scale.

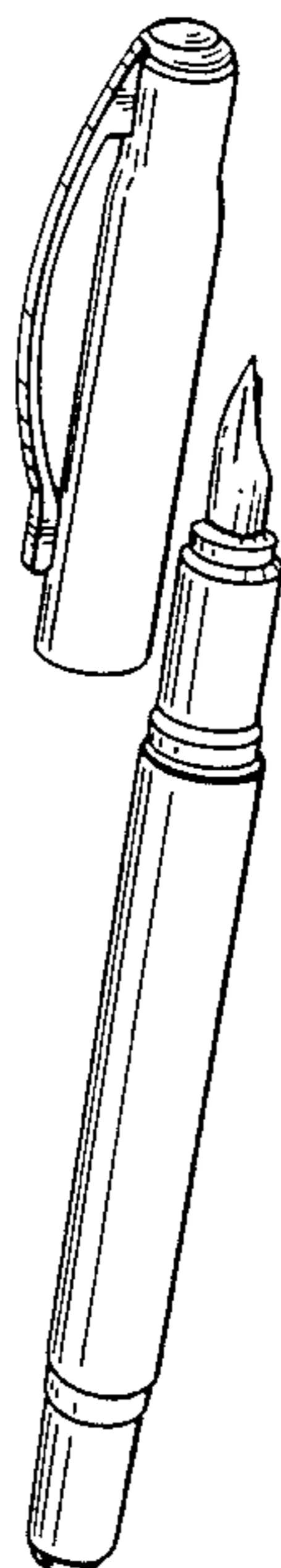


FIG. 2

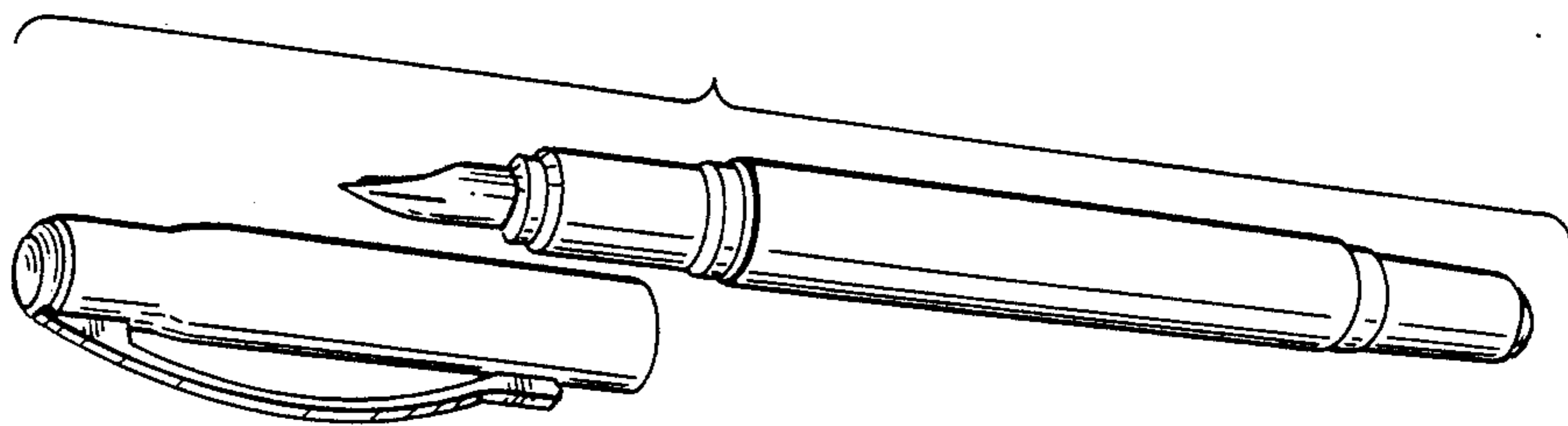


FIG. 1

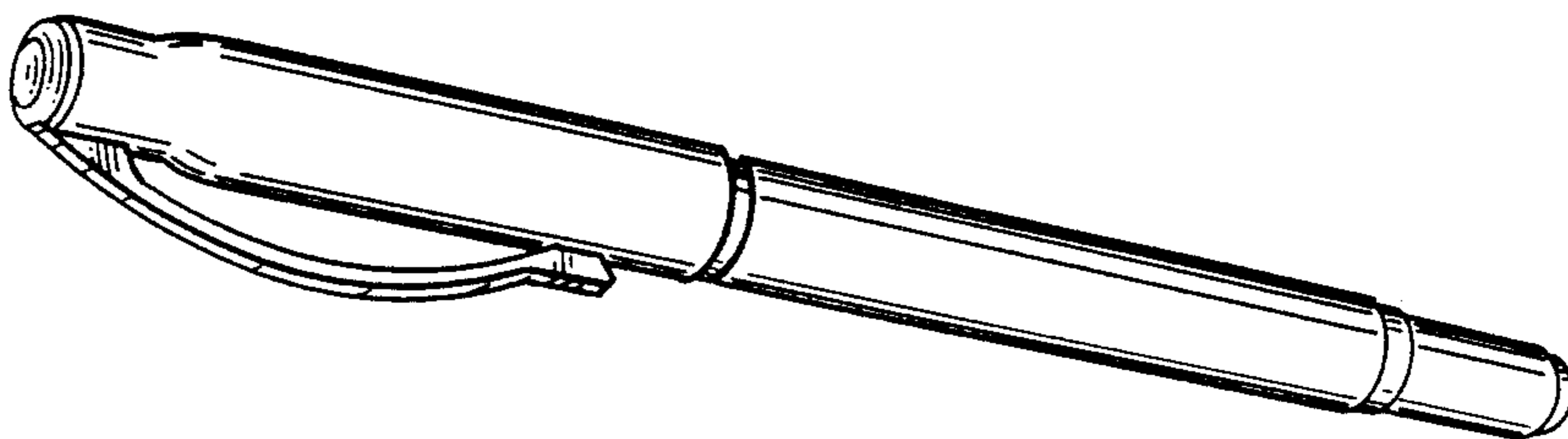


FIG. 4



FIG. 3



FIG. 5

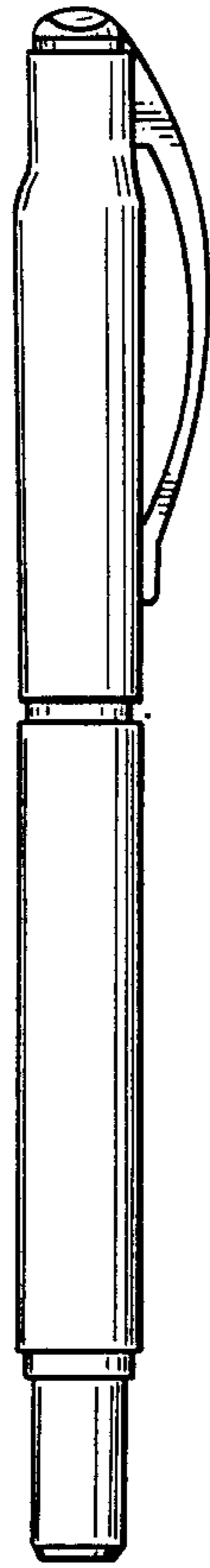


FIG. 6

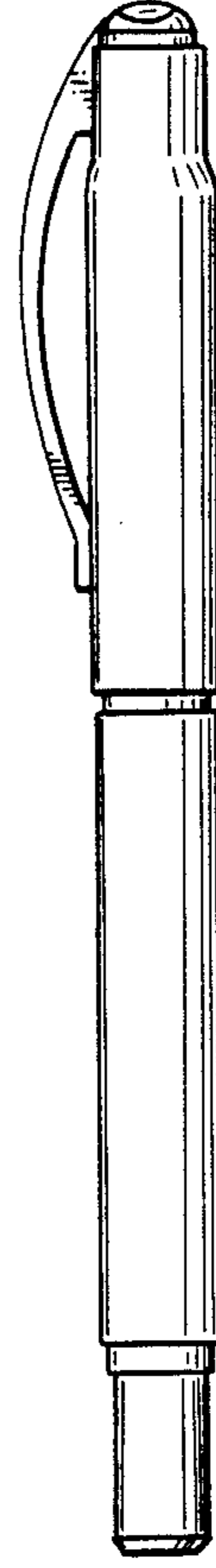


FIG. 7

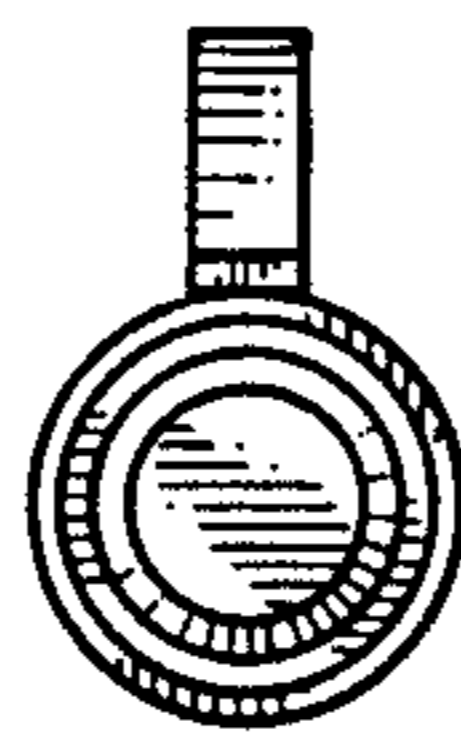


FIG. 8

