

[54] PRINTER

[75] Inventor: Kazuo Yoshida, Tokyo, Japan

[73] Assignee: Oki Electric Industry Co., Ltd., Tokyo, Japan

[**] Term: 14 Years

[21] Appl. No.: 42,353

[22] Filed: Apr. 24, 1987

[30] Foreign Application Priority Data

Oct. 27, 1986 [JP] Japan 61-42275
[52] U.S. Cl. D18/13
[58] Field of Search D14/111; D18/13, 22, D18/23; 400/613.2-613.4, 691-694

[56] References Cited

U.S. PATENT DOCUMENTS

- D. 269,346 6/1983 LaBarbera D18/13
- D. 279,783 7/1985 Jordan et al. D14/111
- D. 287,140 12/1986 Yoshida D18/13
- D. 287,497 12/1986 Goodner et al. D14/111
- D. 288,929 3/1987 Giannoti, Jr. et al. D14/111
- 4,175,878 11/1979 Wing 400/693
- 4,493,573 1/1985 Hashimoto 400/692

OTHER PUBLICATIONS

NEC Info Systems, Inc., Spinwriter; Series 3500, May 1982.

Byte Magazine, Apr. 1984; Toshiba Ad, p. 67. Facit C5500/C7500 Multi-Mode Printers Brochure; May 1986.

Primary Examiner—James R. Largen
Assistant Examiner—Cathy Anne MacCormac
Attorney, Agent, or Firm—Wenderoth, Lind & Ponack

[57] CLAIM

The ornamental design for a printer, as shown.

DESCRIPTION

FIG. 1 is a front elevational view of a printer showing our new design;
 FIG. 2 is a top plan view thereof;
 FIG. 3 is a rear elevational view thereof;
 FIG. 4 is a bottom plan view thereof;
 FIG. 5 is a left side elevational view thereof;
 FIG. 6 is a right side elevational view thereof;
 FIG. 7 is a cross sectional view taken on line VII—VII of FIG. 1 with the internal structure omitted;
 FIG. 8 is a cross sectional view taken on line VIII—VIII in FIG. 1 with the internal structure omitted;
 FIG. 9 is a perspective view taken from the top, front and right side thereof; and
 FIG. 10 is another perspective view taken from the top front and right side thereof;
 The broken line representation of paper, printing cartridges and programming panel in FIG. 10 is for illustrative purposes only and forms no part of the claimed design.

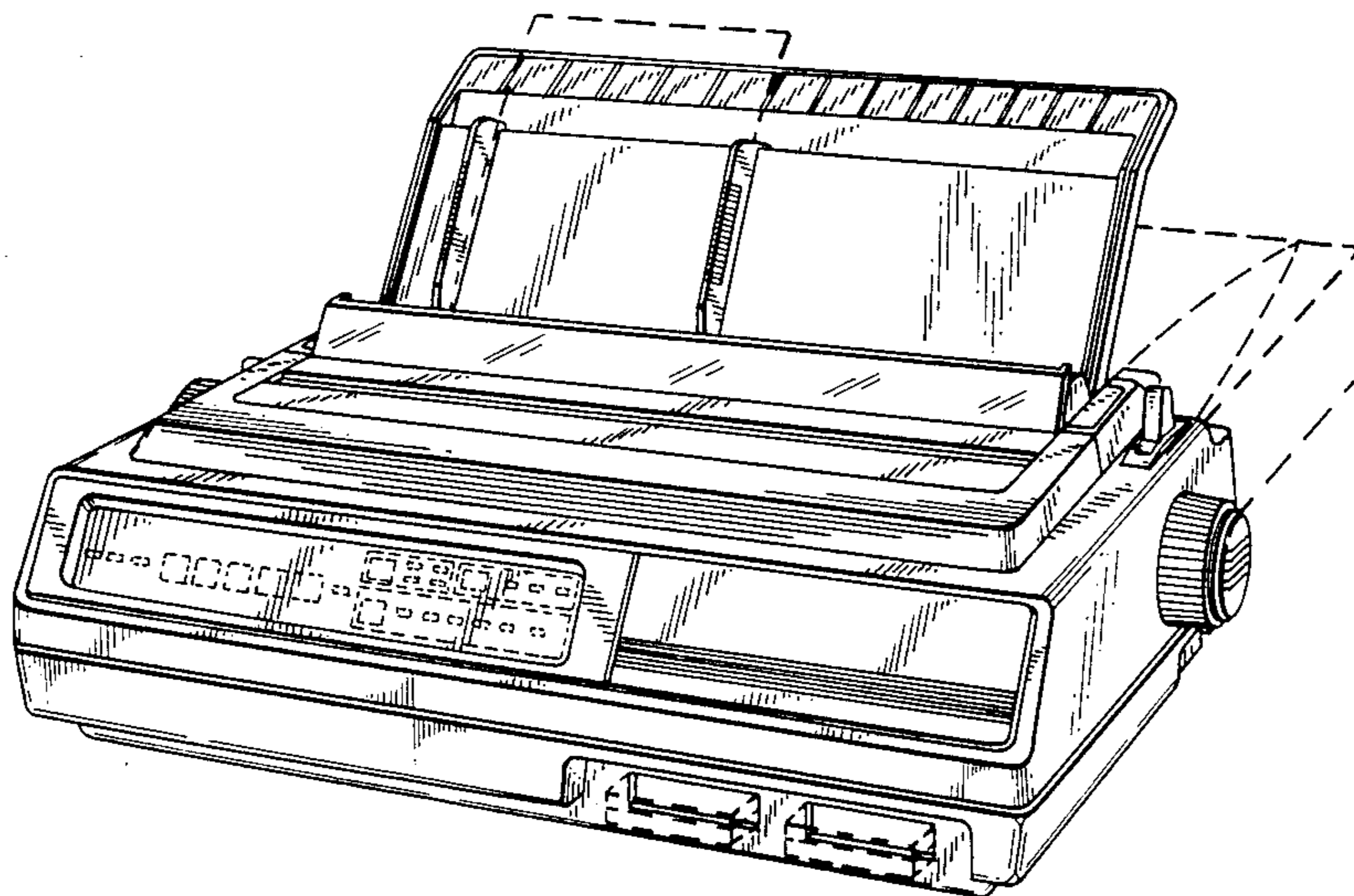


Fig. 1

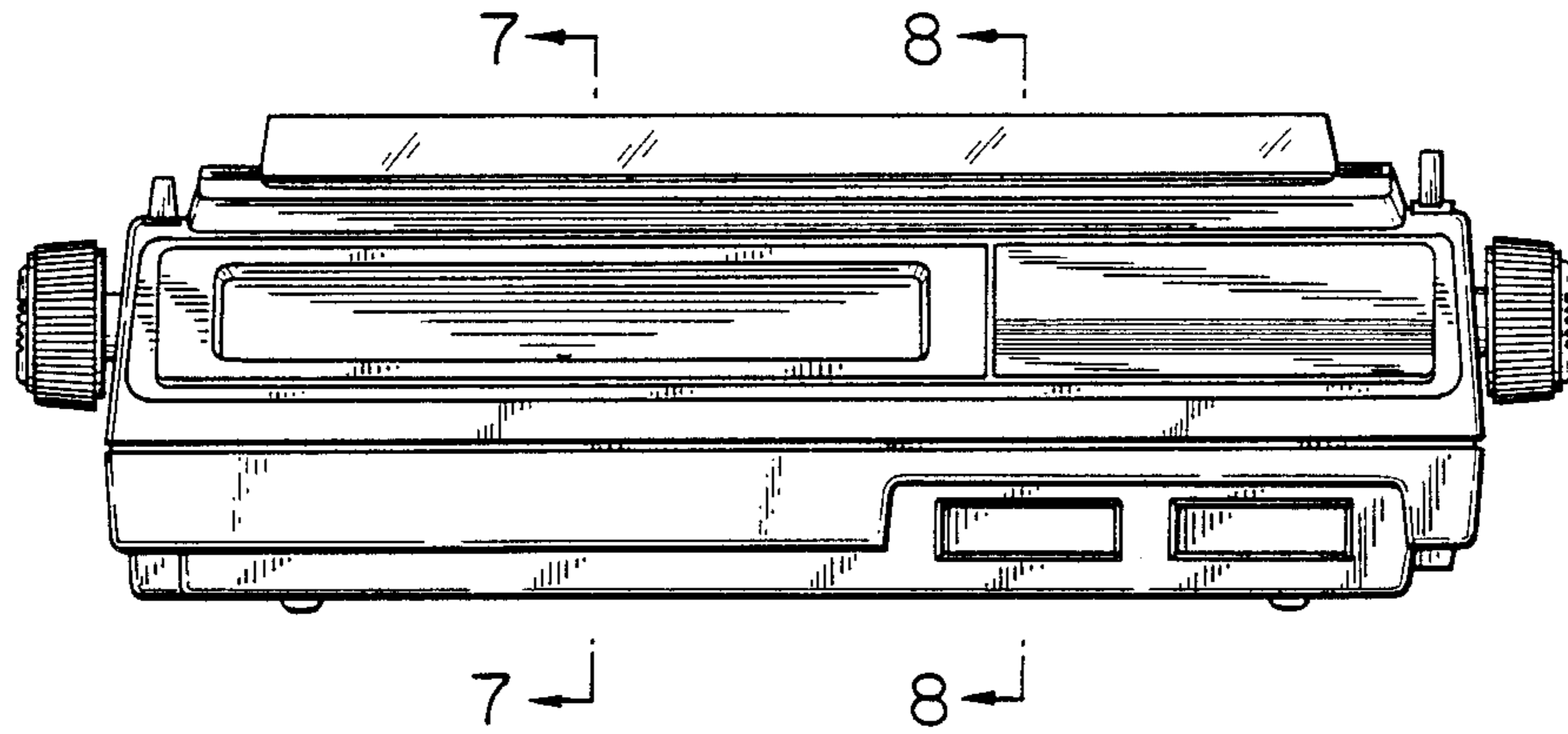


Fig. 2

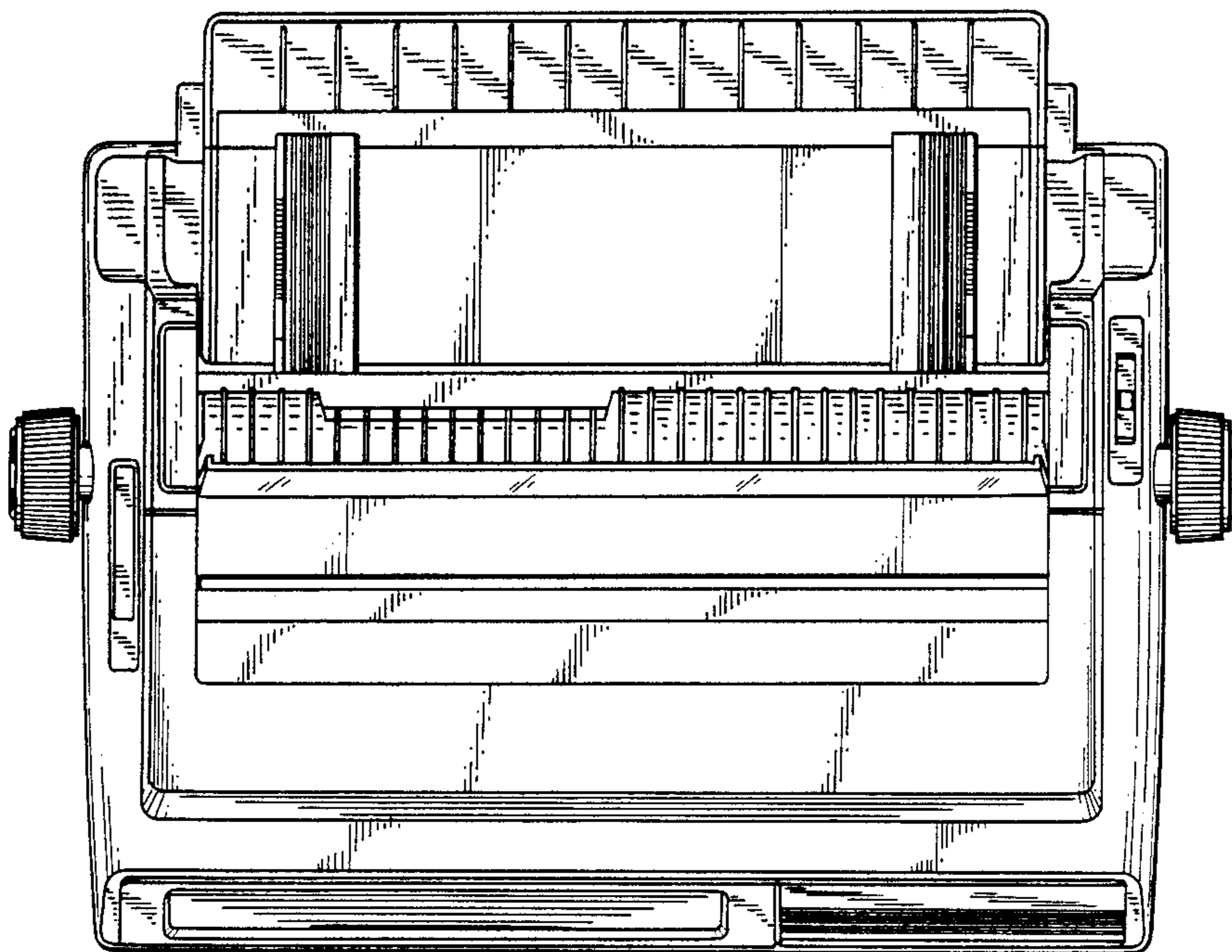


Fig. 3

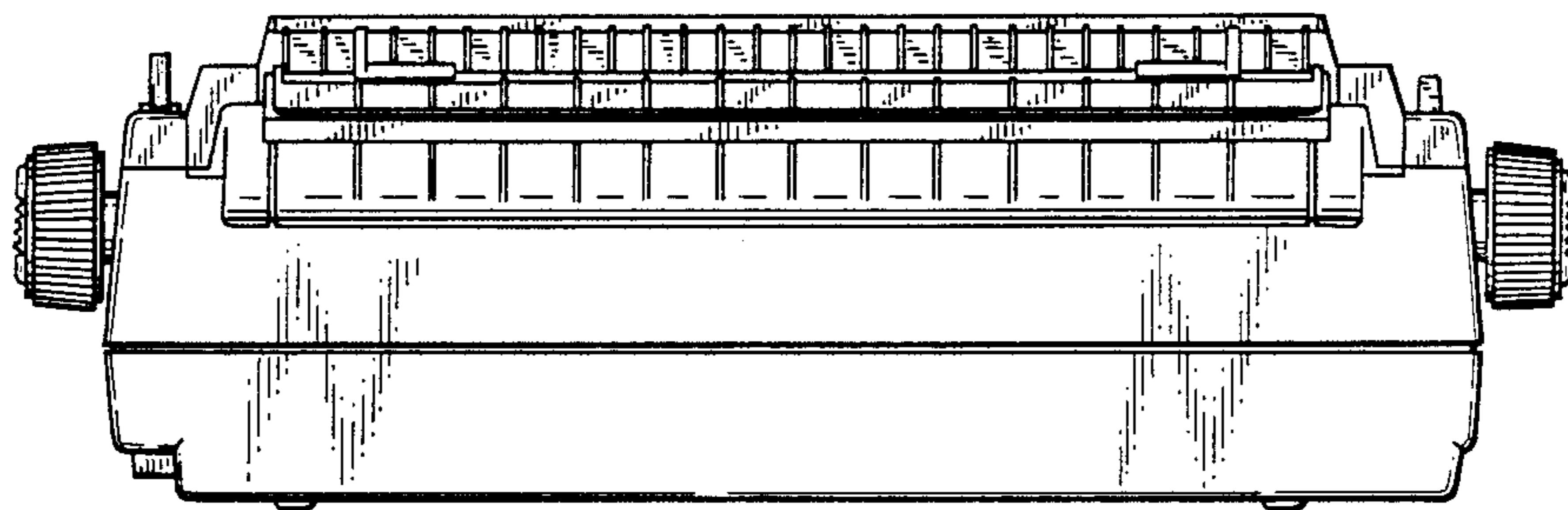


Fig. 4

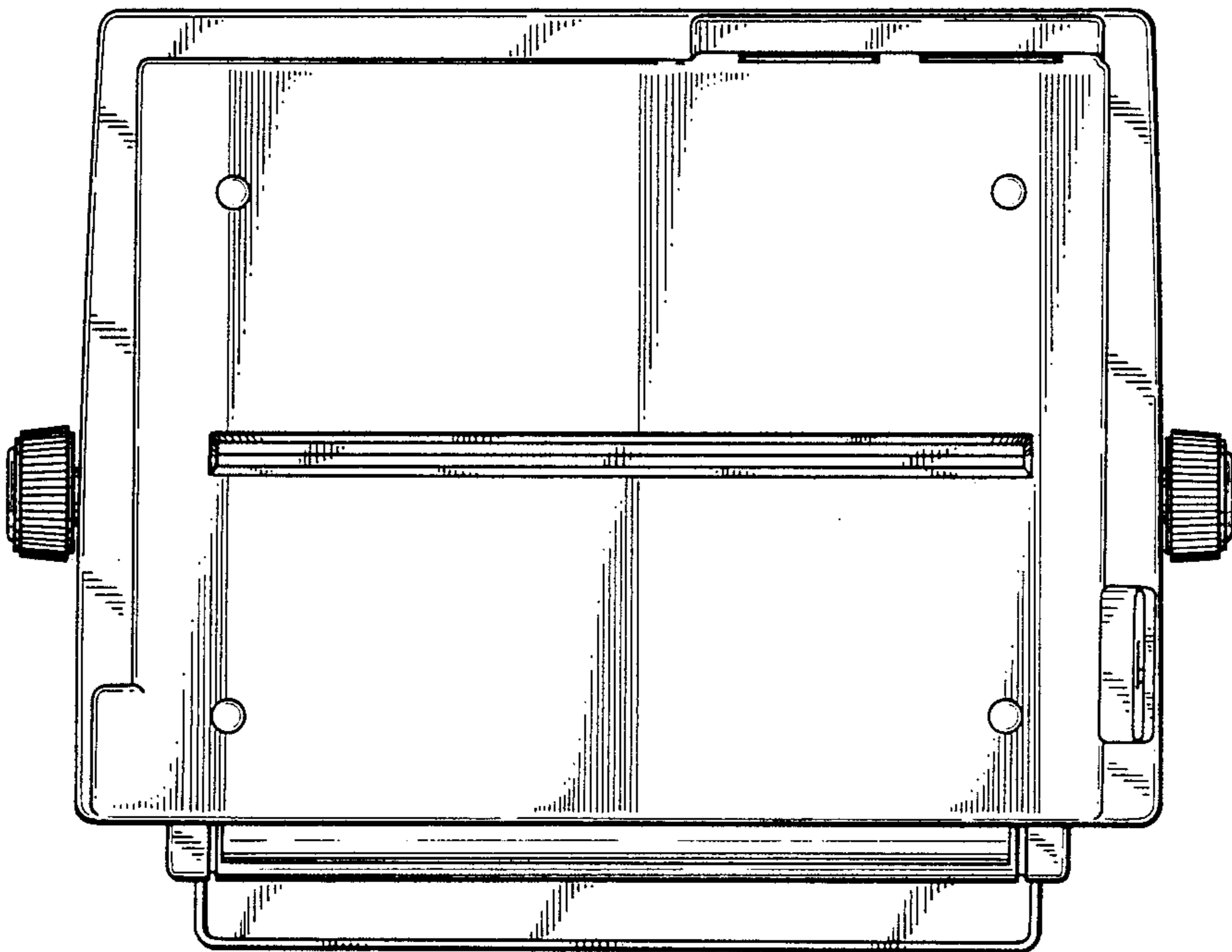


Fig. 5

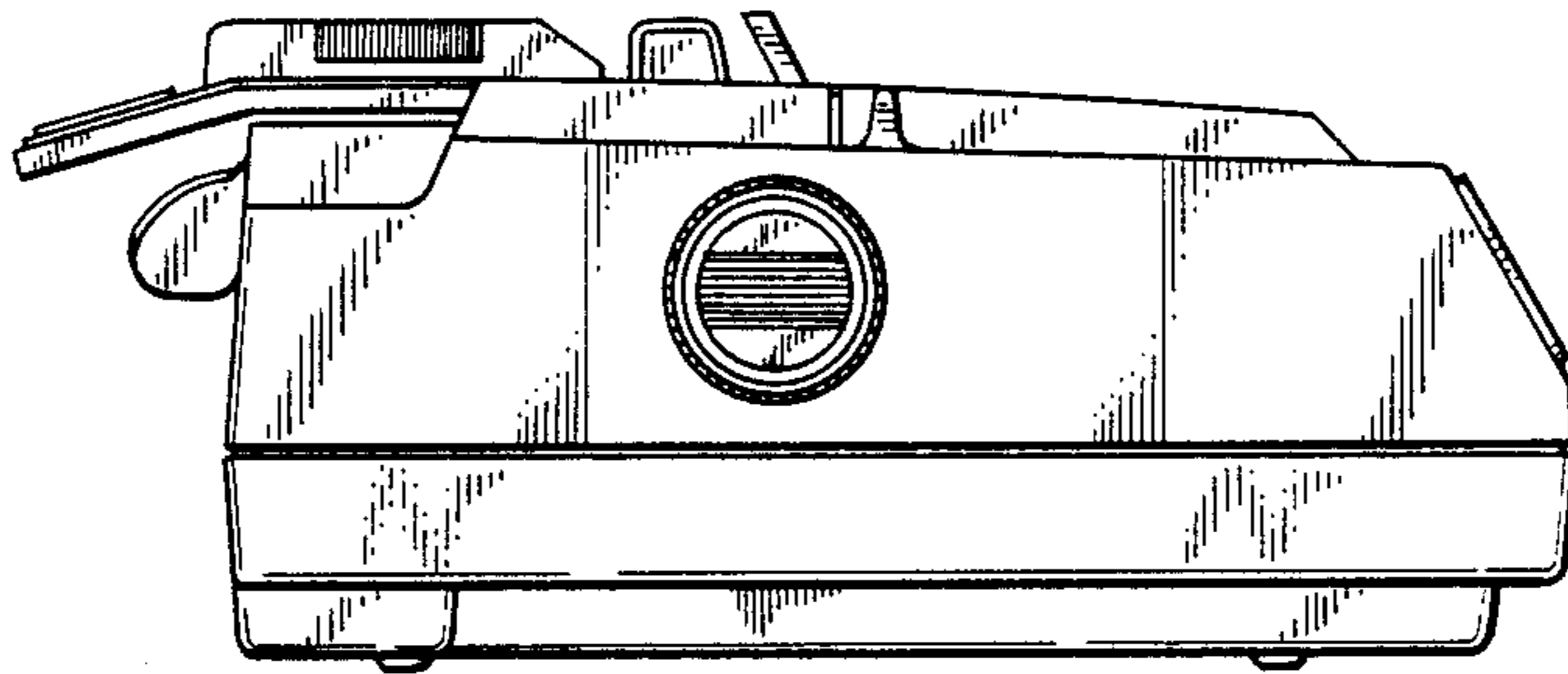


Fig. 6

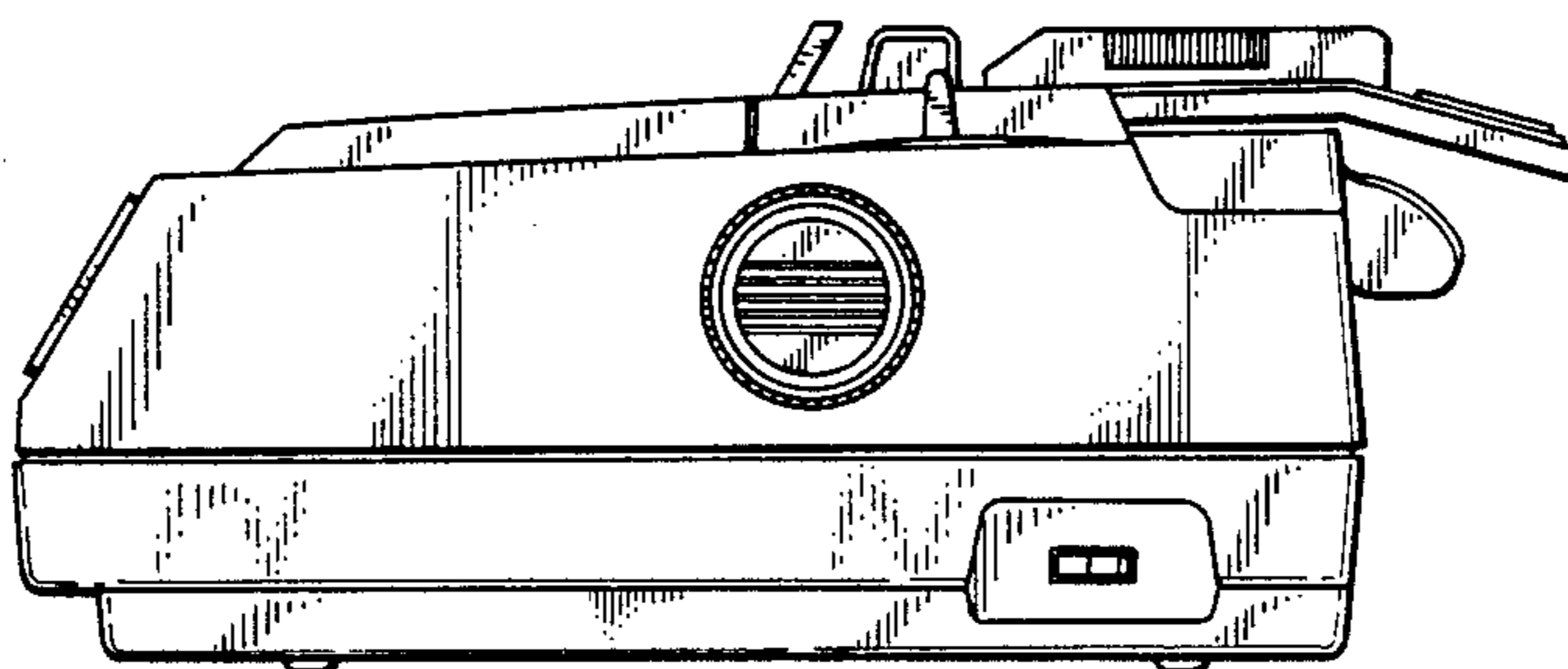


Fig. 7

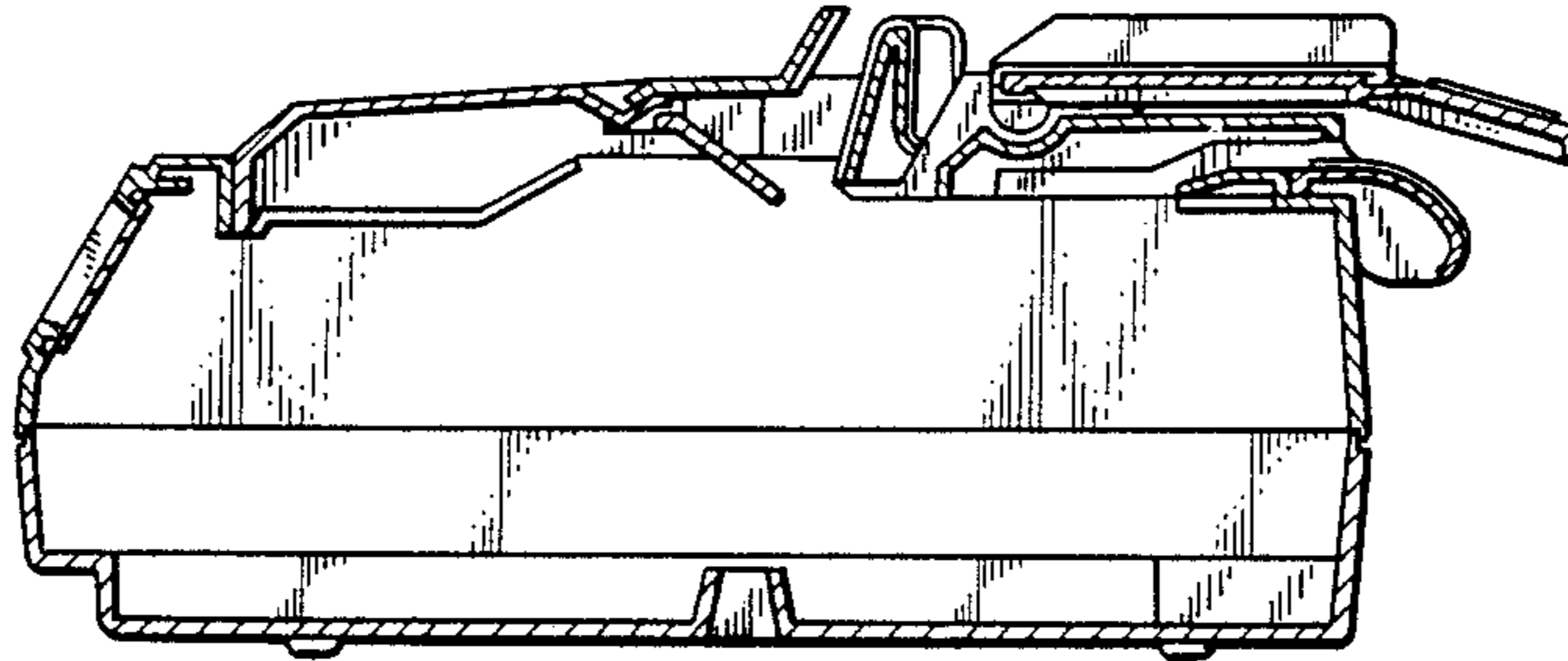


Fig. 8

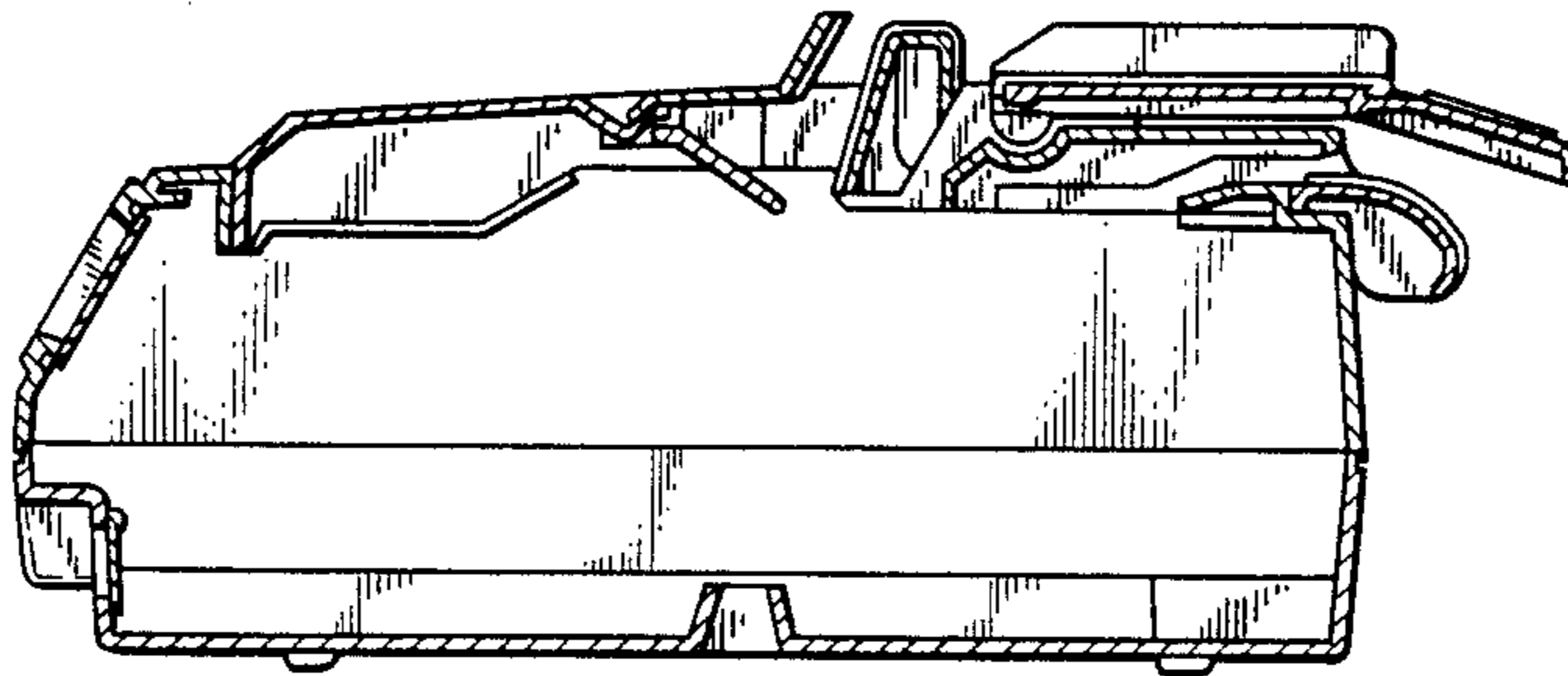


Fig. 9

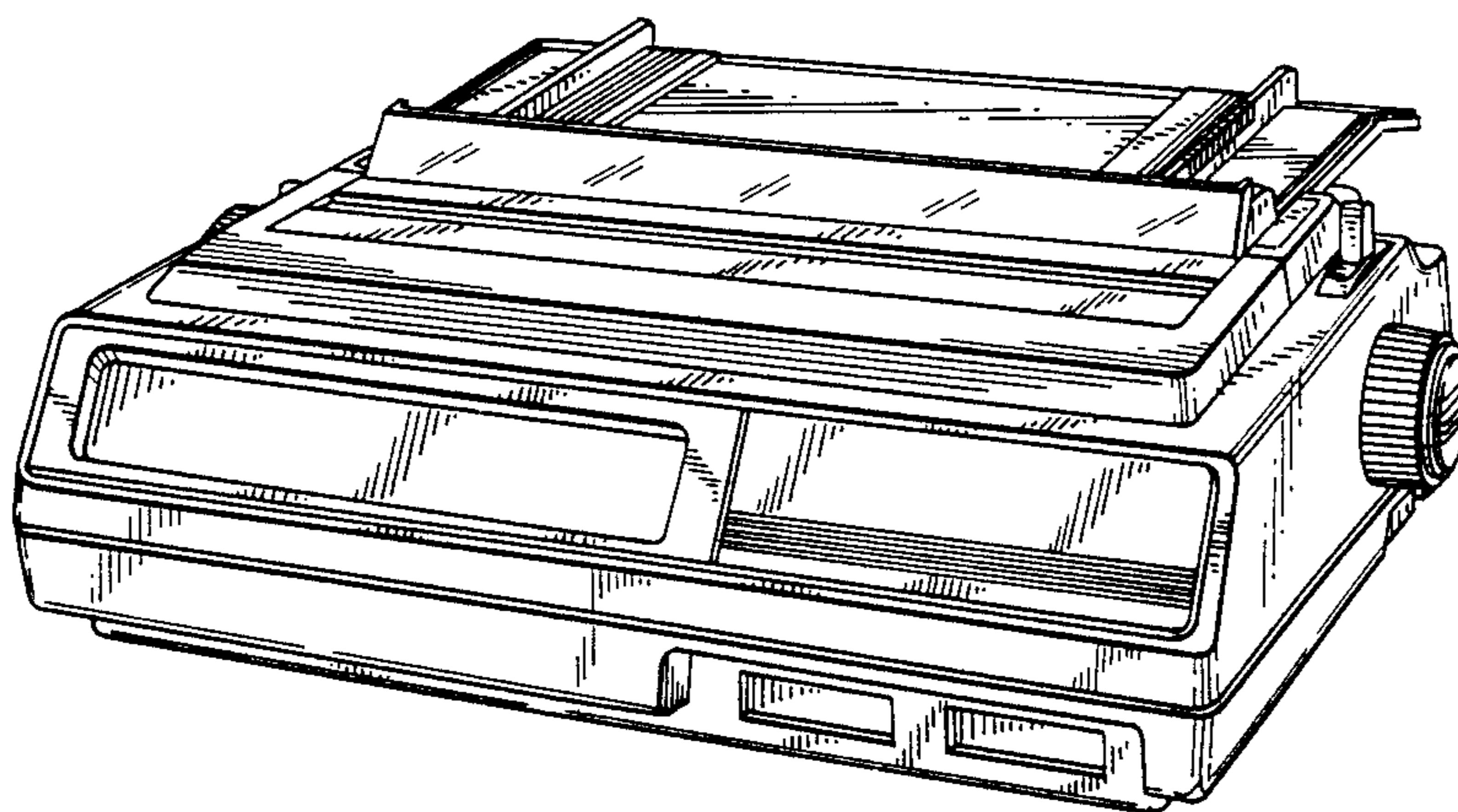


Fig. 10

