

[54] **DRUM HOLDER**

[75] Inventors: **Masamichi Nakayama, Nagoya;**
Yoshiki Hoshino, Owariasahi, both of
Japan

[73] Assignee: **Hoshino Gakki Co., Ltd., Japan**

[**] Term: **14 Years**

[21] Appl. No.: **11,226**

[22] Filed: **Feb. 5, 1987**

[52] U.S. Cl. **D17/22**

[58] Field of Search **D17/22, 99; D8/354;**
84/421; 248/231.5, 231.6, 316.5, 316.6

[56] **References Cited**

U.S. PATENT DOCUMENTS

D. 250,222	11/1978	Clark et al.	D17/22
D. 292,218	10/1987	Corder	D17/22
3,405,587	10/1968	Meazzi et al.	84/421
4,453,446	6/1984	Hoshino	84/421
4,593,596	6/1986	Gauger	84/421

OTHER PUBLICATIONS

Tar 6 and Diner Catalog, 1970, p. 272.

Primary Examiner—Bernard Ansher

Assistant Examiner—Adir Aronovich

Attorney, Agent, or Firm—Ostrolenk, Faber, Gerb & Soffen

[57] **CLAIM**

The ornamental design for drum holder, as shown and described.

DESCRIPTION

FIG. 1 is a top, front perspective view of a drum holder showing my new design;

FIG. 2 is a top, rear perspective view thereof;

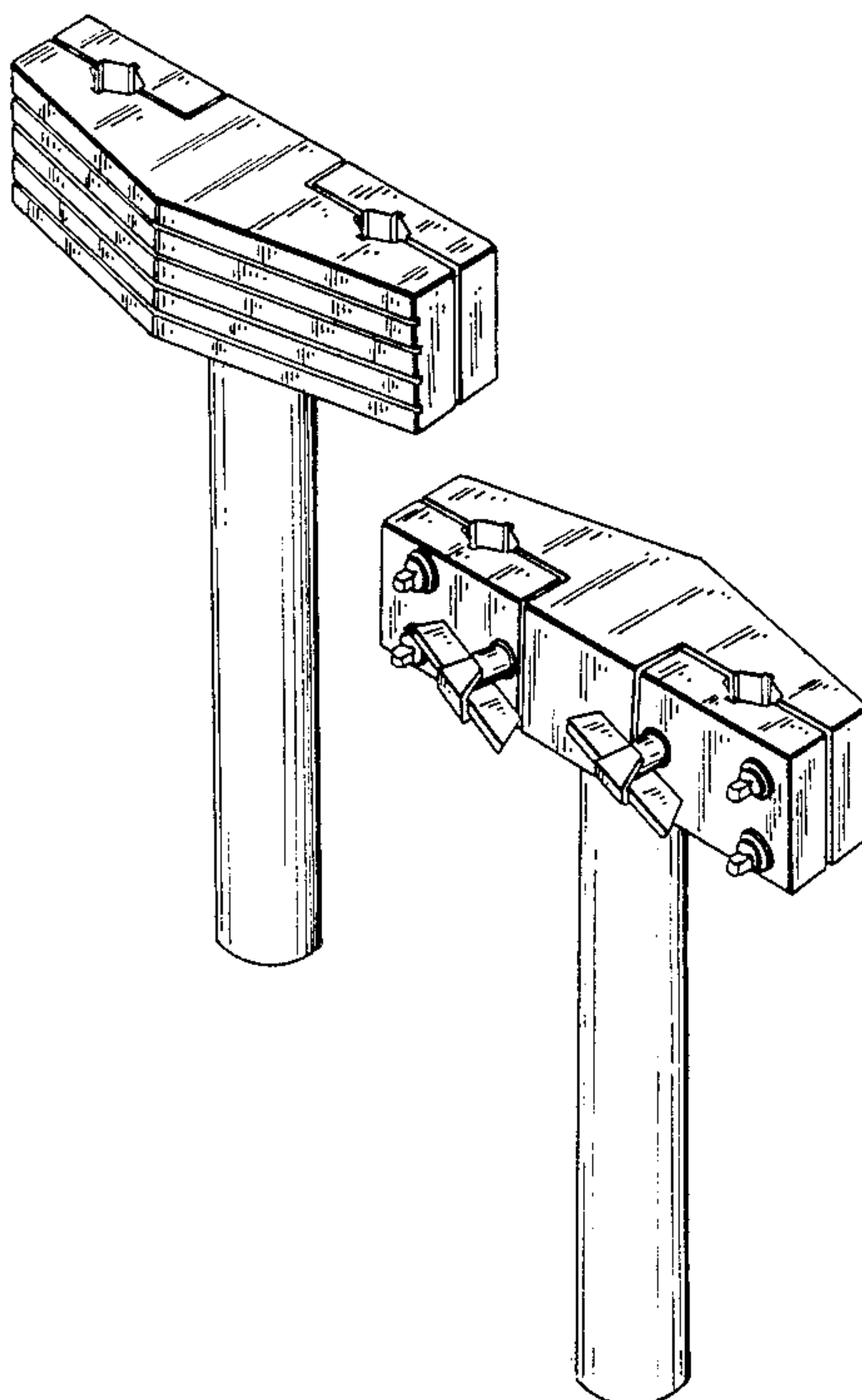
FIG. 3 is a top plan view thereof;

FIG. 4 is a front elevational view thereof;

FIG. 5 is a side elevational view, the opposite side view being a mirror image of a side shown;

FIG. 6 is a bottom plan view thereof; and

FIG. 7 is a rear elevational view.



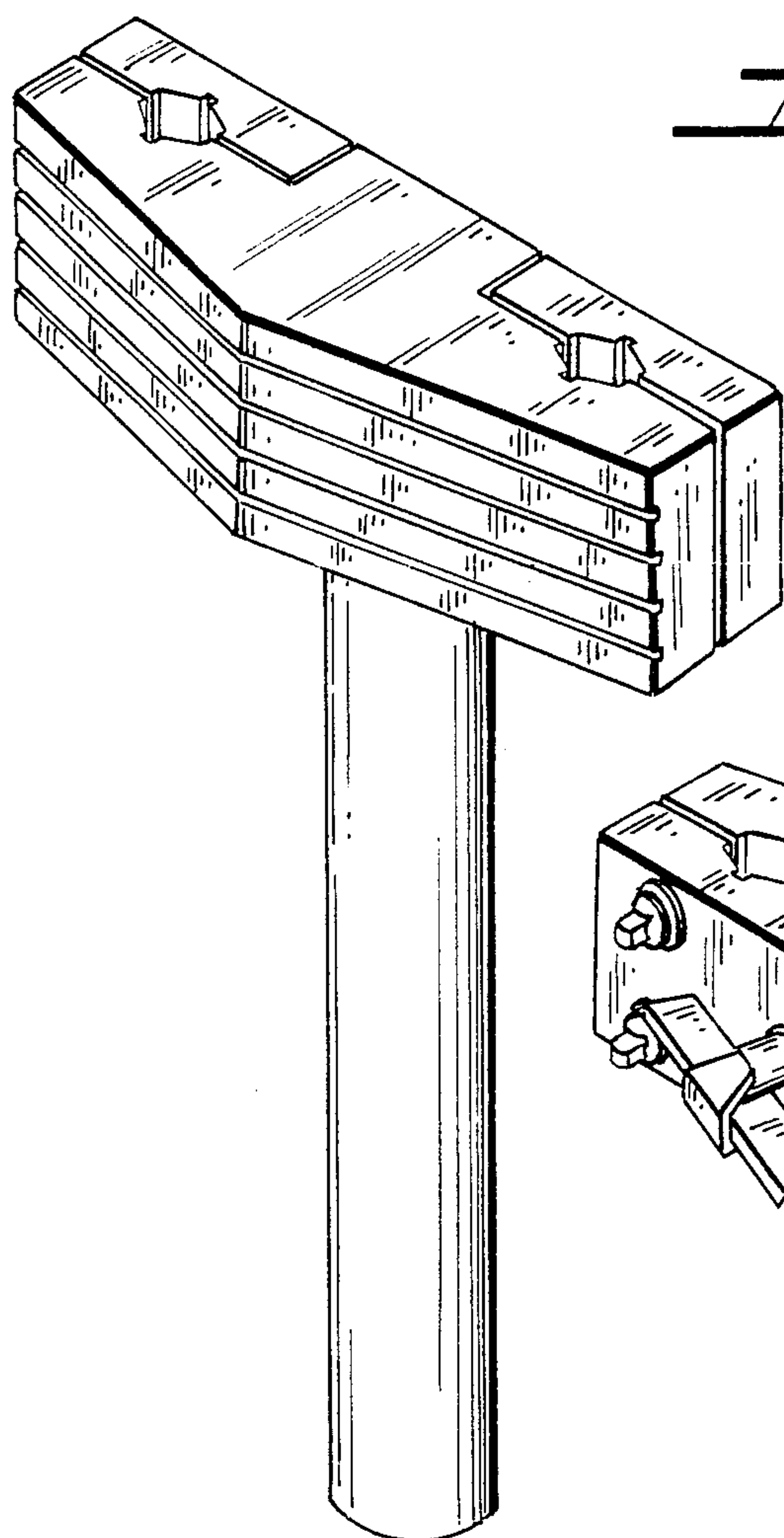


FIG. 1.

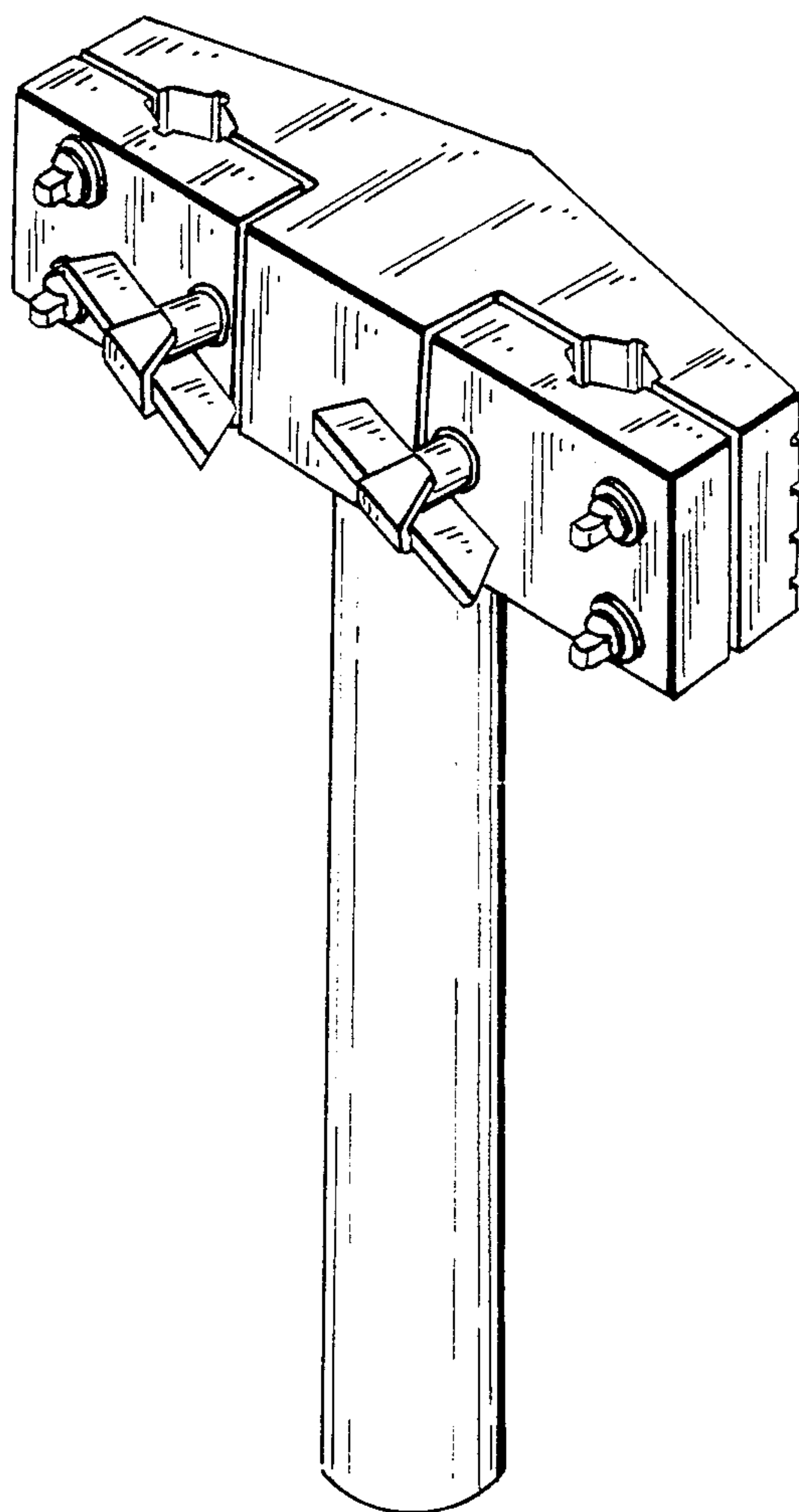


FIG. 2.

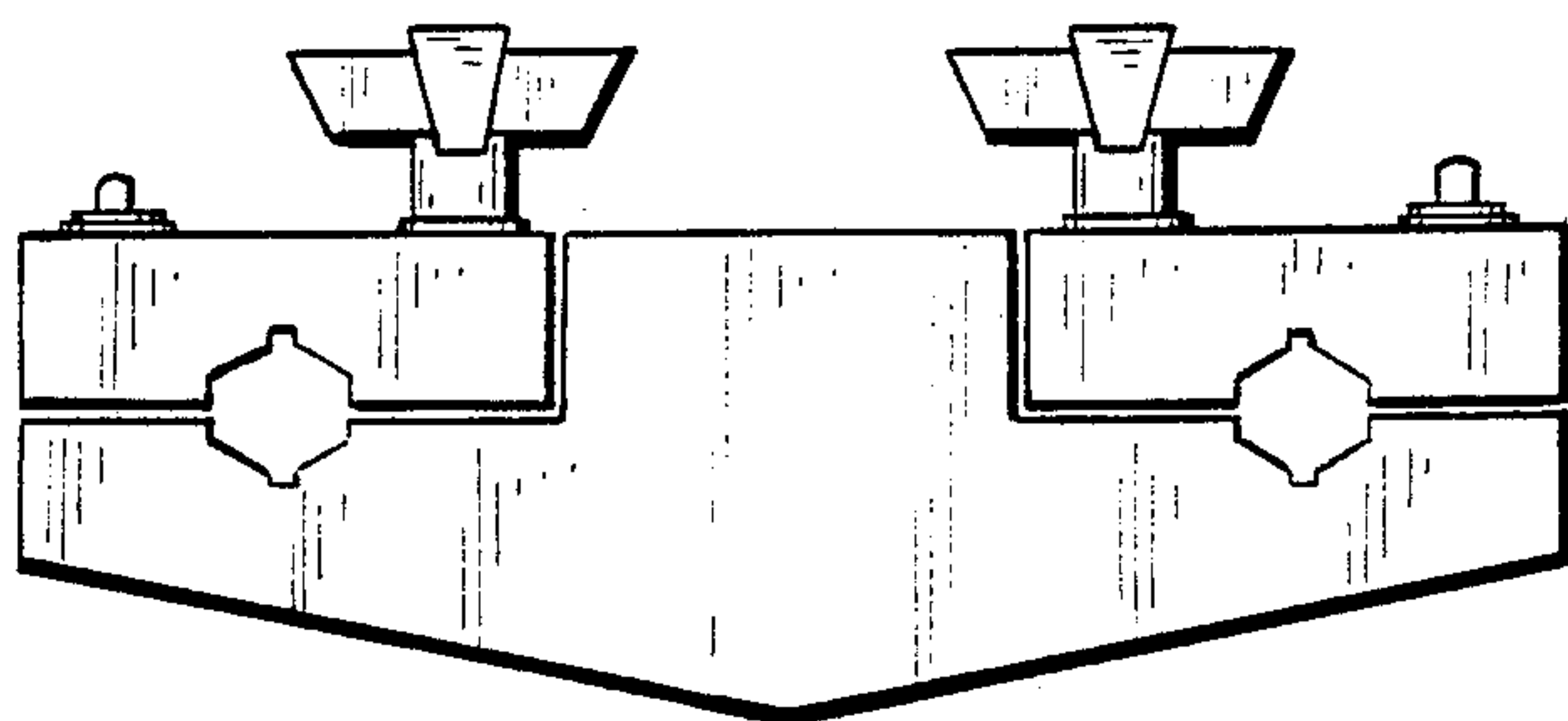


FIG. 3.

FIG. 4.

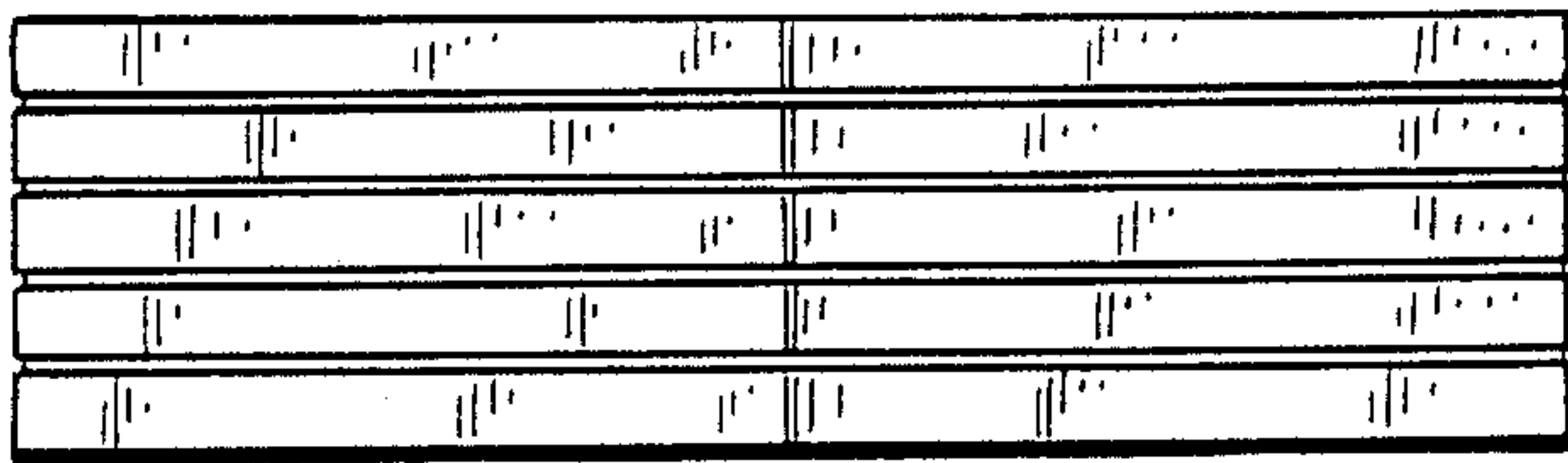


FIG. 5.

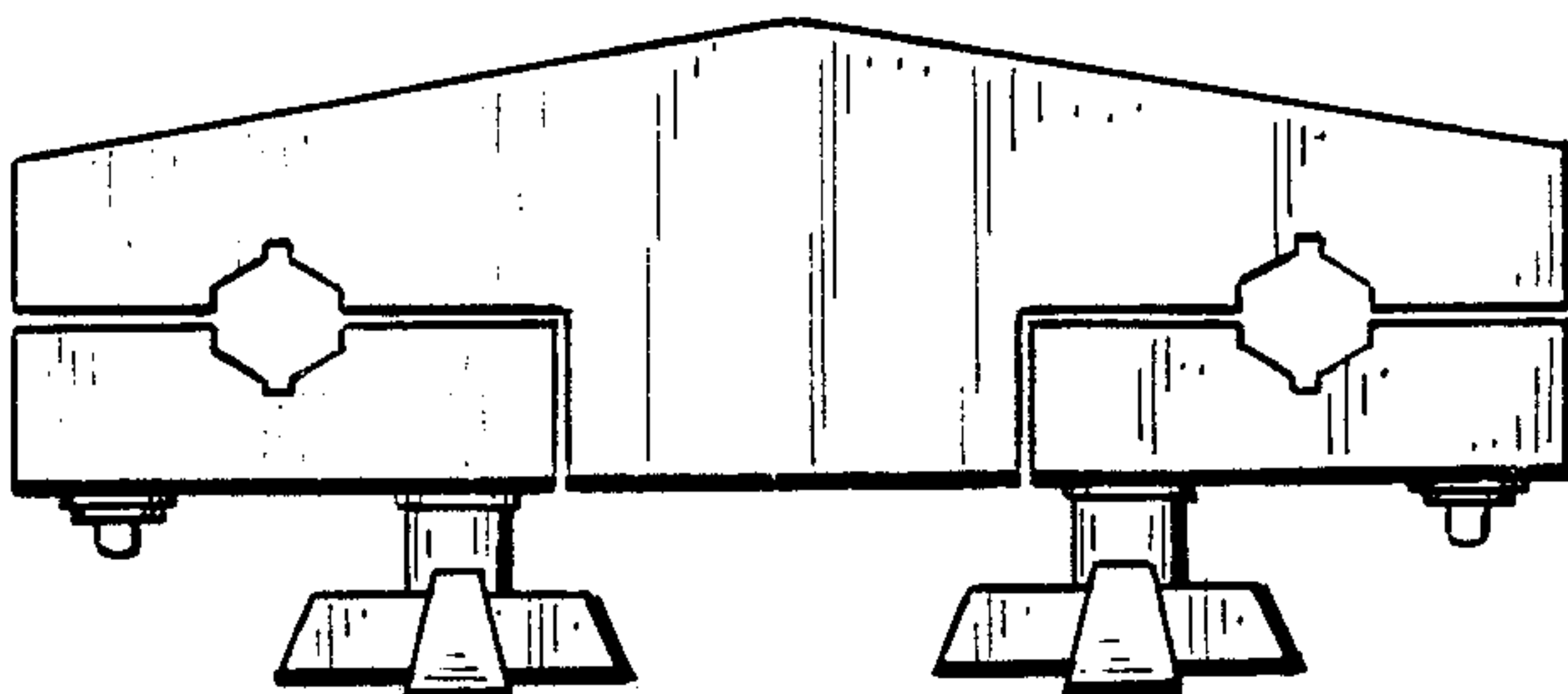
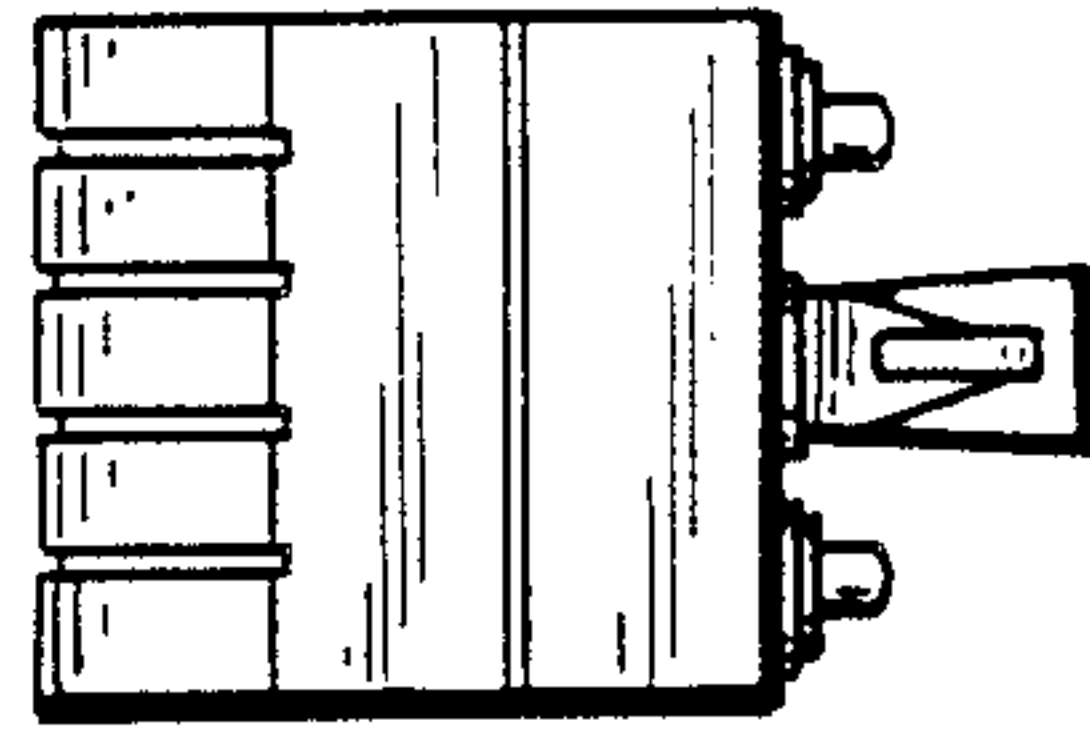


FIG. 6.

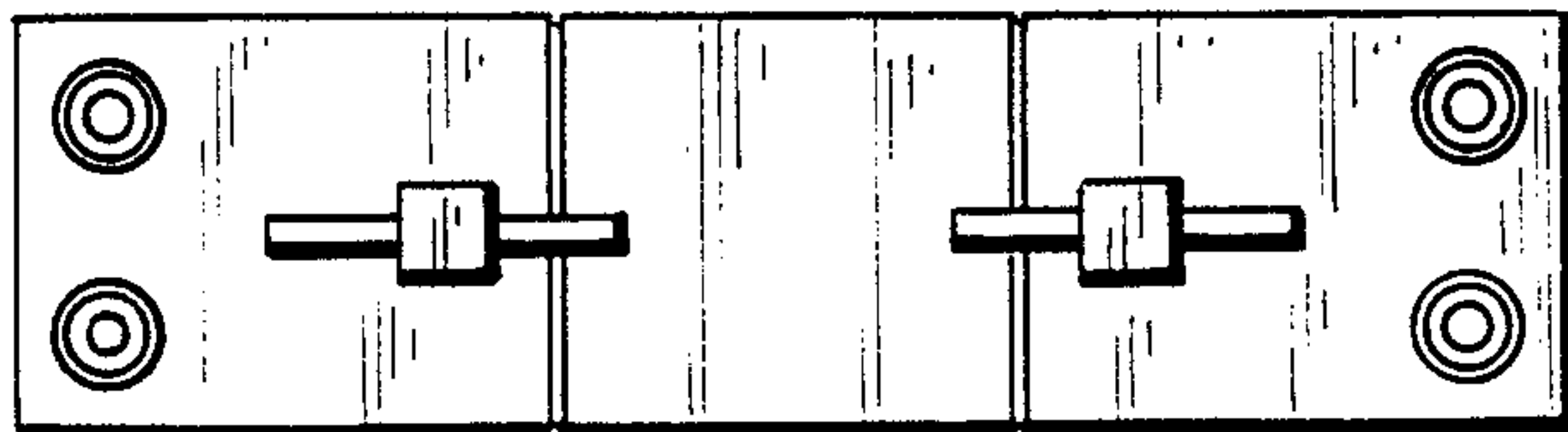


FIG. 7.