

[54] REFLECTIVE CAMERA FLASH ATTACHMENT

[76] Inventor: Quest Couch, 10521 Gulfdale, San Antonio, Tex. 78216

[**] Term: 14 Years

[21] Appl. No.: 30,811

[22] Filed: Mar. 25, 1987

[52] U.S. Cl. D16/239; D16/237

[58] Field of Search D16/237, 239, 240, 241; 354/126, 287; 362/3; 248/346

[56] References Cited

U.S. PATENT DOCUMENTS

D. 151,025	9/1948	Barnes	D16/239
D. 155,007	8/1949	Harmon	D16/239
D. 223,730	5/1972	Bullock et al.	D16/239
D. 296,336	6/1988	Britt, Sr.	D16/239
4,320,439	3/1982	Wiley	362/3
4,675,791	6/1987	Montgomery	362/3

FOREIGN PATENT DOCUMENTS

0223036	8/1962	Austria	362/3
0477702	10/1969	Switzerland	362/3

OTHER PUBLICATIONS

Photography, Nov. 1965, p. 135.

Primary Examiner—Bernard Ansher
Assistant Examiner—Adir Aronovich
Attorney, Agent, or Firm—Cox & Smith Incorporated

[57] CLAIM

The ornamental design for reflective camera flash attachment, as shown and described.

DESCRIPTION

FIG. 1 is a front elevational view of a reflective camera flash attachment showing my new design in a ready to mount condition;

FIG. 2 is a left side elevational view thereof;

FIG. 3 is a right side elevational view thereof;

FIG. 4 is a top plan view thereof;

FIG. 5 is a rear elevational view thereof;

FIG. 6 is a bottom plan view thereof;

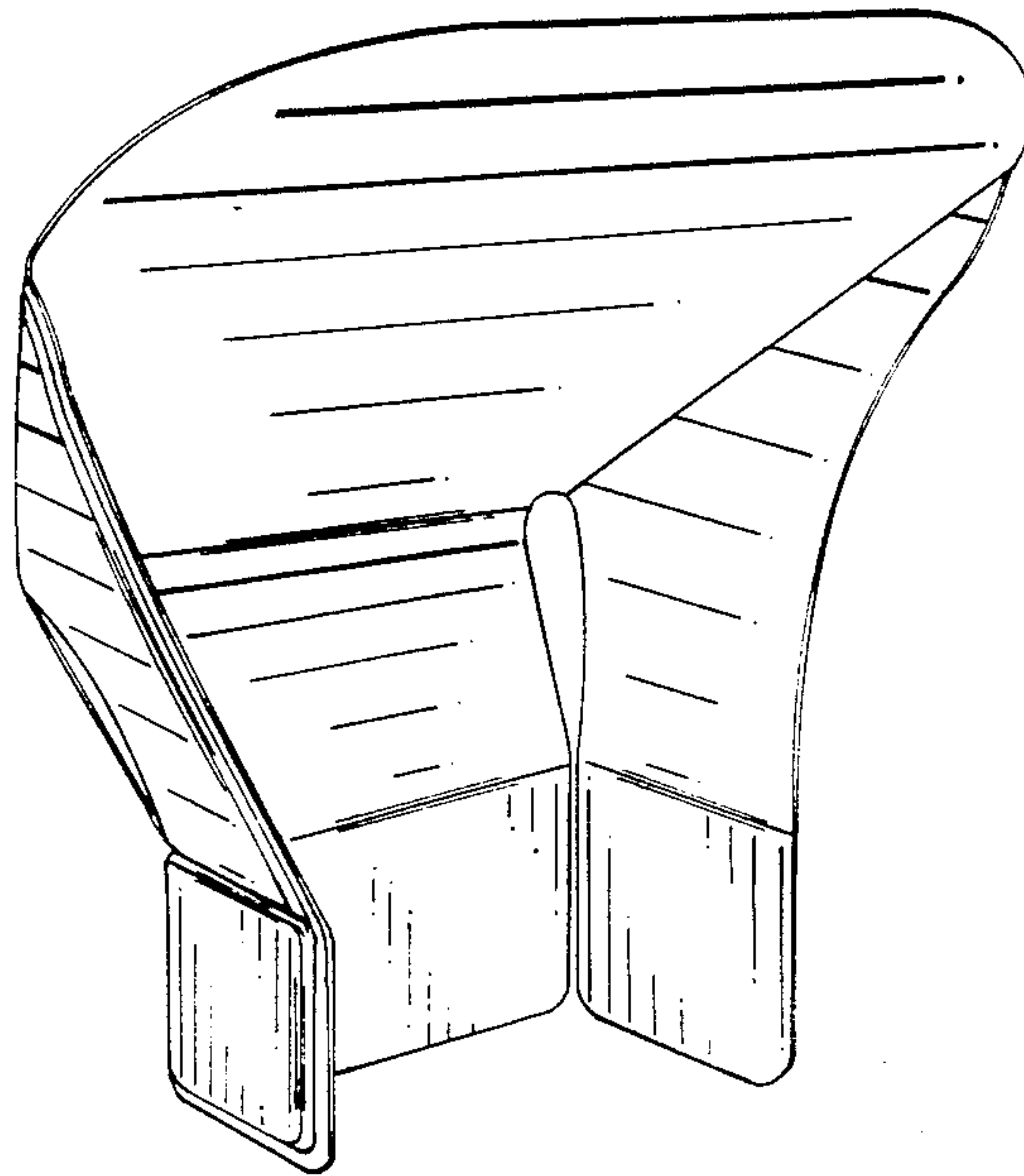
FIG. 7 is a front perspective view thereof;

FIG. 8 is a front elevational view with the camera flash attachment mounted on the flash unit;

FIG. 9 is a front elevational view thereof, in an unassembled condition shown for clarity of illustration; and

FIG. 10 is a front elevational view thereof, in a fully assembled condition.

The broken line showing of the flash unit is for illustrative purposes only and forms no part of the claimed design.



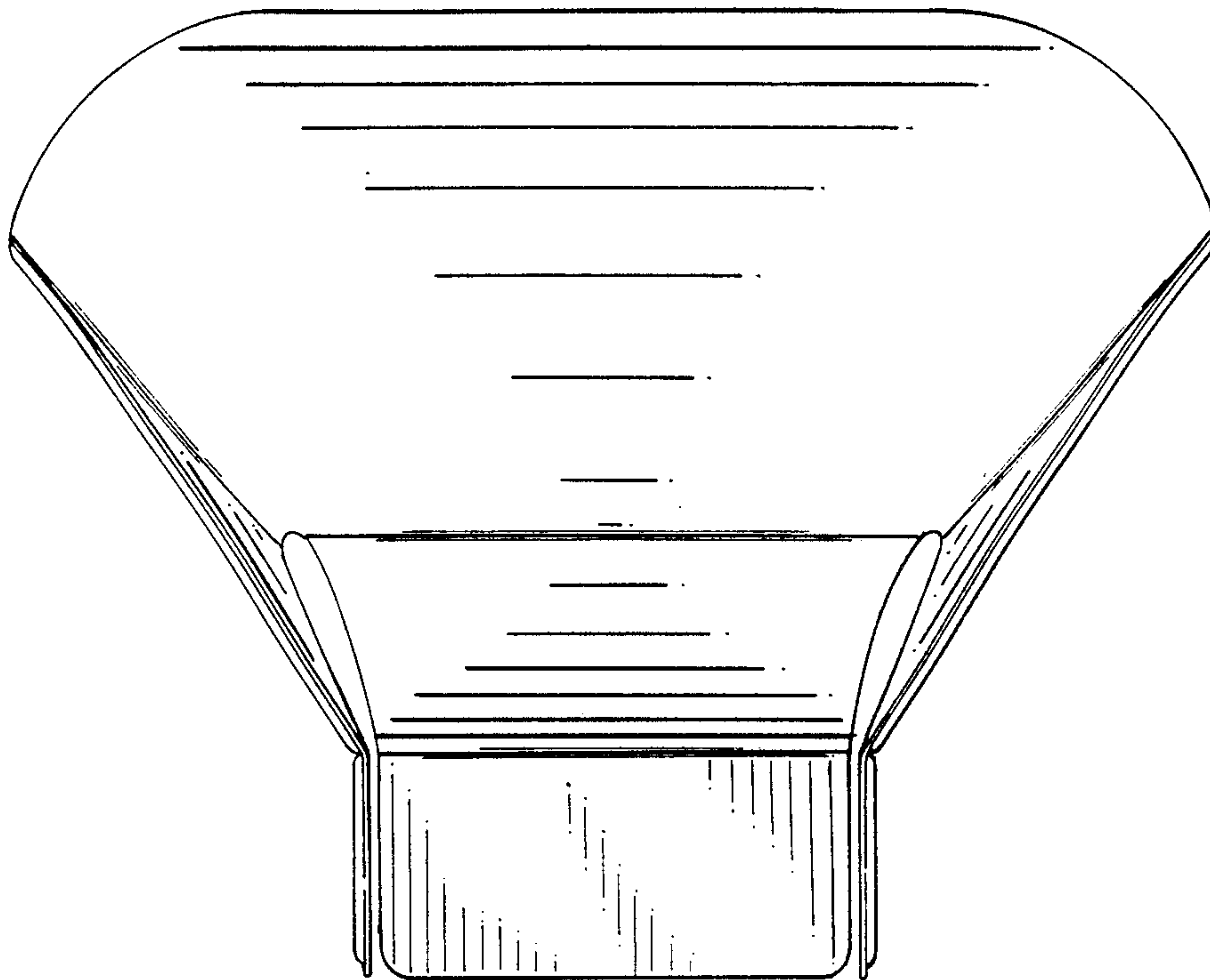


FIG. 1

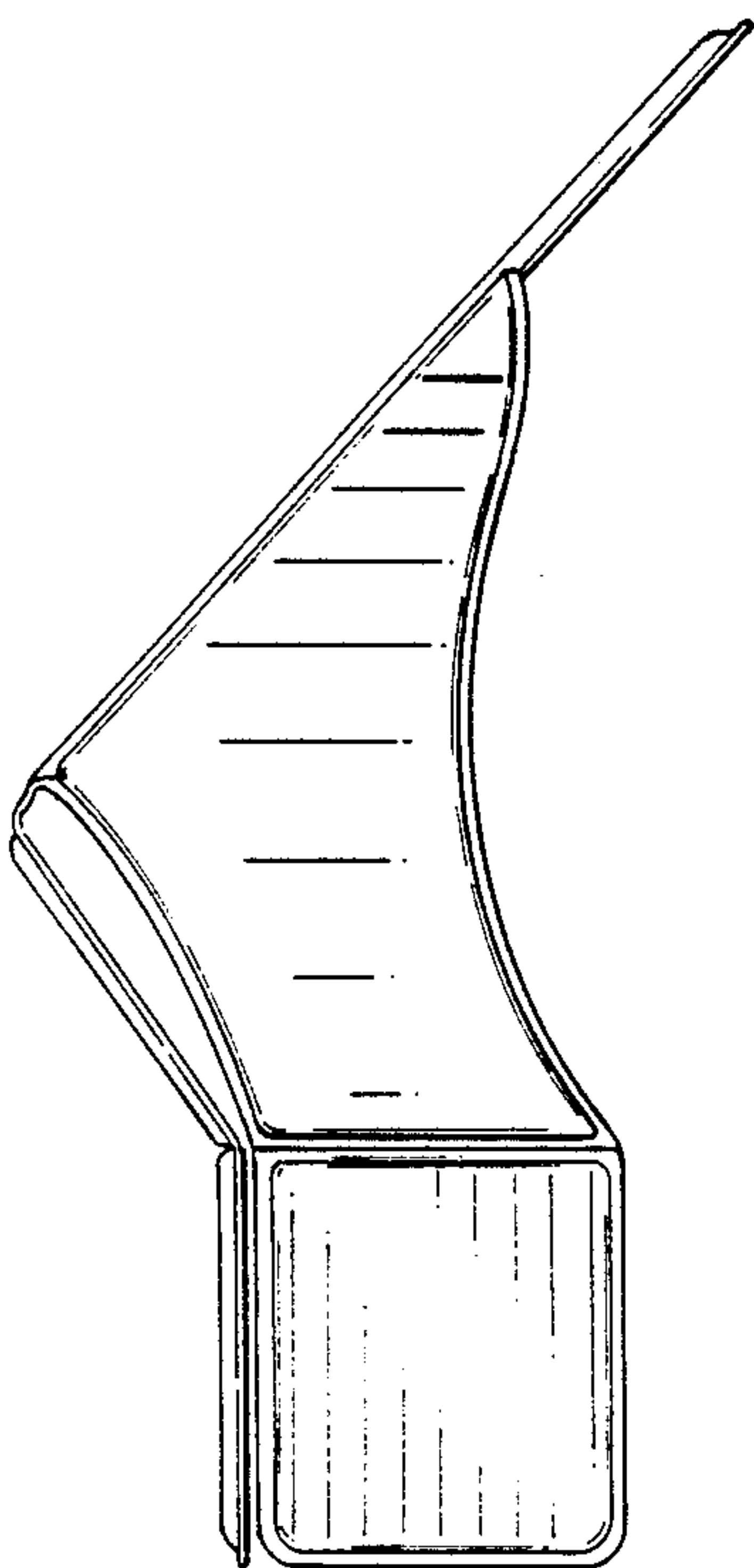


FIG. 2

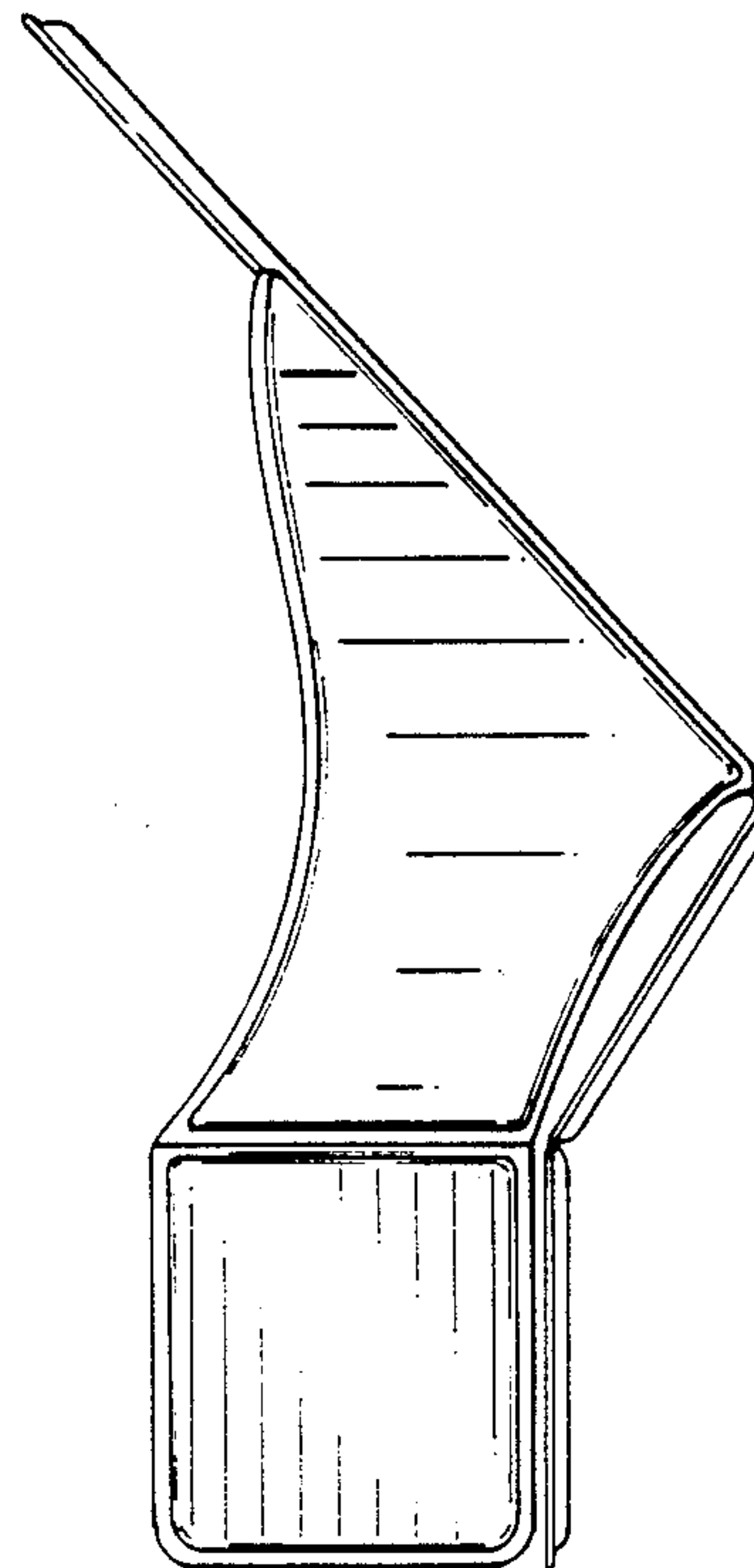


FIG. 3

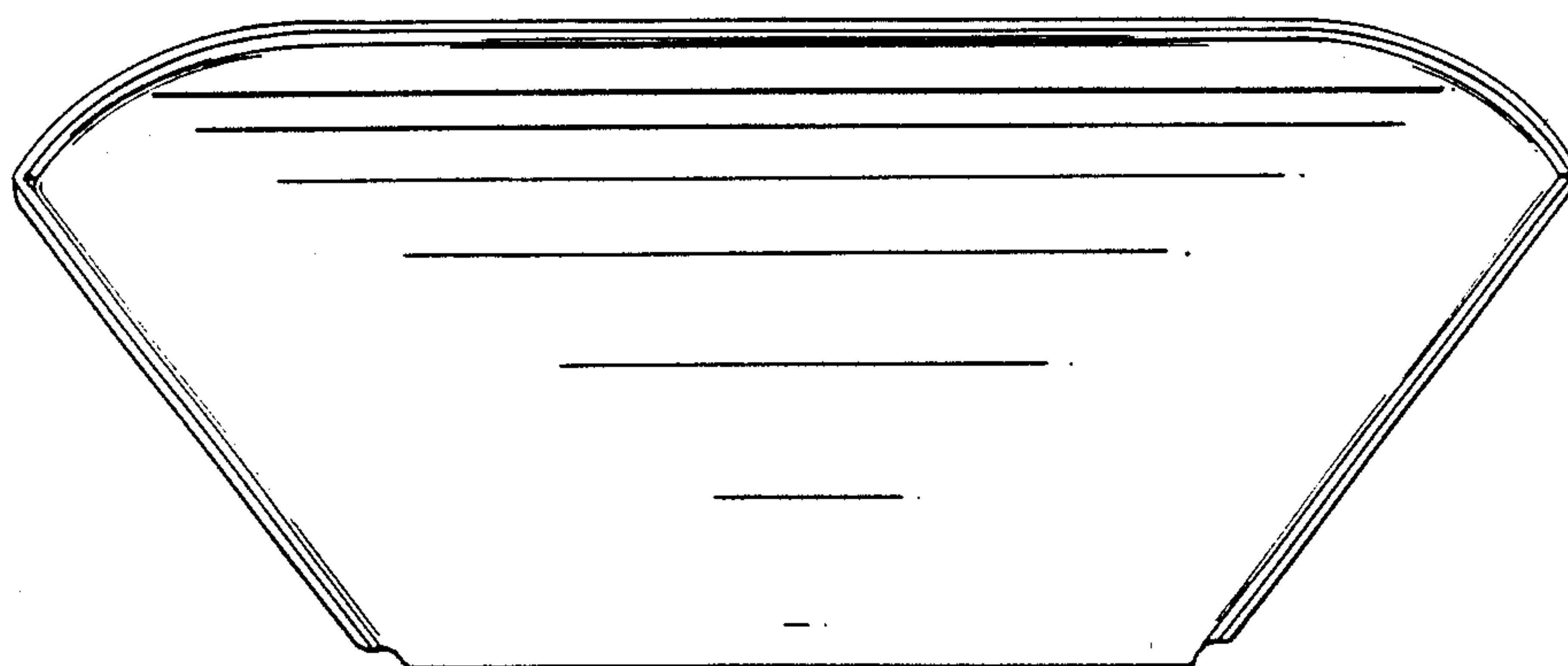


FIG. 4

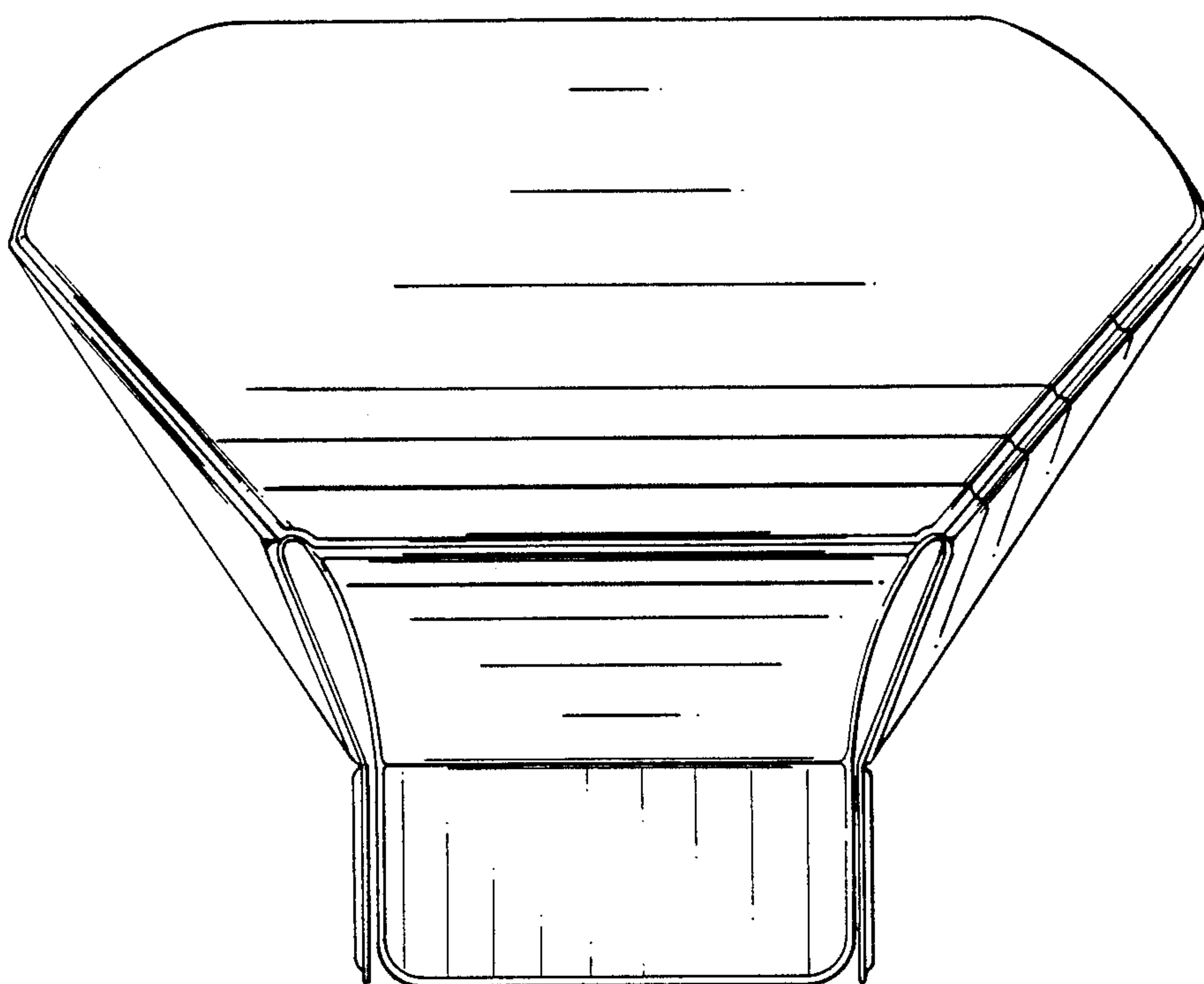


FIG. 5

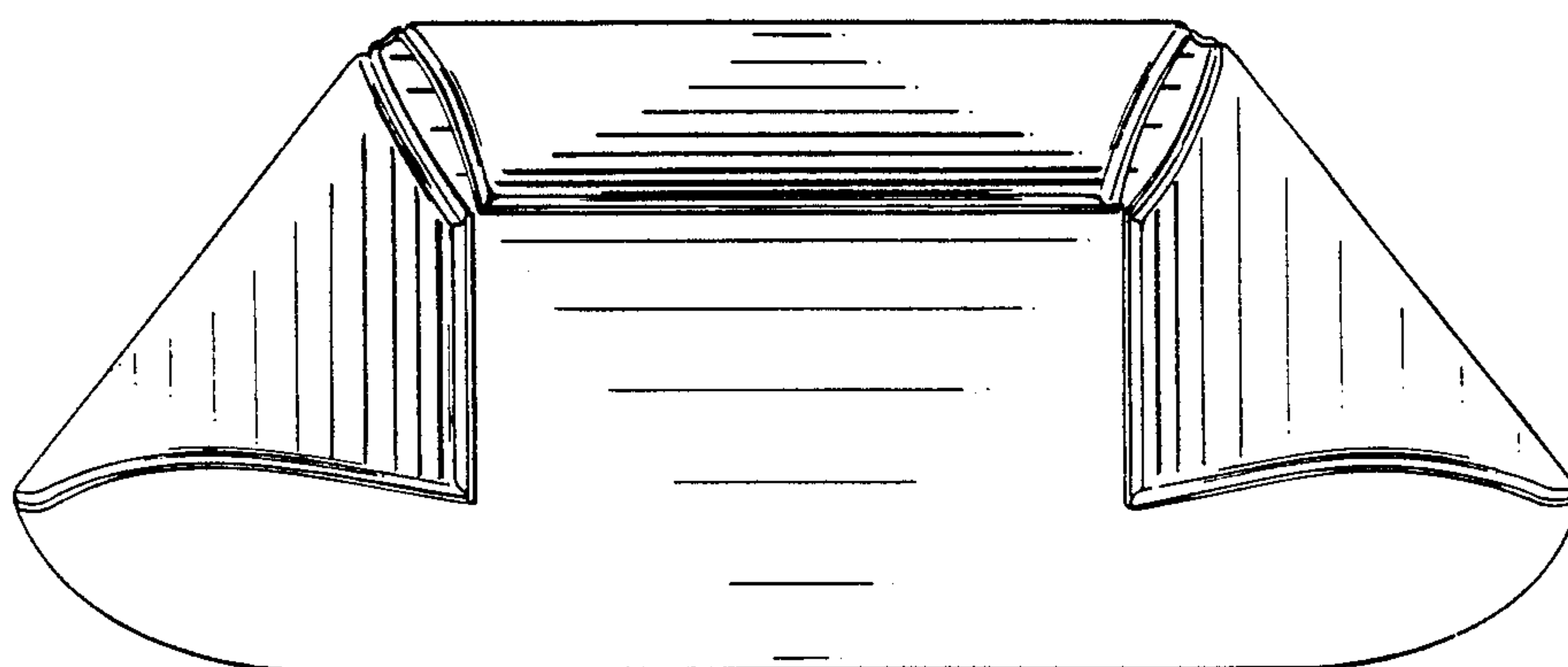


FIG. 6

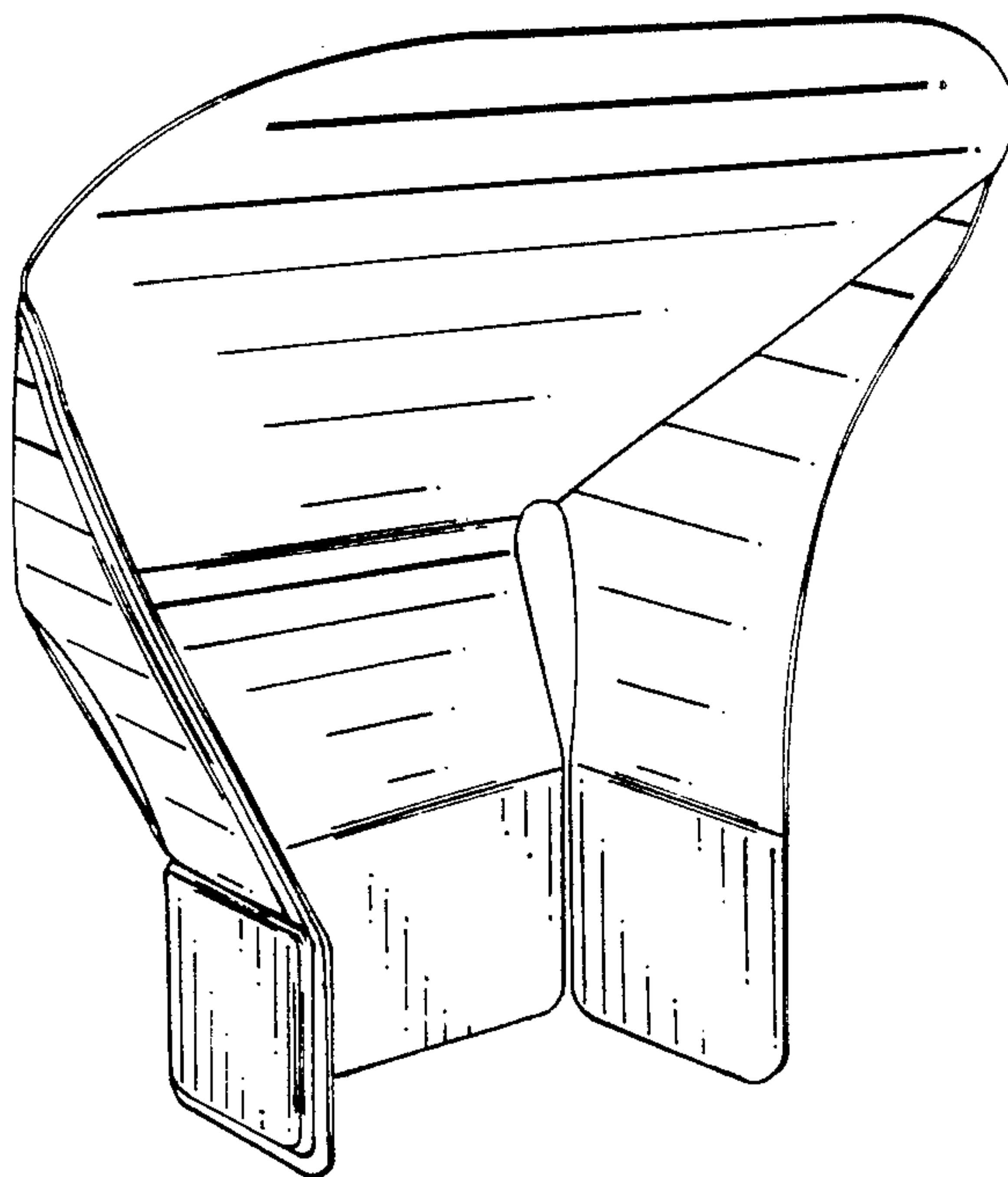


FIG. 7

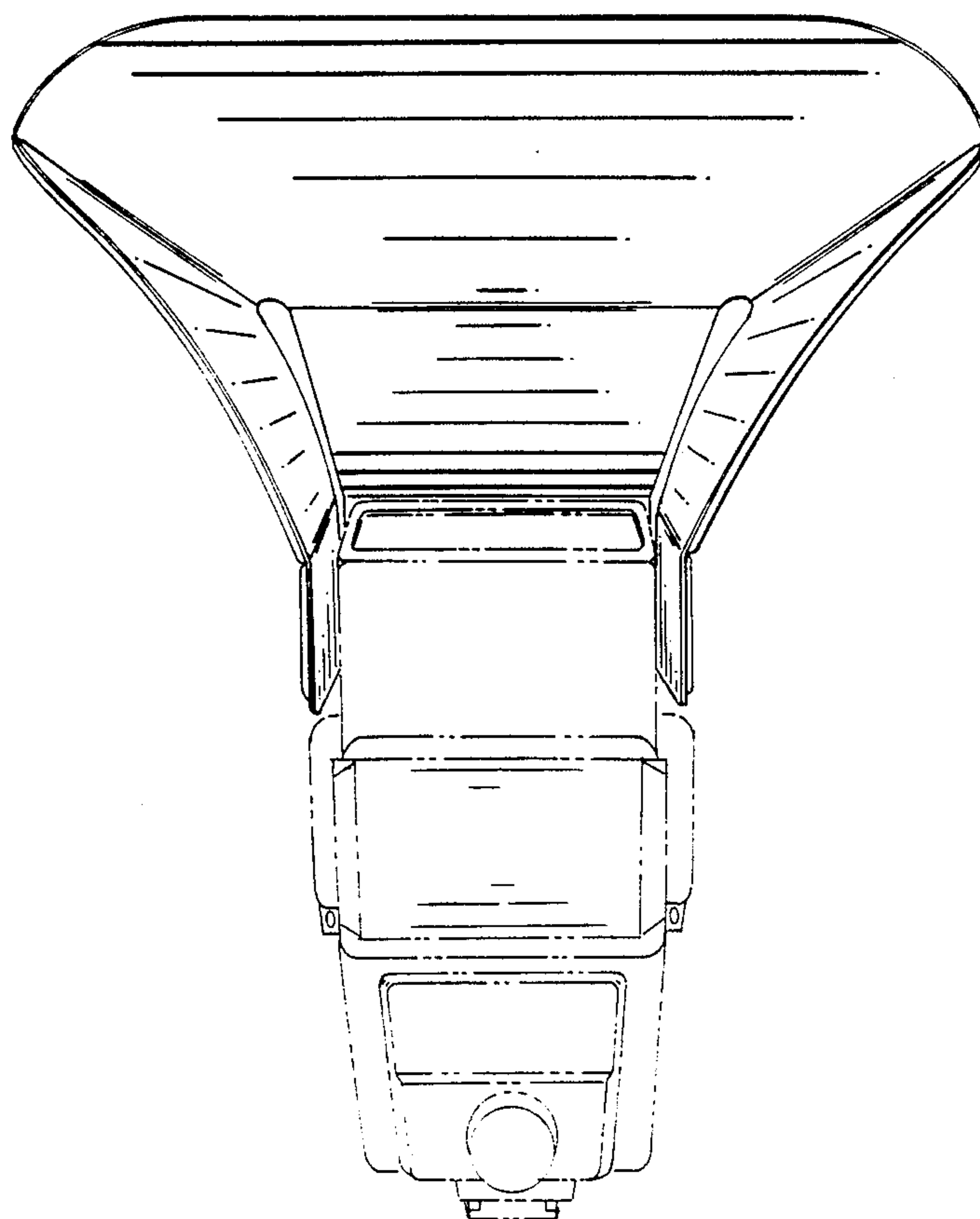


FIG. 8

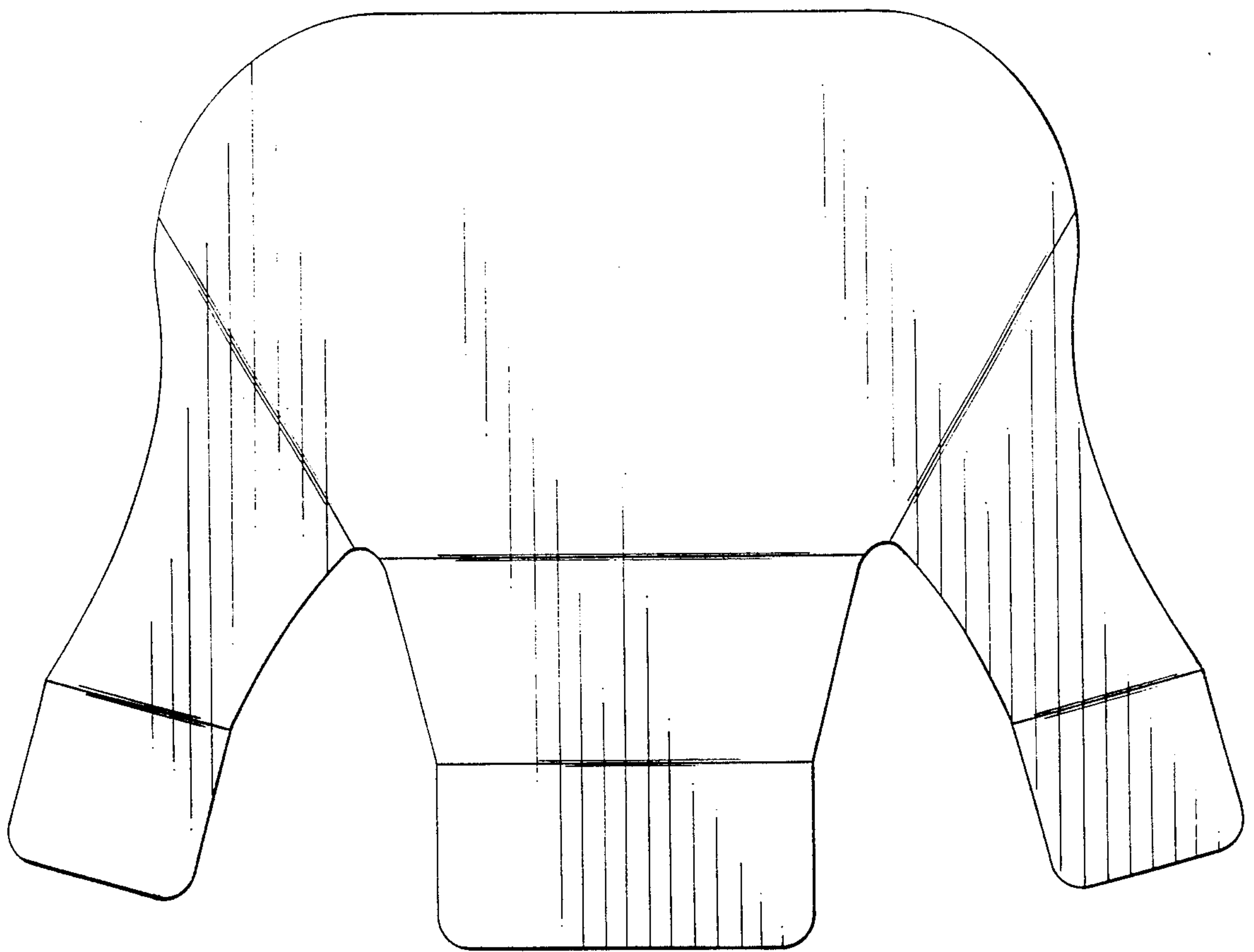


FIG. 9

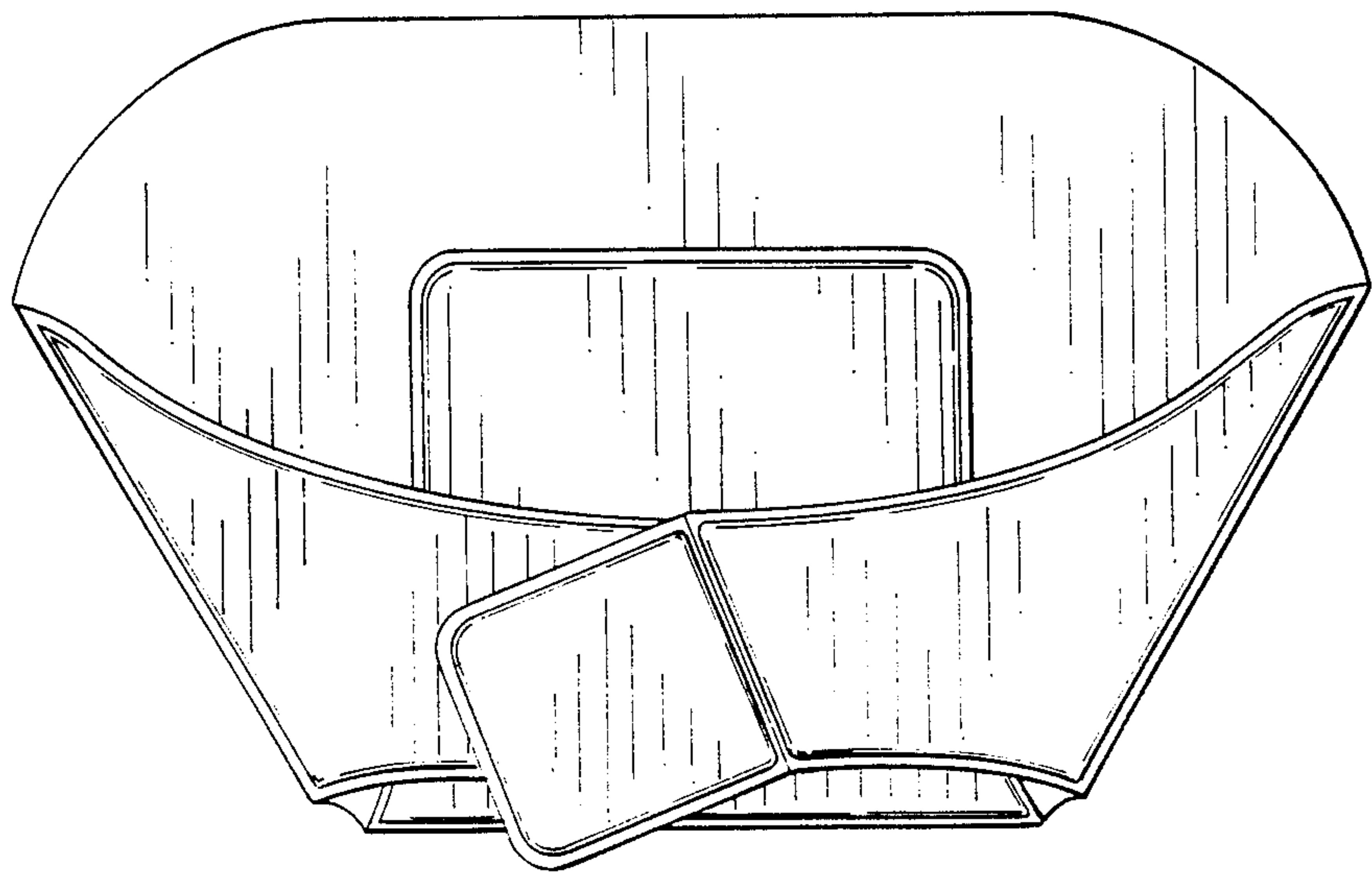


FIG. 10