

[54] EYEGLASSES

[76] Inventor: Frank Villafan, 13190 Rd. 24, Madera, Calif. 93637

[\*\*] Term: 14 Years

[21] Appl. No.: 195,530

[22] Filed: May 18, 1988

[52] U.S. Cl. .... D16/102; D16/104

[58] Field of Search ..... D16/101-123, D16/125-128; D29/17; 351/41, 44-47, 50-52, 57, 58, 65, 68, 83, 85, 87, 88, 90, 102, 103, 106-109, 111, 114, 119, 123, 124; 2/426, 431, 433, 435, 440, 448-451, 9, 13, 15

[56] References Cited

U.S. PATENT DOCUMENTS

4,715,702 12/1987 Dillon ..... 351/44

OTHER PUBLICATIONS

Optician, 7-22-88, p. 30, Specsavers Opticians' advertisement.

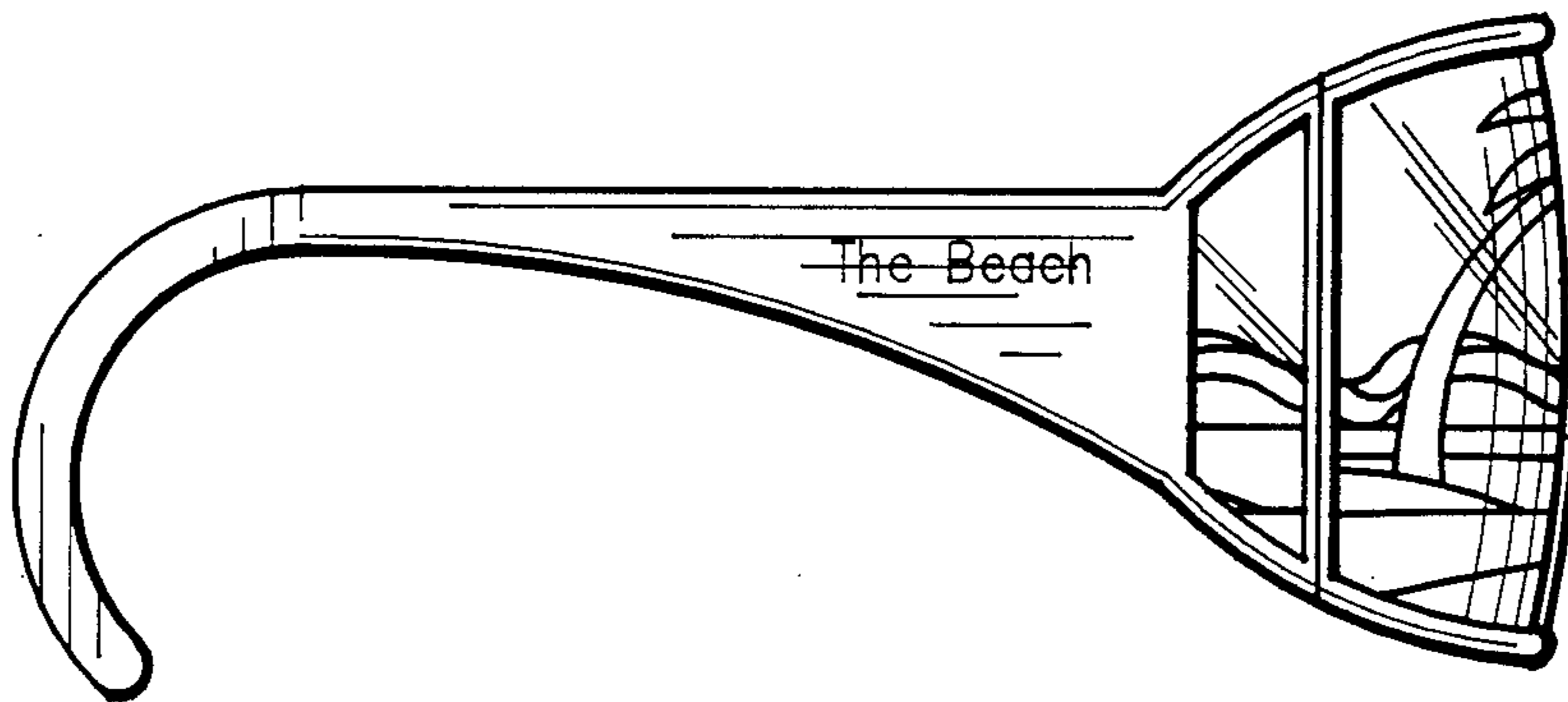
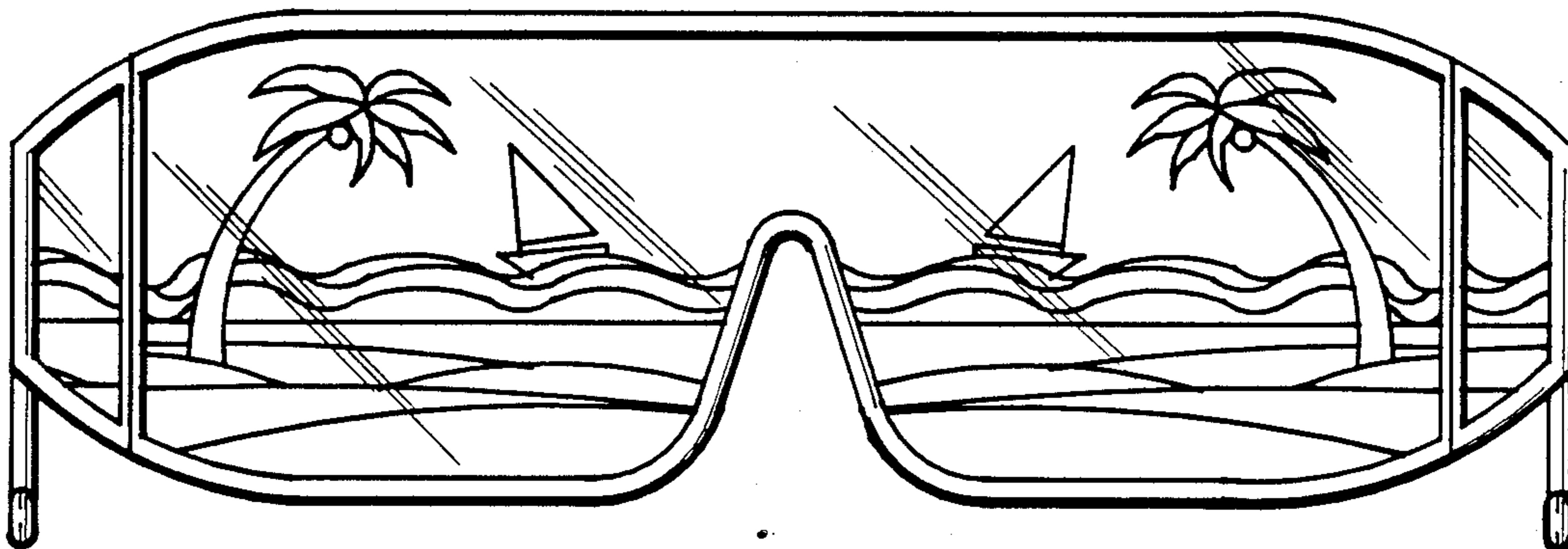
Primary Examiner—Carmen H. Vales-Lado  
Attorney, Agent, or Firm—Jerry T. Kearns

[57] CLAIM

The ornamental design for eyeglasses, as shown and described.

DESCRIPTION

FIG. 1 is a front elevational view of eyeglasses showing my new design;  
FIG. 2 is a rear elevational view thereof;  
FIG. 3 is a left side elevational view thereof;  
FIG. 4 is a right side elevational view thereof;  
FIG. 5 is a top plan view thereof; and,  
FIG. 6 is a bottom plan view thereof.



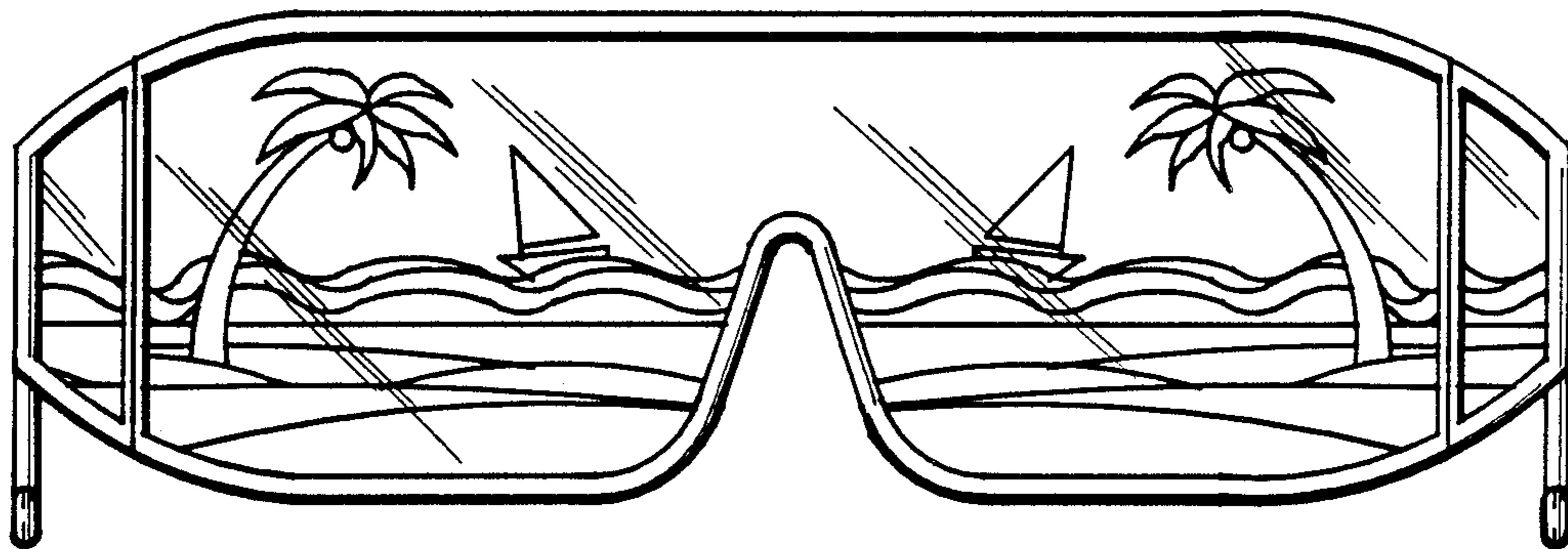


Fig. 1

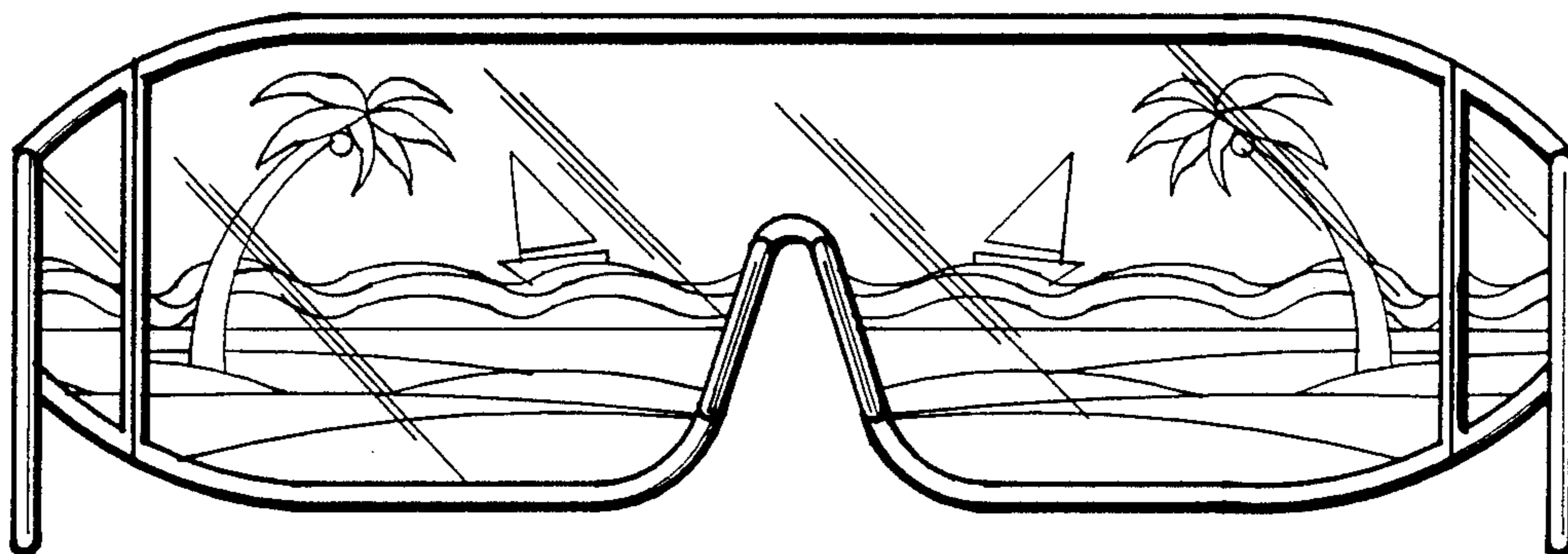


Fig. 2

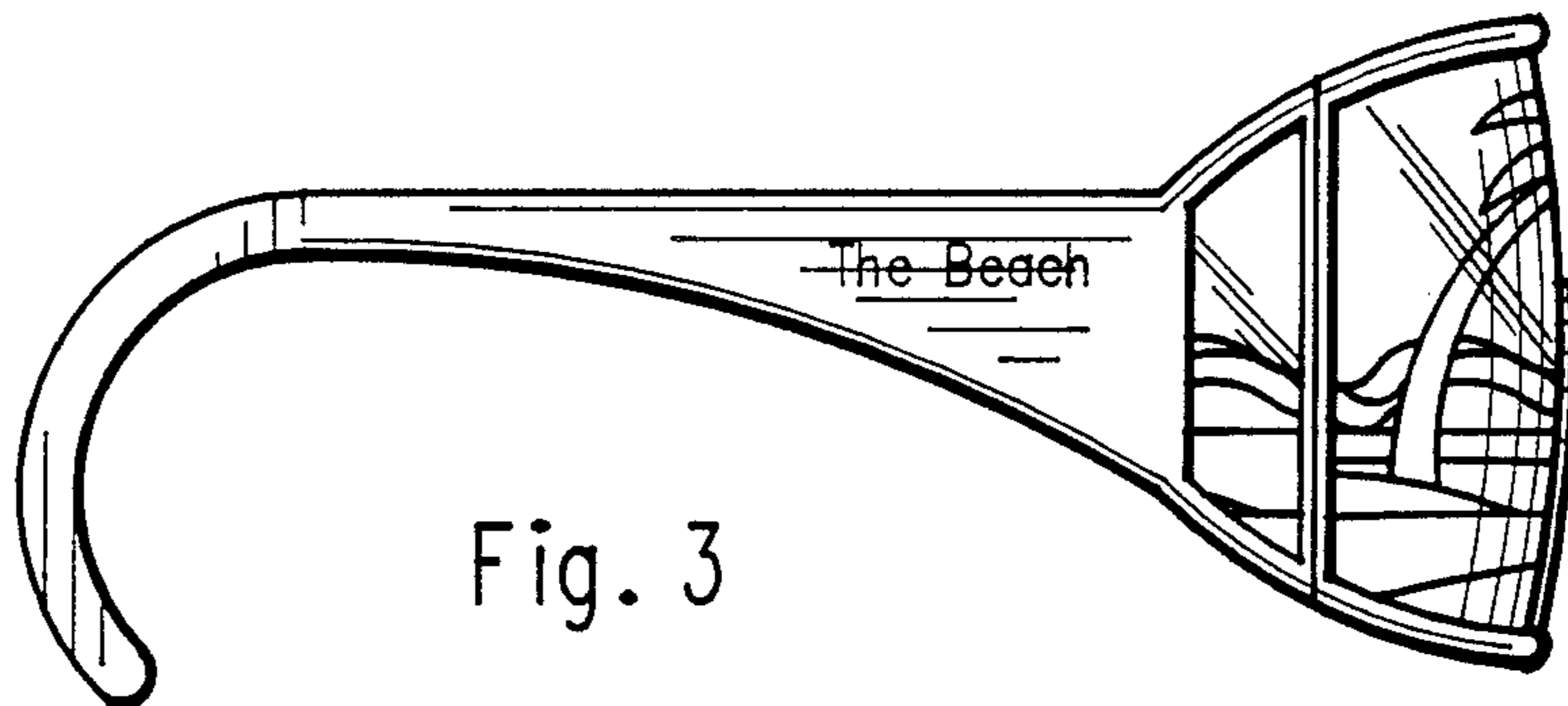


Fig. 3

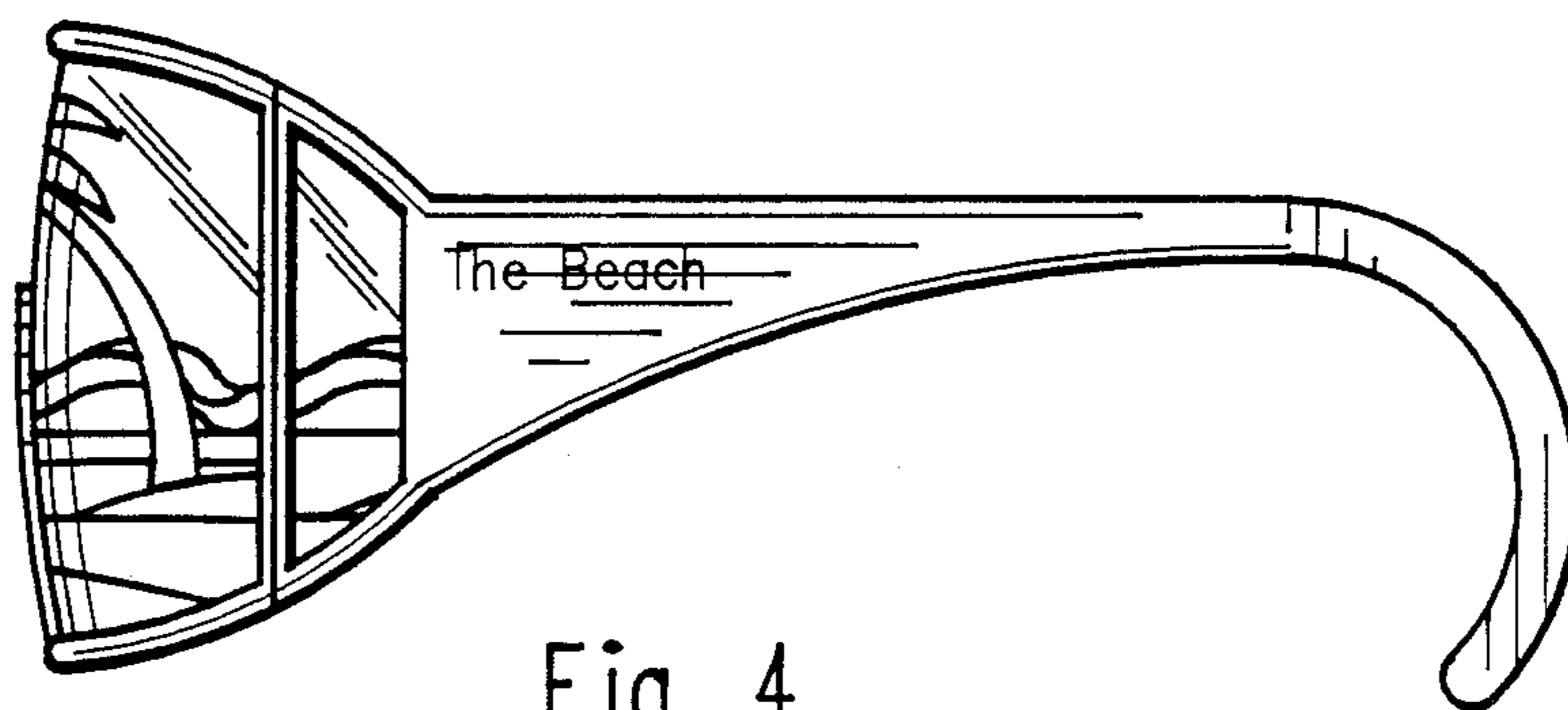


Fig. 4

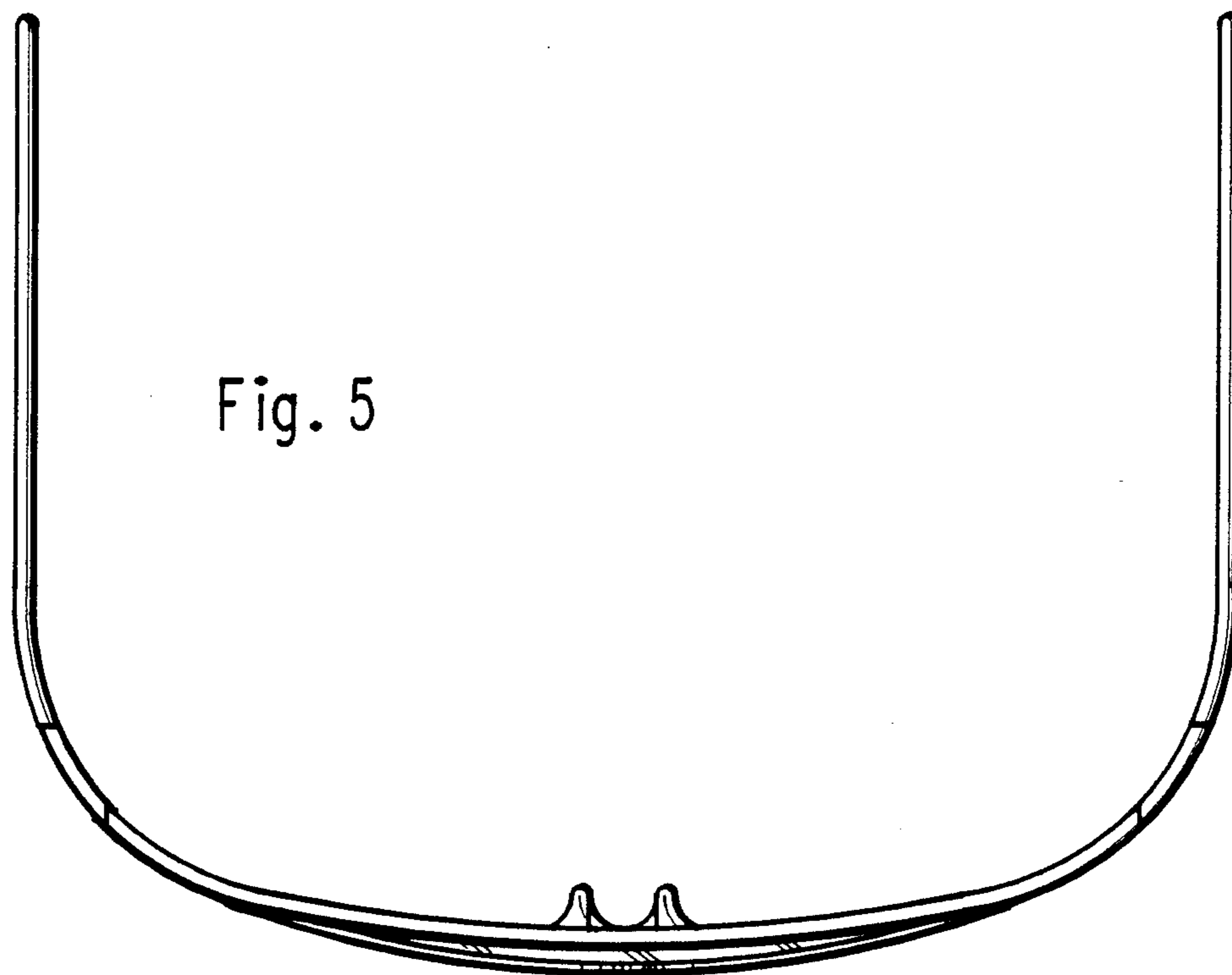


Fig. 5

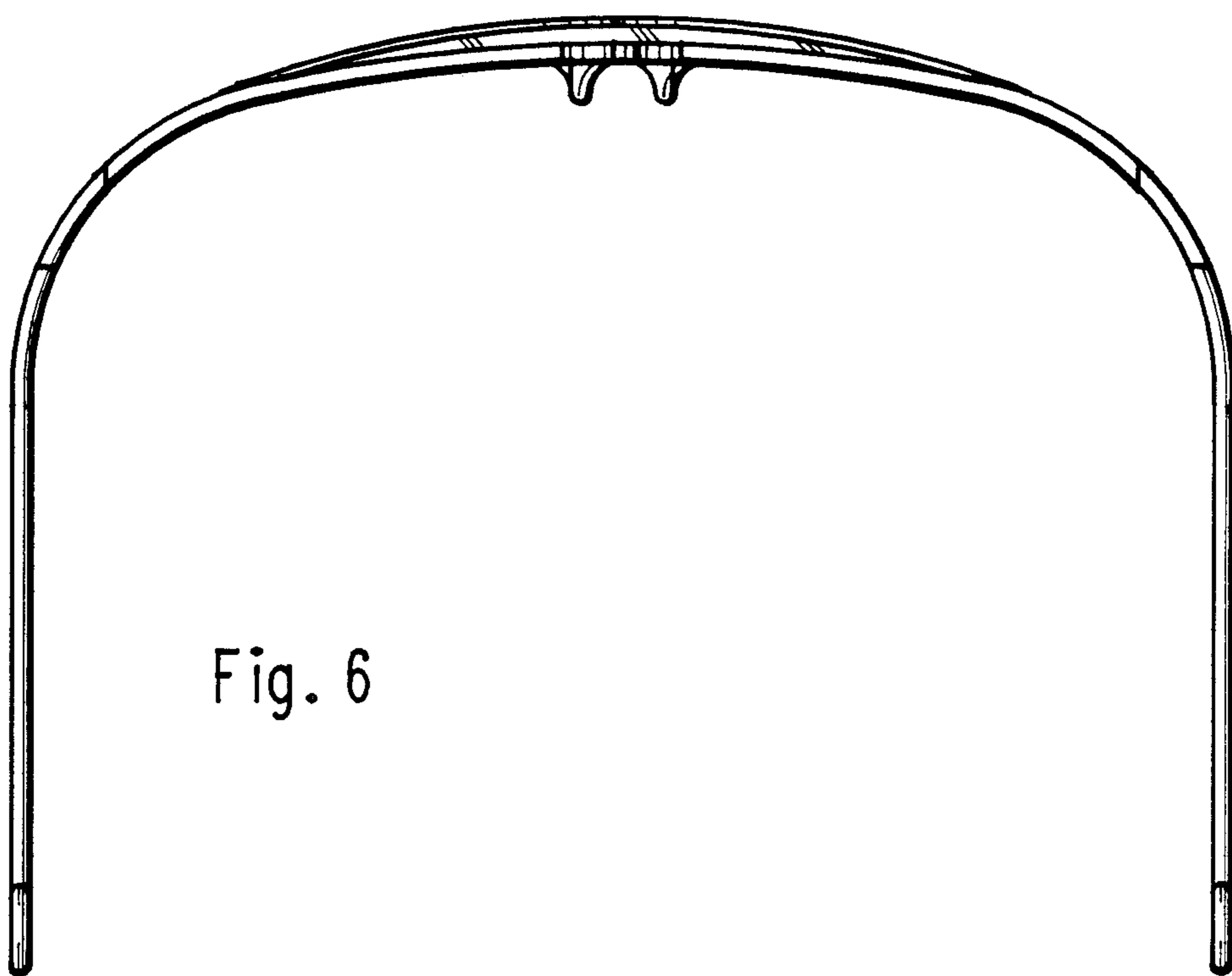


Fig. 6