

[54] POWER SHOVEL

[56]

References Cited

[75] Inventors: Masao Masumoto; Yoshinobu Tabuchi, both of Sakai; Kazuhiko Tsuji, Izumi; Shiro Sugiyama, Osaka, all of Japan

U.S. PATENT DOCUMENTS

D. 273,384	4/1984	Nasu et al.	D15/25
4,541,161	9/1985	Shimoie	37/103
4,728,251	3/1988	Takashima et al.	414/694
4,776,750	10/1988	Griswold et al.	37/103

[73] Assignee: Kubota, Ltd., Osaka, Japan

Primary Examiner—B. J. Bullock
Assistant Examiner—Sandra Morris
Attorney, Agent, or Firm—Jordan and Hamburg

[**] Term: 14 Years

[57] CLAIM

[21] Appl. No.: 46,415

The ornamental design for a power shovel, as shown and described.

[22] Filed: May 4, 1987

DESCRIPTION

[30] Foreign Application Priority Data

Nov. 10, 1986 [JP] Japan 61-44404

[52] U.S. Cl. D15/25

[58] Field of Search D15/10, 22, 23, 24,
D15/25; 37/103; 180/326; 414/685, 687, 688,
694, 722

FIG. 1 is a right side elevational view of a power shovel, showing our new design;
FIG. 2 is a left side elevational view thereof;
FIG. 3 is a top plan view thereof;
FIG. 4 is a front elevational view thereof; and
FIG. 5 is a rear elevational view thereof.

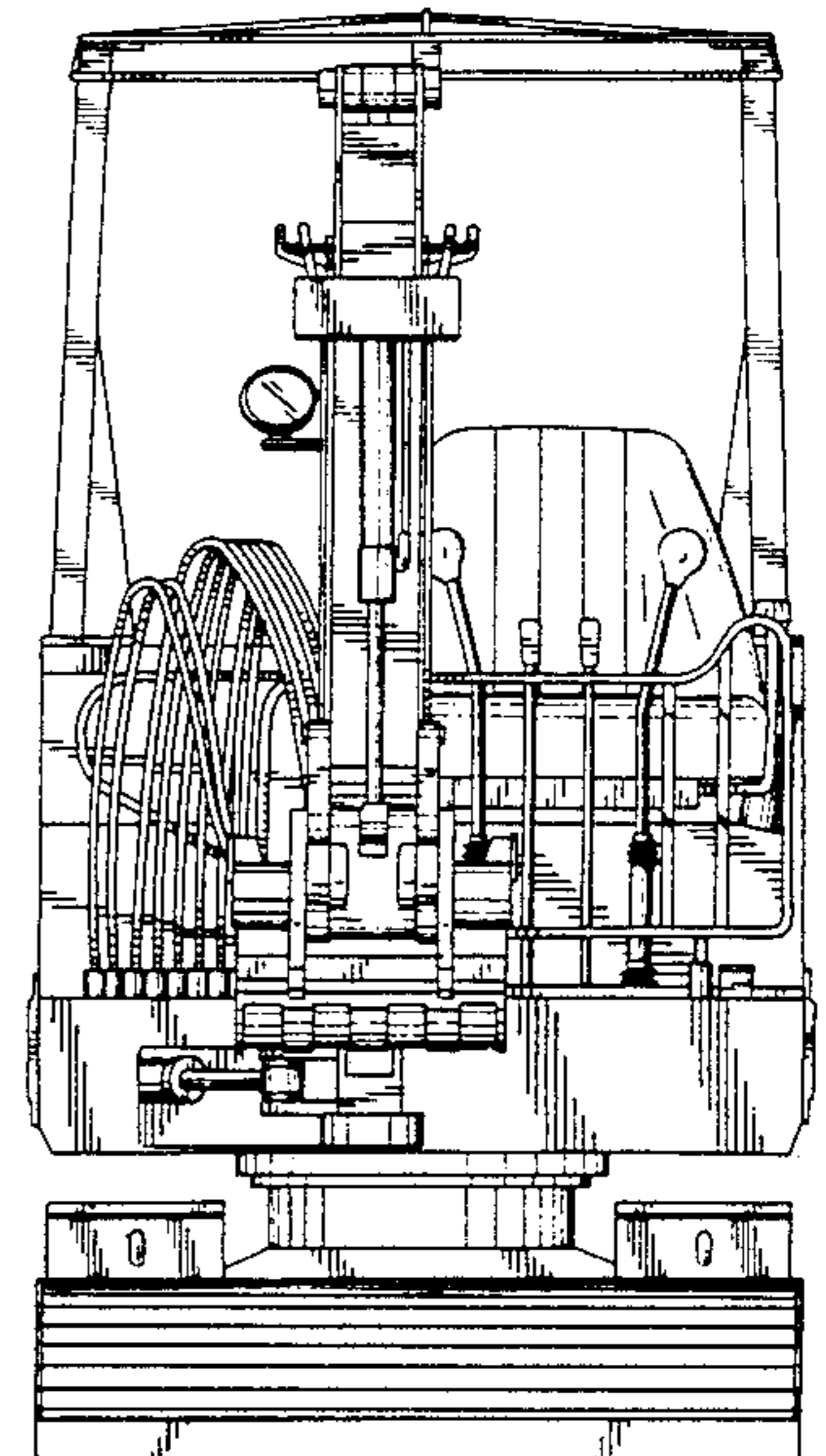
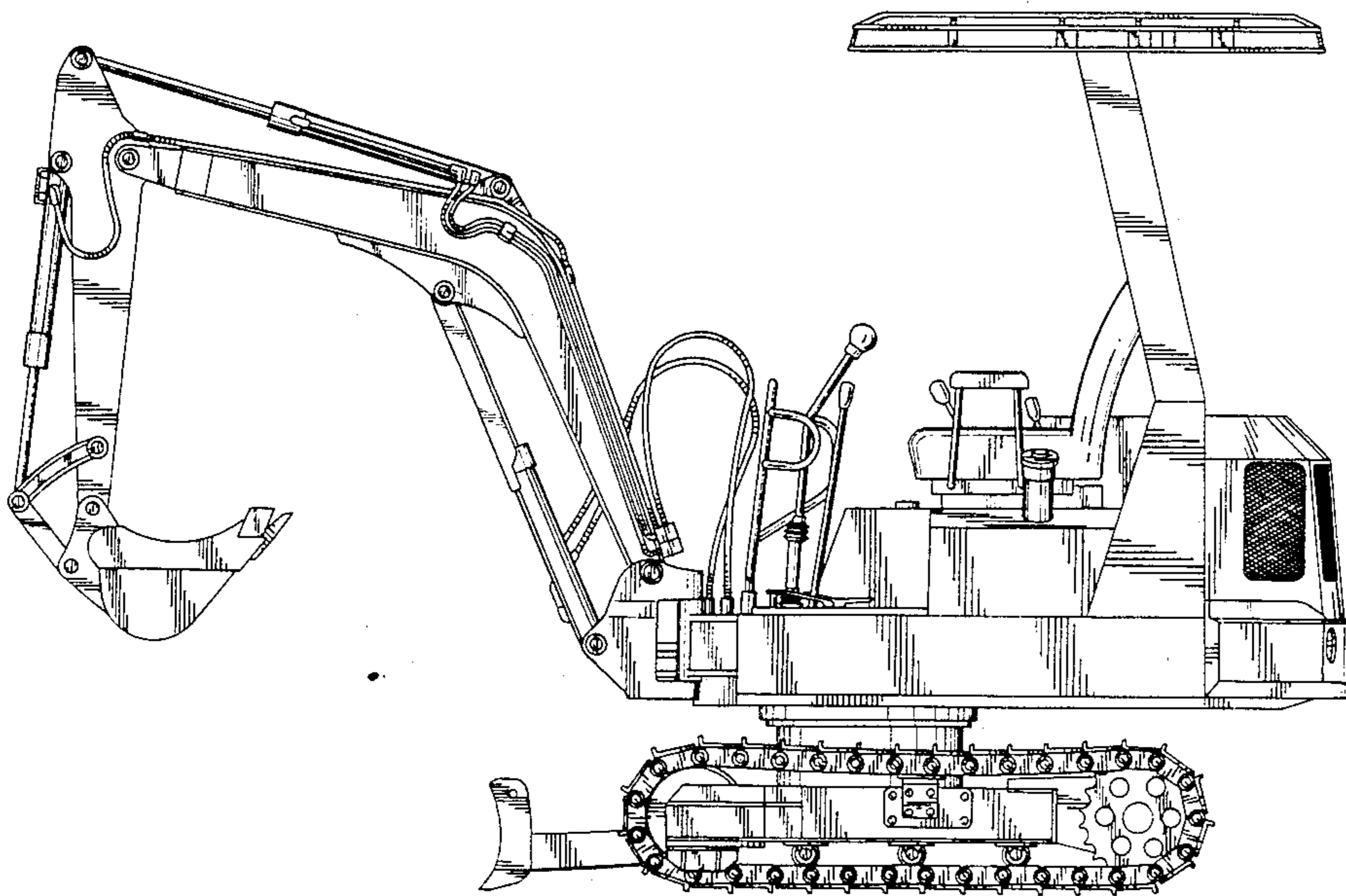


Fig. 1

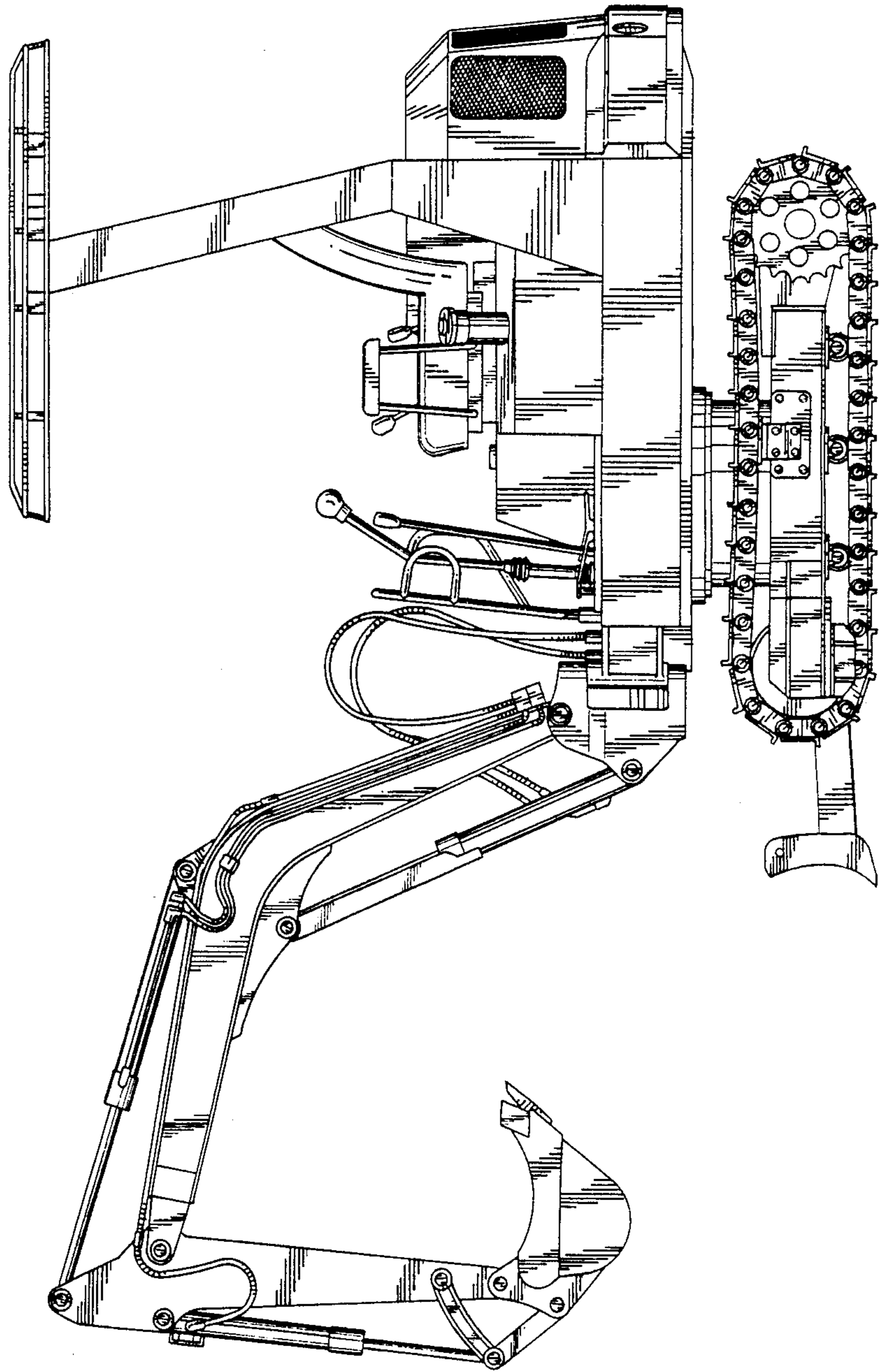


Fig. 2

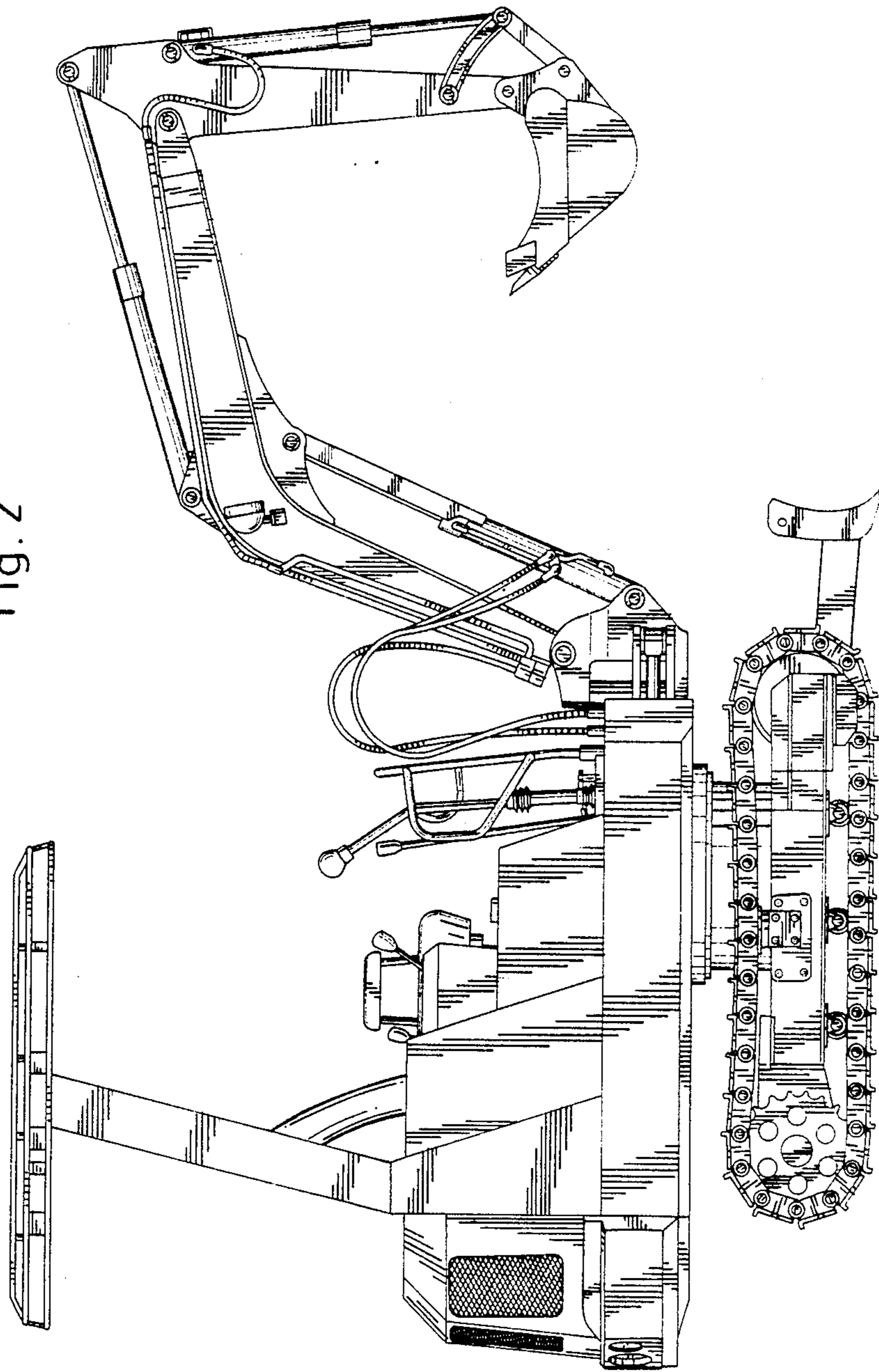


Fig. 3

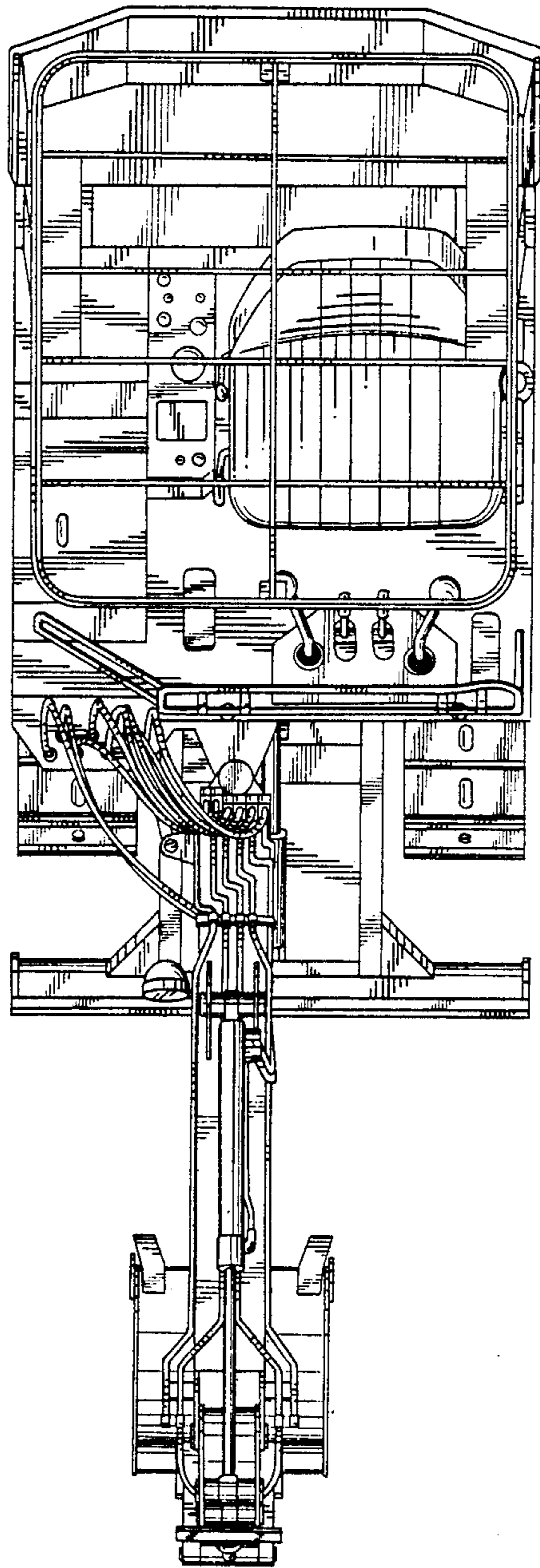


Fig. 5

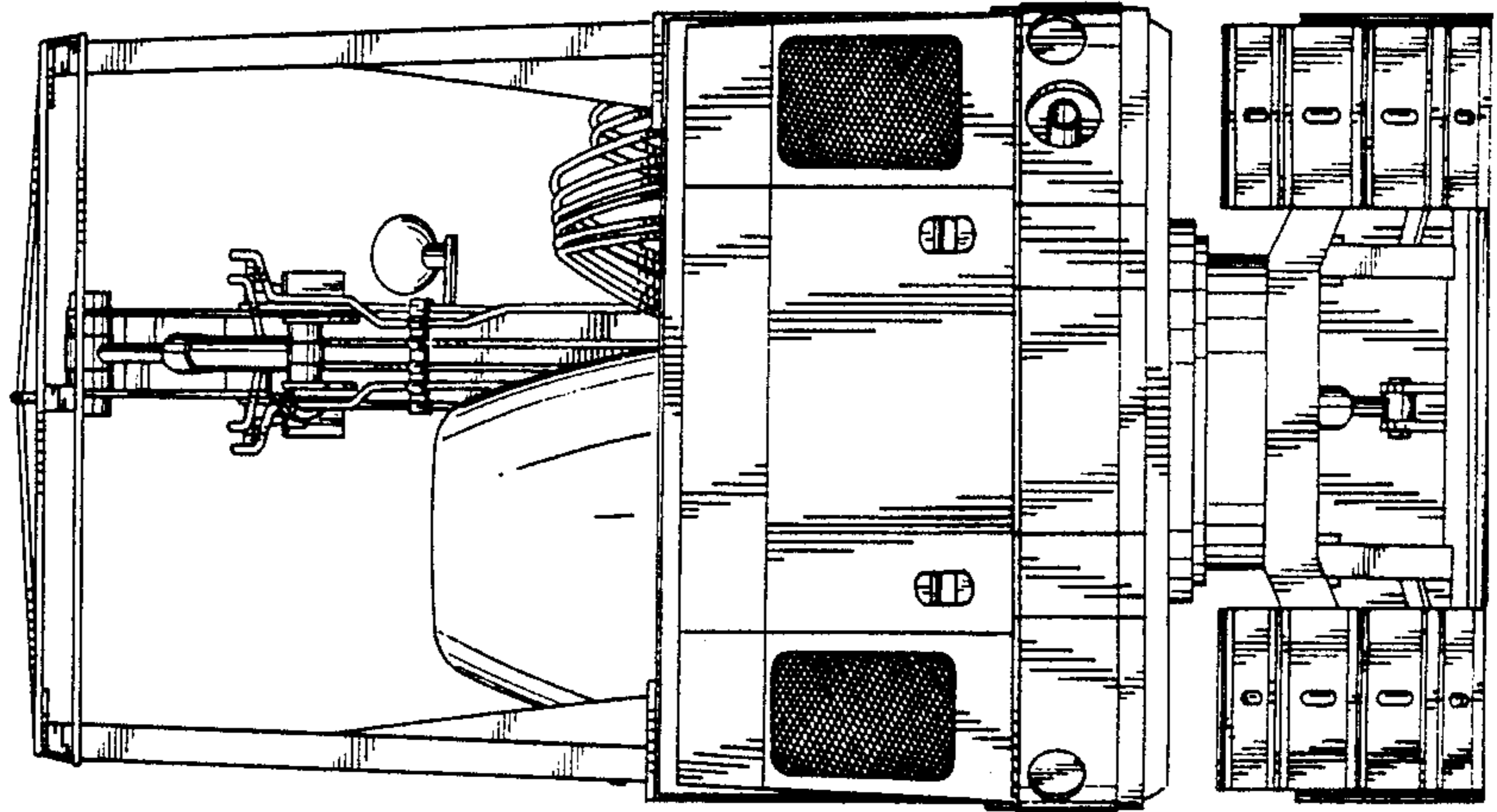


Fig. 4

