

United States Patent [19]

Schmidt et al.

[11] Patent Number: **Des. 312,467**

[45] Date of Patent: **** Nov. 27, 1990**

[54] **AGRICULTURAL VEHICLE CAB AND HOOD UNIT**

[75] Inventors: **Donald K. Schmidt; William D. Long; Michael A. Vig**, all of Bismarck, N. Dak.

[73] Assignee: **Clark Equipment Company**, South Bend, Ind.

[**] Term: **14 Years**

[21] Appl. No.: **51,012**

[22] Filed: **May 18, 1987**

[52] U.S. Cl. **D15/30**

[58] Field of Search **D15/10, 15, 23, 25, D15/30-33; 180/89.12, 69.2, 69.22, 69.24-69.25; 296/190; 56/244, 249, 255-257, 264, 13.3-13.4, DIG. 22; D12/96**

[56] **References Cited**

U.S. PATENT DOCUMENTS

D. 225,521 12/1972 Lorenz D15/23

D. 245,983 10/1977 Stone et al. D15/30
D. 256,364 8/1980 Kuhn D15/30
D. 256,801 9/1980 Skyer et al. D15/23

Primary Examiner—Louis S. Zarfaz
Assistant Examiner—Ruth McInroy
Attorney, Agent, or Firm—Kinney & Lange

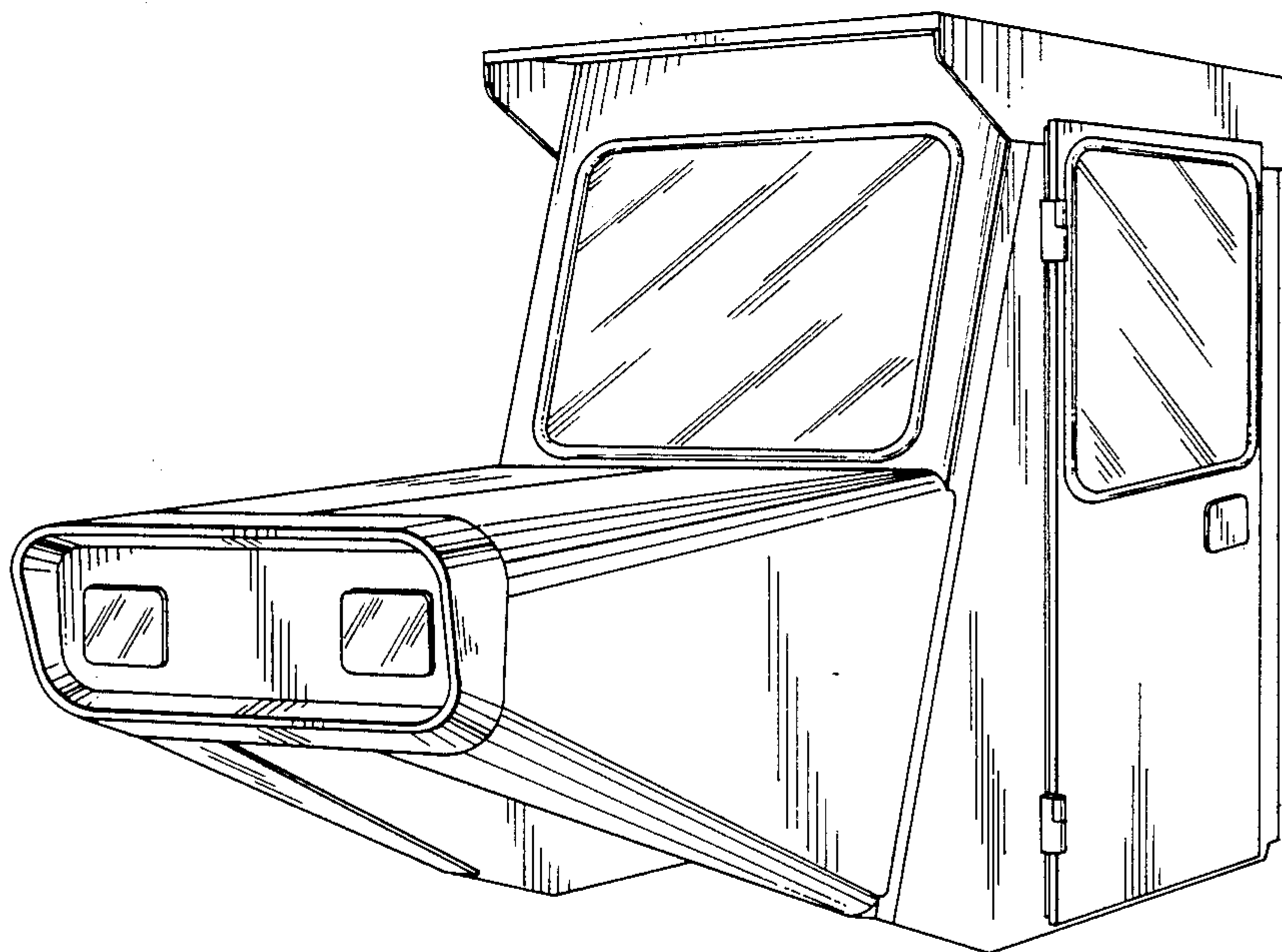
[57] **CLAIM**

The ornamental design for an agricultural vehicle cab and hood unit, as shown and described.

DESCRIPTION

FIG. 1 is a front perspective view of an agricultural vehicle cab and hood unit showing our new design; FIG. 2 is a left side elevational view thereof; FIG. 3 is a right side elevational view thereof; FIG. 4 is a front elevational view thereof; FIG. 5 is a rear elevational view thereof; and FIG. 6 is a top plan view thereof.

The portion of the vehicle shown in broken lines in FIG. 2 is for illustrative purposes only and forms no part of the claimed design.



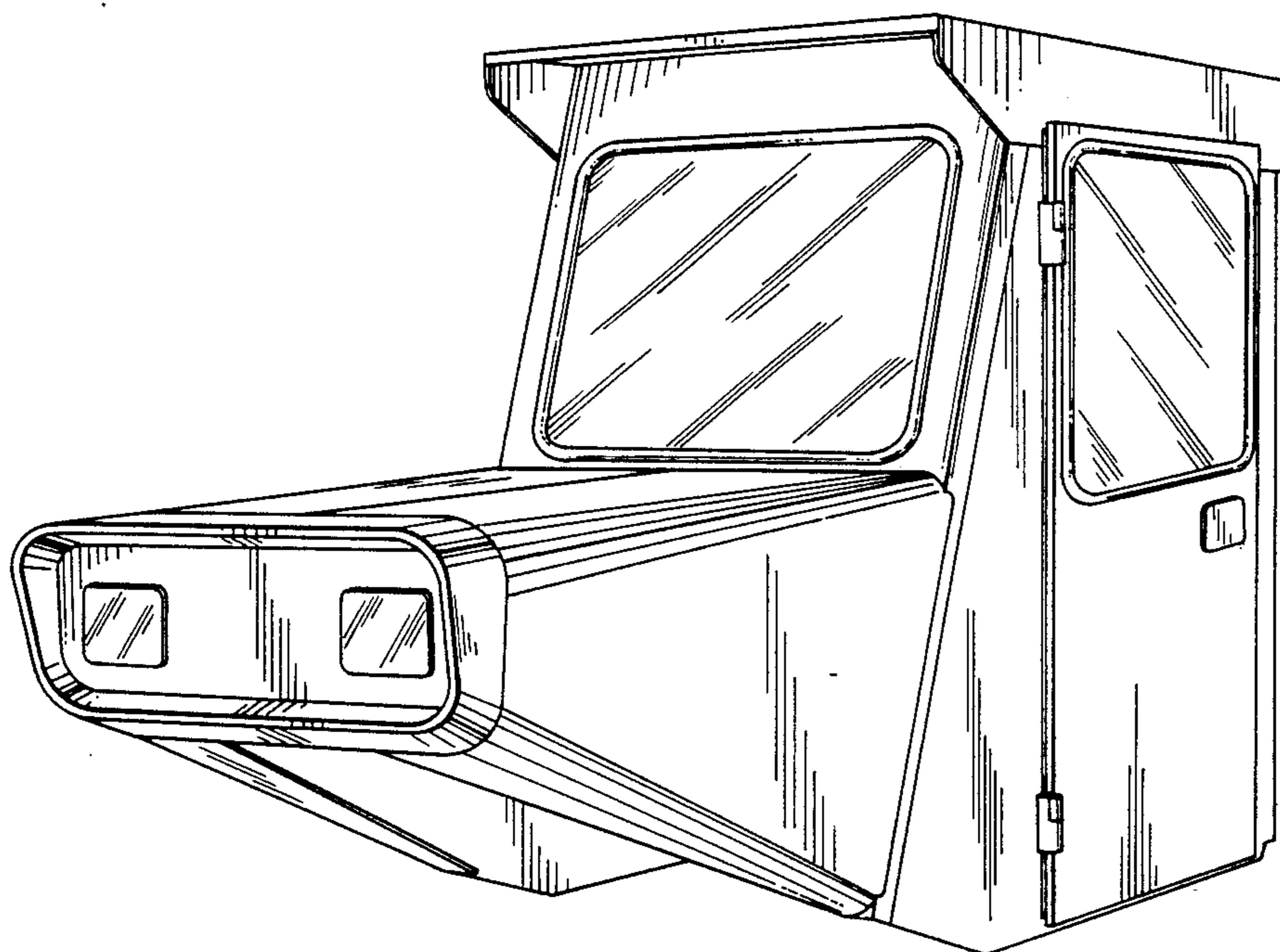


Fig. 1.

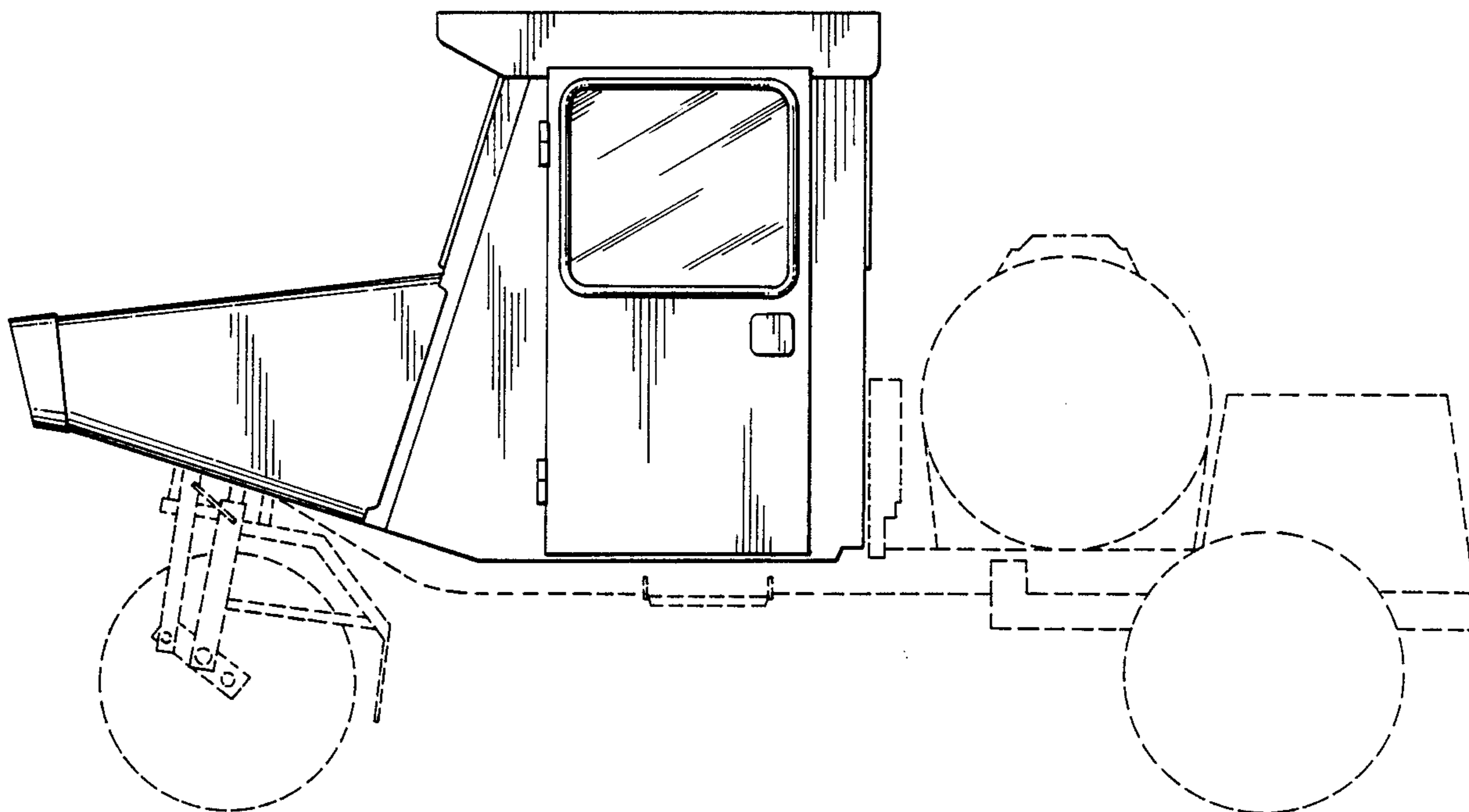


Fig. 2.

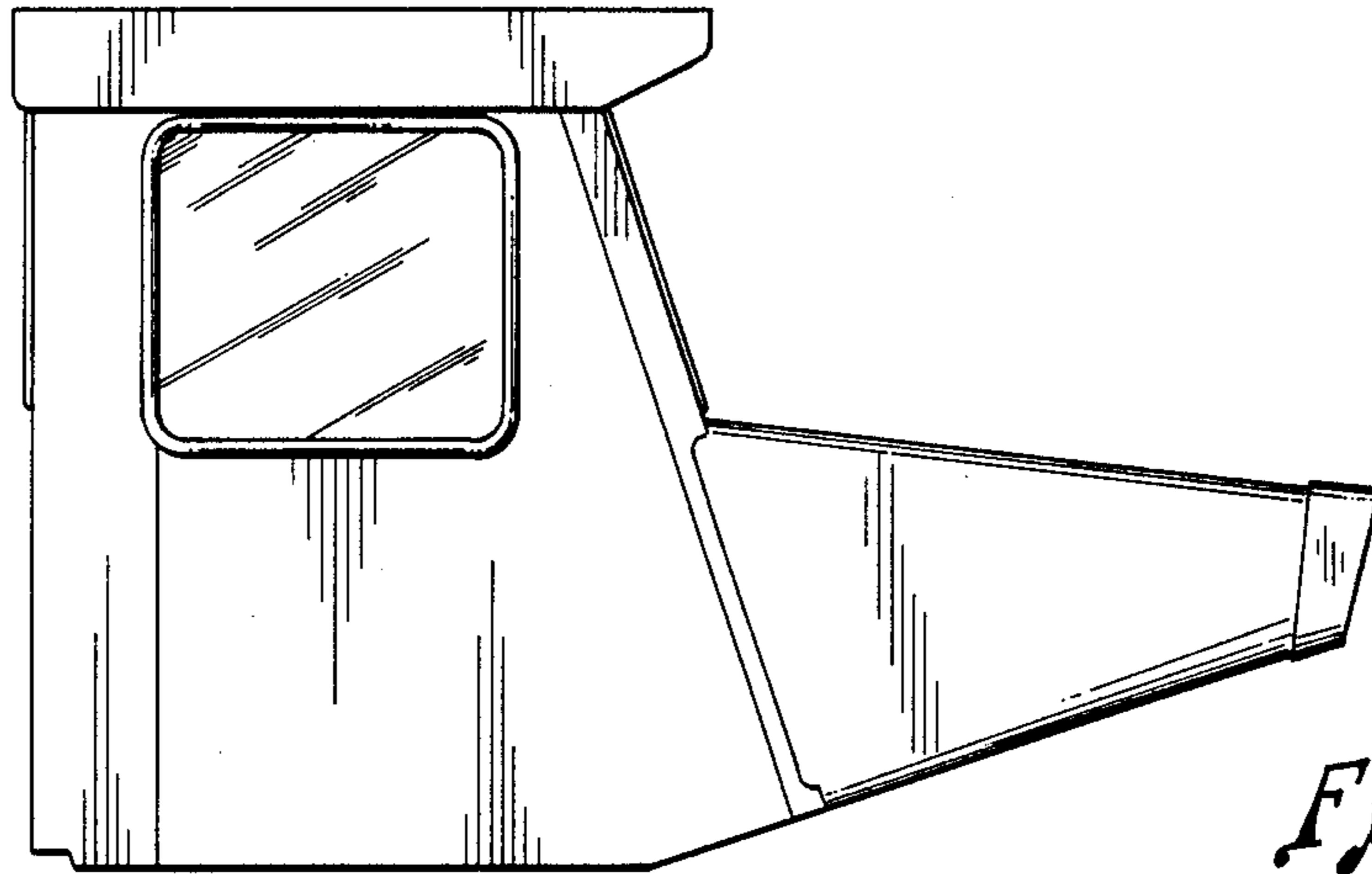


Fig. 3.

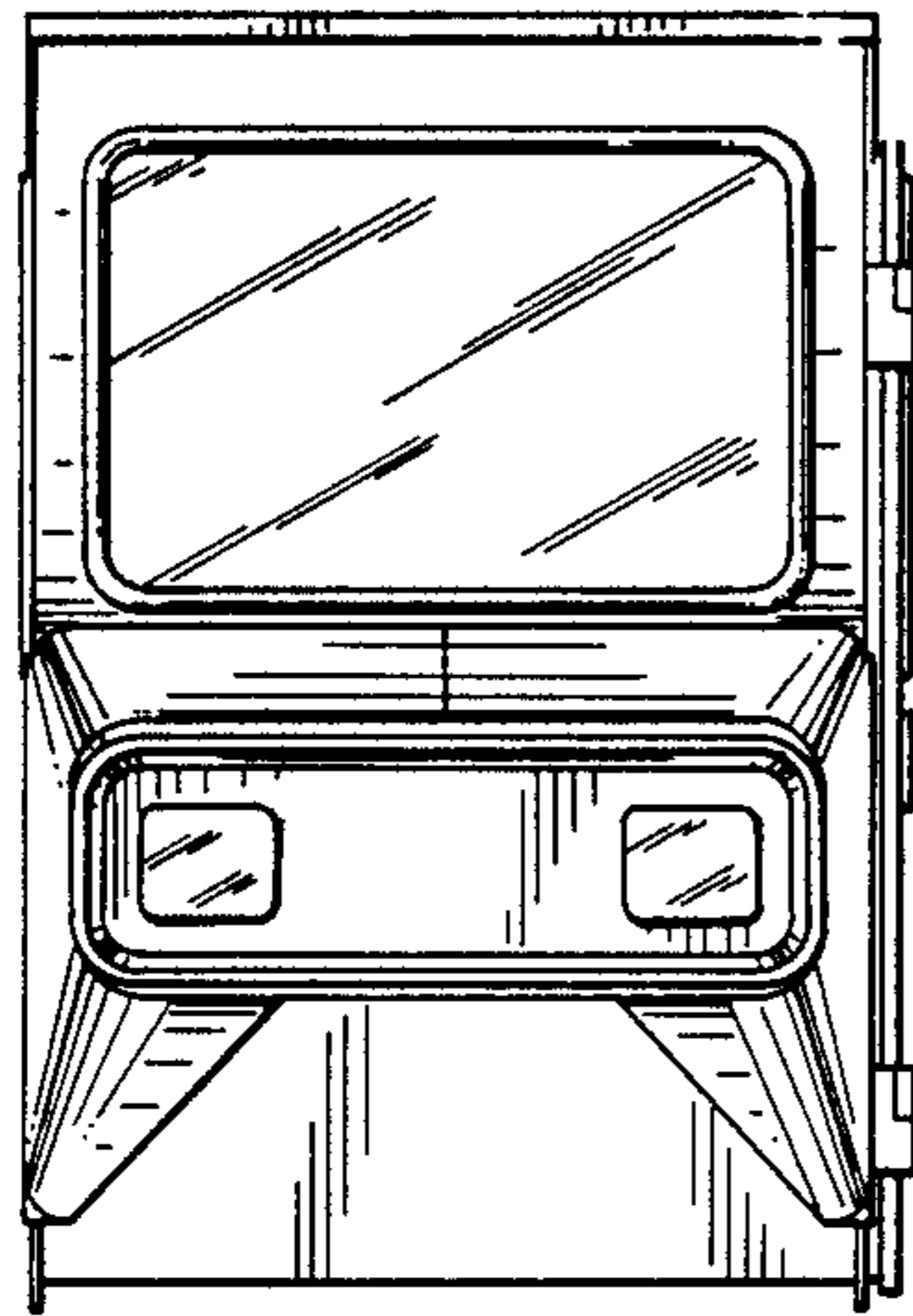


Fig. 4.

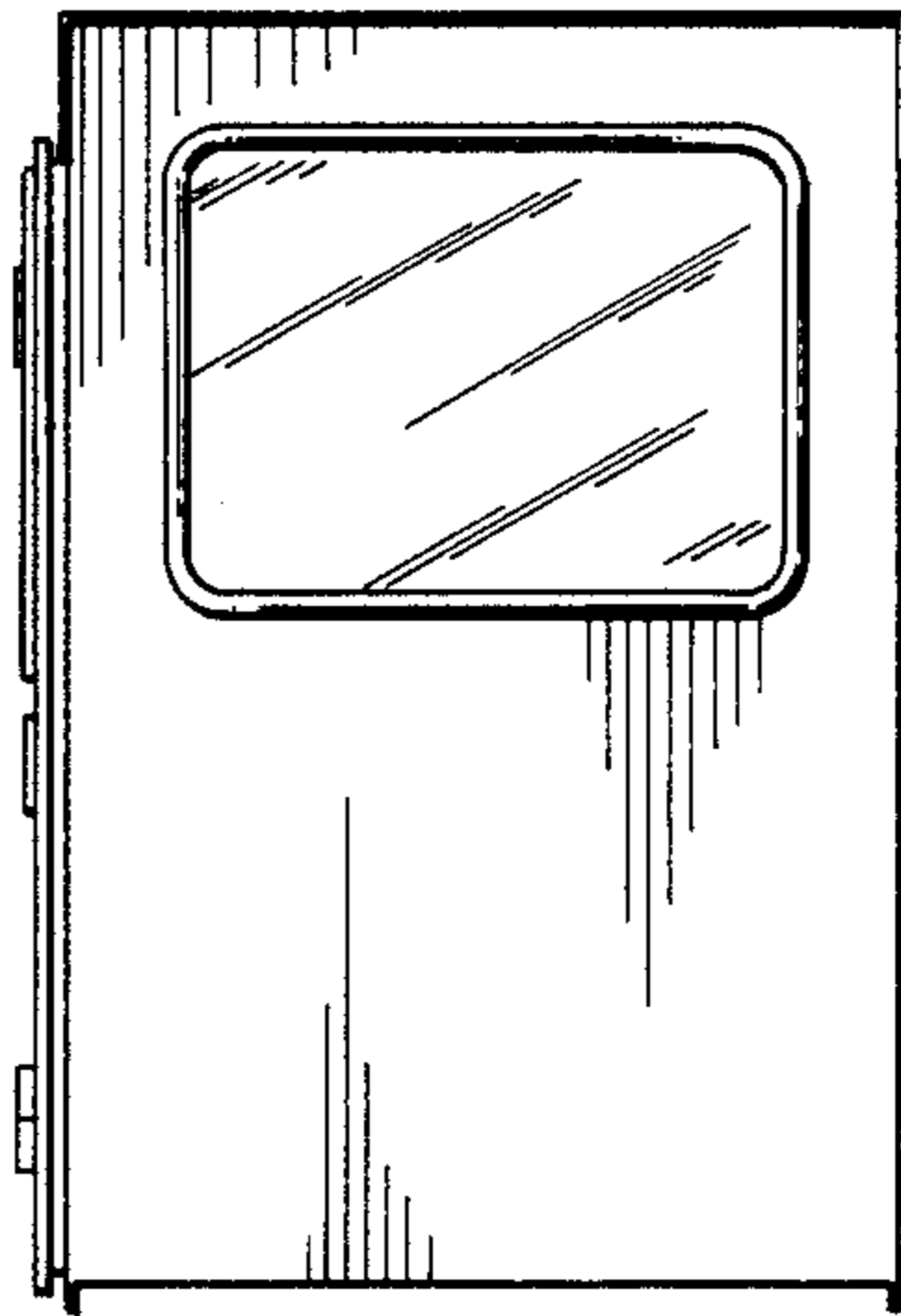


Fig. 5.

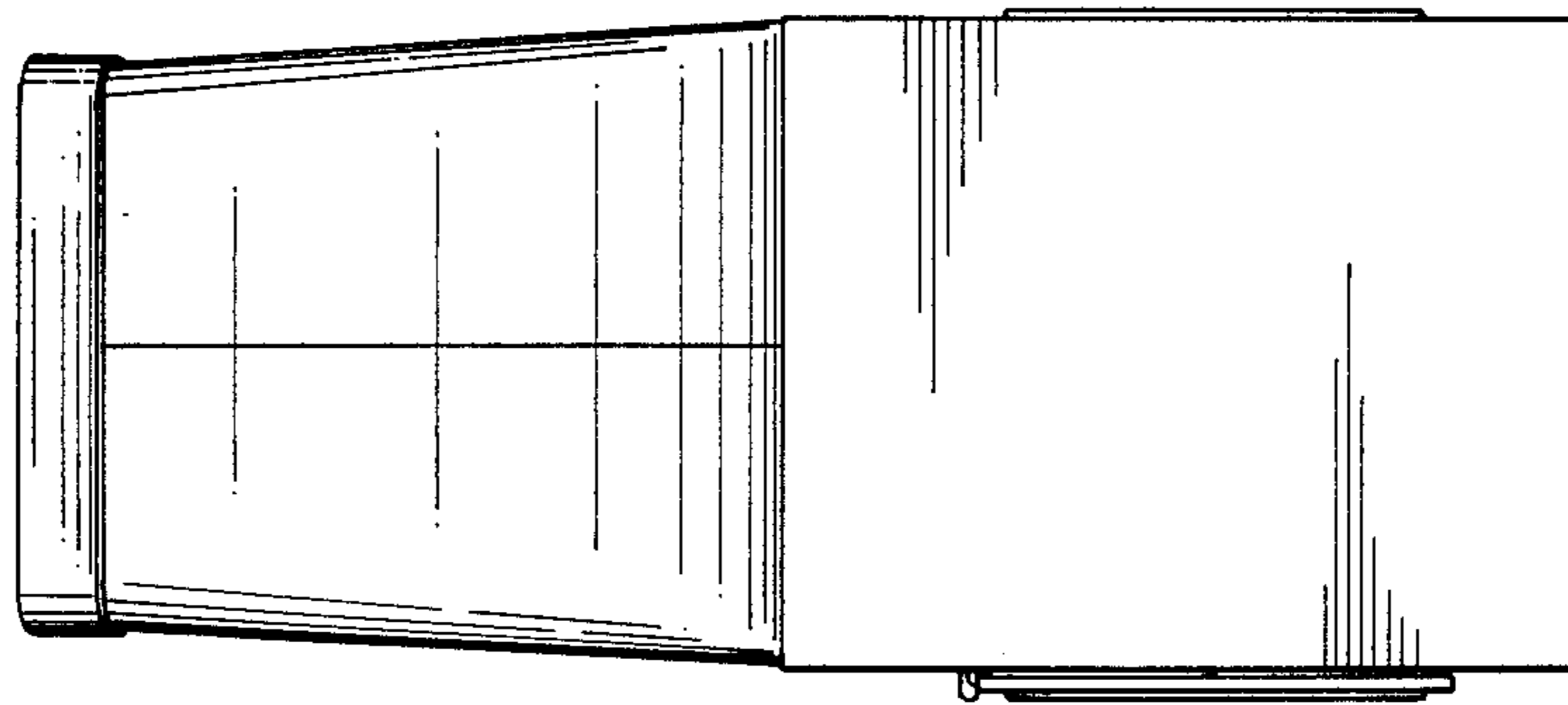


Fig. 6.

UNITED STATES PATENT AND TRADEMARK OFFICE
CERTIFICATE OF CORRECTION

PATENT NO. : D312,467
DATED : November 27, 1990
INVENTOR(S) : Donald K. Schmidt et al.

It is certified that error appears in the above-identified patent and that said Letters Patent is hereby corrected as shown below:
On the title page:

In the References Cited Section, under U.S.
PATENT DOCUMENTS, insert:

D. 256,921 9/1980 Kuhn D15/23

Signed and Sealed this
Twenty-eighth Day of April, 1992

Attest:

Attesting Officer

HARRY F. MANBECK, JR.

Commissioner of Patents and Trademarks