

[54] TRACTOR

4,506,756 3/1985 Bergous 180/900

[75] Inventors: Tadahiro Yaguchi, Asaka; Toshihiko Shibuya, Urawa, both of Japan

[73] Assignee: Honda Giken Kogyo Kabushiki Kaisha, Tokyo, Japan

[**] Term: 14 Years

[21] Appl. No.: 290,730

[22] Filed: Dec. 27, 1988

[30] Foreign Application Priority Data

Jun. 29, 1988 [JP] Japan 63-25575

[52] U.S. Cl. D15/23

[58] Field of Search D15/14, 15, 16, 17, D15/23, 25, 26; 56/134, 16.7, 20.2, 320.1, 320.2, 255; 180/89.1, 89.12, 900

[56] References Cited

U.S. PATENT DOCUMENTS

- D. 274,524 7/1984 Koval et al. D15/23
- D. 297,239 8/1988 Funabashi et al. D15/23

OTHER PUBLICATIONS

John Deere Tractor Brochure, p. 5, Tractor in center pic. (2440).

John Deere Lawn & Garden Brochure, 11/78, p. 15, Tractor.

Primary Examiner—B. J. Bullock

Assistant Examiner—Sandra Morris

Attorney, Agent, or Firm—Schwartz & Weinrieb

[57] CLAIM

The ornamental design for a tractor, as shown.

DESCRIPTION

FIG. 1 is a front elevational view of a tractor showing our new design;

FIG. 2 is a rear elevational view thereof;

FIG. 3 is a right side elevational view thereof;

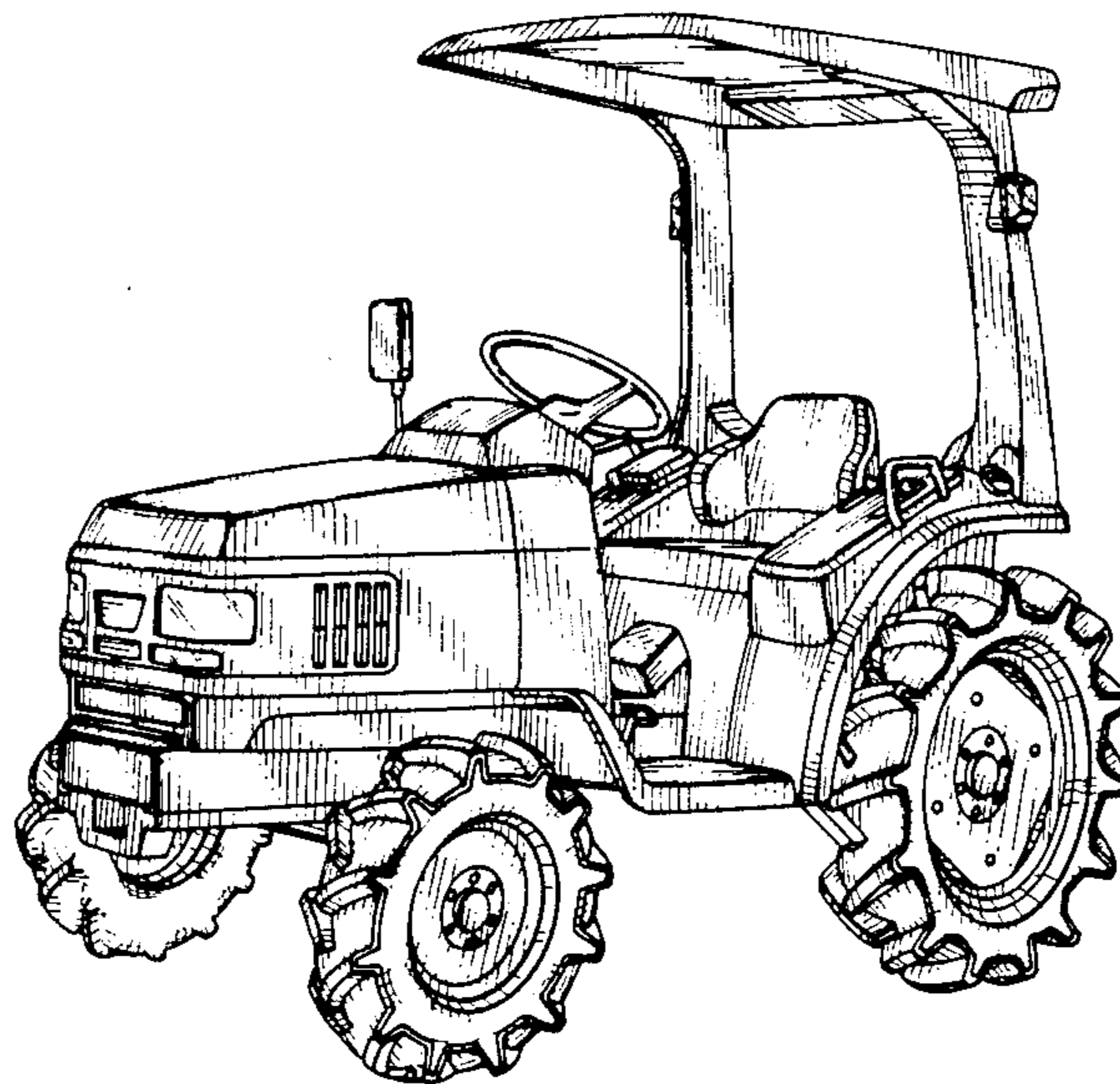
FIG. 4 is a left side elevational view thereof;

FIG. 5 is a top plan view thereof;

FIG. 6 is a bottom plan view thereof;

FIG. 7 is a front perspective view thereof;

FIG. 8 is a rear perspective view thereof.



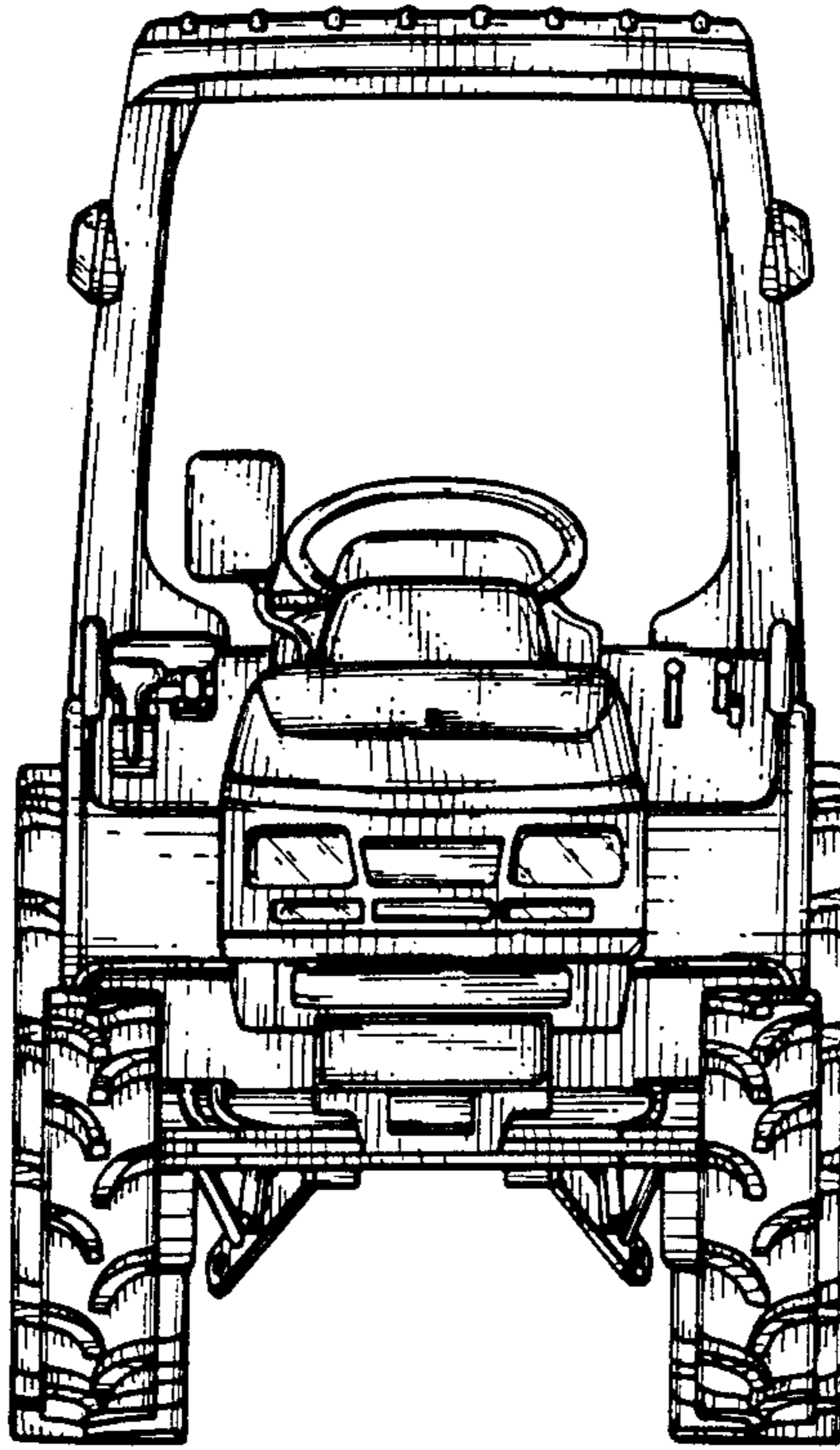


FIG. 1

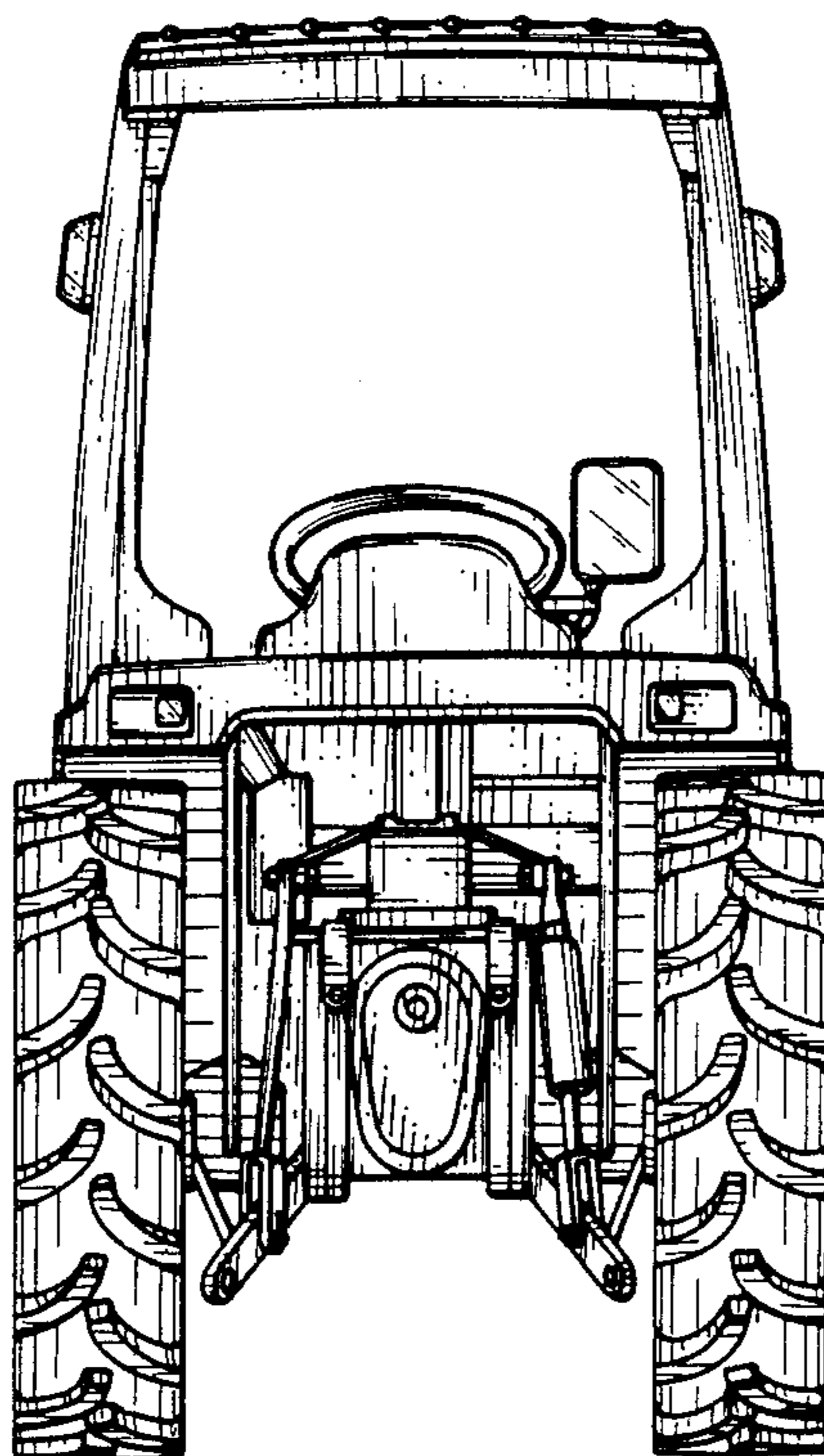


FIG. 2

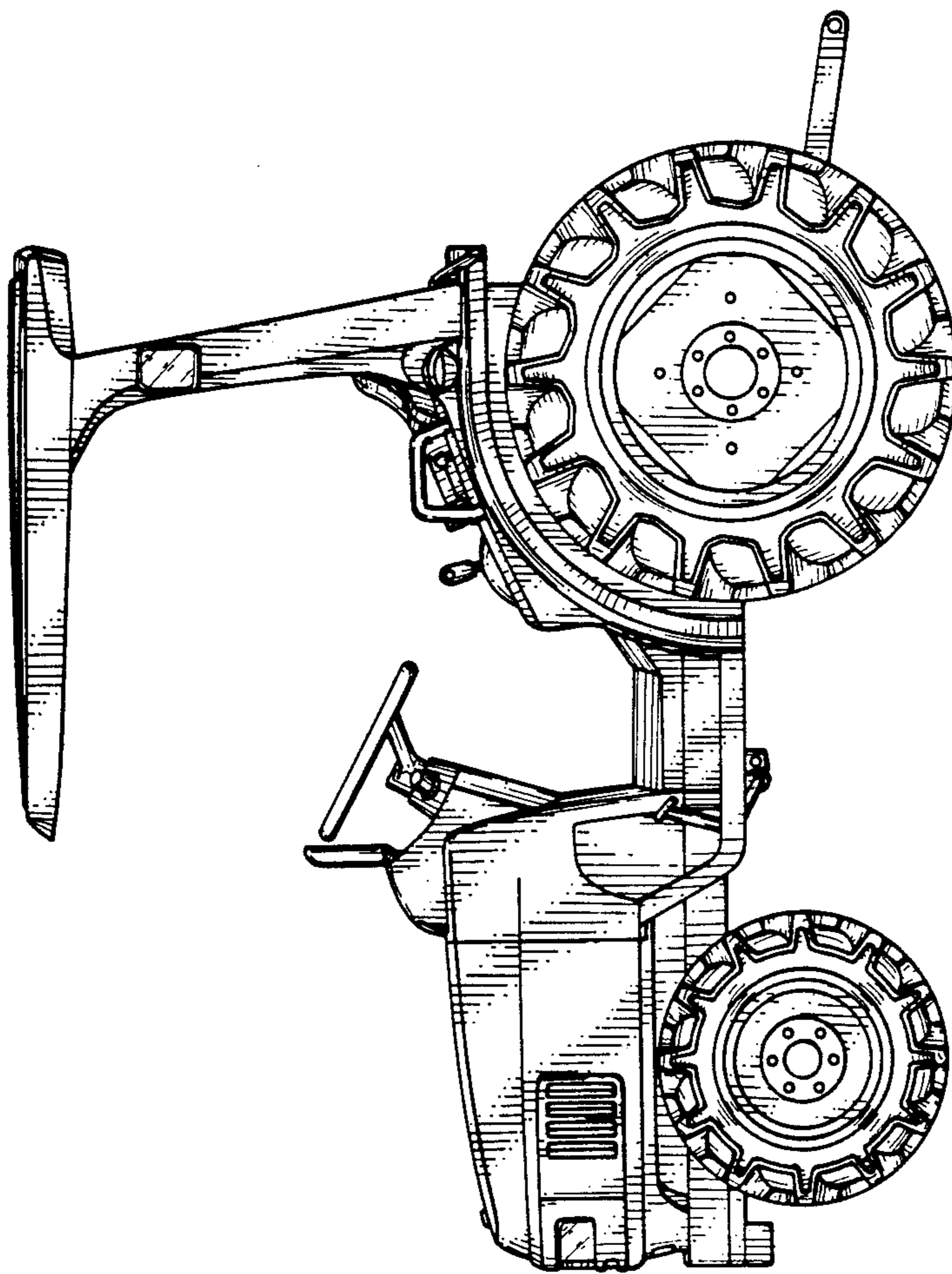


FIG. 3

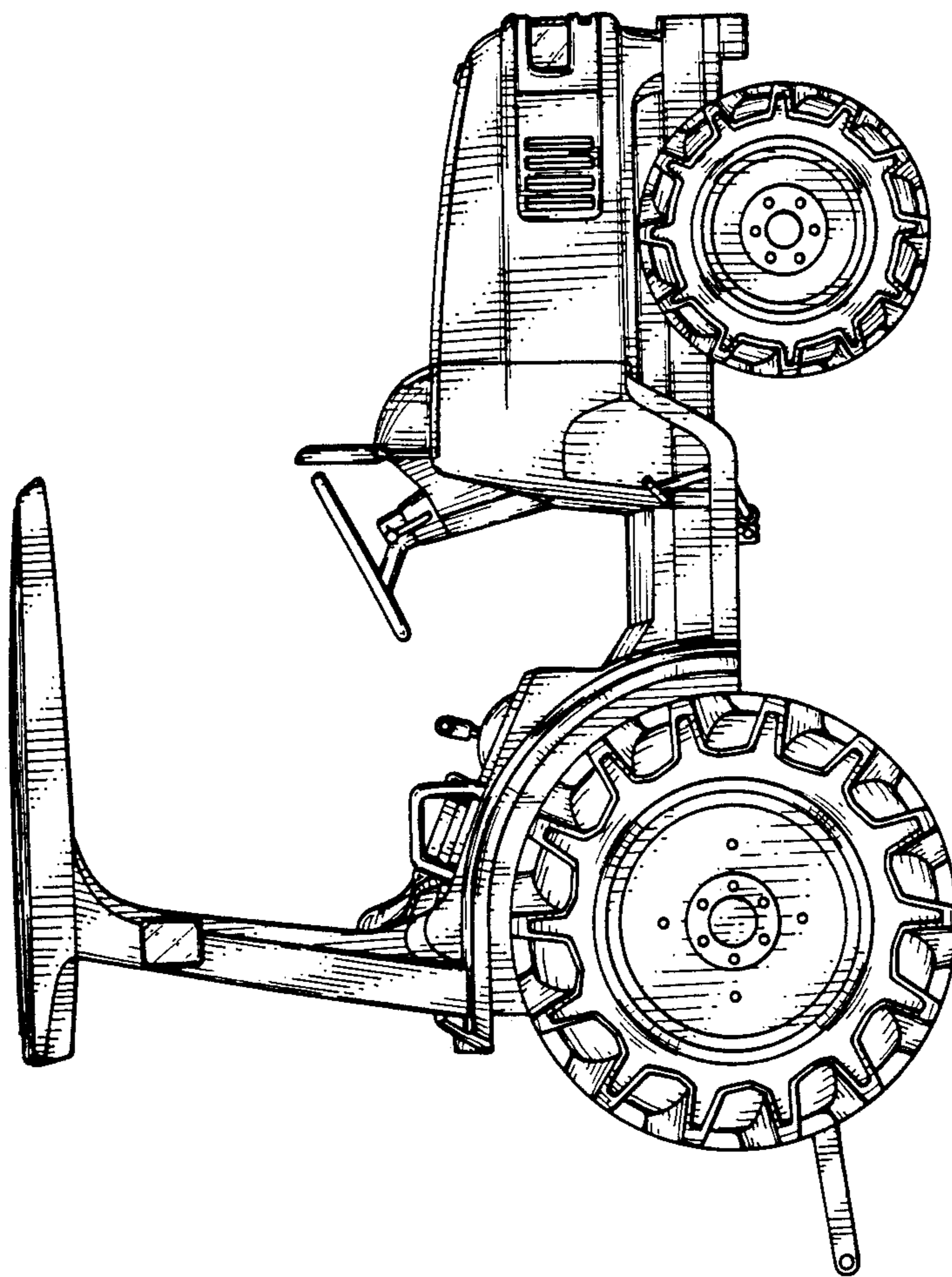


FIG. 4

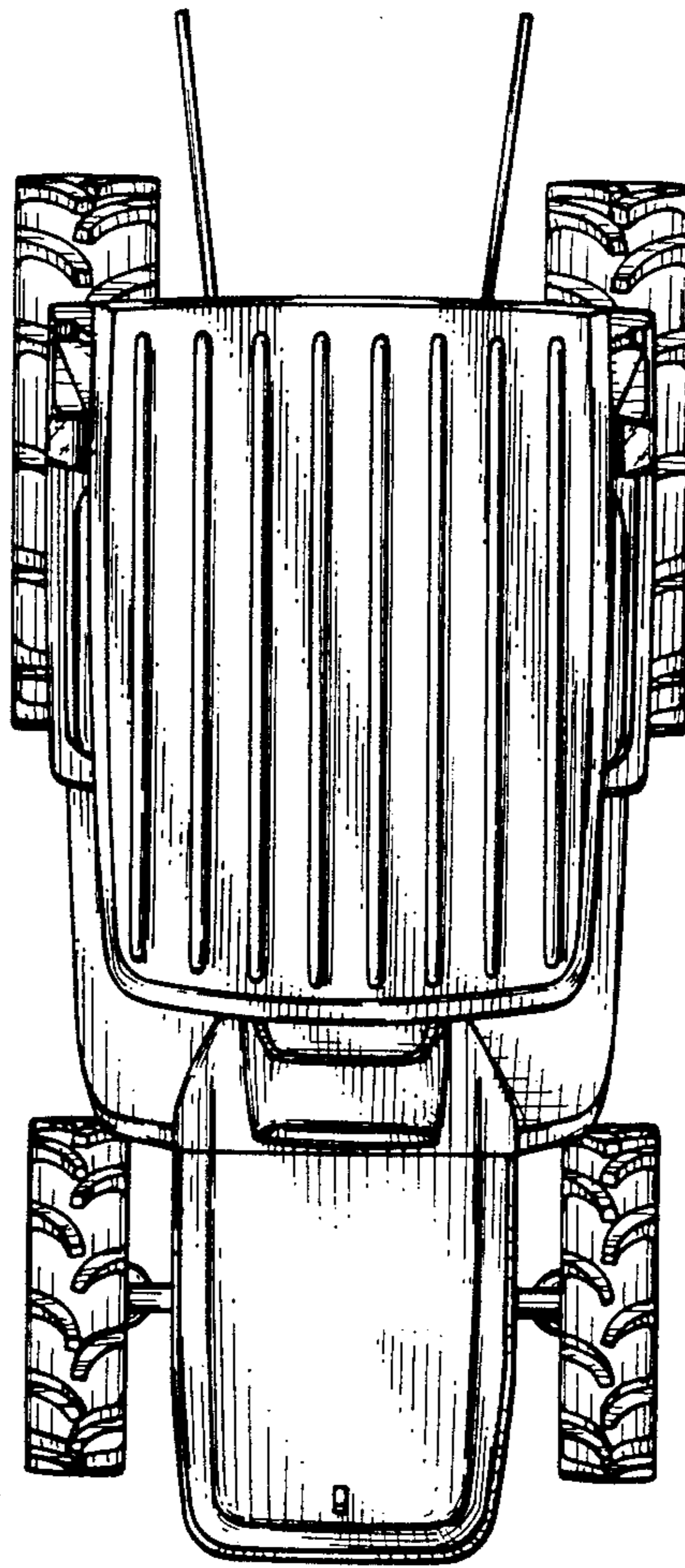


FIG. 5

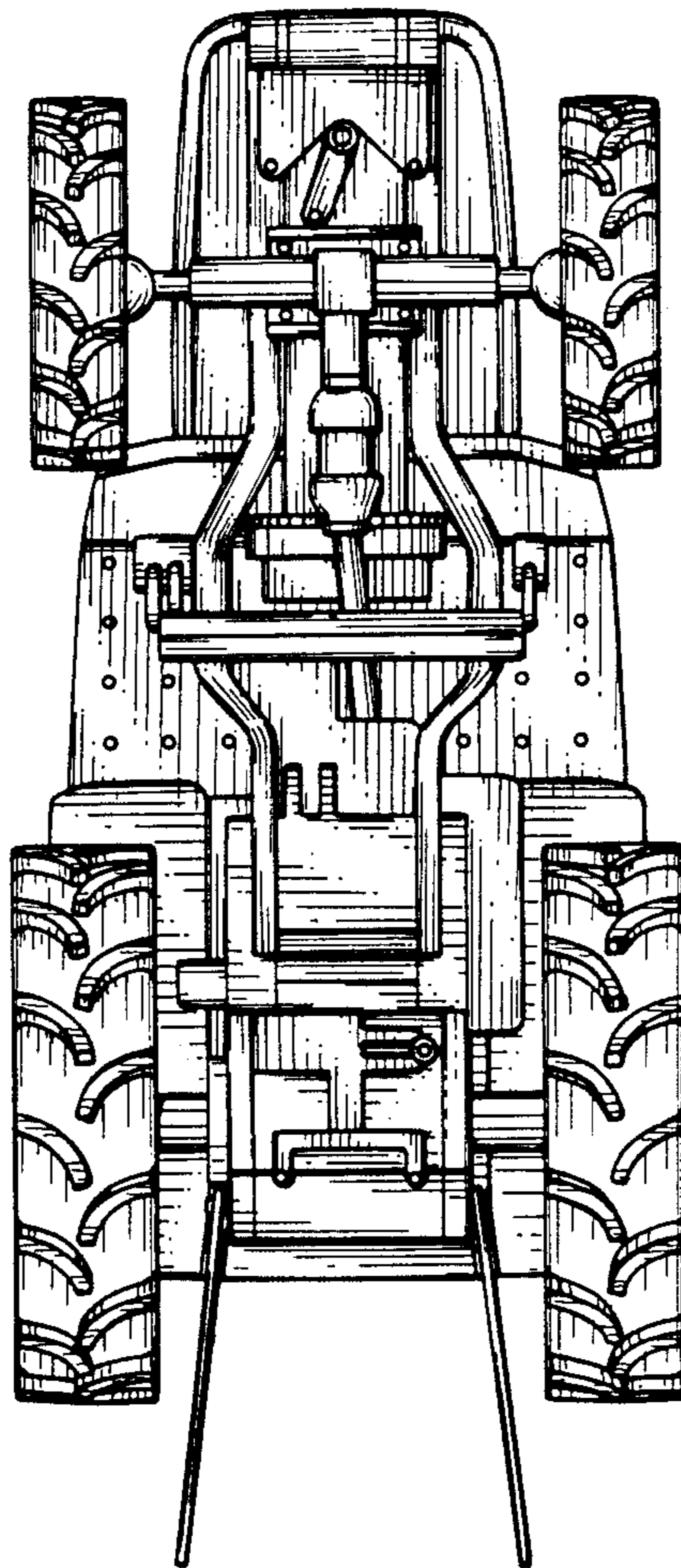


FIG. 6



FIG. 7

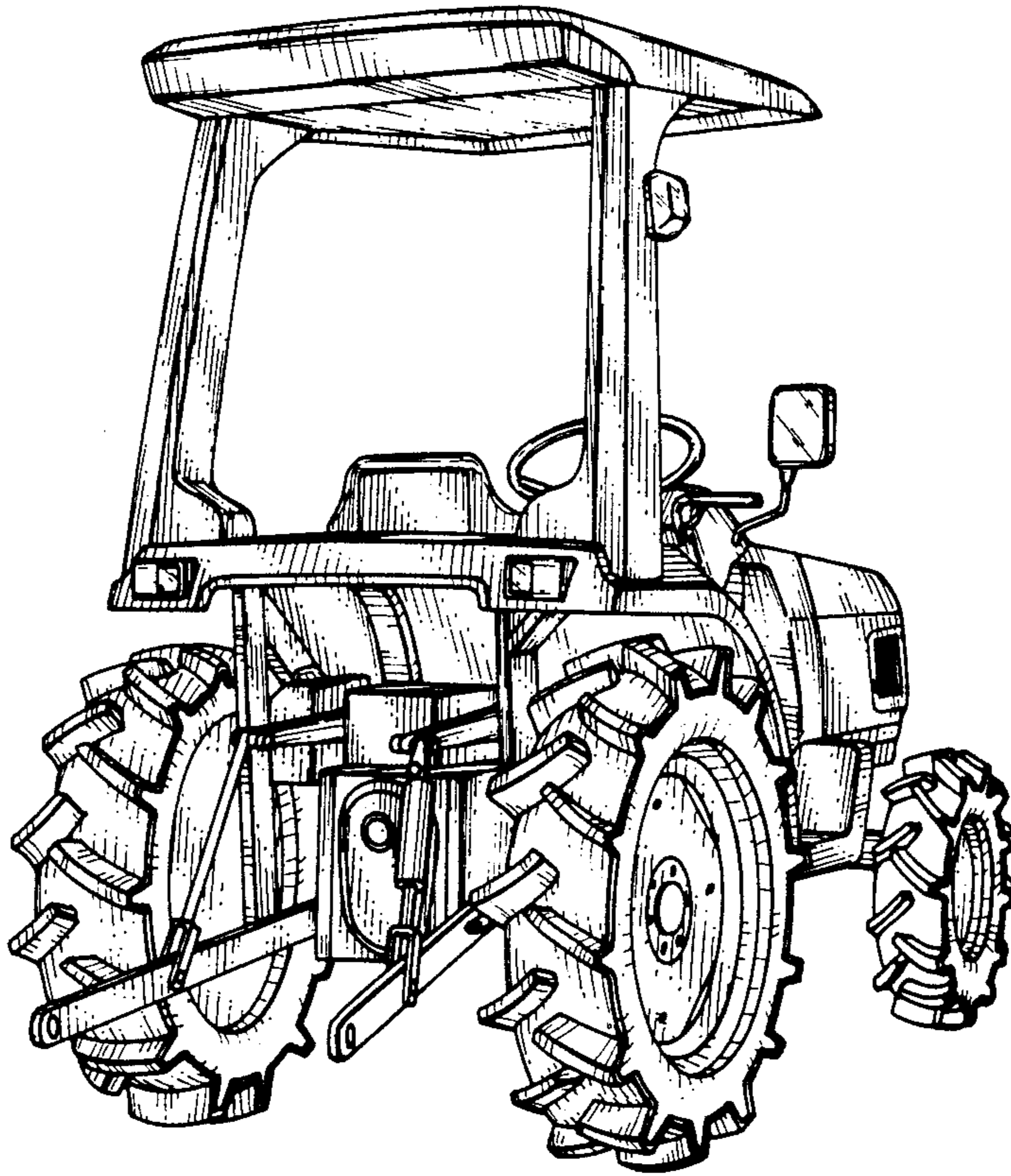


FIG. 8