

[54] PROTECTOR HOUSING FOR TELECOMMUNICATIONS EQUIPMENT

[75] Inventor: Thomas J. Smith, Bay Shore, N.Y.

[73] Assignee: TII Industries, Inc., Copiague, N.Y.

[\*\*] Term: 14 Years

[21] Appl. No.: 43,999

[22] Filed: Apr. 29, 1987

[52] U.S. Cl. .... D14/240; D13/184

[58] Field of Search ..... D14/240; D13/30, 40, D13/41; 379/399, 412, 33

[56] References Cited

U.S. PATENT DOCUMENTS

D. 287,583	1/1987	Smith et al. ....	D13/40
D. 297,136	8/1988	Collins et al. ....	D14/240
D. 299,130	12/1988	Smith et al. ....	D13/40
4,729,059	3/1988	Wang .....	379/412
4,749,359	6/1988	White .....	379/437
4,800,588	1/1989	Puster, Jr. ....	379/412
4,827,504	5/1989	Collins et al. ....	379/399

Primary Examiner—Horace B. Fay, Jr.  
Attorney, Agent, or Firm—Leonard W. Suroff

[57] CLAIM

The ornamental design for a protector housing for tele-communications equipment, as shown and described.

DESCRIPTION

FIG. 1 is a front elevational view of a protector housing for telecommunication equipment showing our new design;

FIGS. 2 and 3 are respectively top and bottom plan views thereof;

FIGS. 4 and 5 are respectively left and right side elevational views thereof;

FIG. 6 is a rear elevational view thereof;

FIG. 7 is a front elevation view thereof with the cover in an opened position;

FIG. 8 is a front elevation view thereof with the cover in an opened position, and the compartment door thereto also open and nestled within the cover;

FIG. 9 is a bracket associated, exploded bottom plan view of the housing components in separated, unhinged, tandem relationship.

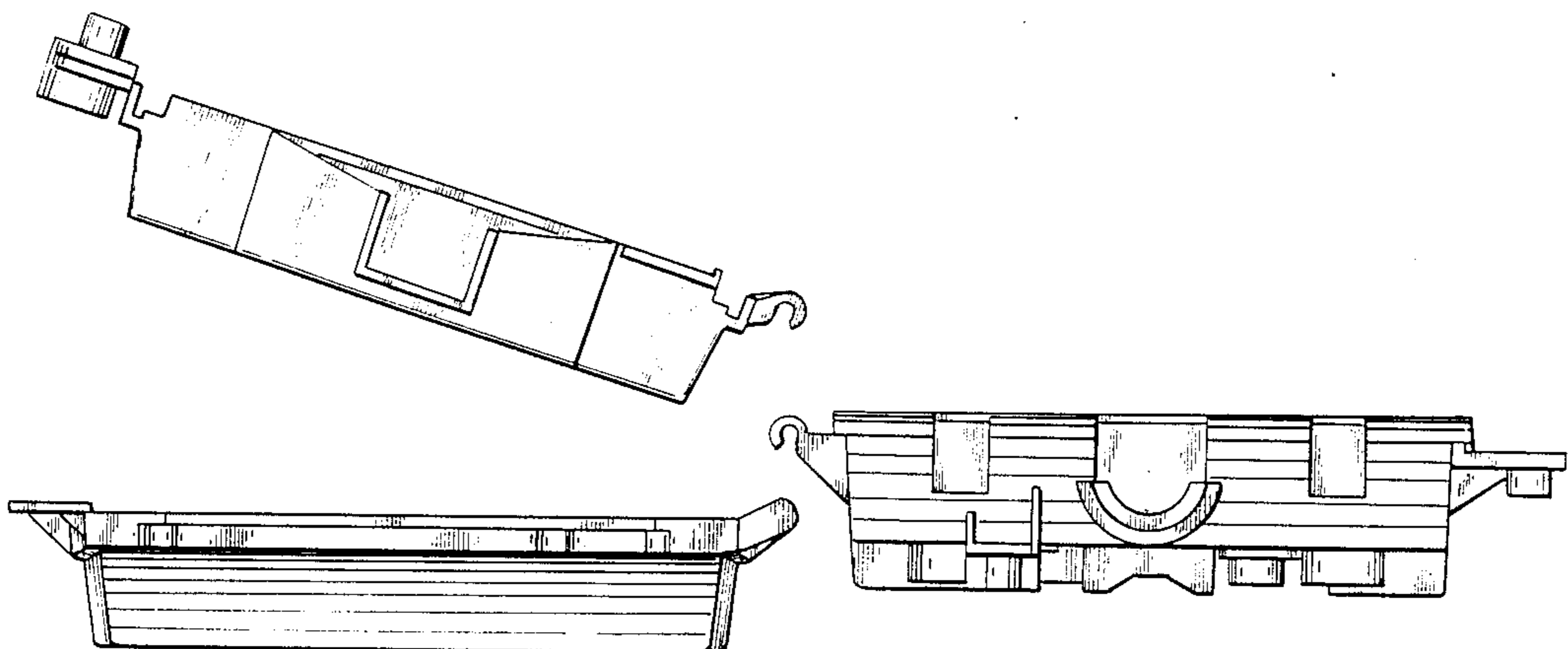
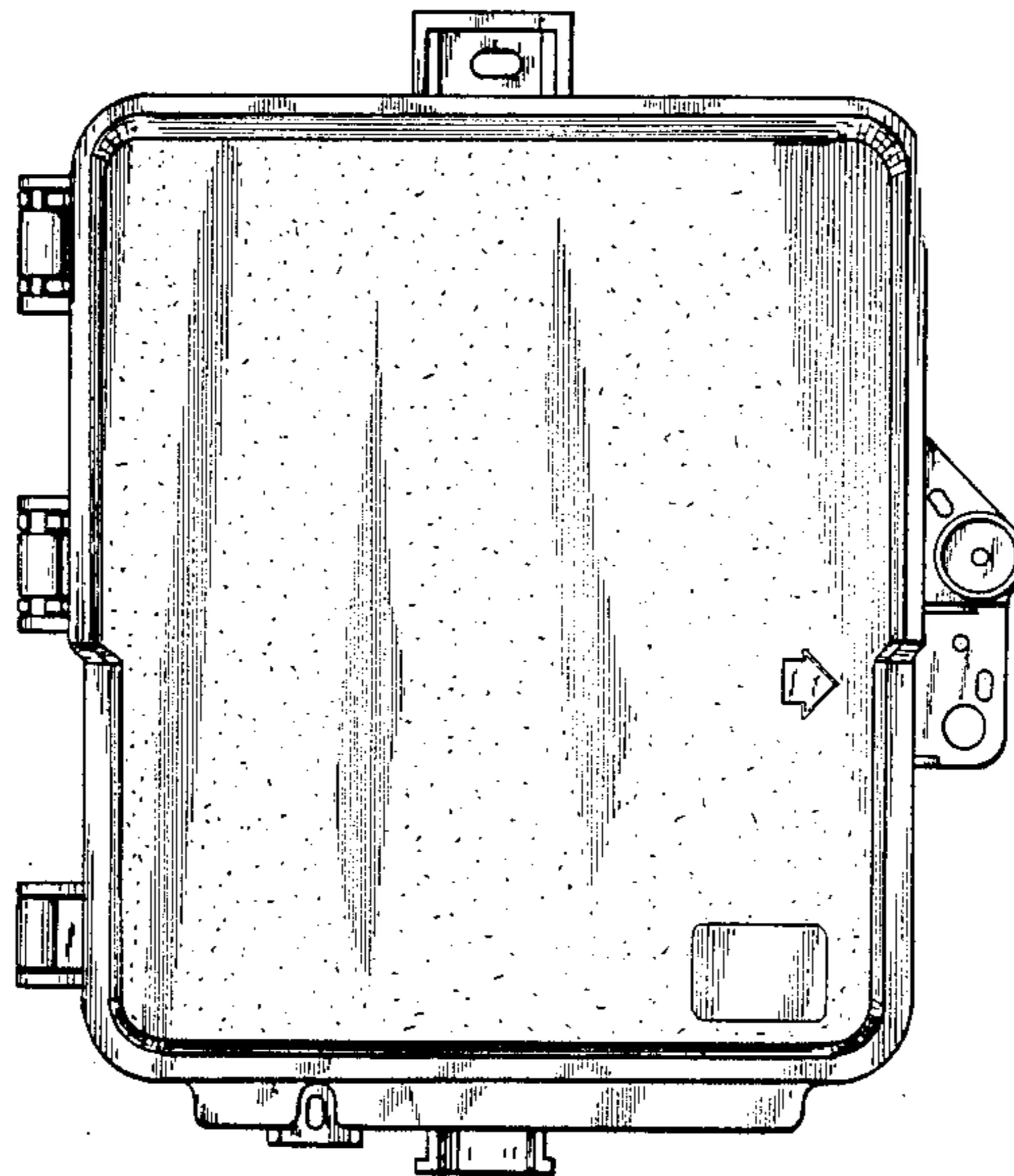


FIG. 1

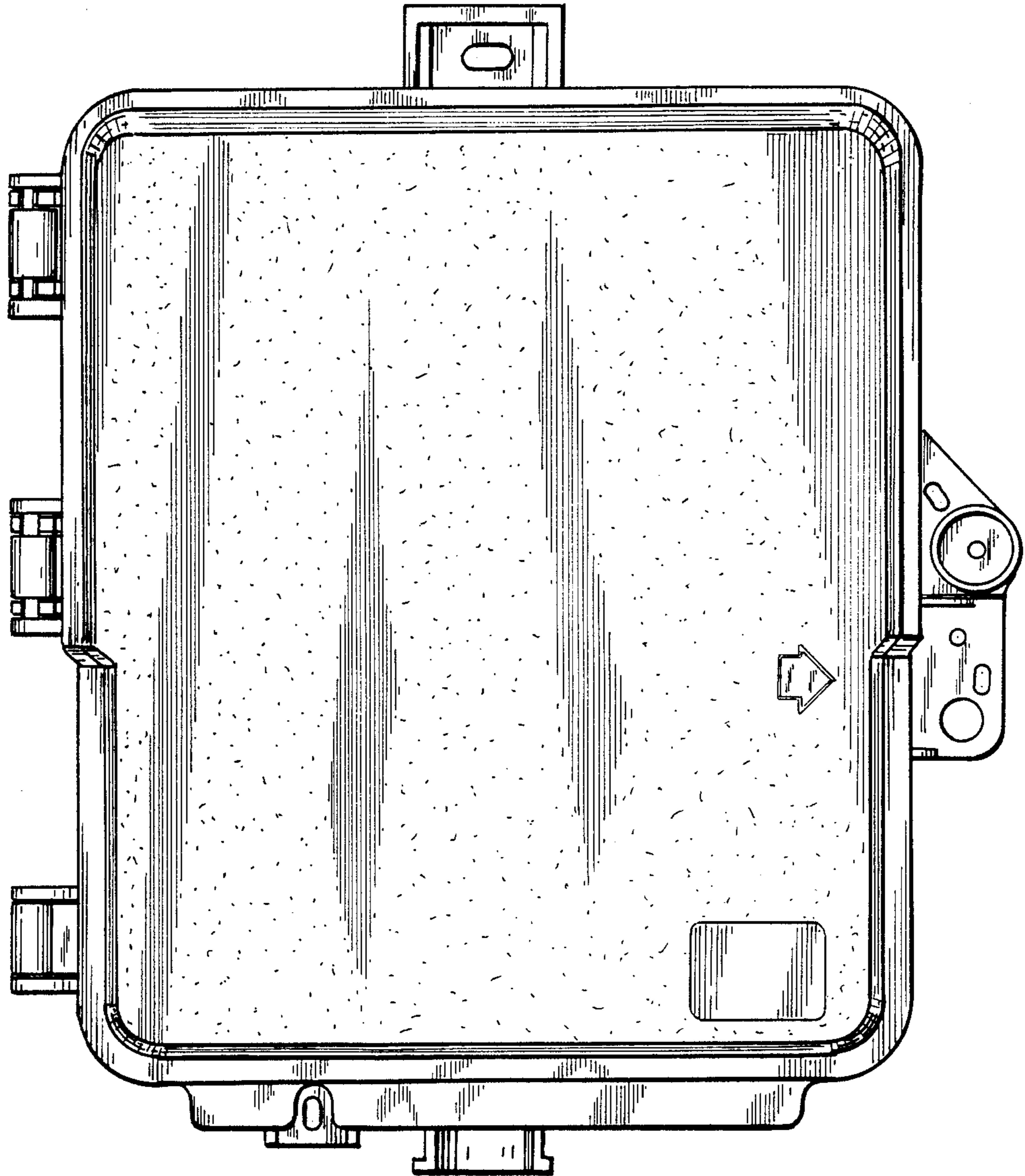


FIG. 2

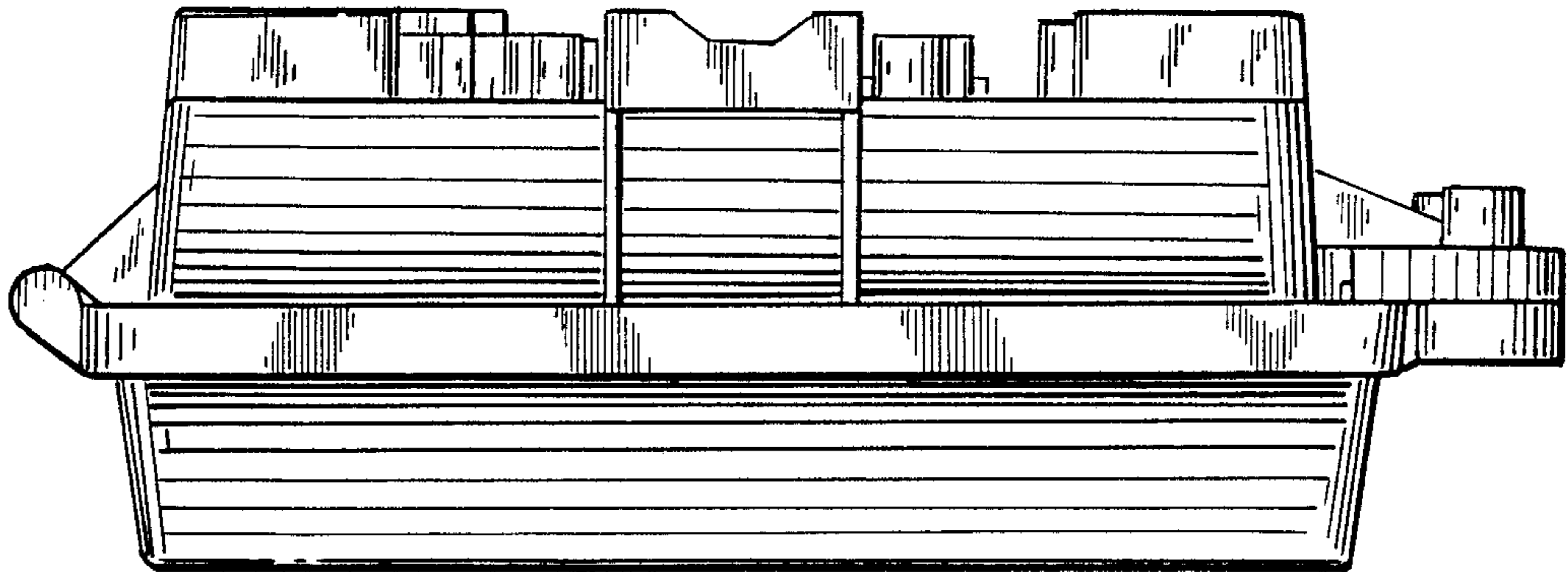


FIG. 3

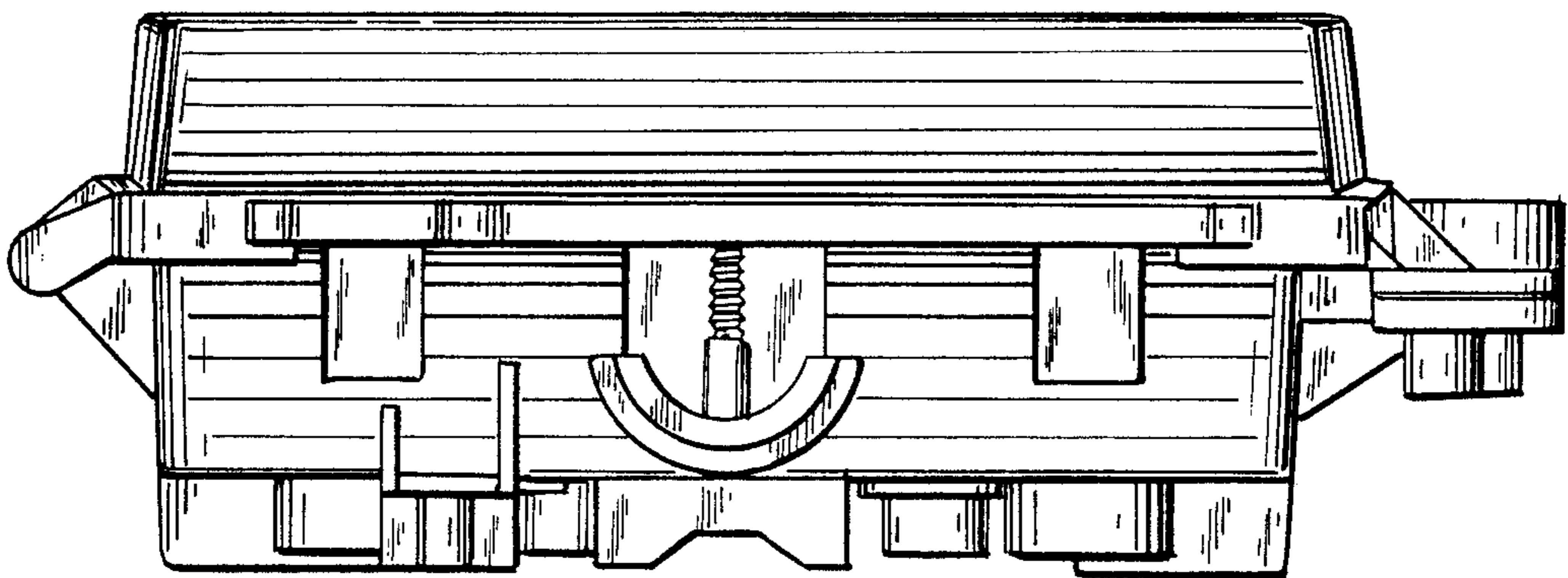


FIG. 4

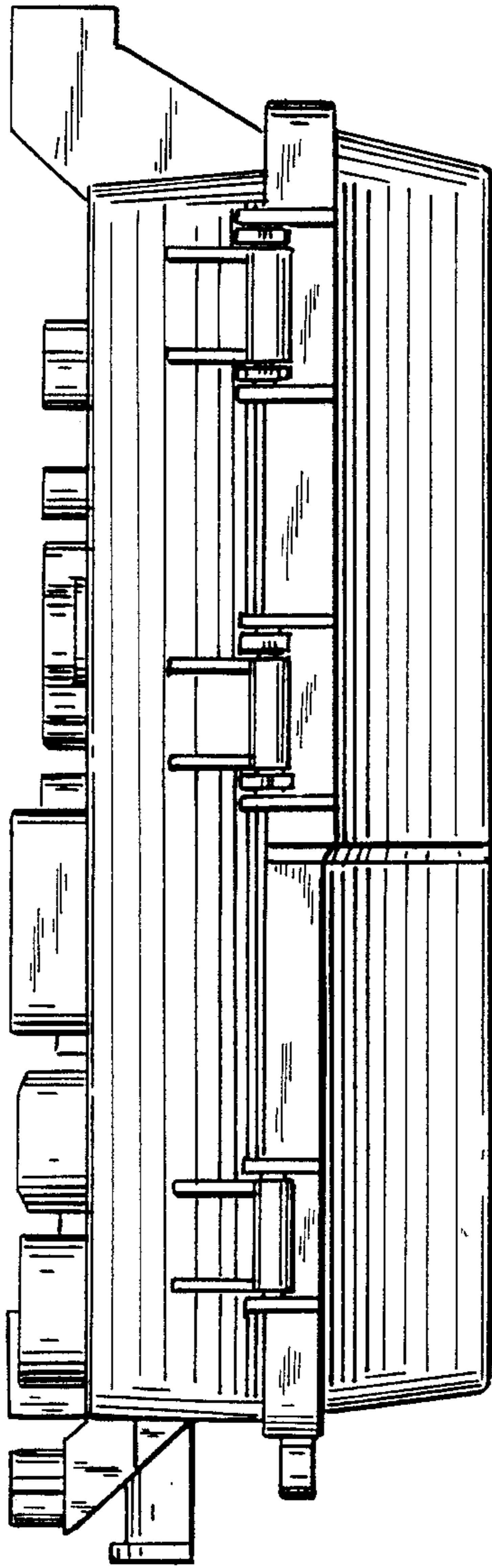


FIG. 5

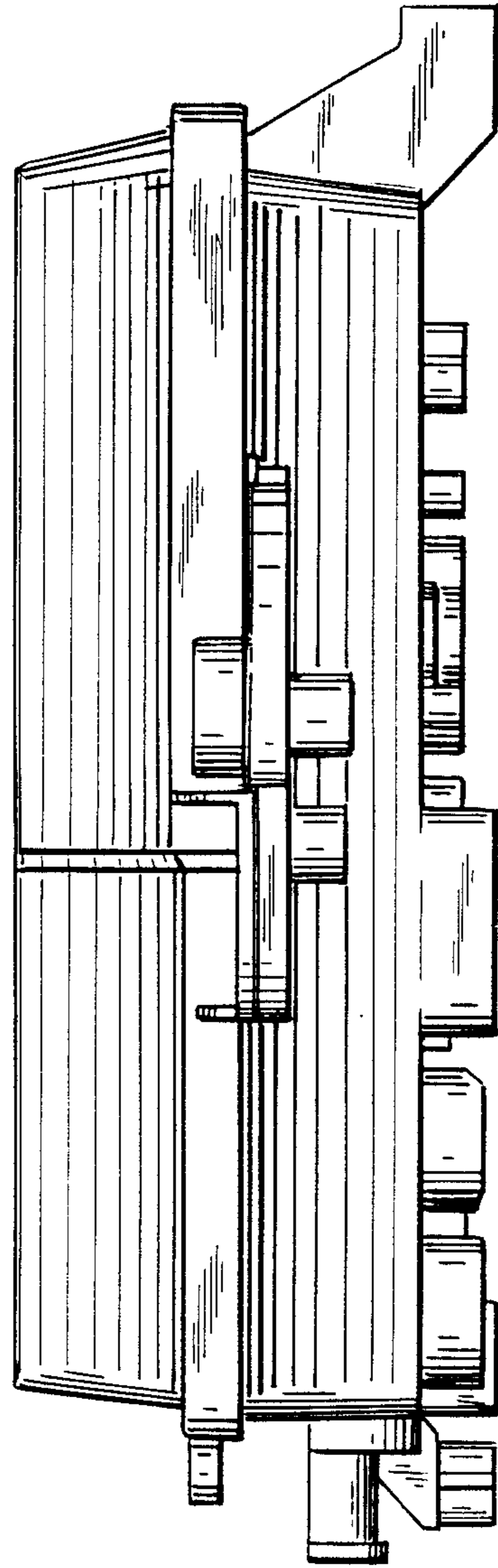


FIG. 6

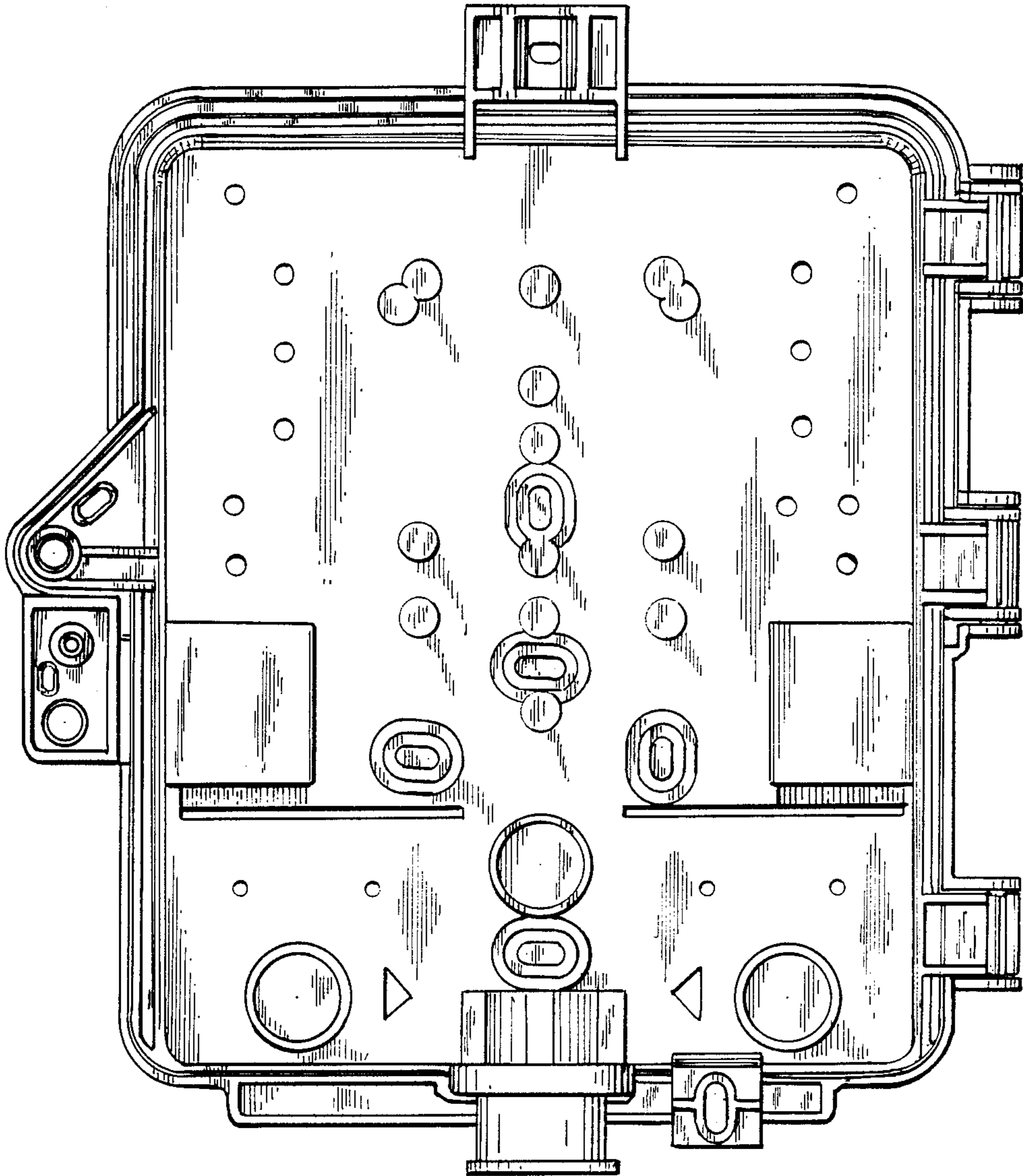


FIG. 7

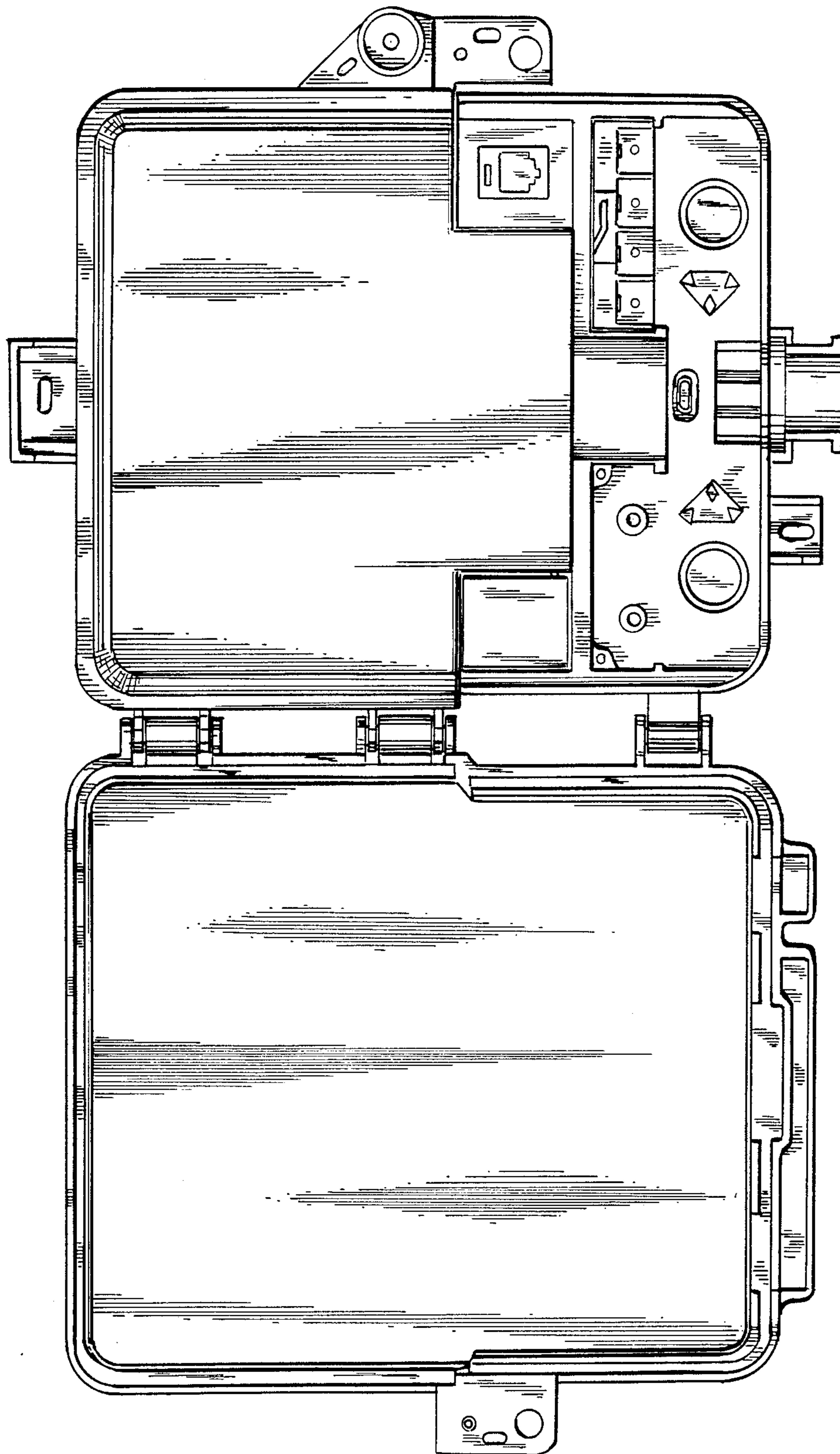


FIG. 8

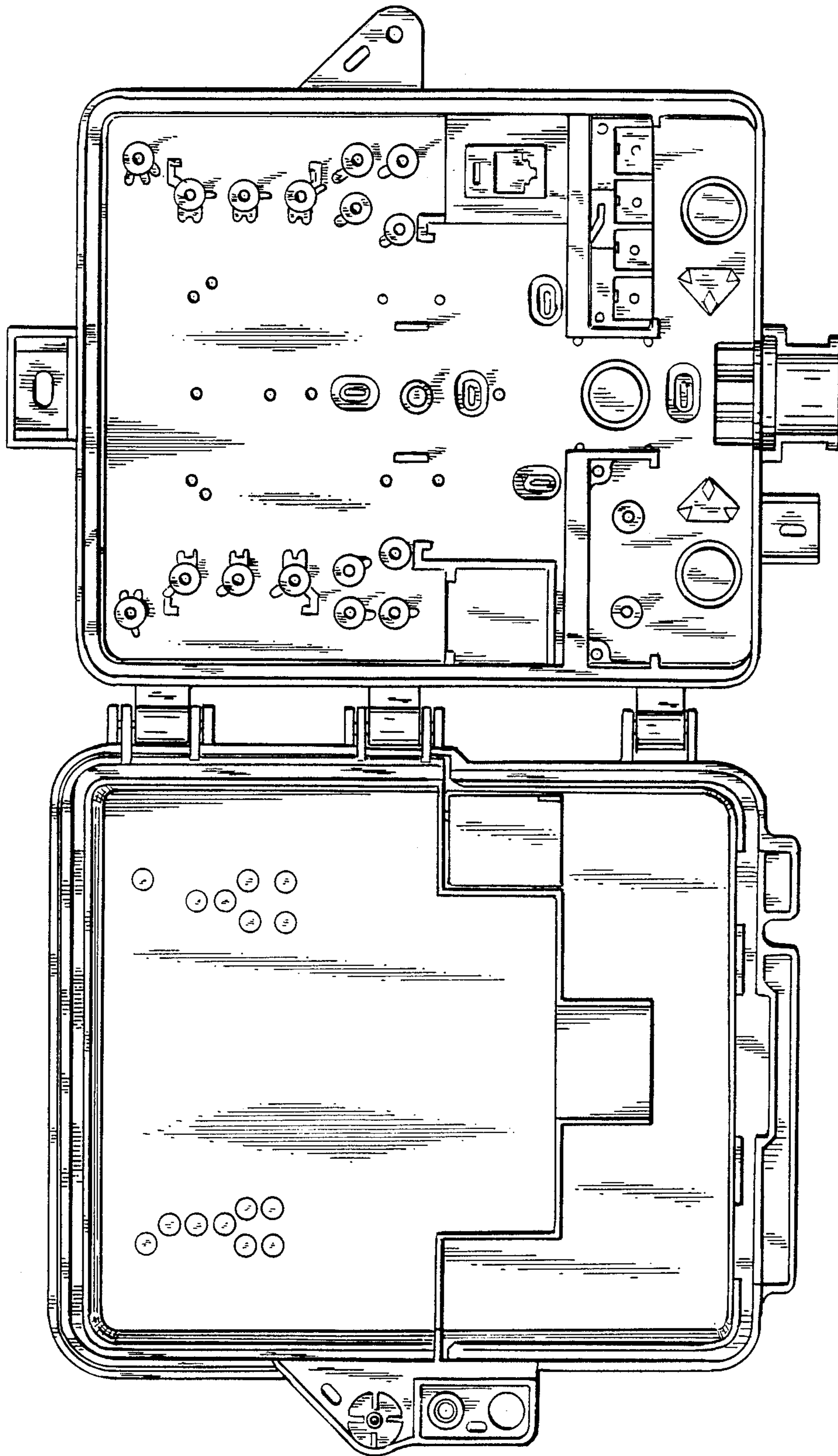


FIG. 9

