

[54] TELEPHONE COMPUTER INSTRUMENT OR SIMILAR ARTICLE

[75] Inventor: Charles T. Inatomi, Los Angeles, Calif.

[73] Assignee: Transaction Technology, Inc., Santa Monica, Calif.

[**] Term: 14 Years

[21] Appl. No.: 380,557

[22] Filed: Jul. 17, 1989

[52] U.S. Cl. D14/144; D14/149

[58] Field of Search D14/150, 101, 106, 240, D14/241; 40/389, 336; 379/440, 433, 436, 428, 454

[56] References Cited

U.S. PATENT DOCUMENTS

D. 202,110	8/1965	Wann	D14/150
D. 211,253	6/1968	Sundquist et al.	D14/150
D. 227,482	6/1973	Binks et al.	D14/150
D. 244,617	6/1977	Breger	D14/150
D. 282,165	1/1986	Brown	D14/150
D. 282,927	3/1986	Story et al.	D14/150
D. 284,856	7/1986	Marshall	D14/150
D. 288,808	3/1987	Asaki et al.	D14/150
D. 299,030	12/1988	Menn	D14/101
D. 303,522	9/1989	Meda et al.	D14/101
2,541,270	2/1951	Mitnick	40/389
2,593,475	4/1952	Neilsen	40/336
3,515,814	6/1970	Morgan	D14/100 X

OTHER PUBLICATIONS

B. A. Pargh Catalog 1985-86; at p. 345, Dictograph; AOD DCIs; Add-on-Dialer.

B. A. Pargh Catalog 1985-86; at p. 375; Dex-A-Phone Tray—No. 84094; Dex-A-Phone.

Primary Examiner—Horace B. Fay, Jr.

Attorney, Agent, or Firm—Pennie & Edmonds

[57] CLAIM

The ornamental design for the telephone computer instrument or similar article, as shown and described.

DESCRIPTION

FIG. 1 is a left side, top and front perspective view of a first embodiment of a telephone computer instrument or similar article showing my new design;

FIG. 2 is a similar perspective view thereof, with the computer keyboard in opened position;

FIG. 3 is a top plan view thereof;

FIG. 4 is a left side elevational view thereof;

FIG. 5 is a bottom plan view thereof;

FIG. 6 is a right side elevational view thereof;

FIGS. 7 and 8 are respectively rear and front elevational views thereof;

FIG. 9 is a left side elevational view thereof with the computer keyboard element, the side opposite of the opened computer keyboard element being a mirror image;

FIG. 10 is a left side, top, and front perspective view of a second embodiment thereof, the only difference being a 4x4 telephone pushbutton pattern in place of the 3x4 key pattern in the first embodiment;

FIG. 11 is a left side, top, and front perspective view thereof, with the computer keyboard in opened position.

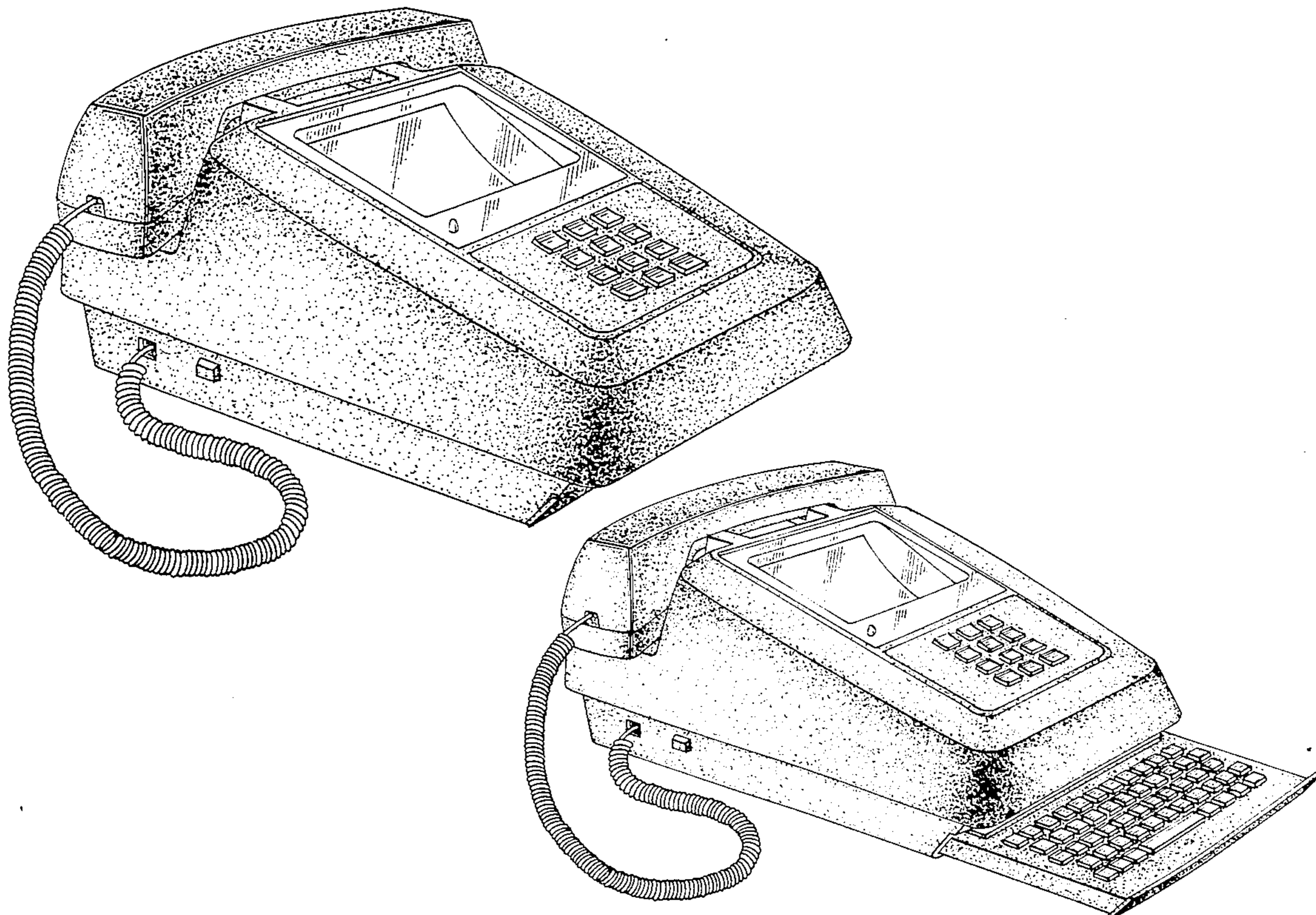


FIG. 1

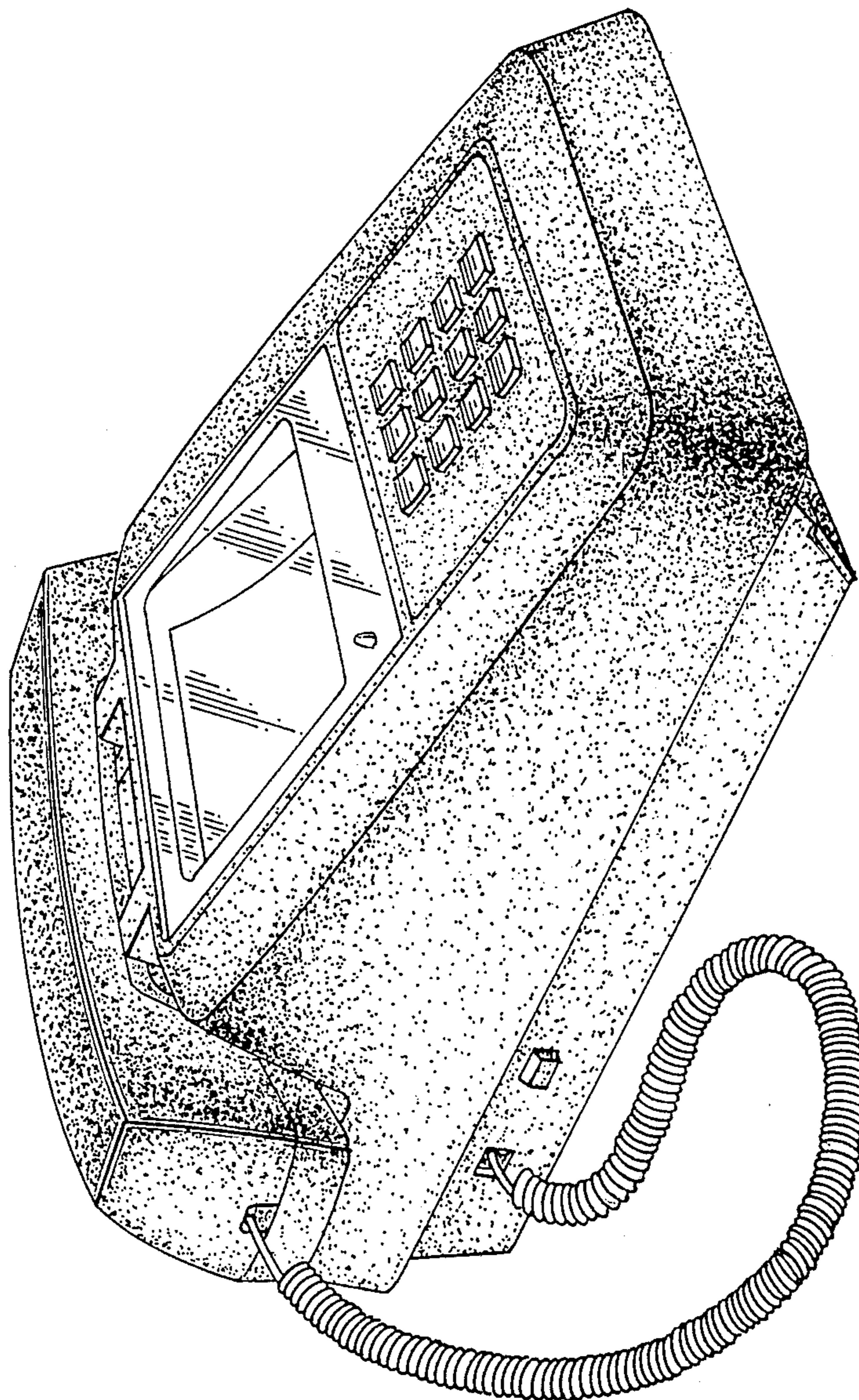


FIG. 2

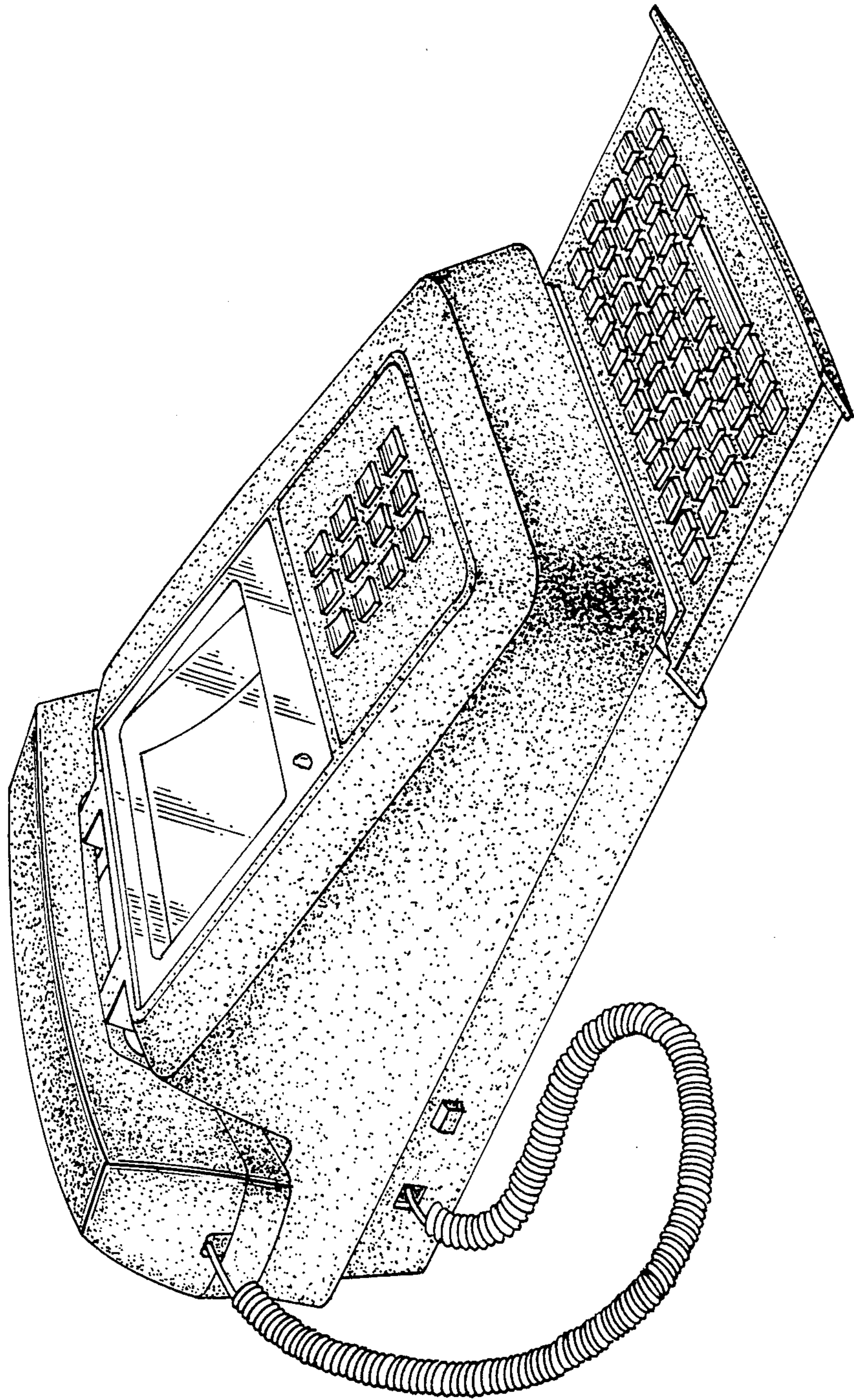


FIG. 3

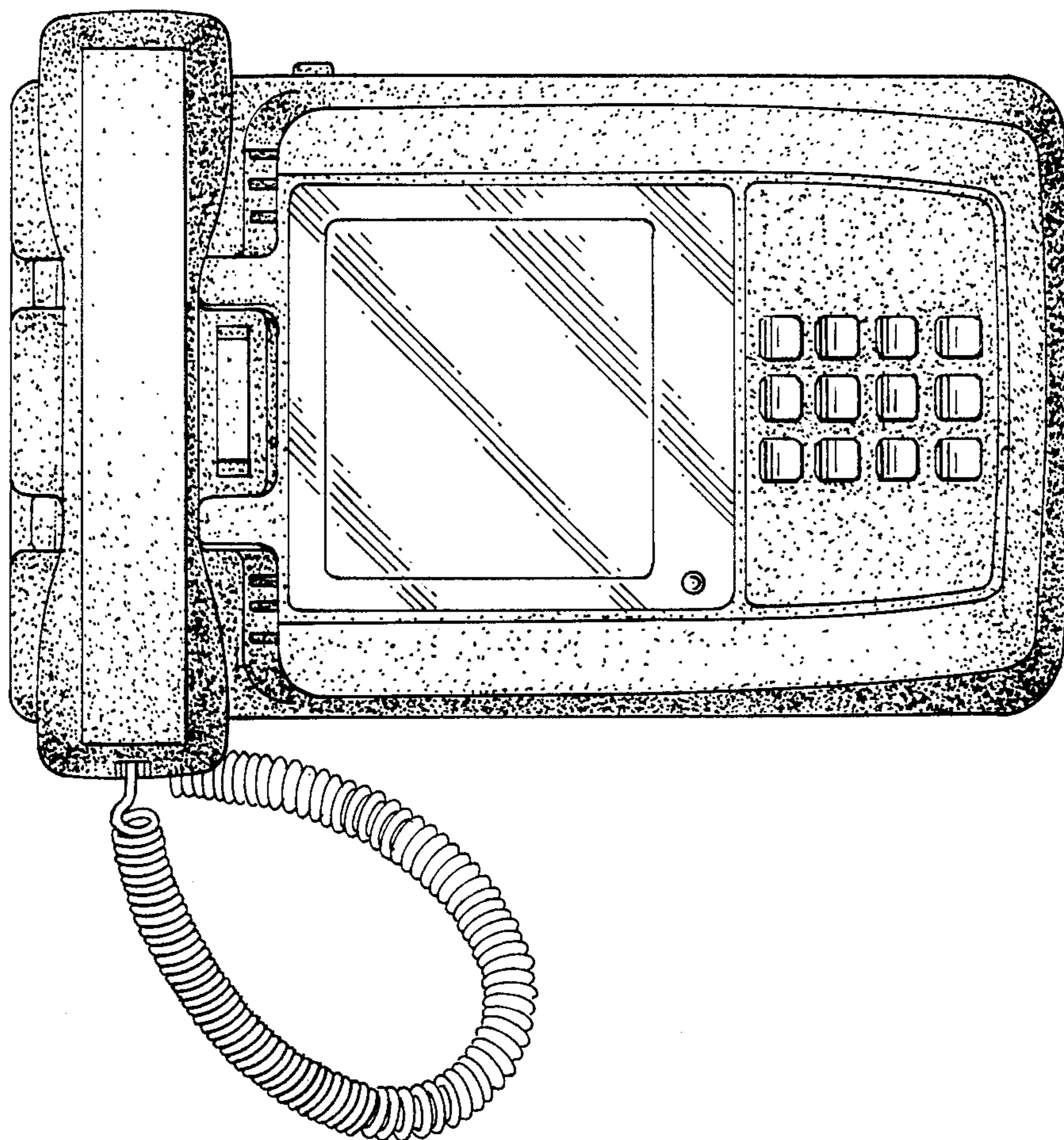


FIG. 4

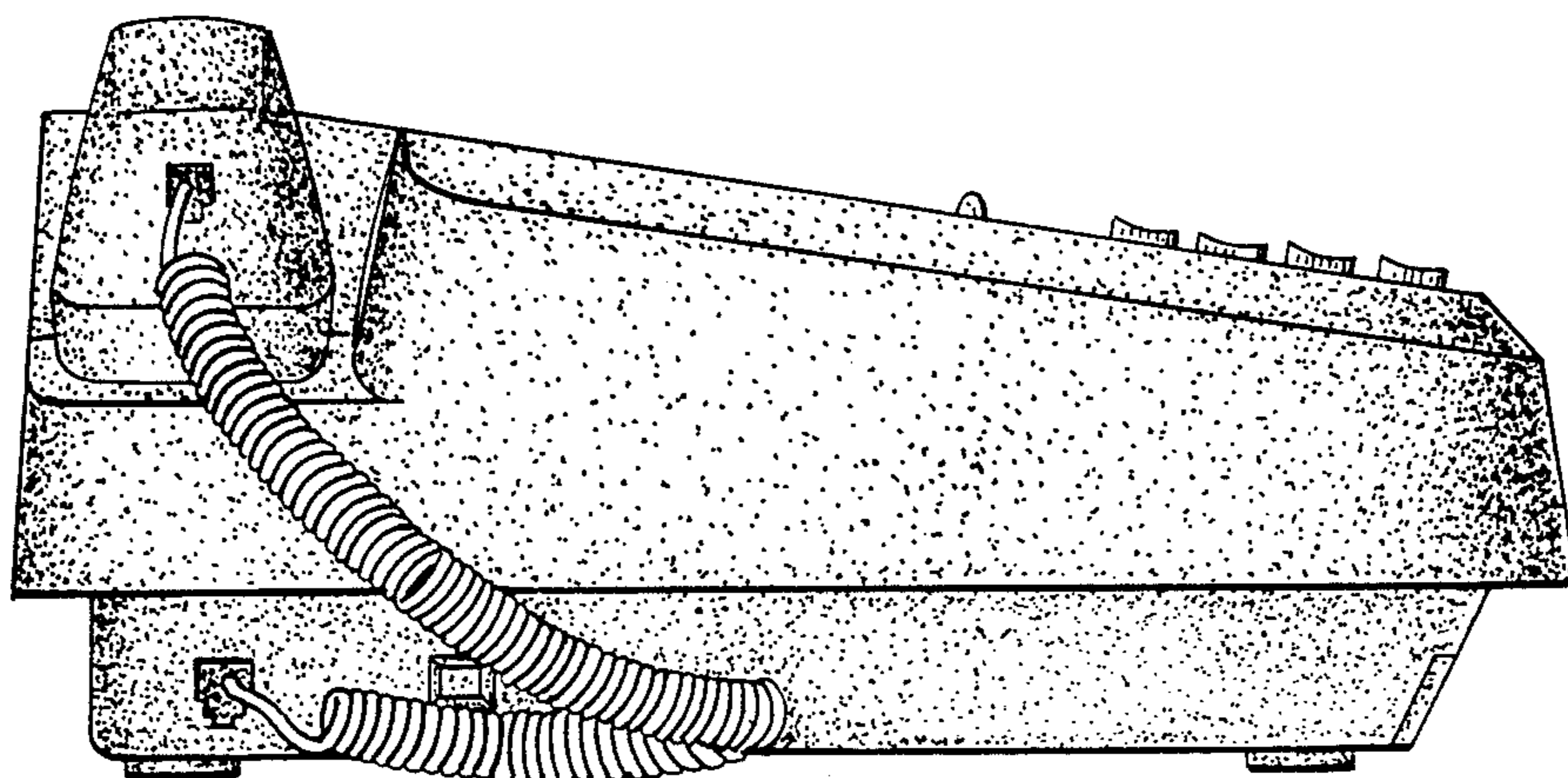


FIG. 5

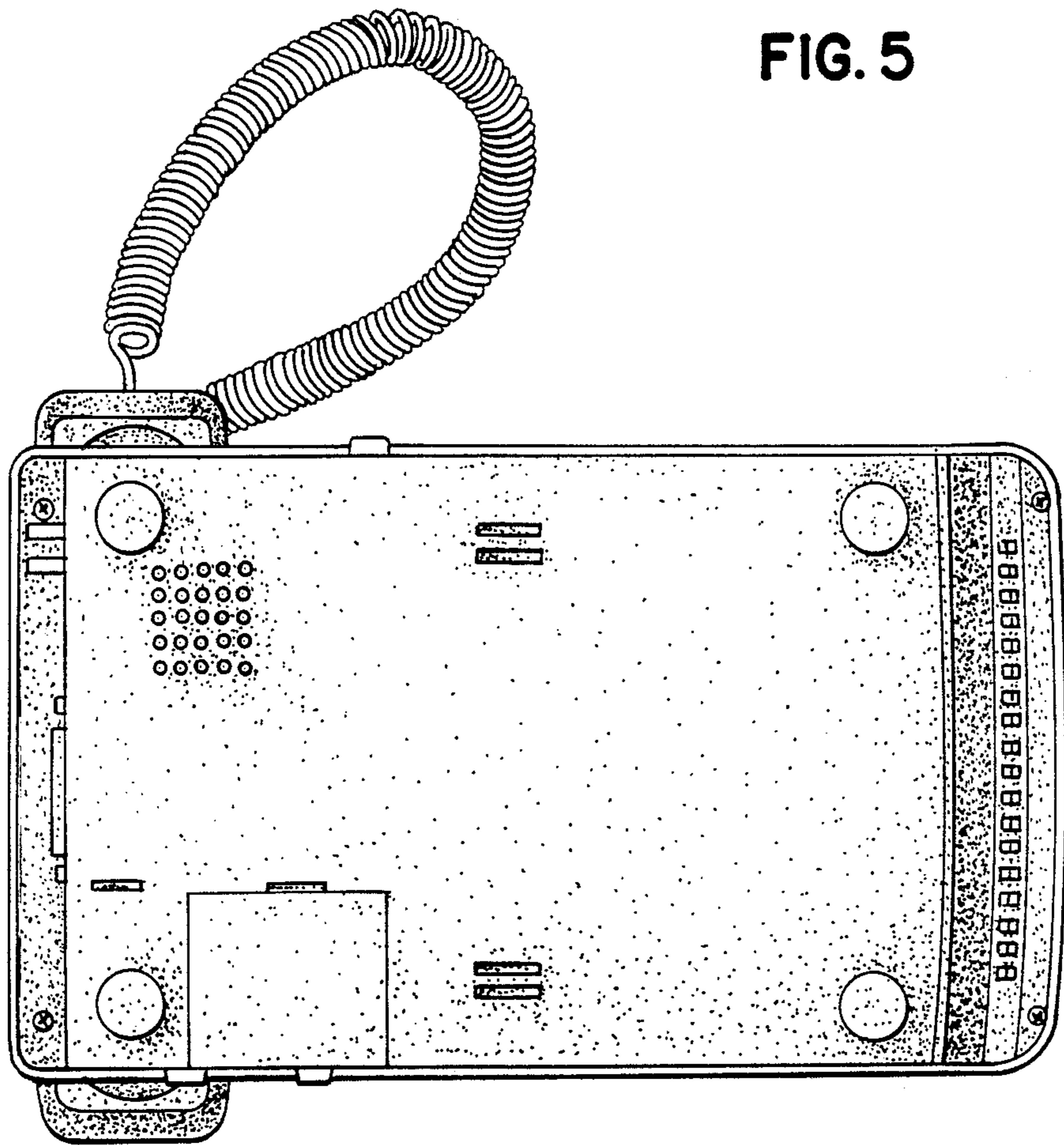


FIG. 6

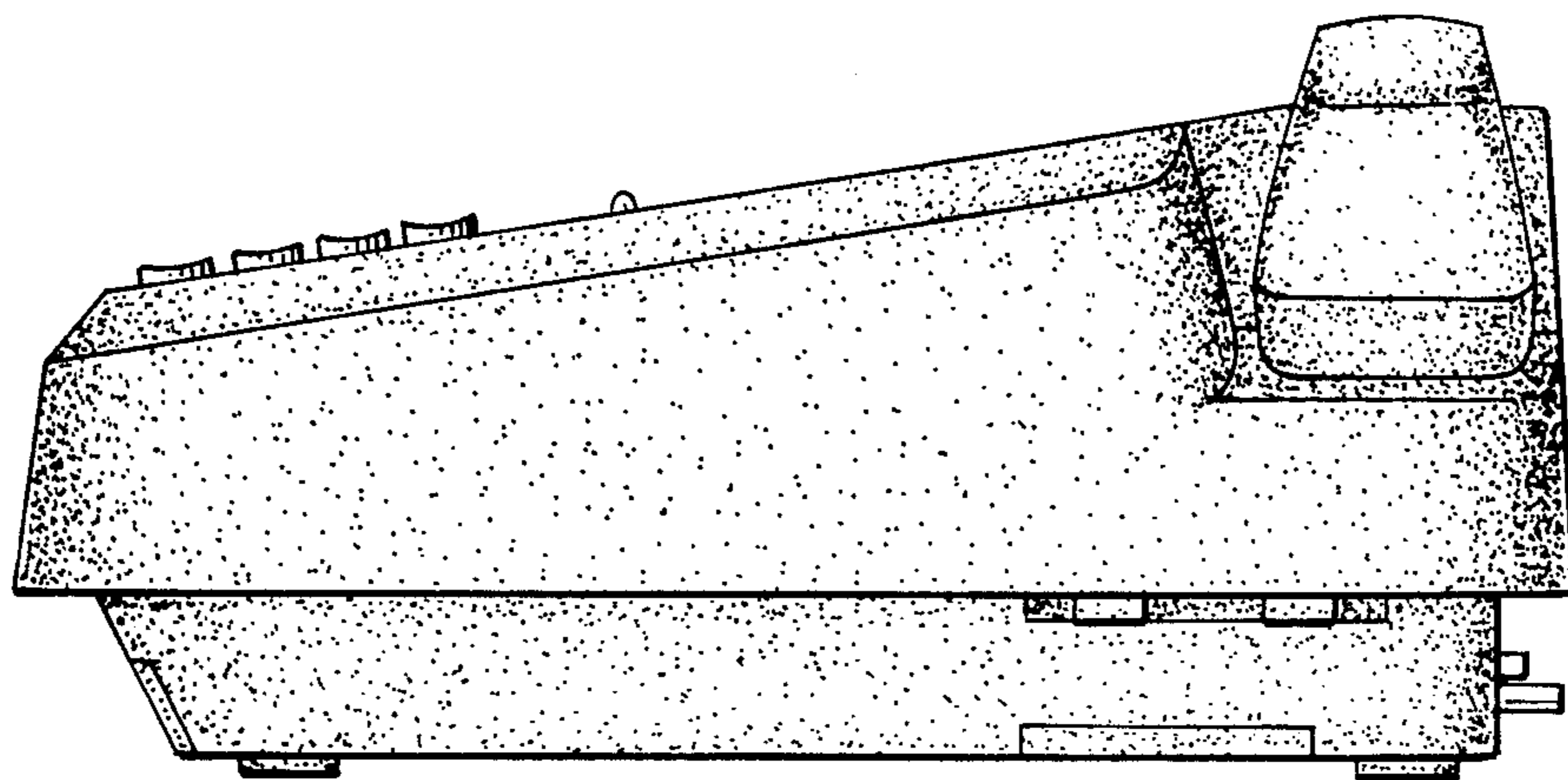


FIG. 7

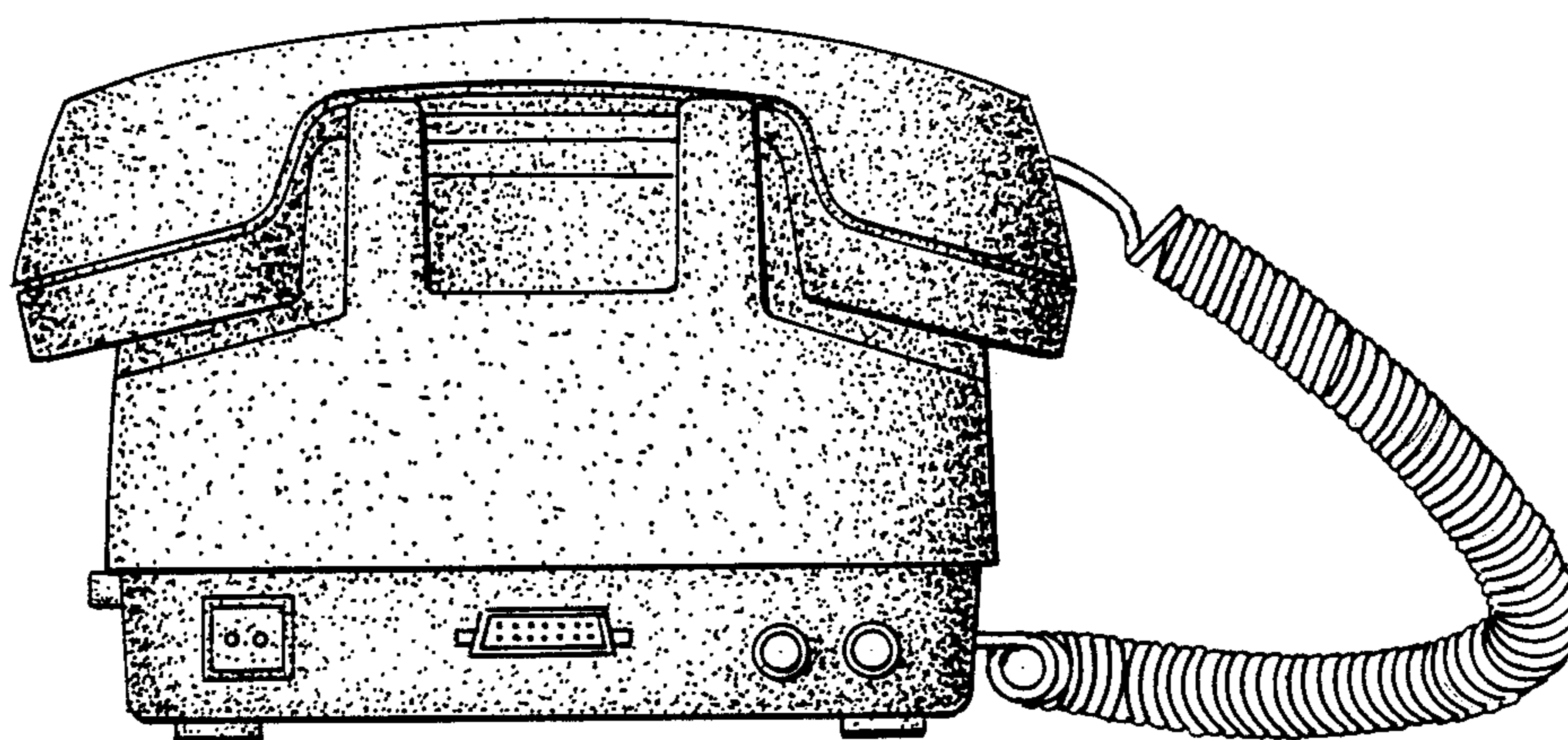


FIG. 8

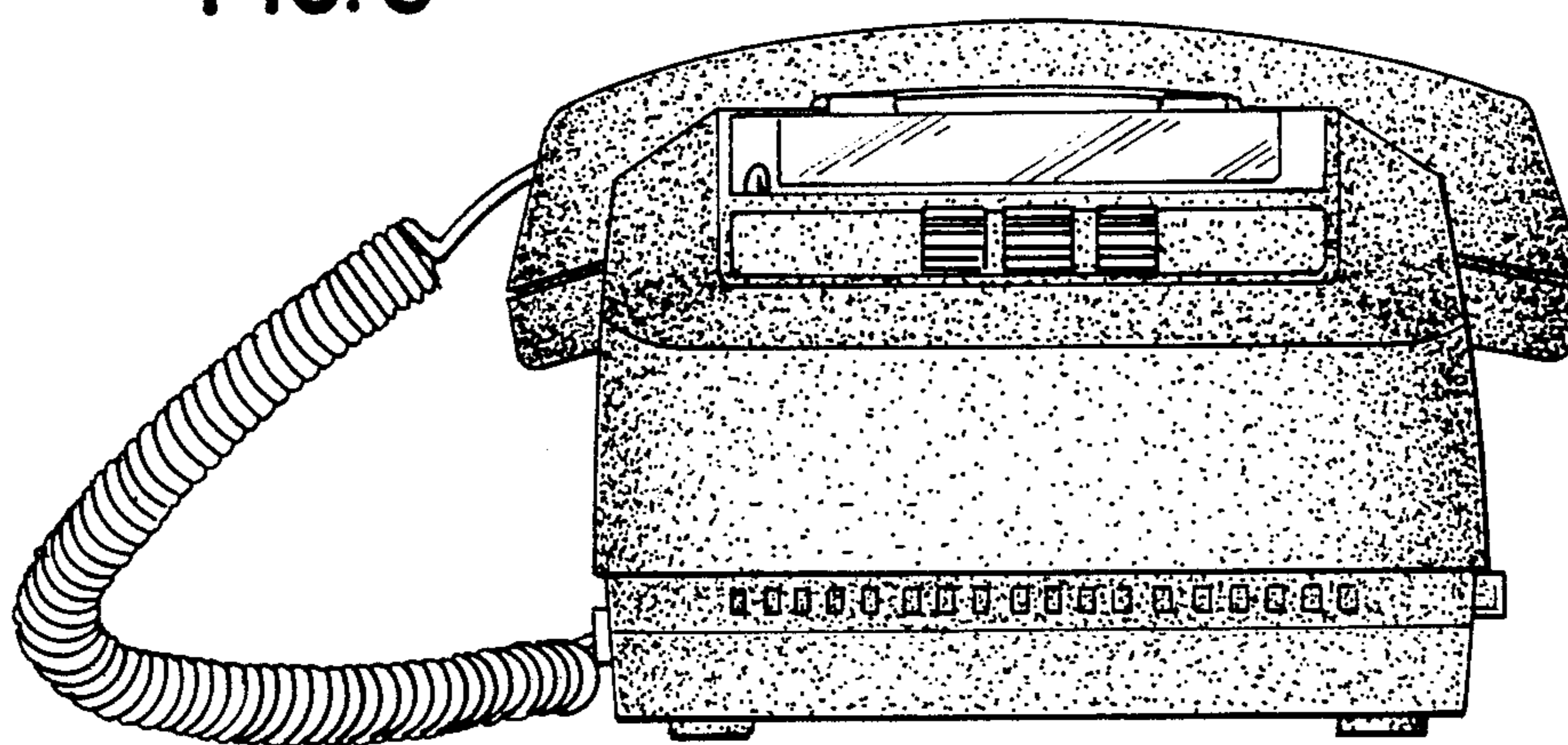


FIG. 9

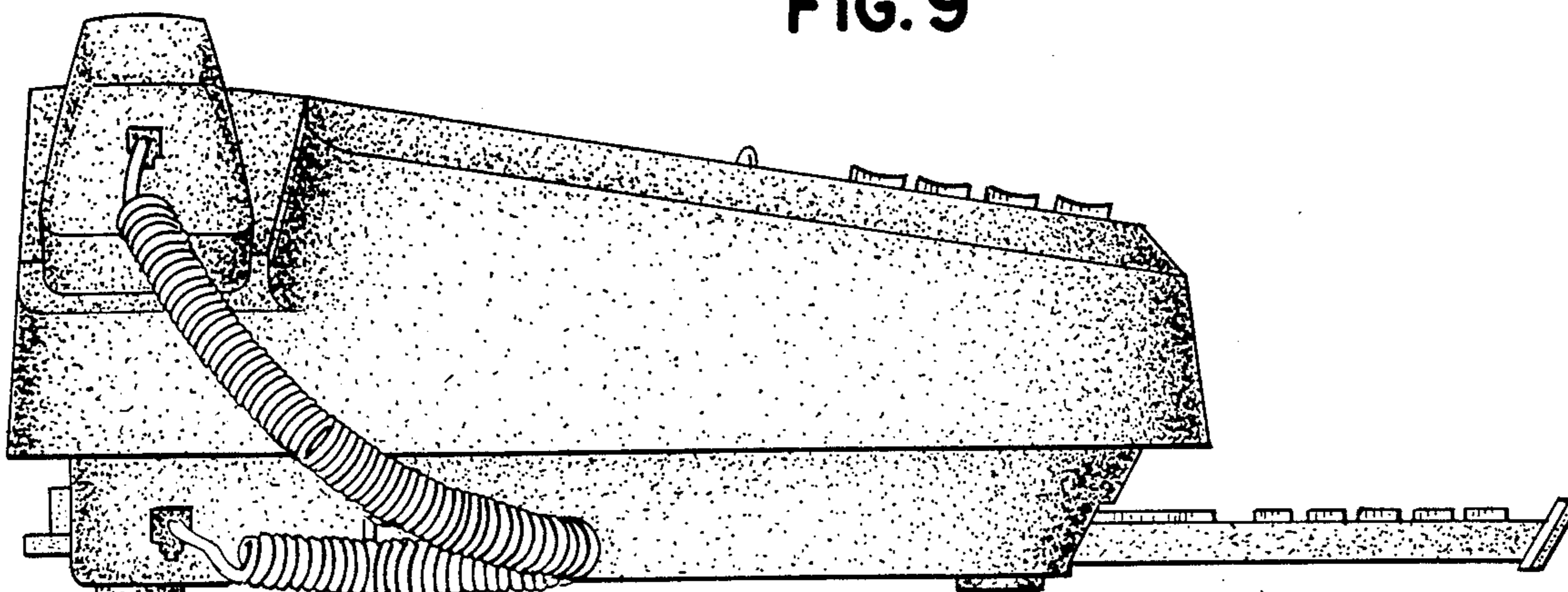


FIG. 10

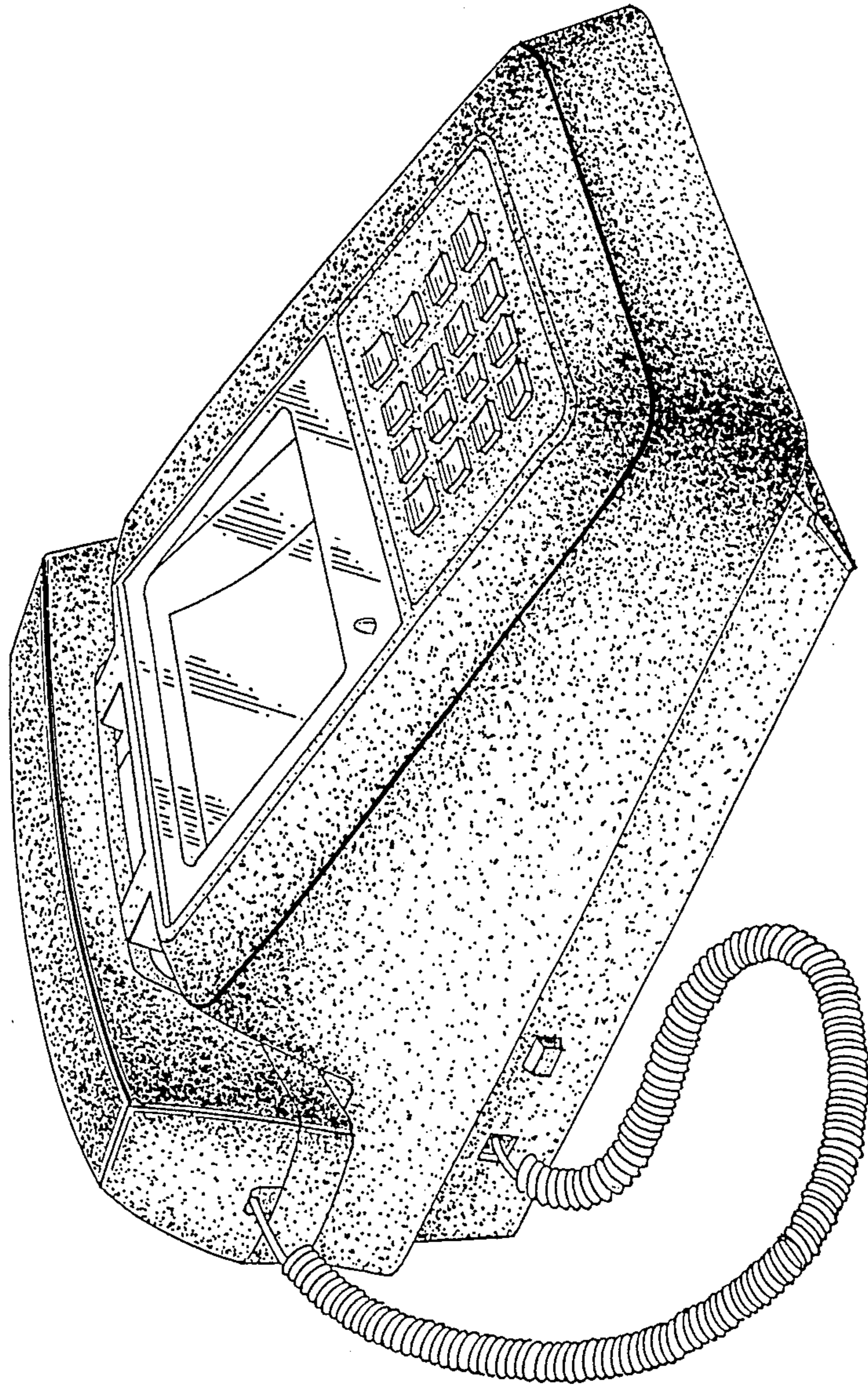


FIG. II

