

[54] FACSIMILE TRANSCEIVER

[75] Inventors: Hajime Takayama; Hiroshi Okano, both of Kanagawa, Japan

[73] Assignee: Matsushita Graphic Communication Systems, Inc., Tokyo, Japan

[**] Term: 14 Years

[21] Appl. No.: 162,372

[22] Filed: Feb. 25, 1988

[30] Foreign Application Priority Data

Aug. 26, 1987 [JP] Japan 62-34830

[52] U.S. Cl. D14/118

[58] Field of Search D14/118, 141, 148; D8/36, 37; 358/400, 401

[56] References Cited

U.S. PATENT DOCUMENTS

- D. 299,494 1/1989 Tsuruoka D14/118
- D. 300,139 3/1989 Nishio D14/118
- D. 304,187 10/1989 Komatsu D14/118
- D. 304,450 11/1989 Hosogai et al. D14/118
- D. 304,578 11/1989 Saegusa et al. D14/118

OTHER PUBLICATIONS

The Office; Sep. 1987; p. 148; right center—Murata Business Systems Model F-20 Facsimile.

Panasonic Catalog on Panafax Jr. Facsimile Transceiver of May 1987.

NEC Catalog on NEFAX-15 Facsimile Transceiver, dated May 22, 1987.

Primary Examiner—Theodore M. Shooman
Attorney, Agent, or Firm—Sughrue, Mion, Zinn, Macpeak & Seas

[57] CLAIM

The ornamental design for a facsimile transceiver, as shown.

DESCRIPTION

FIG. 1 is a front, top and left side perspective view of a facsimile transceiver showing our new design; FIG. 2 is a front elevational view thereof; FIG. 3 is a top plan view thereof; FIG. 4 is a rear elevational view thereof; FIG. 5 is a bottom plan view thereof; FIG. 6 is a left side elevational view thereof; and FIG. 7 is a right side elevational view thereof.

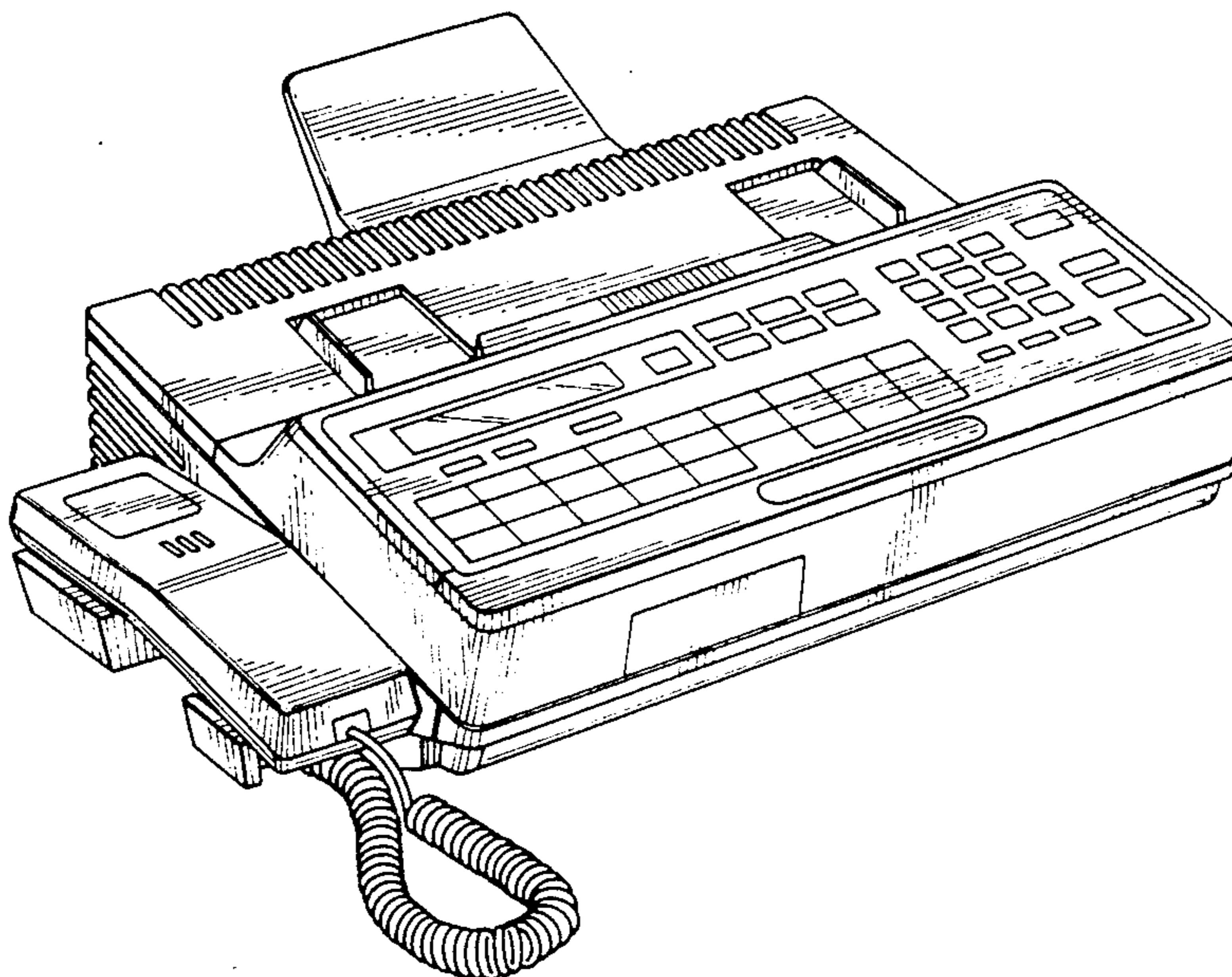


Fig. 1

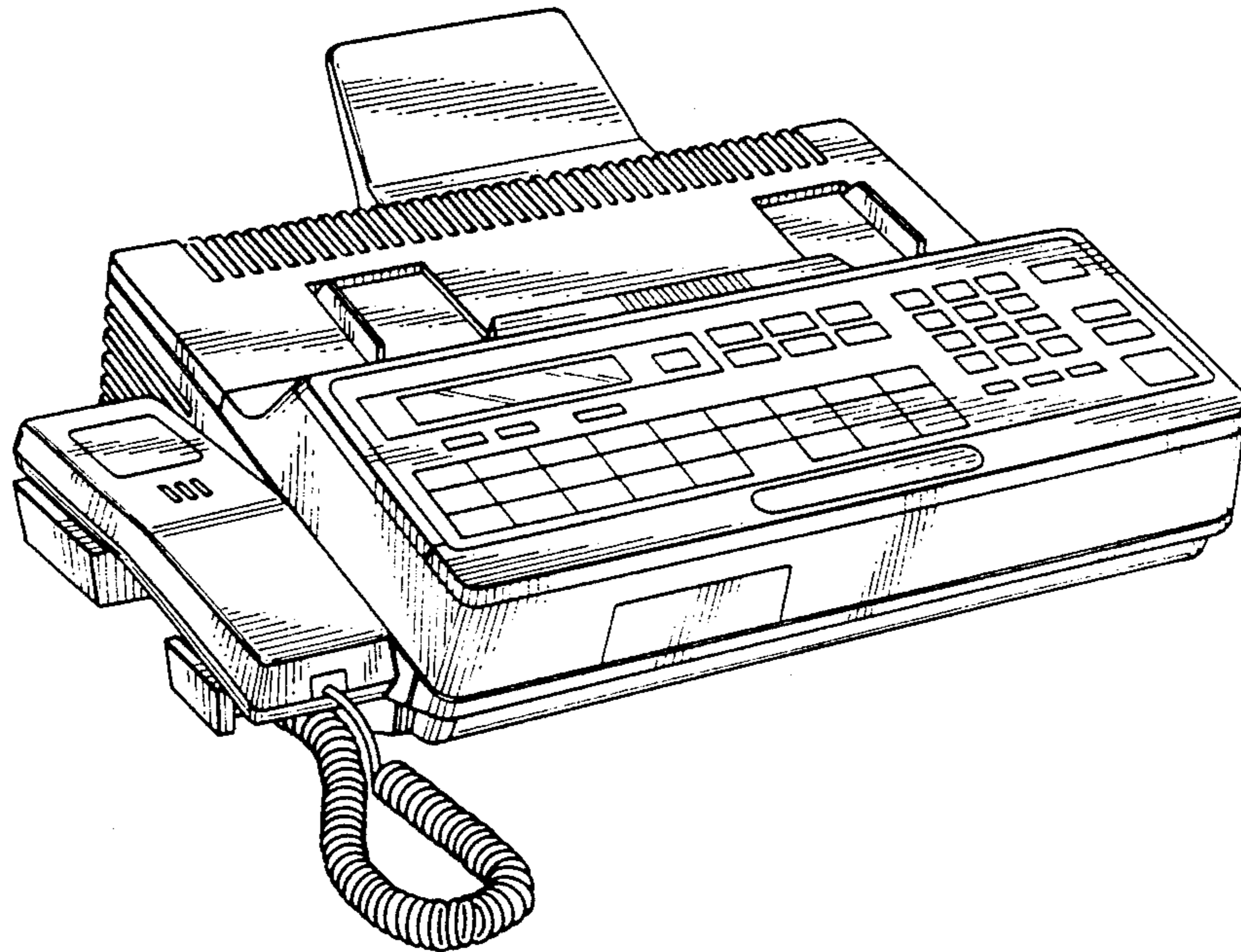


Fig. 2

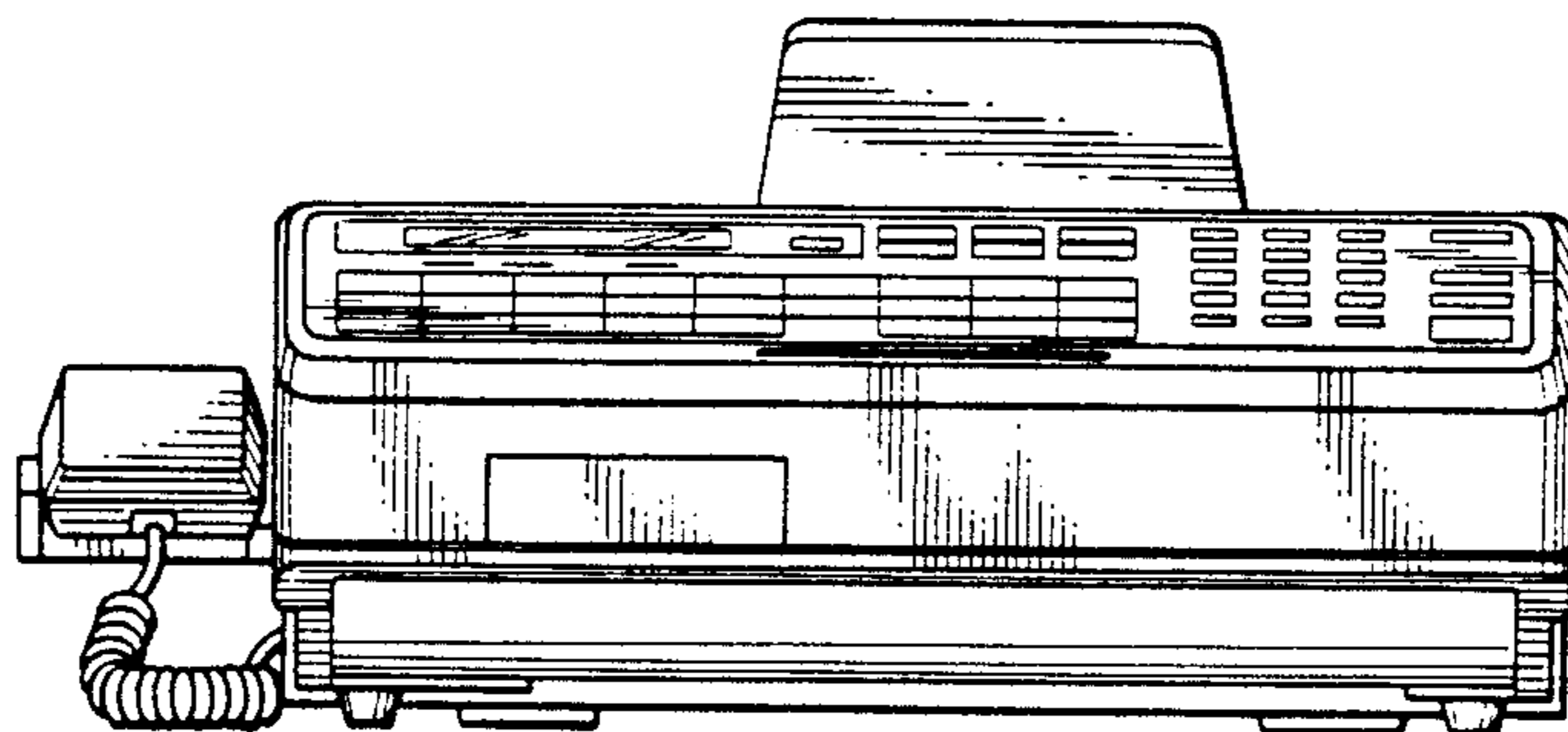


Fig. 3

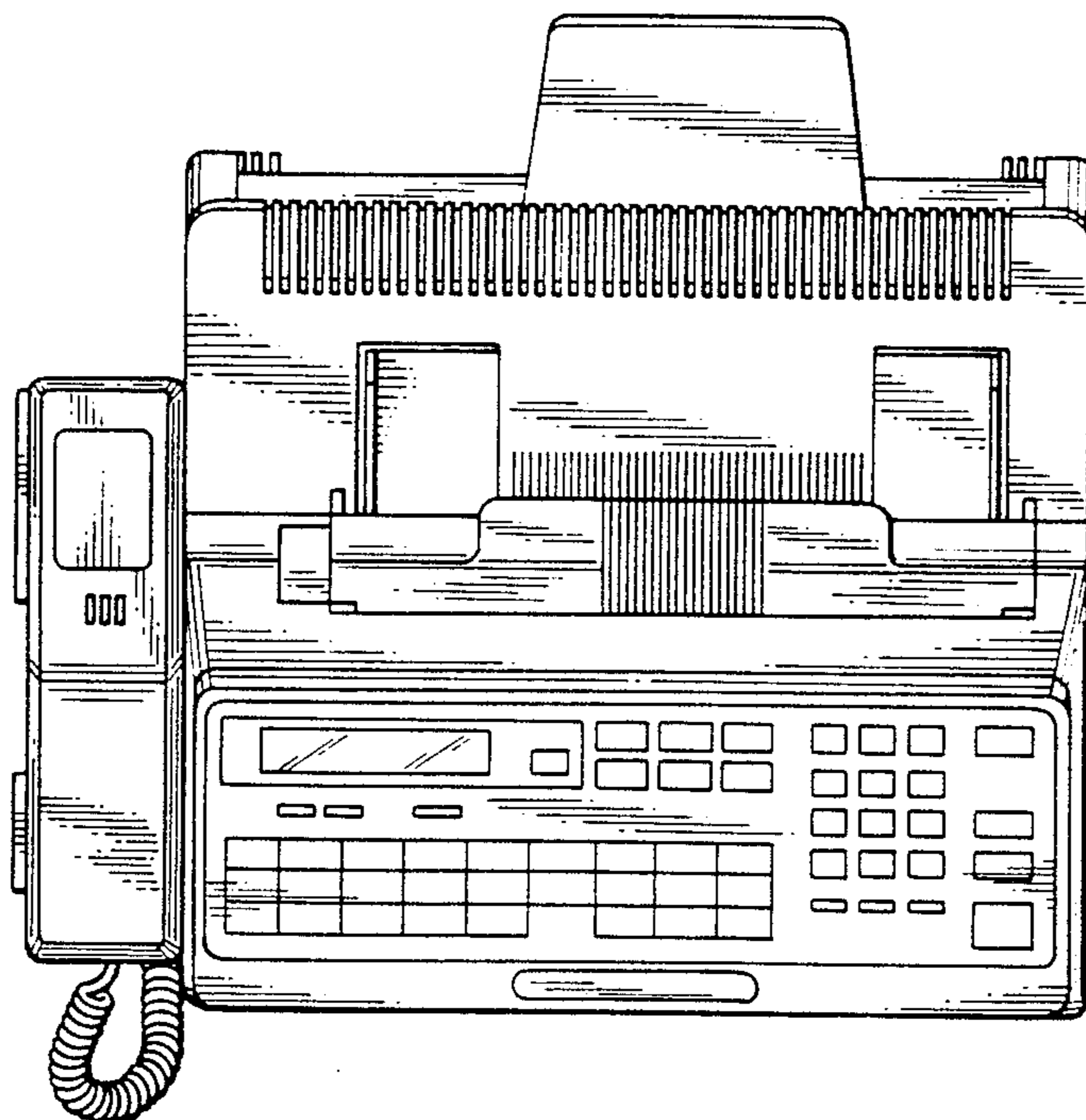


Fig. 4

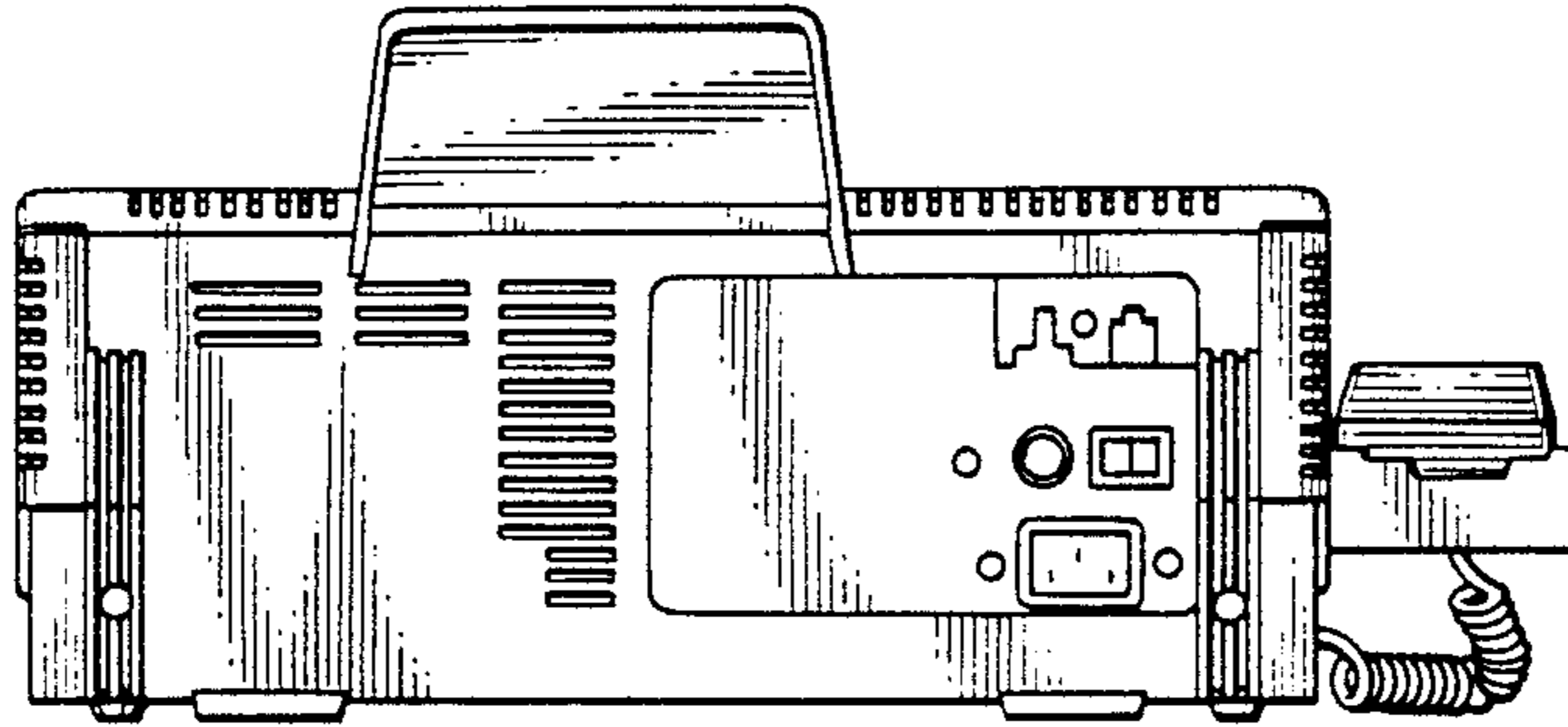


Fig. 5

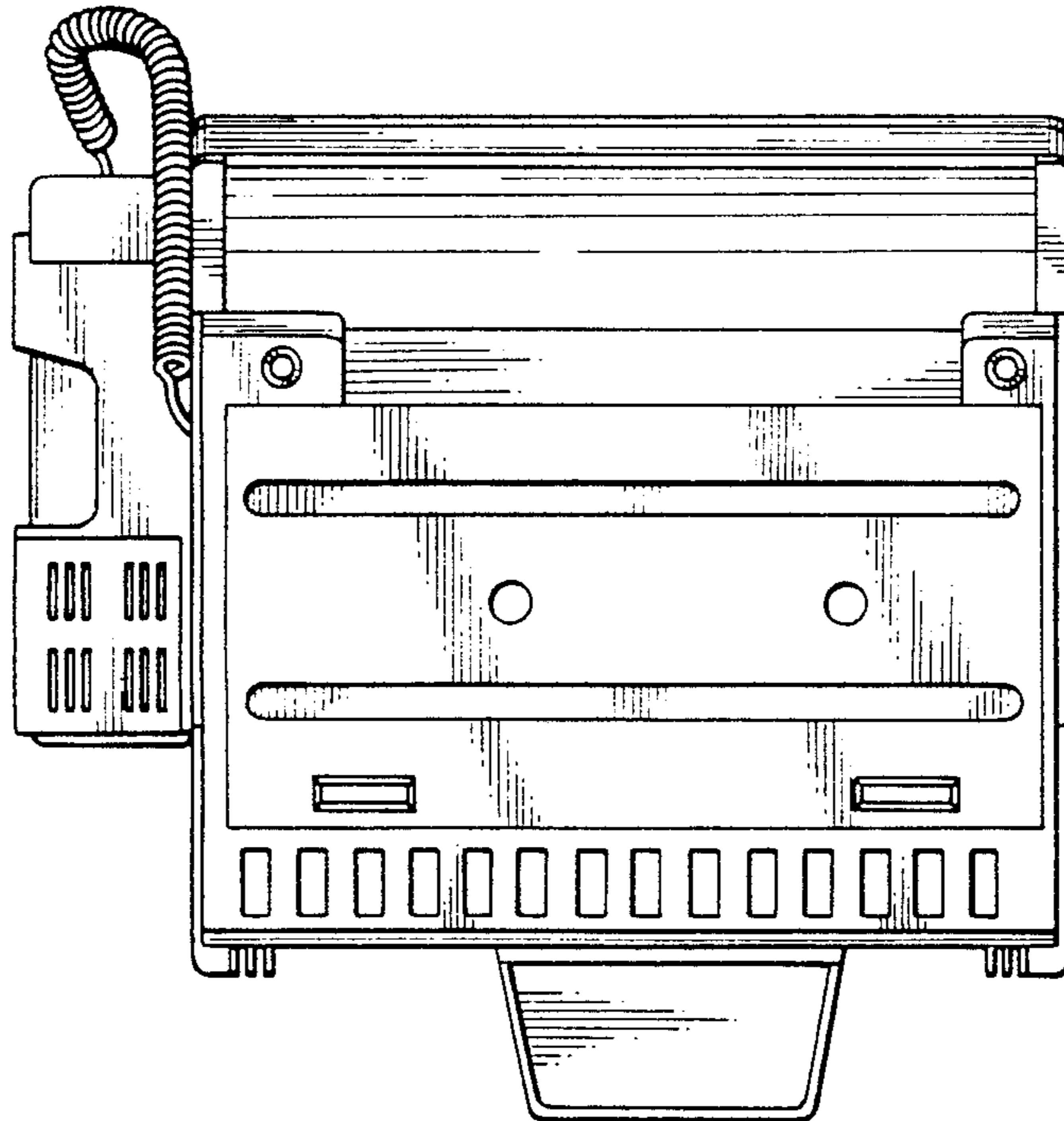


Fig. 6

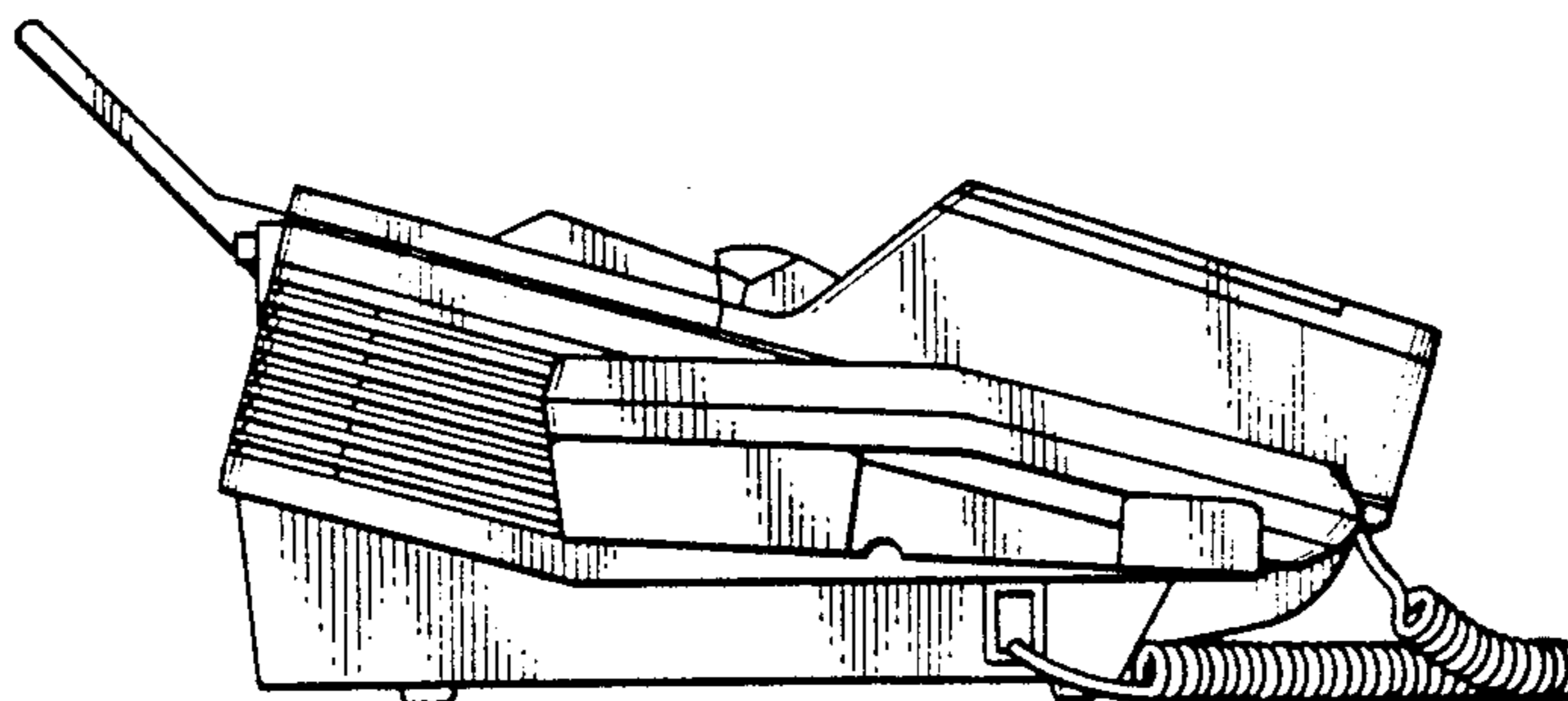


Fig. 7

