

[54] IMAGE DISPLAY MONITOR

[75] Inventor: Tadami Takehara, Nagasaki, Japan

[73] Assignee: Mitsubishi Denki Kabushiki Kaisha, Tokyo, Japan

[**] Term: 14 Years

[21] Appl. No.: 219,768

[22] Filed: Jul. 18, 1988

[30] Foreign Application Priority Data

Jan. 18, 1988 [JP] Japan 63-1558

[52] U.S. Cl. D14/113

[58] Field of Search D14/100, 101, 106, 113, D14/115, 124, 125; D18/1, 7, 11, 12; 235/145 A, 145 R; 340/700, 706, 711, 712; 341/22, 23; 358/249, 254; 364/706-710; 400/489, 492; 312/7.2, 208

[56] References Cited

U.S. PATENT DOCUMENTS

D. 274,727 7/1984 Shibata D14/113

D. 276,343 11/1984 Enomoto D14/113
D. 280,407 9/1985 Sakamoto D14/113
D. 282,846 3/1986 Tsuburaya et al. D14/113
D. 292,402 10/1987 Saeki et al. D14/113 X

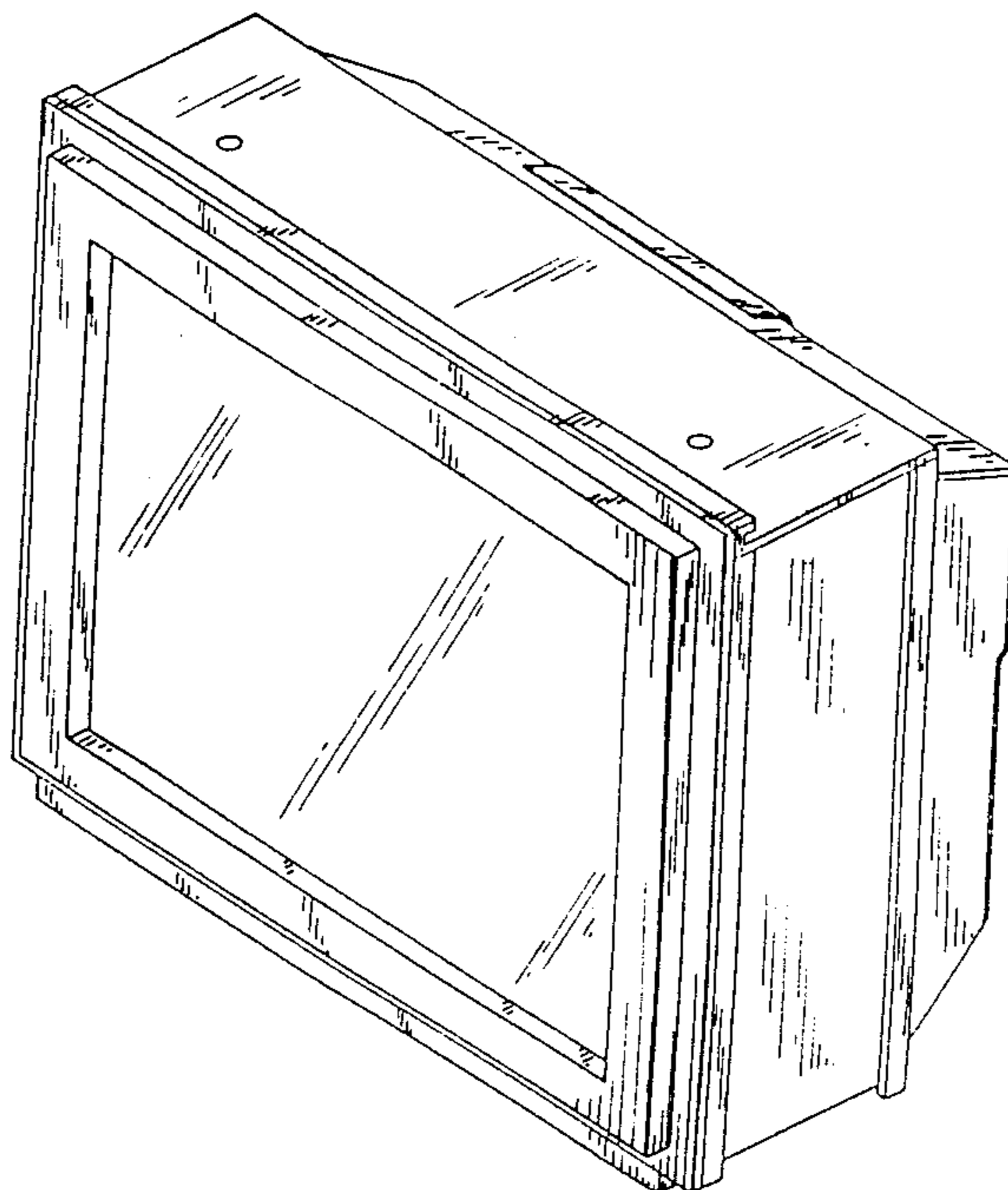
Primary Examiner—Susan J. Lucas
Assistant Examiner—Freda S. Nunn
Attorney, Agent, or Firm—Lowe, Price, LeBlanc, Becker & Shur

[57] CLAIM

The ornamental design for an image display monitor, as shown and described.

DESCRIPTION

FIG. 1 is a right side elevational view of an image display monitor showing my new design, the left side being a mirror image;
FIG. 2 is a rear elevational view thereof;
FIG. 3 is a bottom plan view thereof;
FIG. 4 is a front elevational view thereof;
FIG. 5 is a top plan view thereof;
FIG. 6 is a top, front, right side perspective view thereof;
FIG. 7 is a top, rear, right side perspective view thereof.



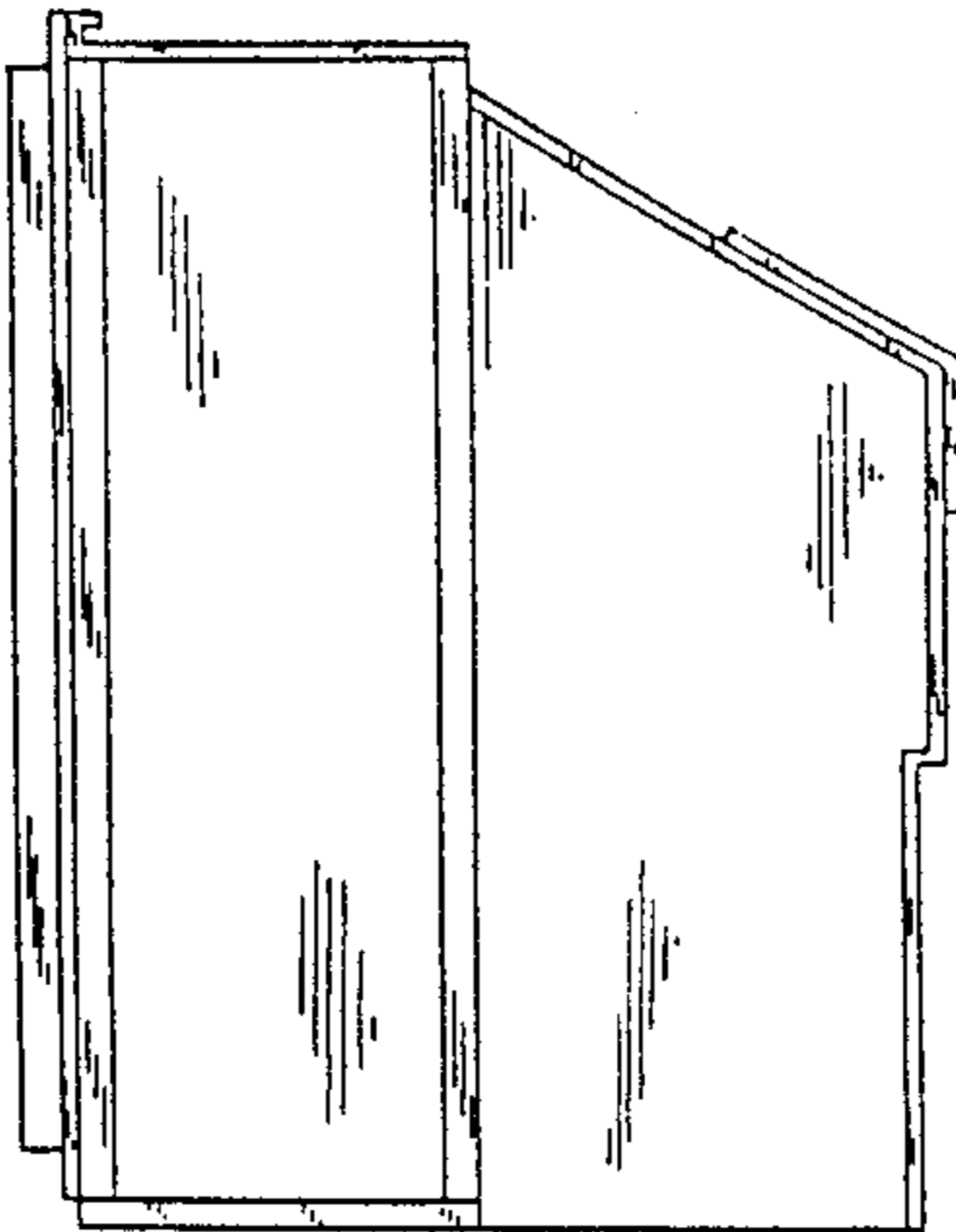


FIG. 1

FIG. 2

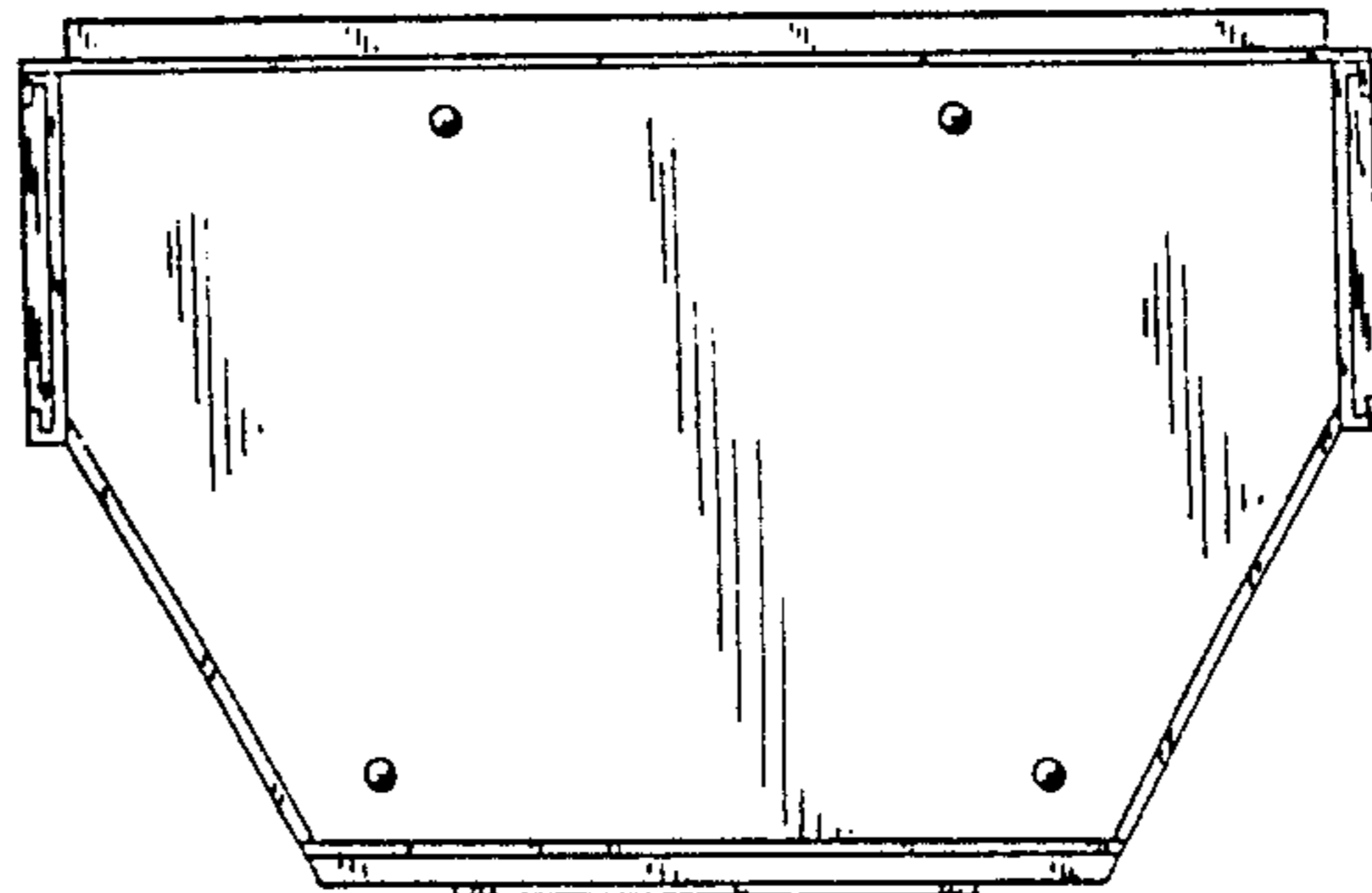
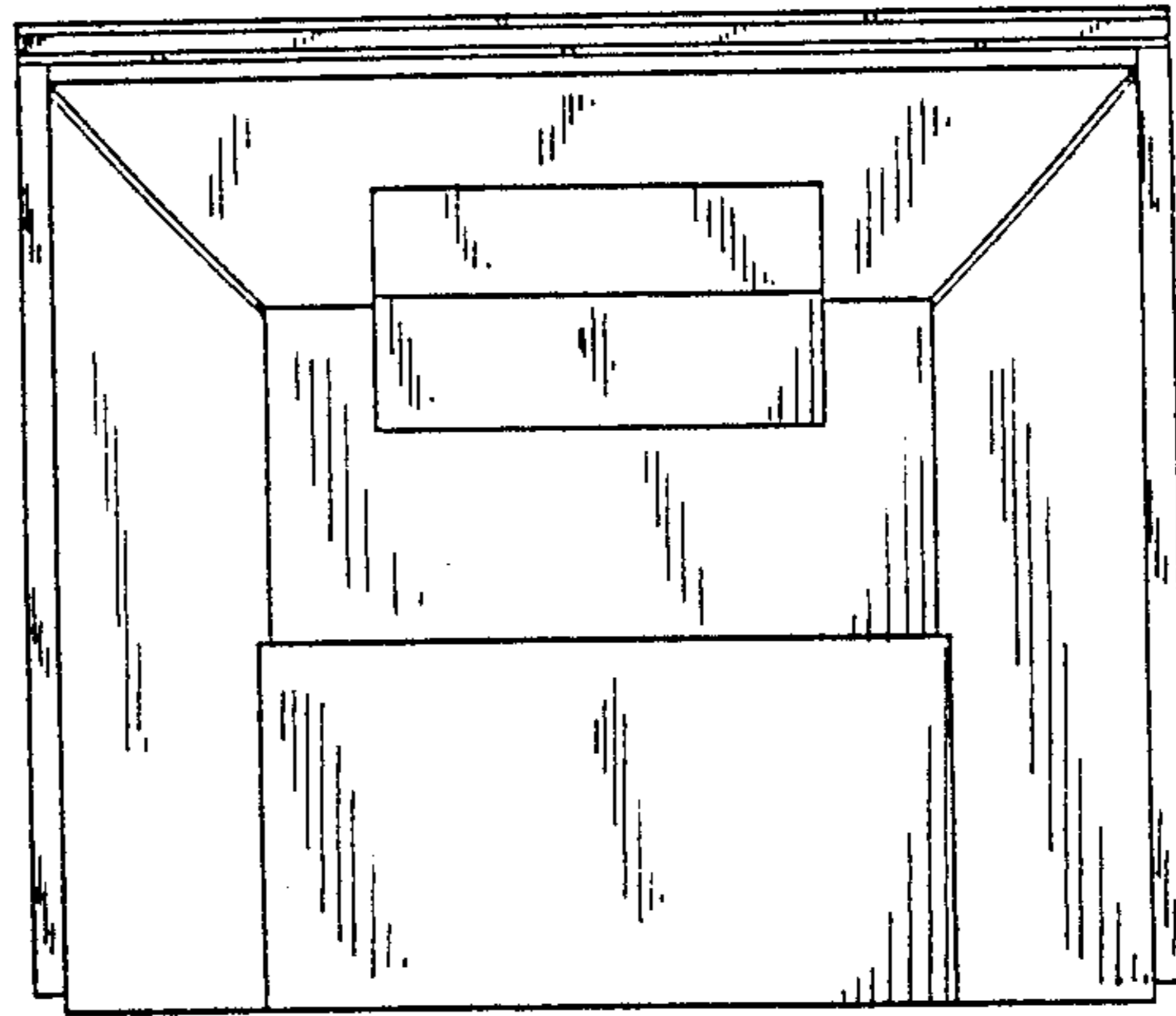


FIG. 3

FIG. 4

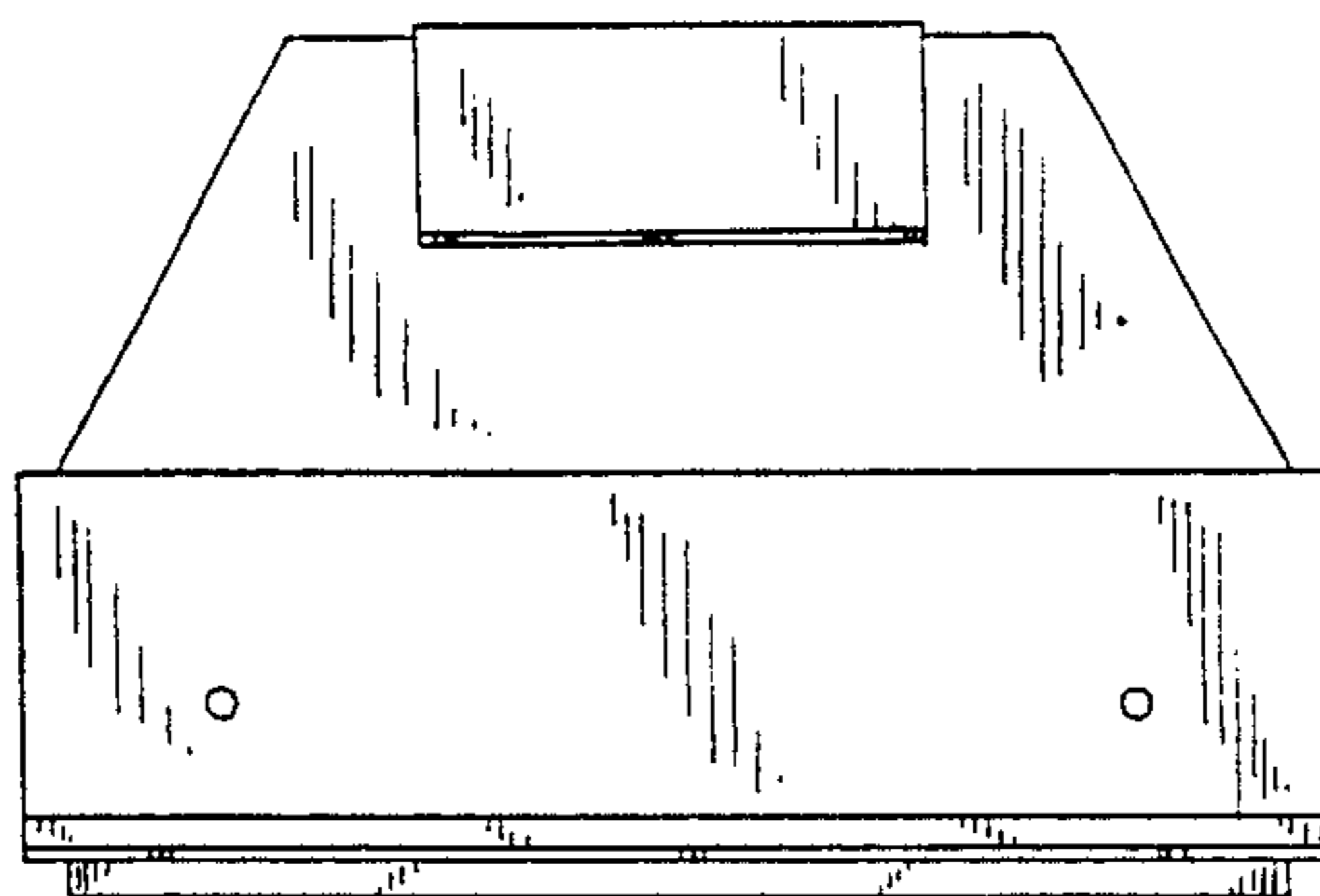
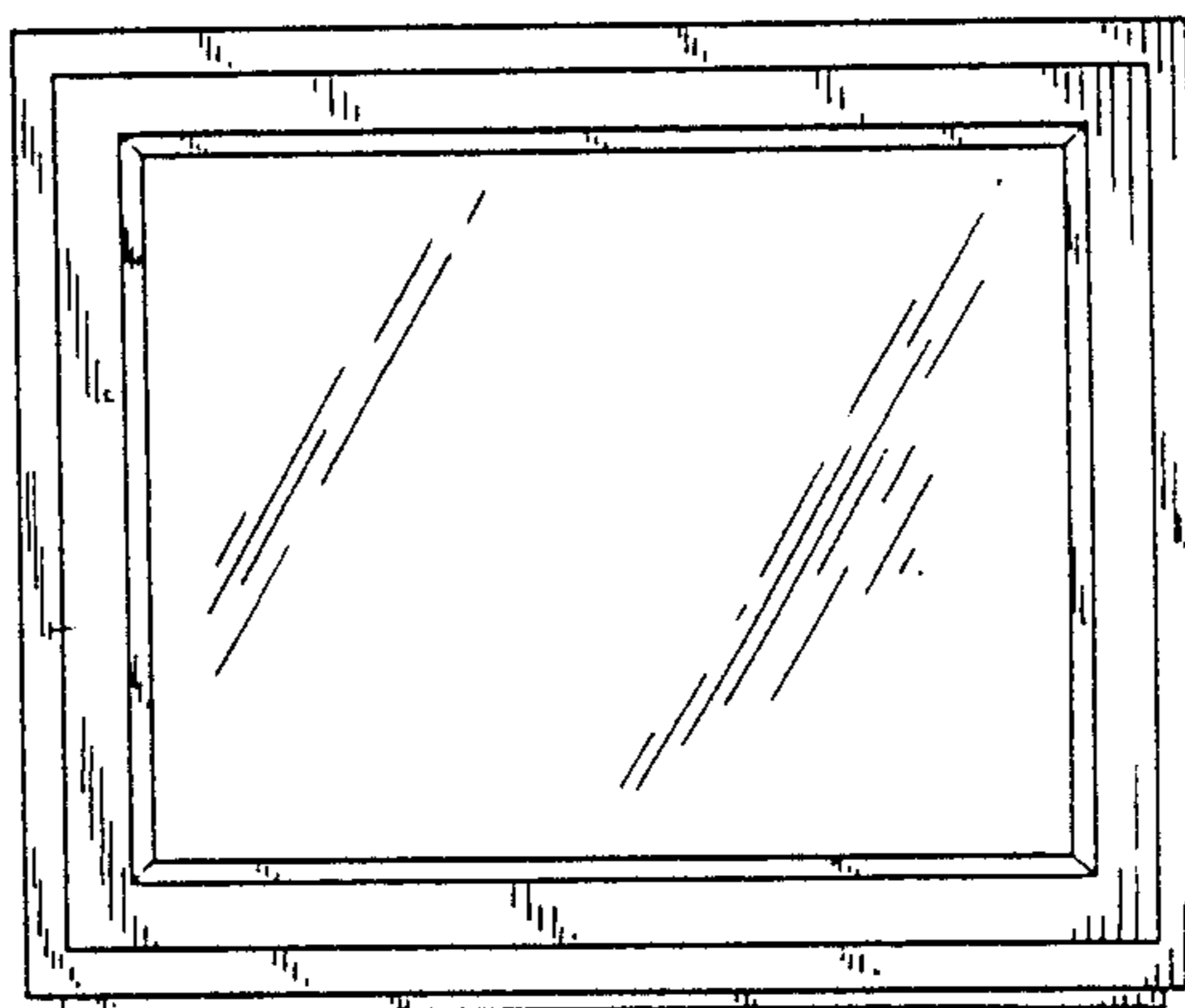


FIG. 5

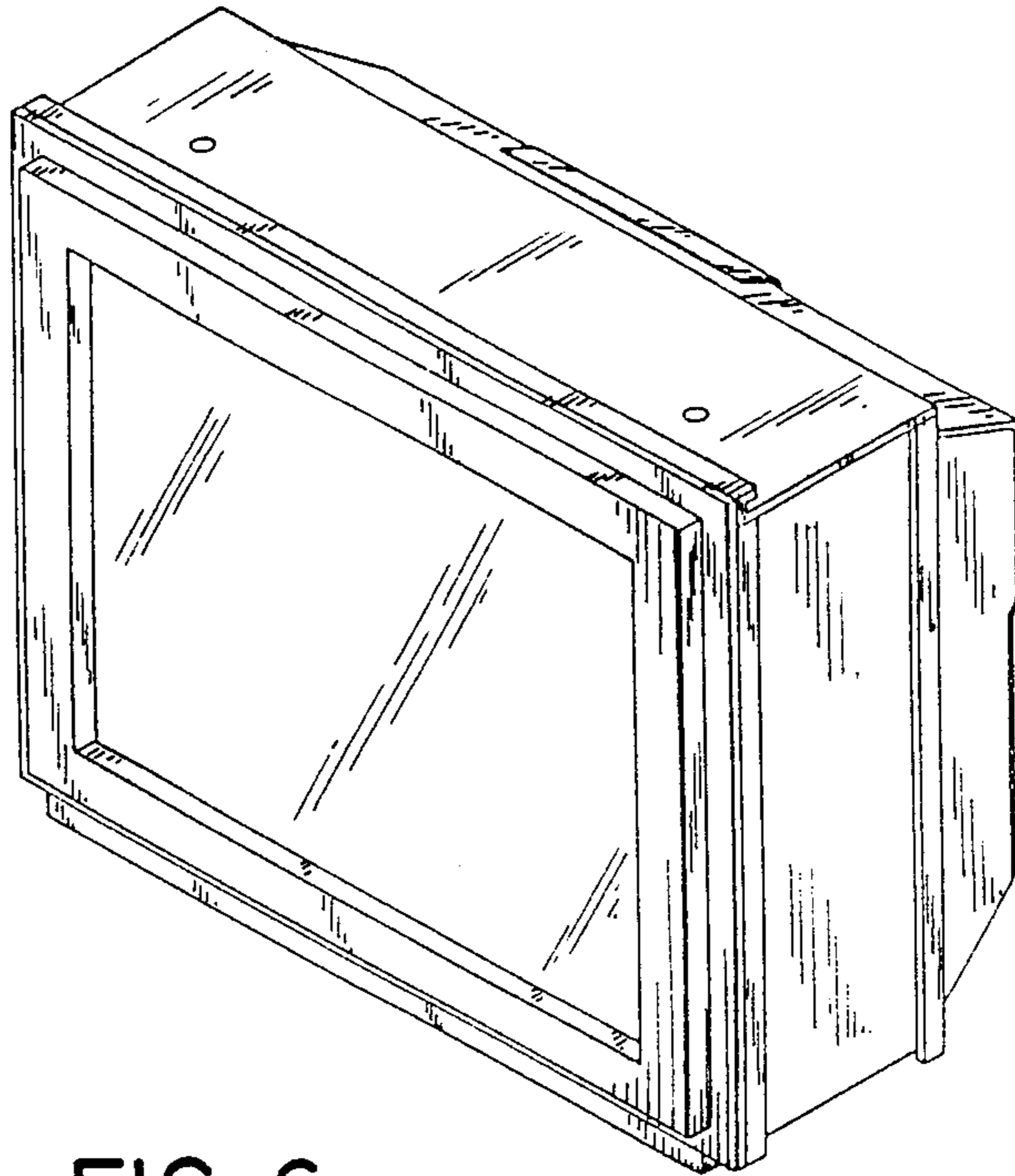


FIG. 6

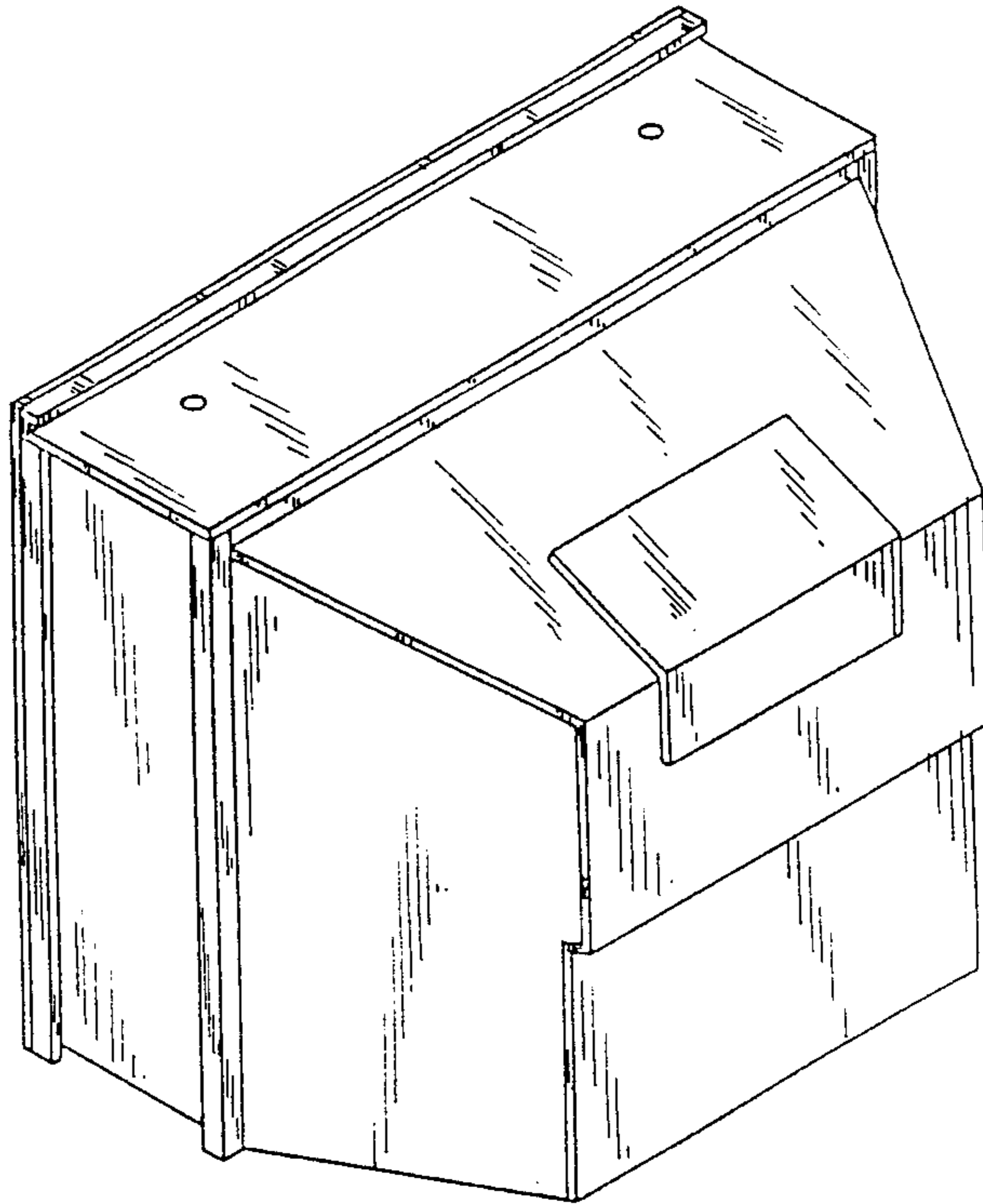


FIG. 7