

[54] WORD PROCESSOR

[75] Inventors: Masayoshi Katoh; Benito Mishiro, both of Osaka; Makoto Terauchi; Ken Kawamura, both of Ibaraki, all of Japan

[73] Assignee: Matsushita Electric Industrial Co., Ltd., Osaka, Japan

[**] Term: 14 Years

[21] Appl. No.: 321,743

[22] Filed: Mar. 10, 1989

[52] U.S. Cl. D14/106; D18/1

[58] Field of Search D14/100, 105, 106, 107, D14/113, 115; D18/1, 7, 11, 12; 235/145 A, 145 R; 340/700, 706, 711, 712; 341/22, 23; 358/249, 254; 364/706-710

[56] References Cited

U.S. PATENT DOCUMENTS

- D. 290,845 7/1985 Yubisui et al. D14/100 X
- D. 294,831 3/1988 Hara et al. D14/106
- D. 295,176 4/1988 Nishimoto et al. D14/106
- D. 295,519 5/1988 Kimble D14/106

FOREIGN PATENT DOCUMENTS

- 684172 8/1986 Japan D14/106

OTHER PUBLICATIONS

- Ricoh Catalog, "JP90FX", Dec. 1987.
- Sanyo Catalog, "ES'100", Aug. 1988.
- Sony Catalog, "PJ-200", Sep. 1988.
- Sharp Catalog, "WV-500", Dec. 1988.

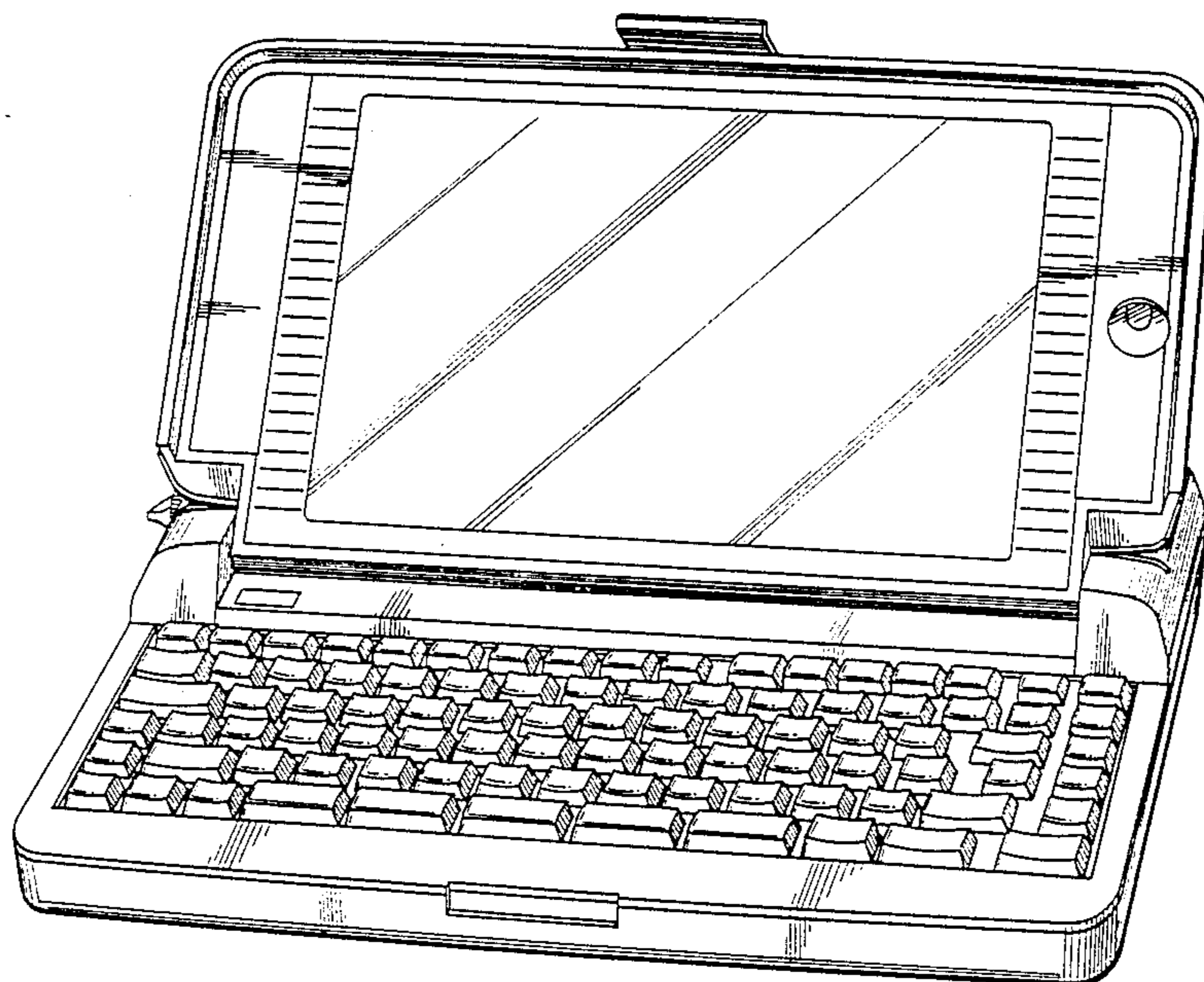
Primary Examiner—Wallace R. Burke
Assistant Examiner—Freda S. Nunn
Attorney, Agent, or Firm—Wenderoth, Lind & Ponack

[57] CLAIM

The ornamental design for a word processor, as shown and described.

DESCRIPTION

FIG. 1 is a front, top and right side perspective view of a word processor showing our new design;
 FIG. 2 is a front elevational view thereof on an enlarged scale;
 FIG. 3 is a rear elevational view thereof on an enlarged scale;
 FIG. 4 is a top plan view thereof on an enlarged scale;
 FIG. 5 is a bottom plan view thereof on an enlarged scale;
 FIG. 6 is a right side elevational view thereof on an enlarged scale;
 FIG. 7 is a left side elevational view thereof on an enlarged scale;
 FIG. 8 is a front, top, and right side perspective view thereof on an enlarged scale, with the cover closed.



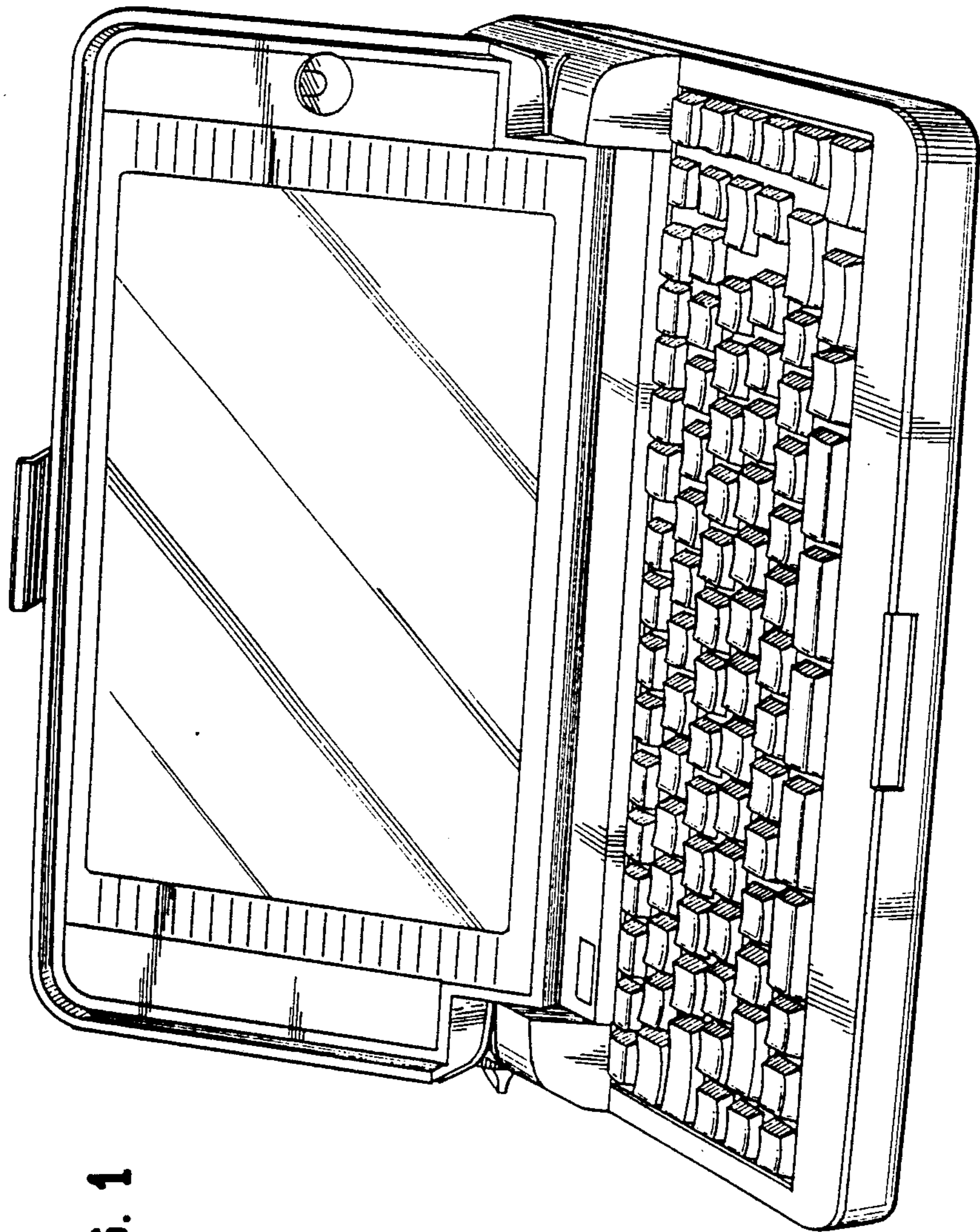


FIG. 1

FIG. 2

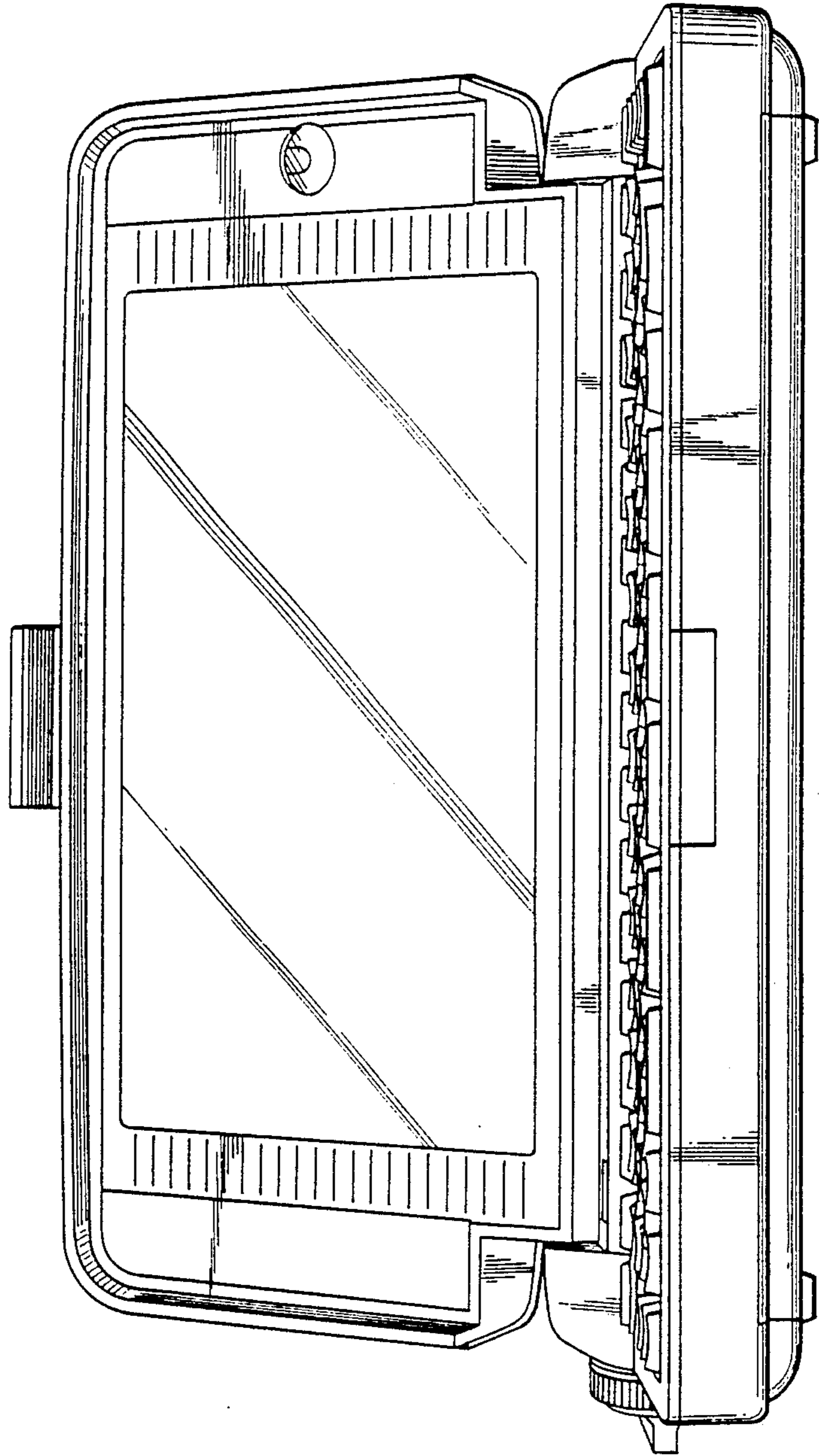
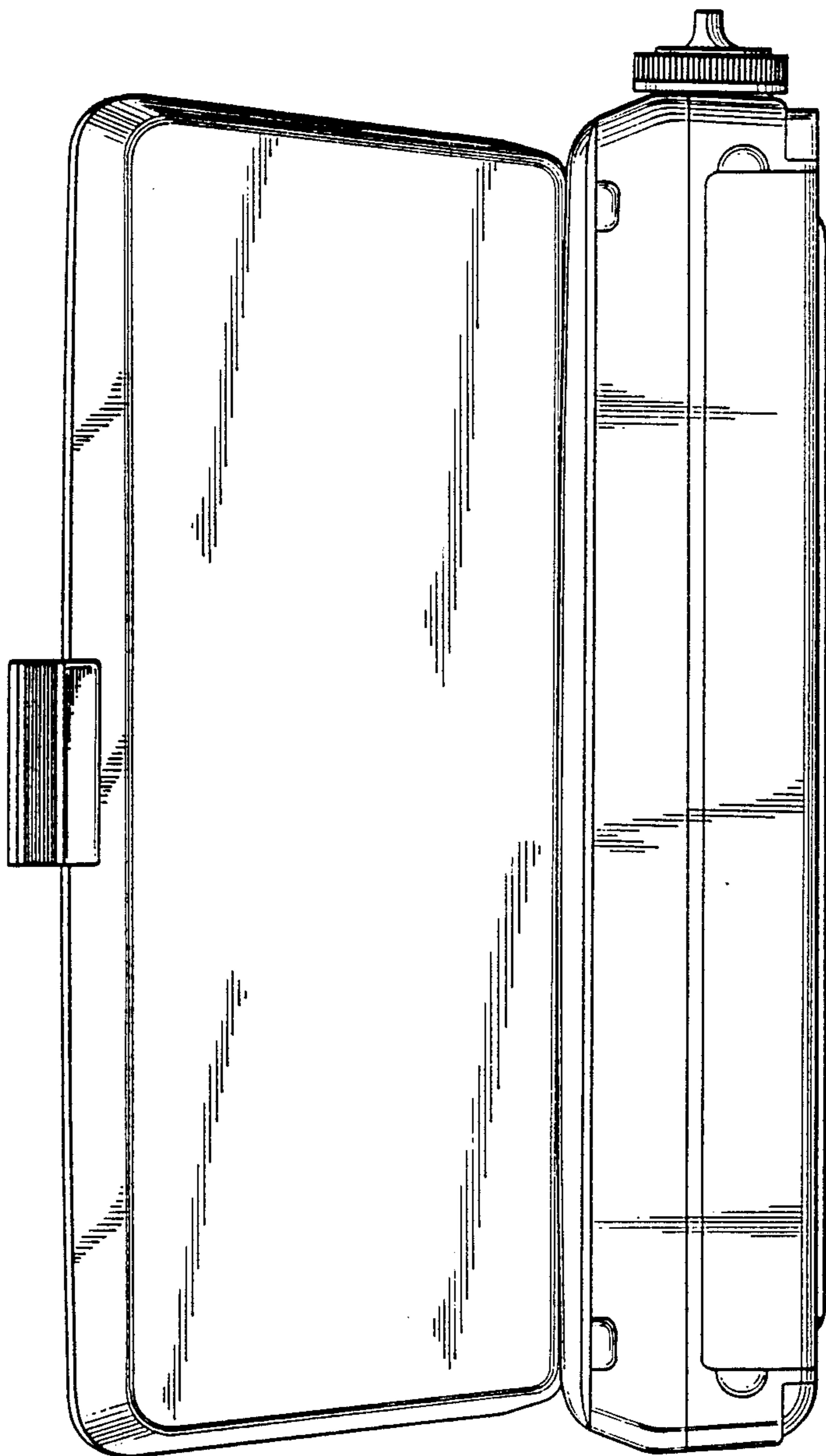


FIG. 3



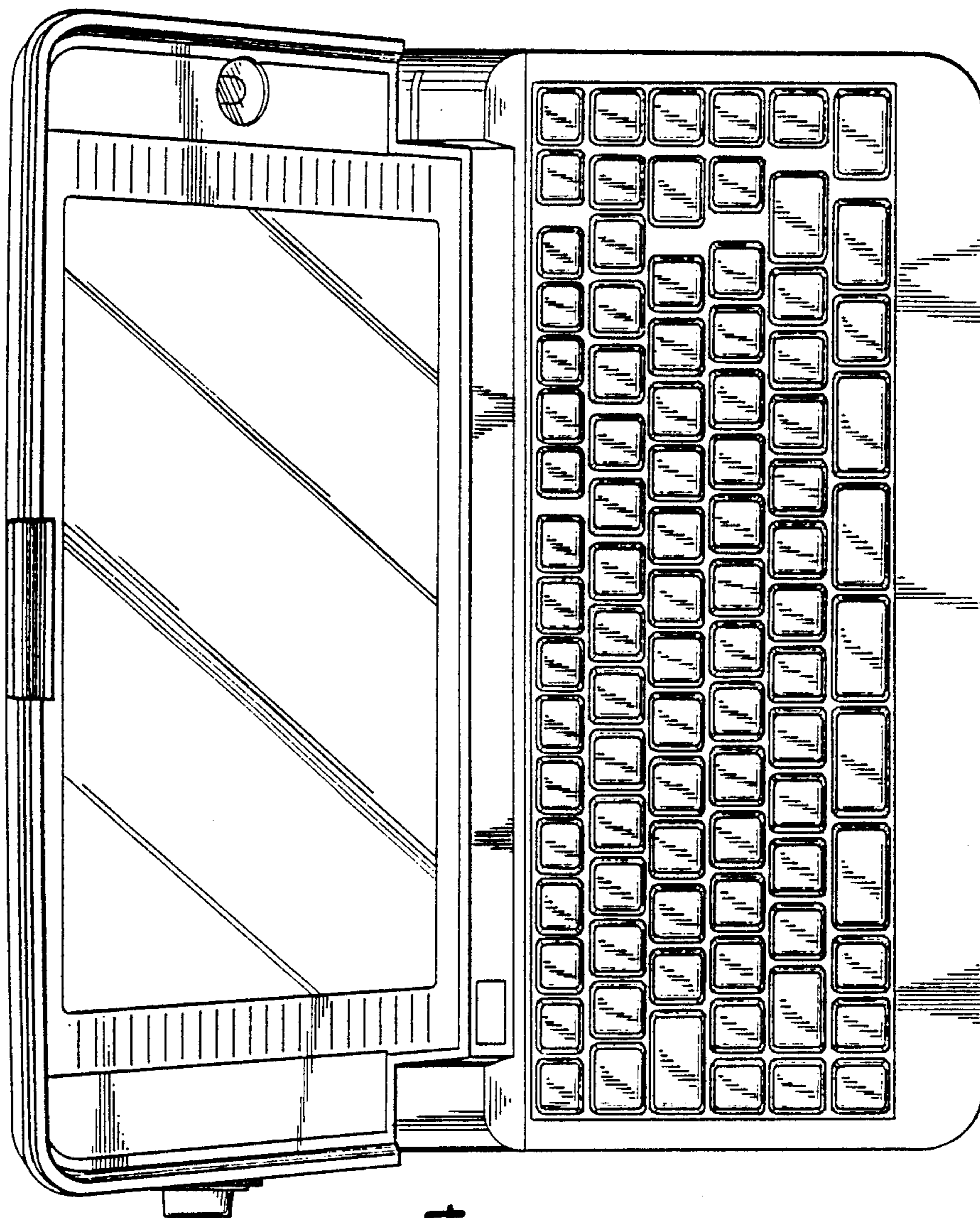


FIG. 4

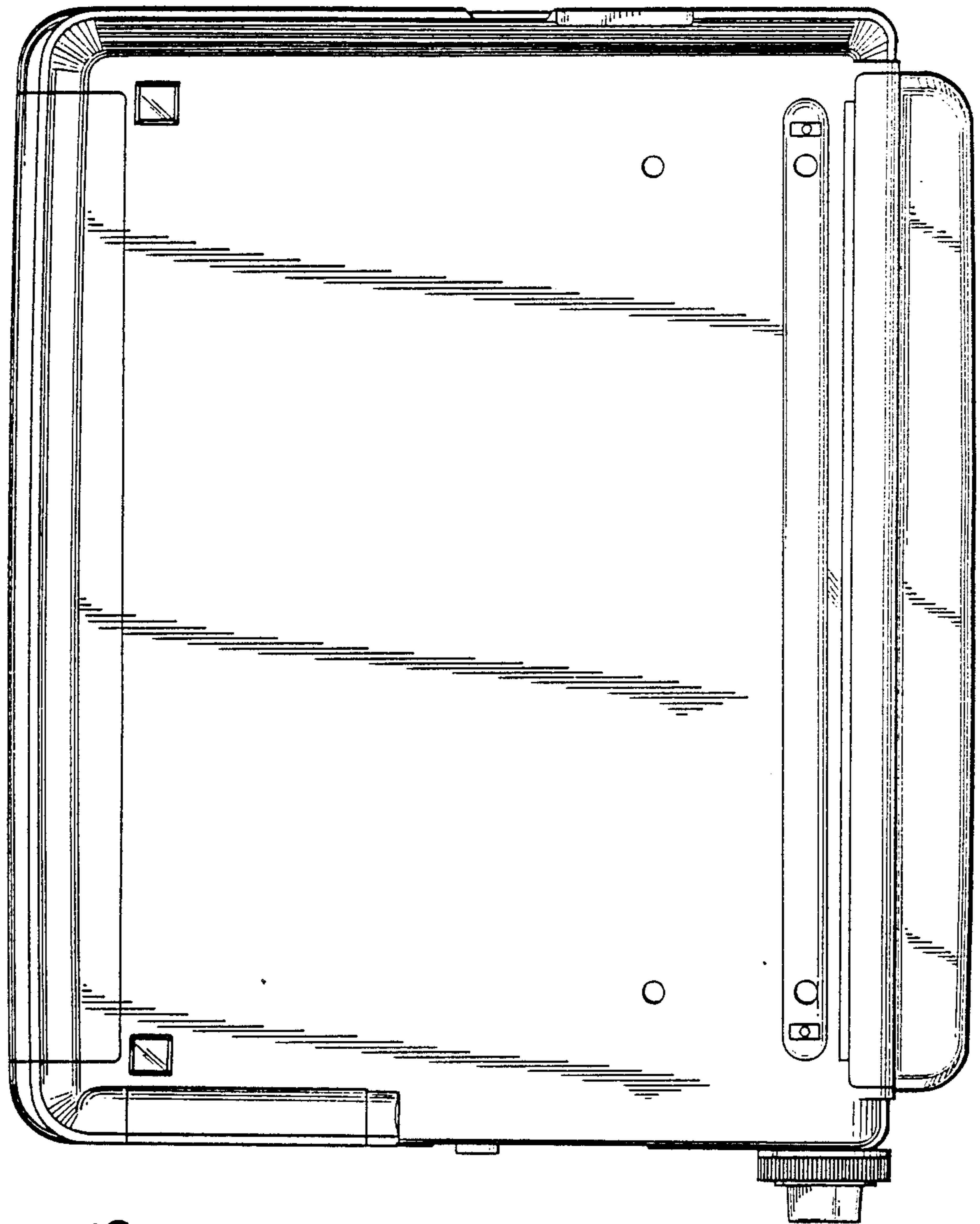


FIG. 5

FIG. 6

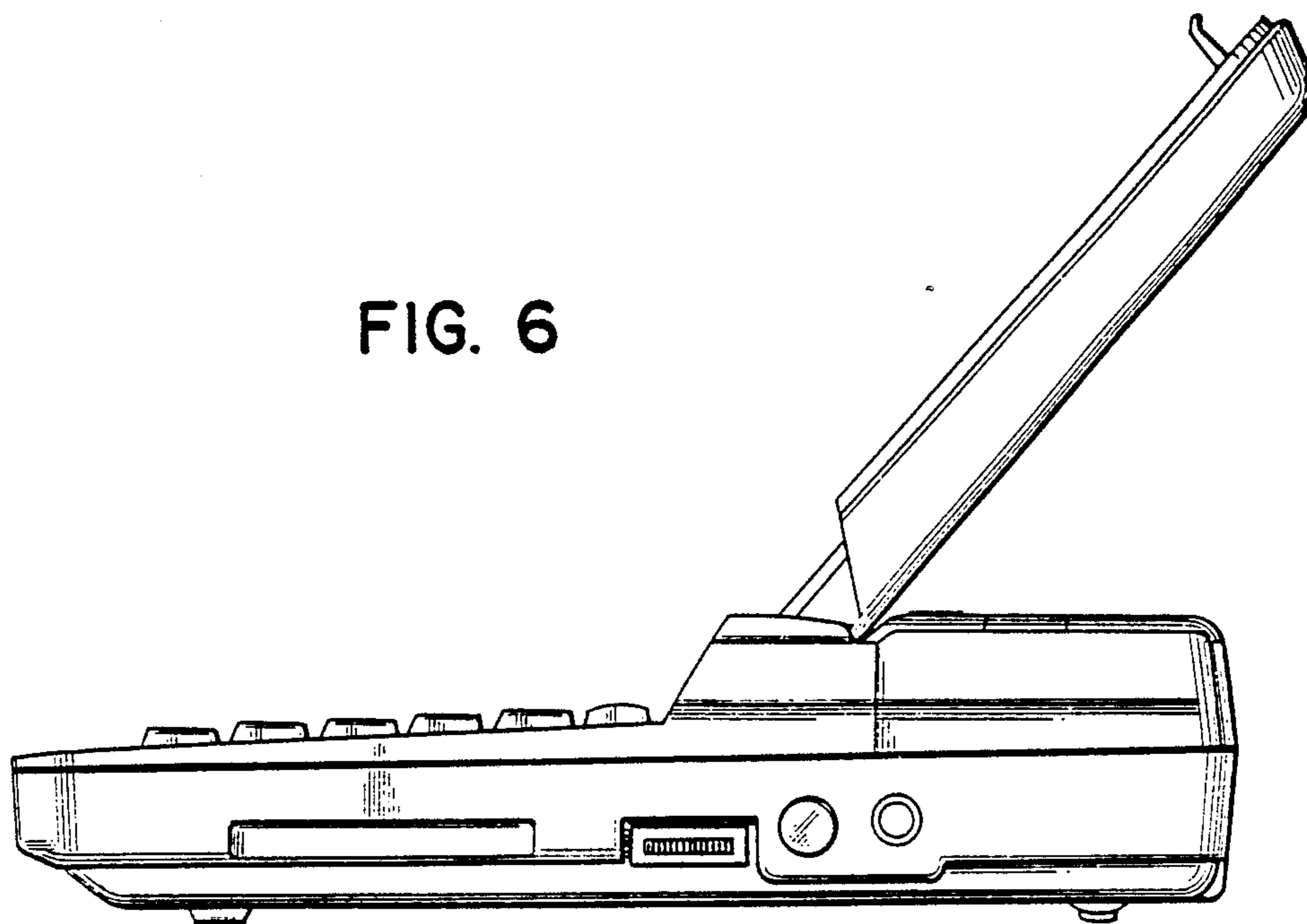


FIG. 7

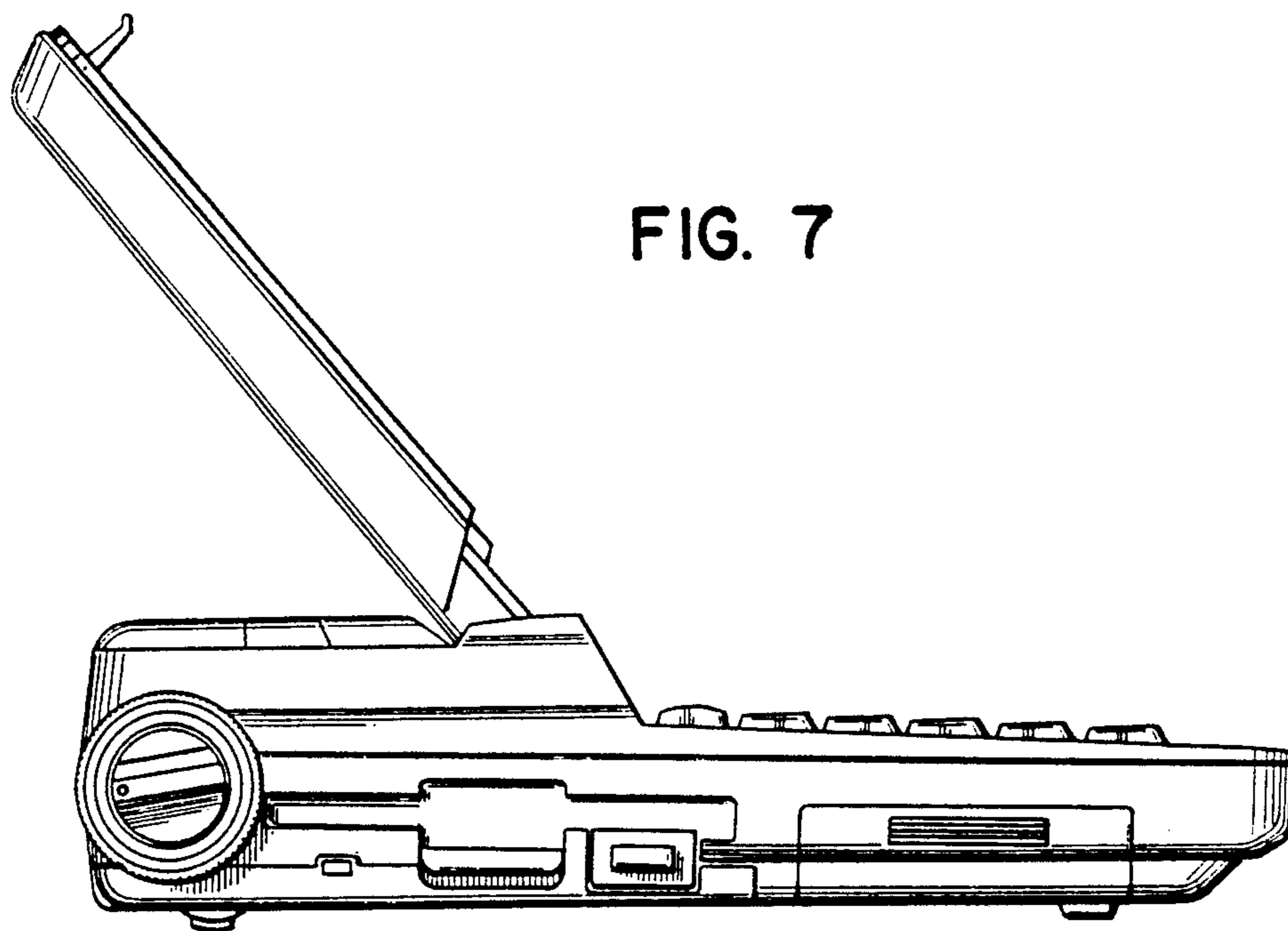


FIG. 8

