

[54] PORTABLE EDITING TABLET

[75] Inventor: Takeshi Komada, Yokohama, Japan

[73] Assignee: Canon Kabushiki Kaisha, Tokyo, Japan

[**] Term: 14 Years

[21] Appl. No.: 381,170

[22] Filed: Jul. 18, 1989

[52] U.S. Cl. D14/100

[58] Field of Search D14/100, 106, 113, 115; D18/1, 7, 11, 12; 340/700, 706, 711, 712; 341/22, 23; 358/249, 254; 364/706-710; D19/52, 86; 248/441.1, 444.1; D10/46; 178/18, 19

3,443,332 5/1969 Christy 178/18
 3,705,956 12/1972 Dertouzos 178/18 X
 4,745,491 5/1988 Kishi et al. 178/18 X
 4,814,760 3/1989 Johnston et al. 340/712 X

Primary Examiner—Susan J. Lucas
 Assistant Examiner—Freda S. Nunn
 Attorney, Agent, or Firm—Fitzpatrick, Cella, Harper & Scinto

[57] CLAIM

The ornamental design for a portable editing tablet, as shown and described.

DESCRIPTION

FIG. 1 is a front elevational view of a portable editing tablet showing my new design;
 FIG. 2 is a rear elevational view thereof;
 FIG. 3 is a top plan view thereof;
 FIG. 4 is a bottom plan view thereof;
 FIG. 5 is a left side elevational view thereof;
 FIG. 6 is a right side elevational view thereof; and
 FIG. 7 is a top, front, right side perspective view thereof.

[56] References Cited

U.S. PATENT DOCUMENTS

D. 284,084 6/1986 Ferrara, Jr. D14/114
 D. 307,134 4/1990 Makidera D14/100
 3,127,588 3/1964 Harmon 178/19

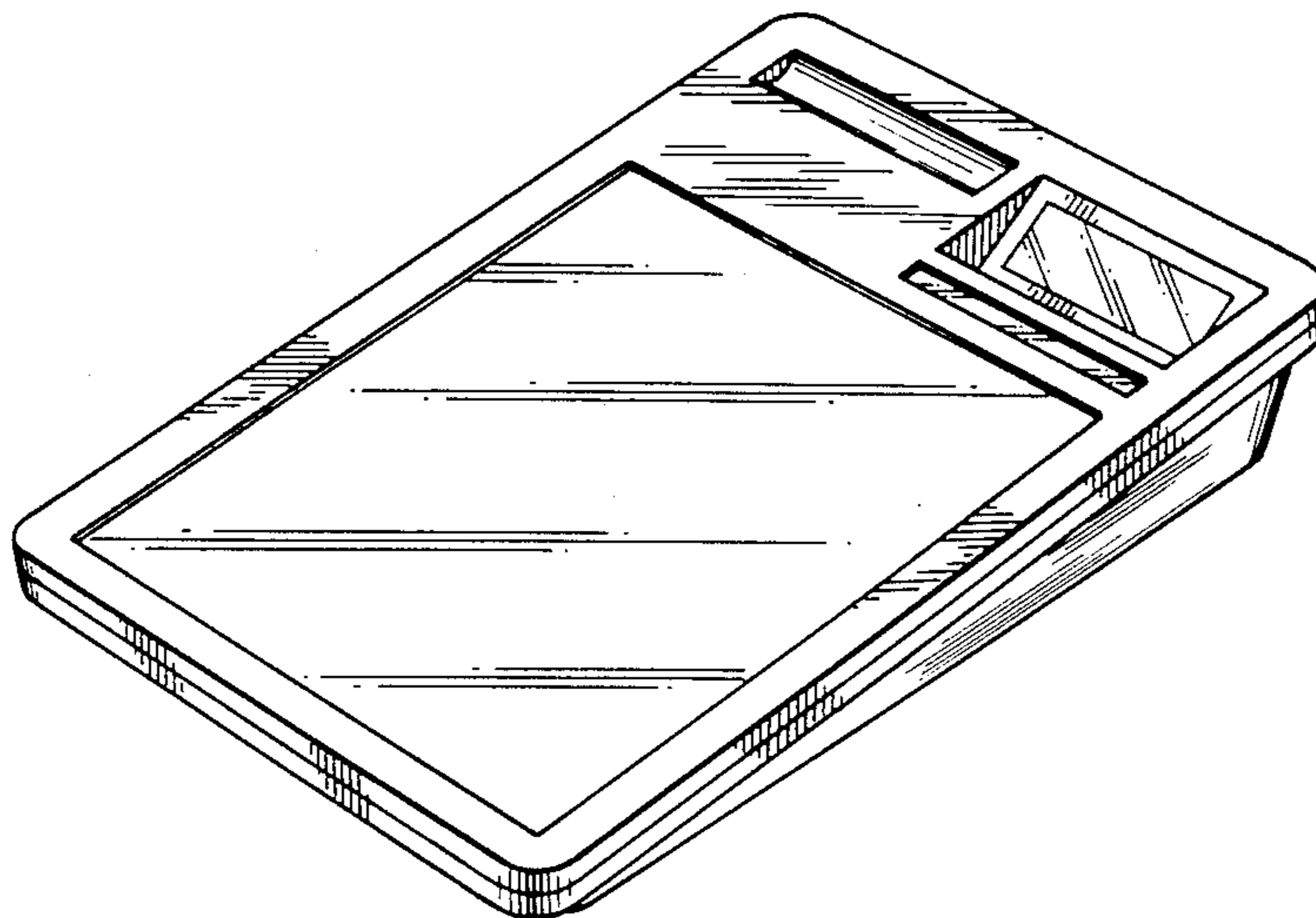


FIG. 1

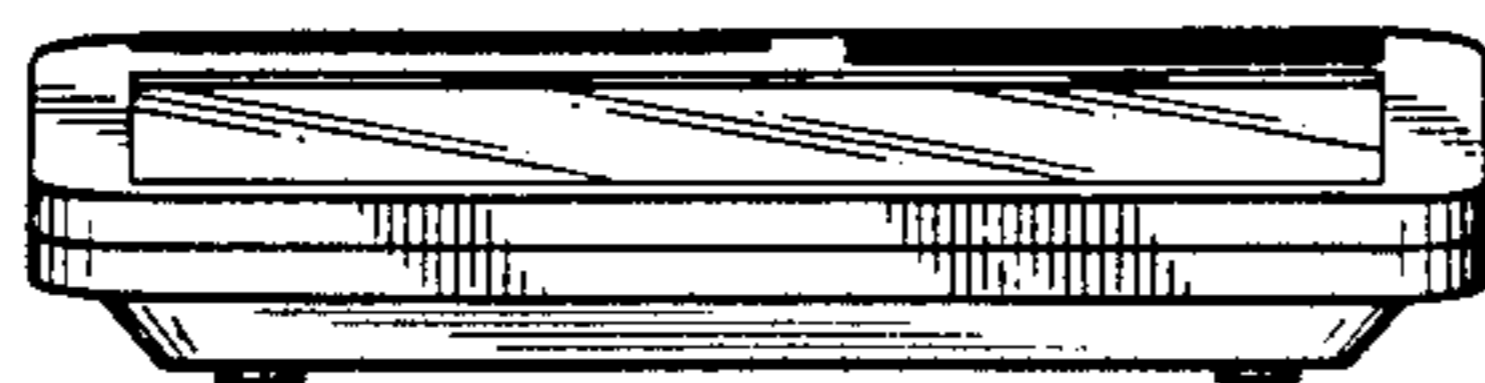


FIG. 2

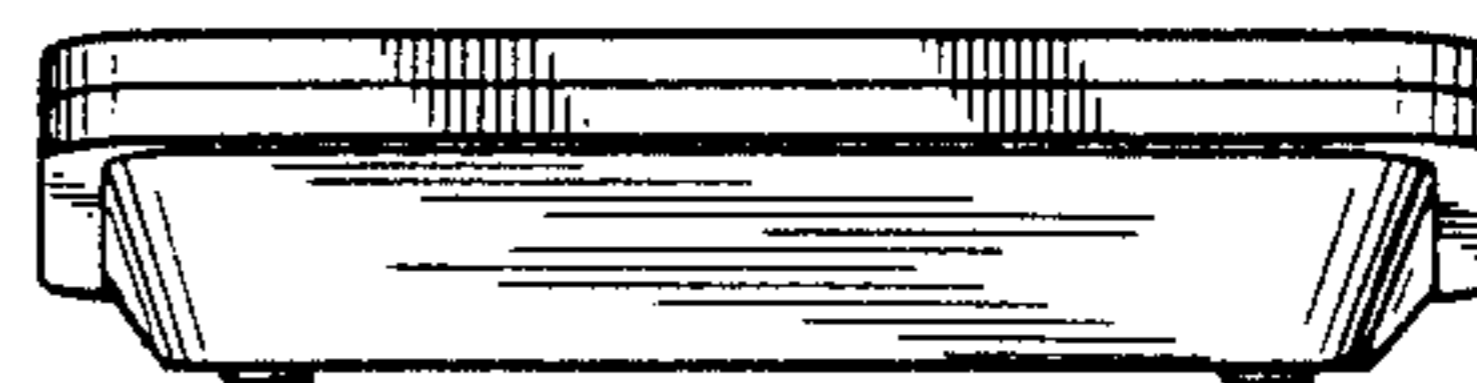


FIG. 3

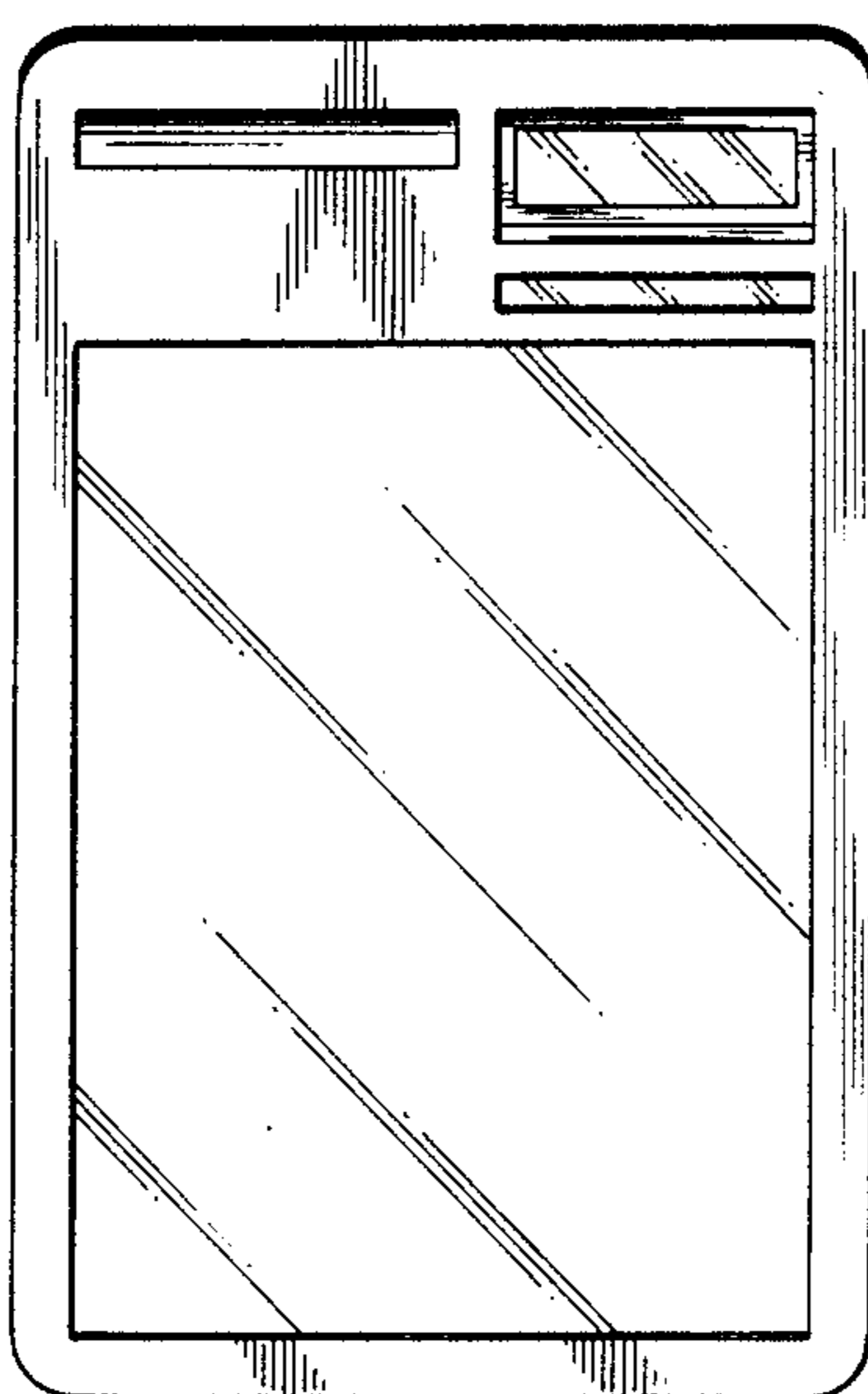


FIG. 4

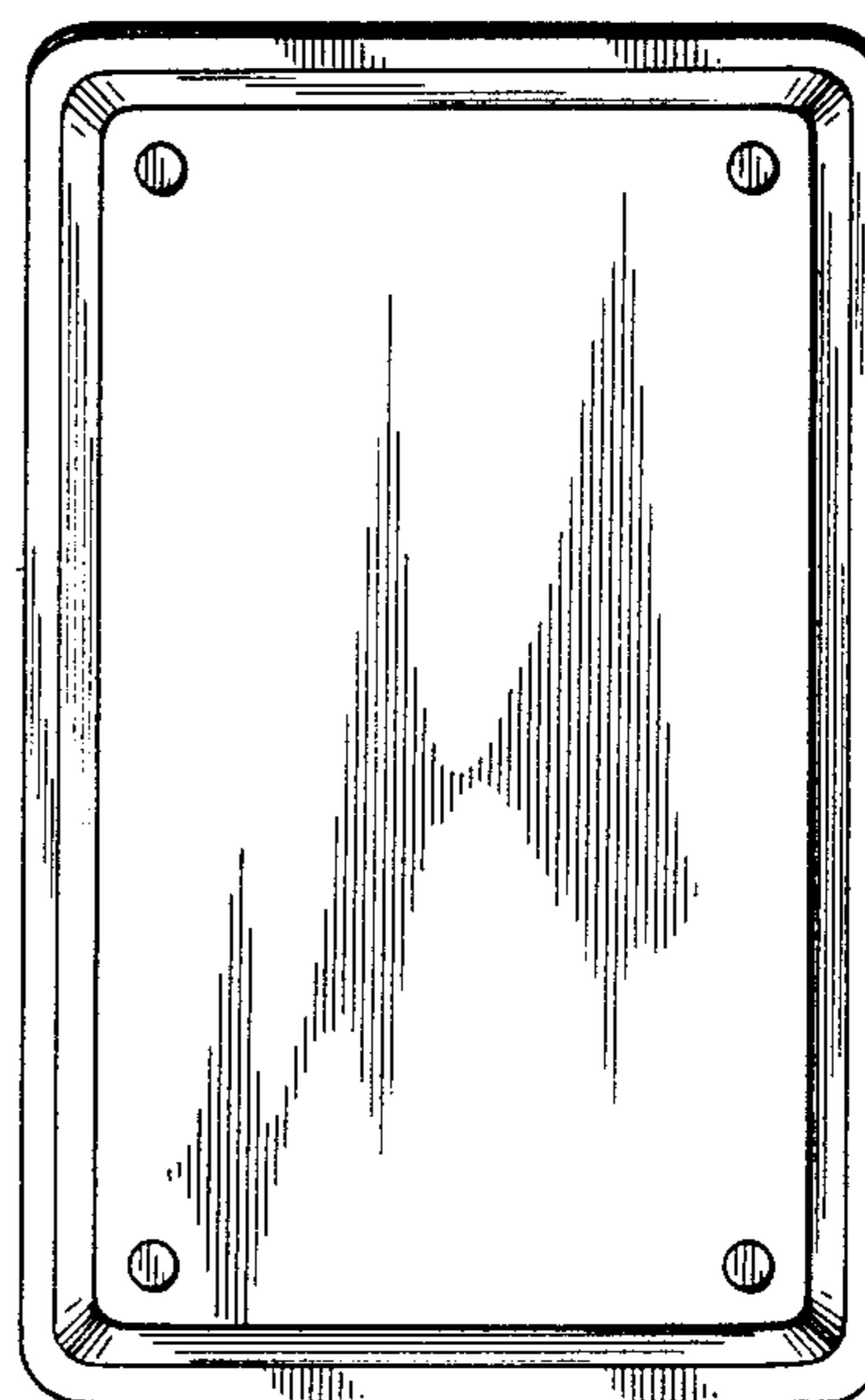


FIG. 5

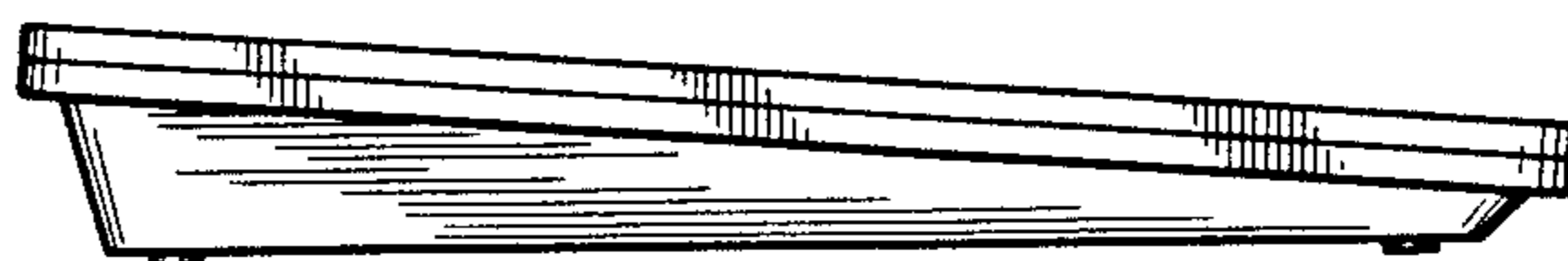
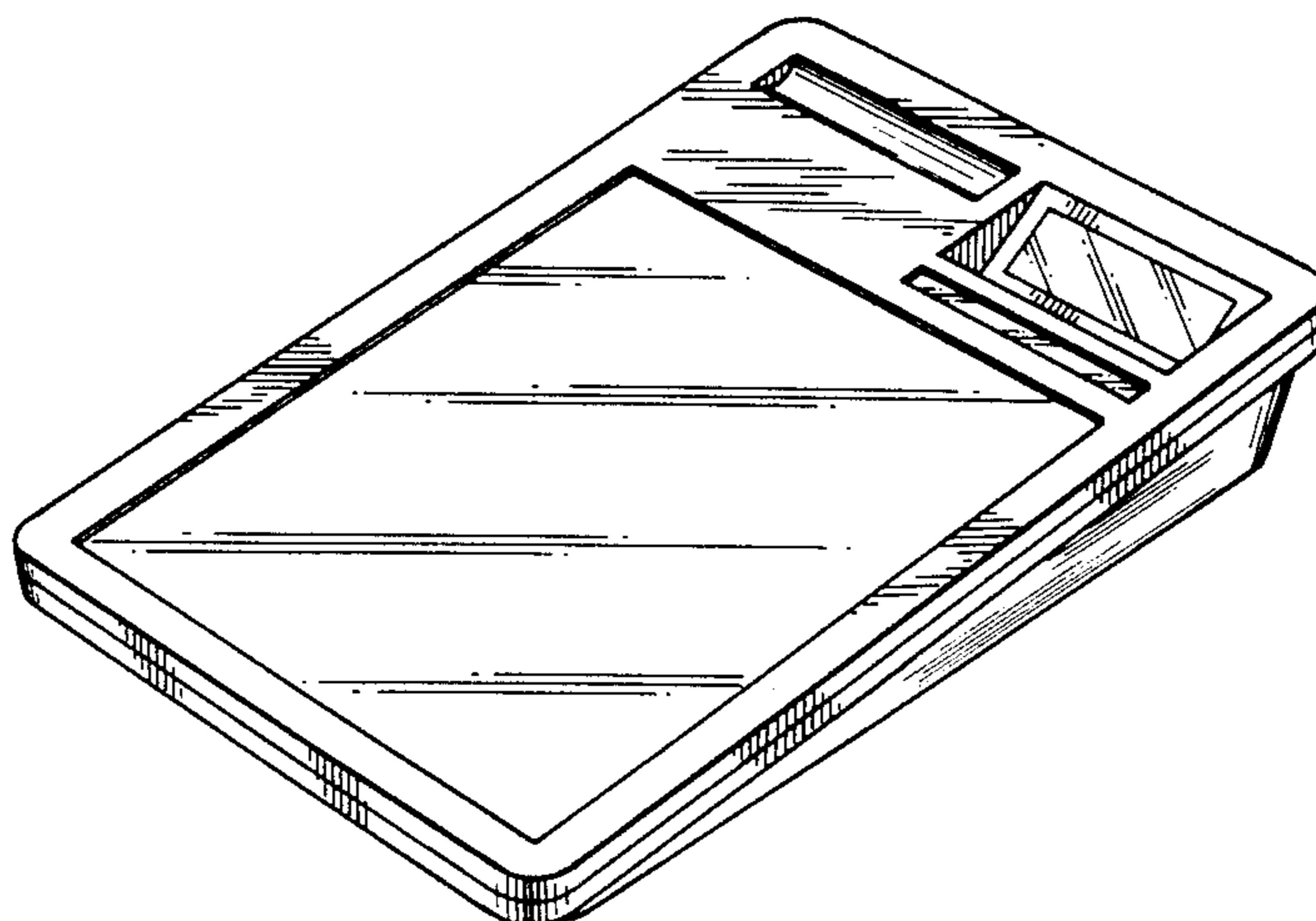


FIG. 6



FIG. 7



UNITED STATES PATENT AND TRADEMARK OFFICE
CERTIFICATE OF CORRECTION

PATENT NO. : D312,449
DATED : November 27, 1990
INVENTOR(S) : TAKESHI KOMADA

It is certified that error appears in the above-identified patent and that said Letters Patent is hereby corrected as shown below:

On the Title Page insert

-- [30] Foreign Application Priority Data

January 19, 1989 [JP] Japan1-1663 --

**Signed and Sealed this
Twentieth Day of October, 1992**

Attest:

DOUGLAS B. COMER

Attesting Officer

Acting Commissioner of Patents and Trademarks