

[54] **THREE PHASE DISTRIBUTION CLUSTER MOUNT**

[76] Inventor: **Gaddis G. Hall**, P.O. Box 835,
Trussville, Ala. 35173

[**] Term: **14 Years**

[21] Appl. No.: **123,976**

[22] Filed: **Nov. 23, 1987**

[52] U.S. Cl. **D13/154; D13/129**

[58] Field of Search **D13/123, 129, 131, 132,
D13/154, 199; 174/146, 158 R, 161 R, 162, 163**

[56] **References Cited**

U.S. PATENT DOCUMENTS

D. 259,113	5/1981	Essig	D13/129
2,436,089	2/1948	Birch	174/146
2,587,587	3/1952	Bellezza et al.	174/158 X
3,230,295	1/1966	Short	174/146
3,922,481	11/1975	Lewis	174/146

Primary Examiner—Wallace R. Burke

Assistant Examiner—Joel Sincavage

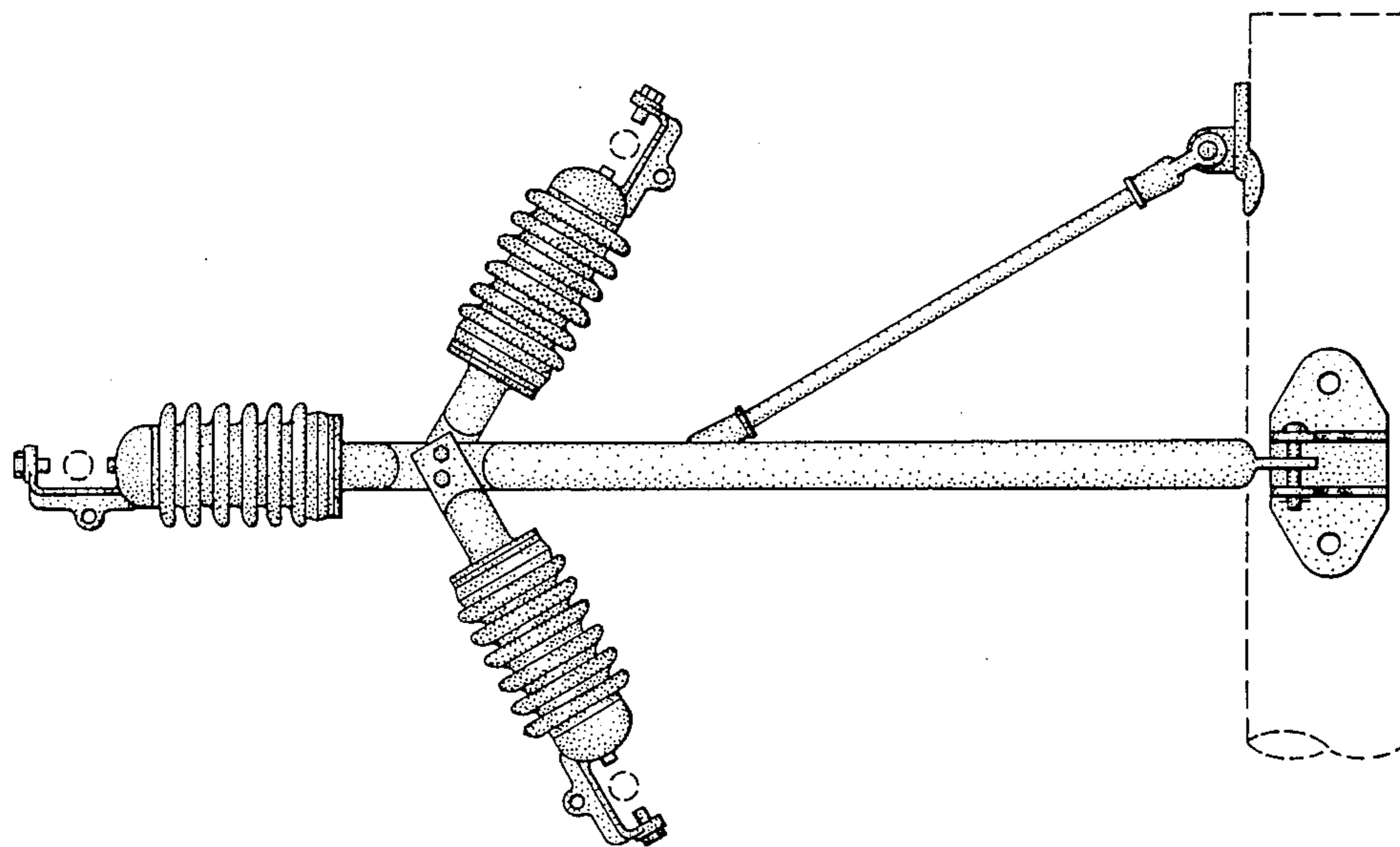
Attorney, Agent, or Firm—Jennings, Carter, Thompson & Veal

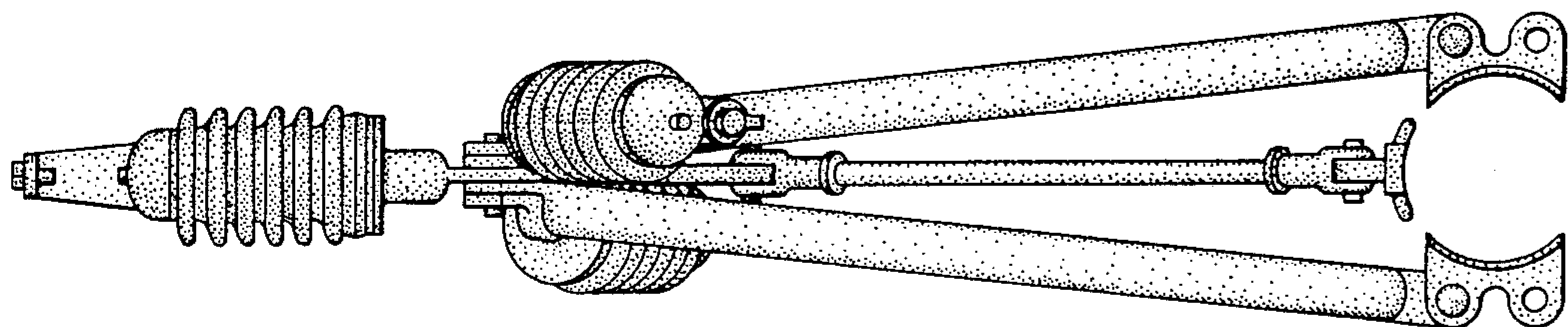
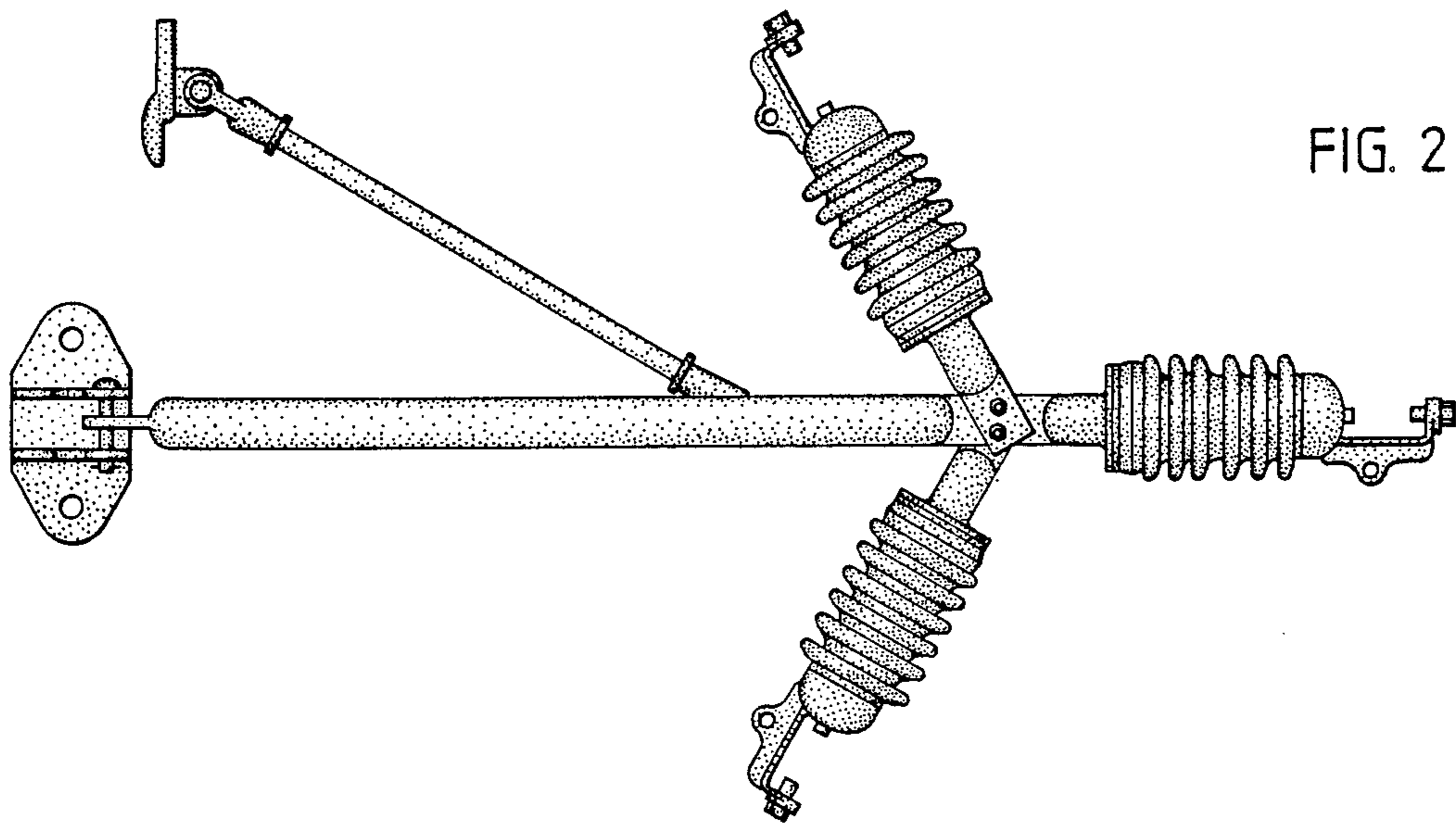
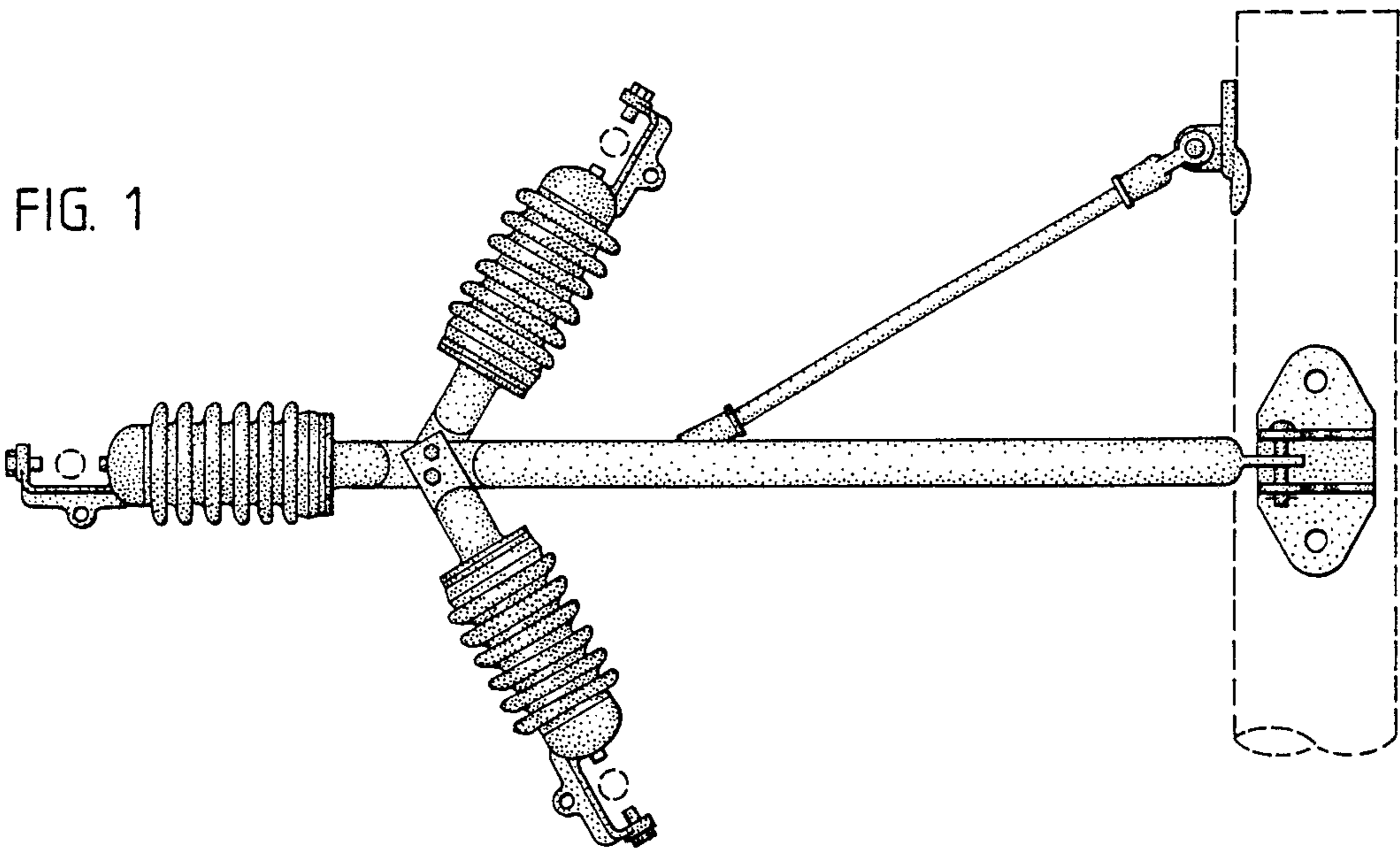
[57] **CLAIM**

The ornamental design for a three phase distribution cluster mount, as shown and described.

DESCRIPTION

FIG. 1 is a right side elevational view of a three phase distribution cluster mount showing my new design, the broken line showing of the utility pole and electrical conductors being for illustrative purposes only and forming no part of the claimed design;
FIG. 2 is a left side elevational view thereof;
FIG. 3 is a top plan view thereof;
FIG. 4 is a bottom plan view thereof;
FIG. 5 is a front end elevational view thereof;
FIG. 6 is a rear end elevational view thereof;
FIG. 7 is a right side elevational view of a three phase distribution cluster mount showing a second embodiment of my new design, the broken line showing of the utility pole being for illustrative purposes only and forming no part of the claimed design;
FIG. 8 is a left side elevational view thereof;
FIG. 9 is a top plan view thereof;
FIG. 10 is a bottom plan view thereof;
FIG. 11 is a front end elevational view thereof; and
FIG. 12 is a rear end elevational view thereof.





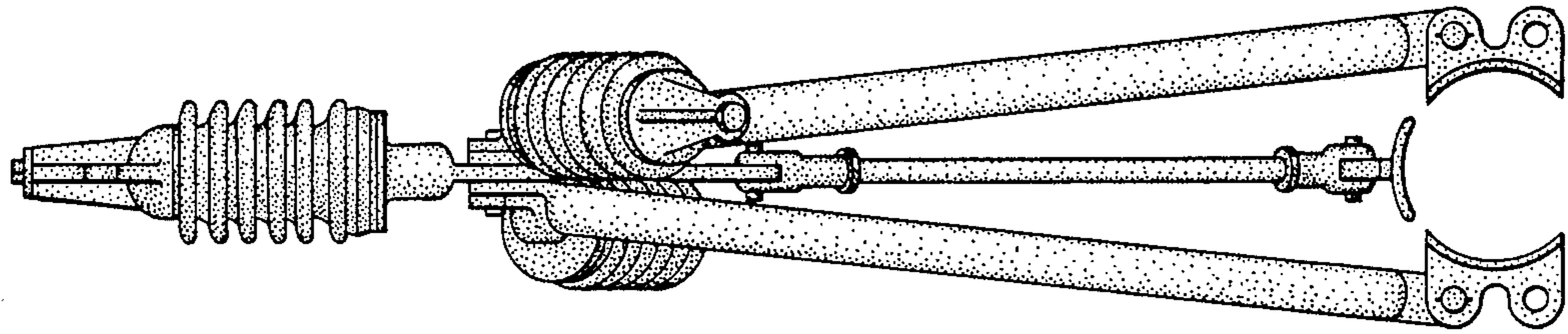


FIG. 4

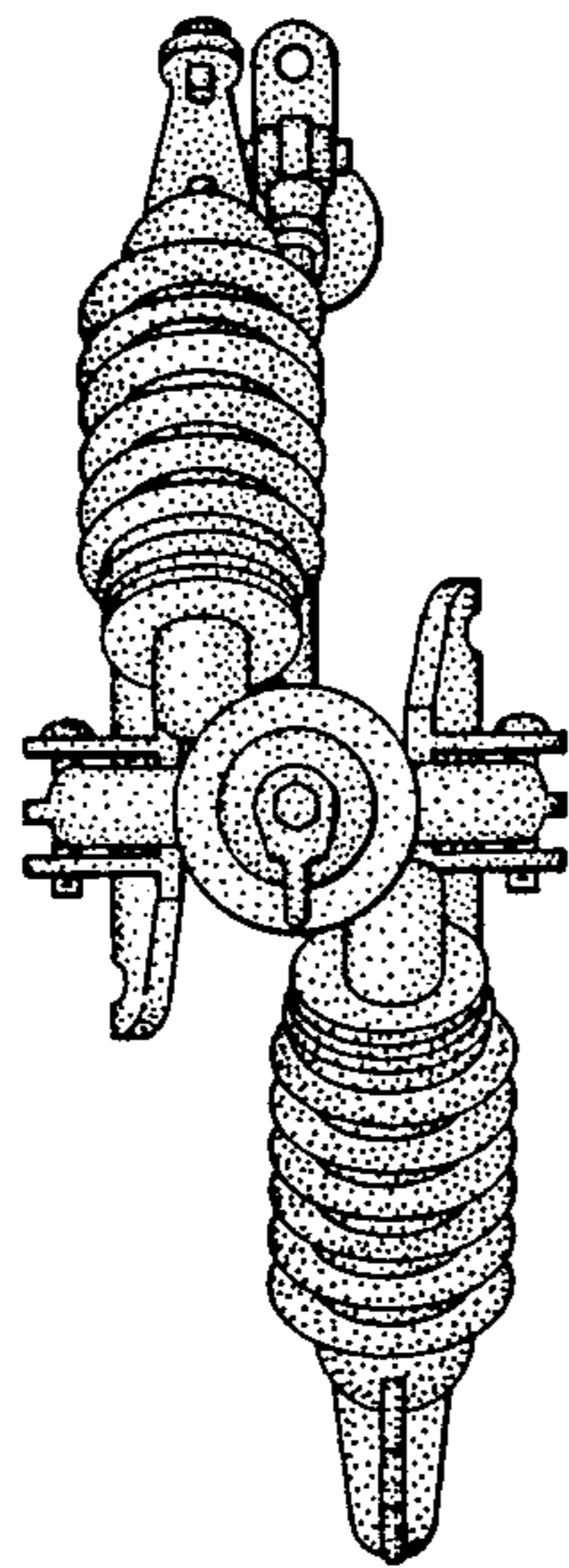


FIG. 5

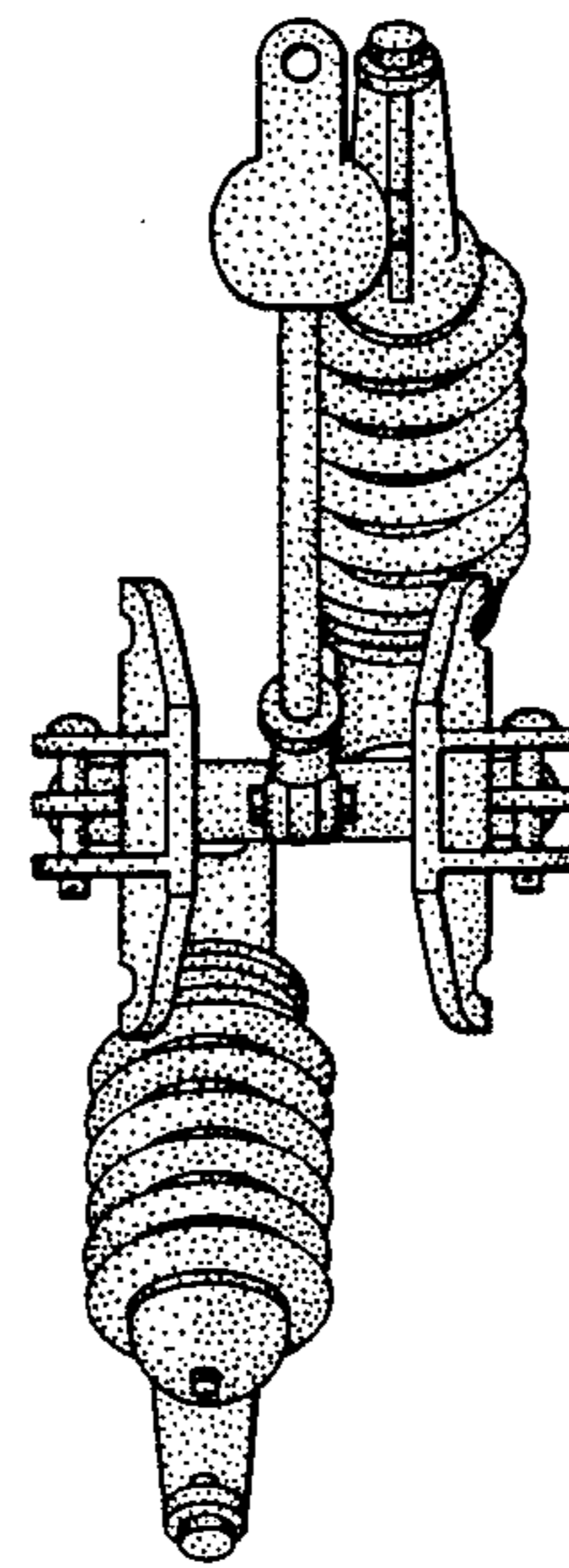


FIG. 6

Fig. 7

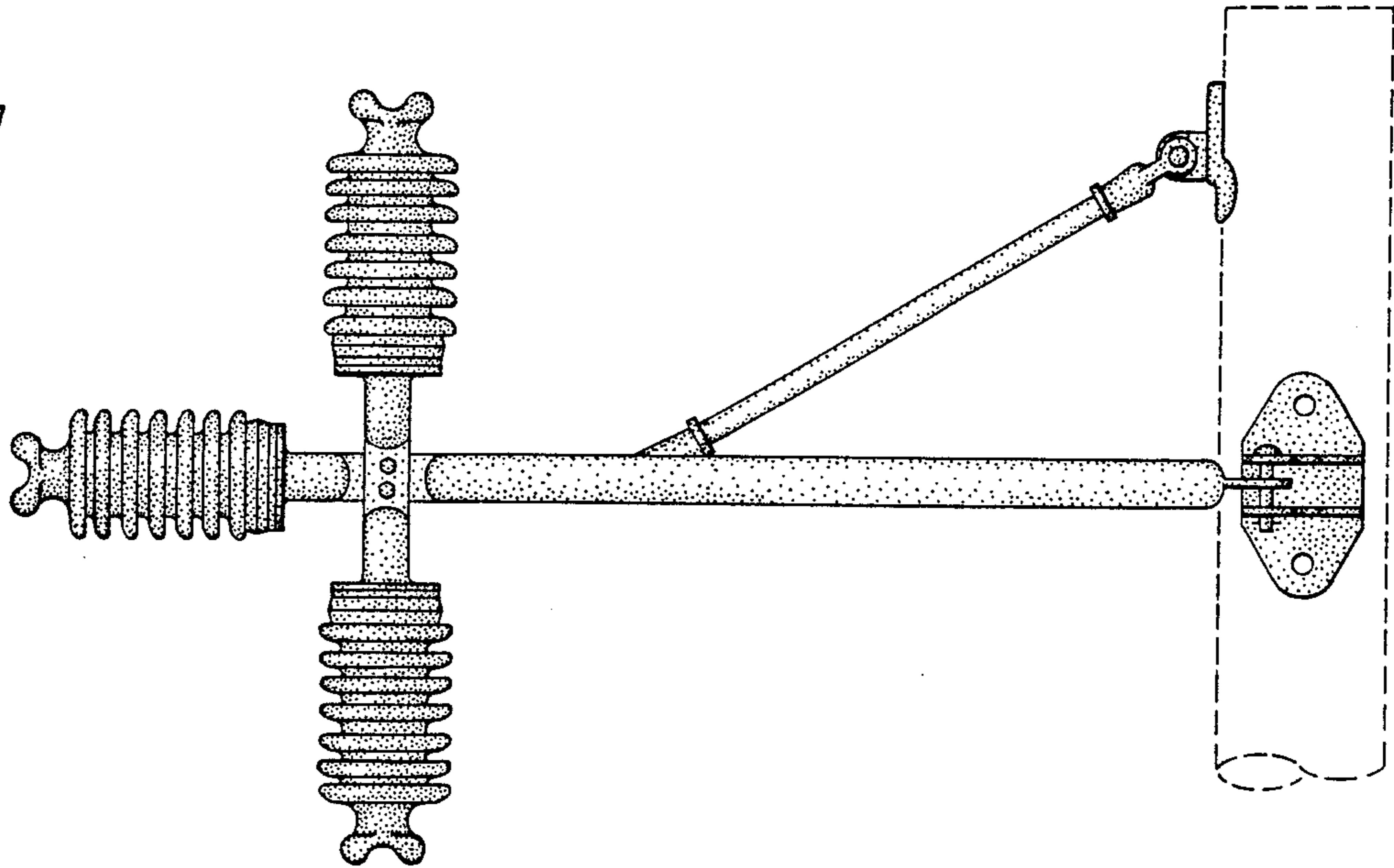


Fig. 8

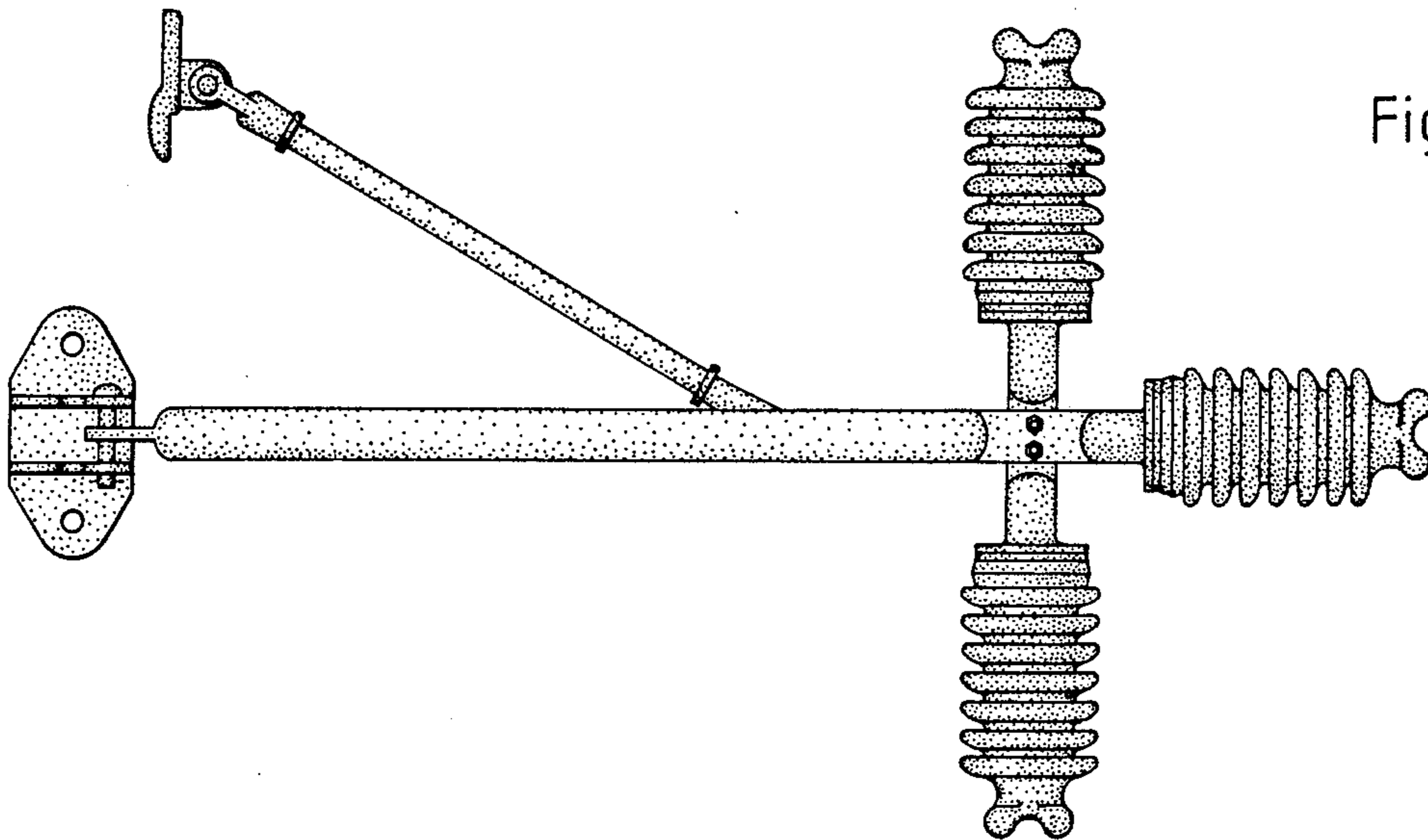


Fig. 9

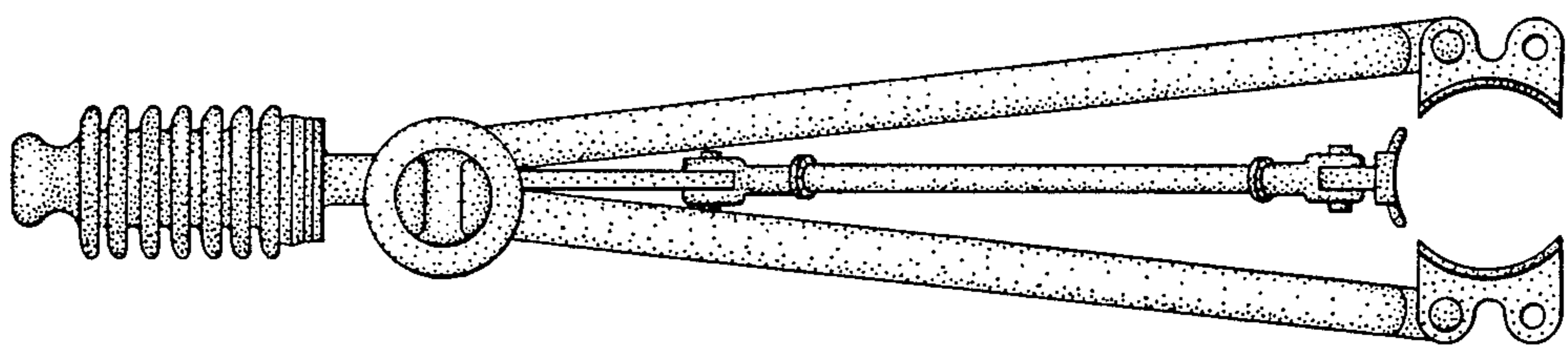


Fig. 10

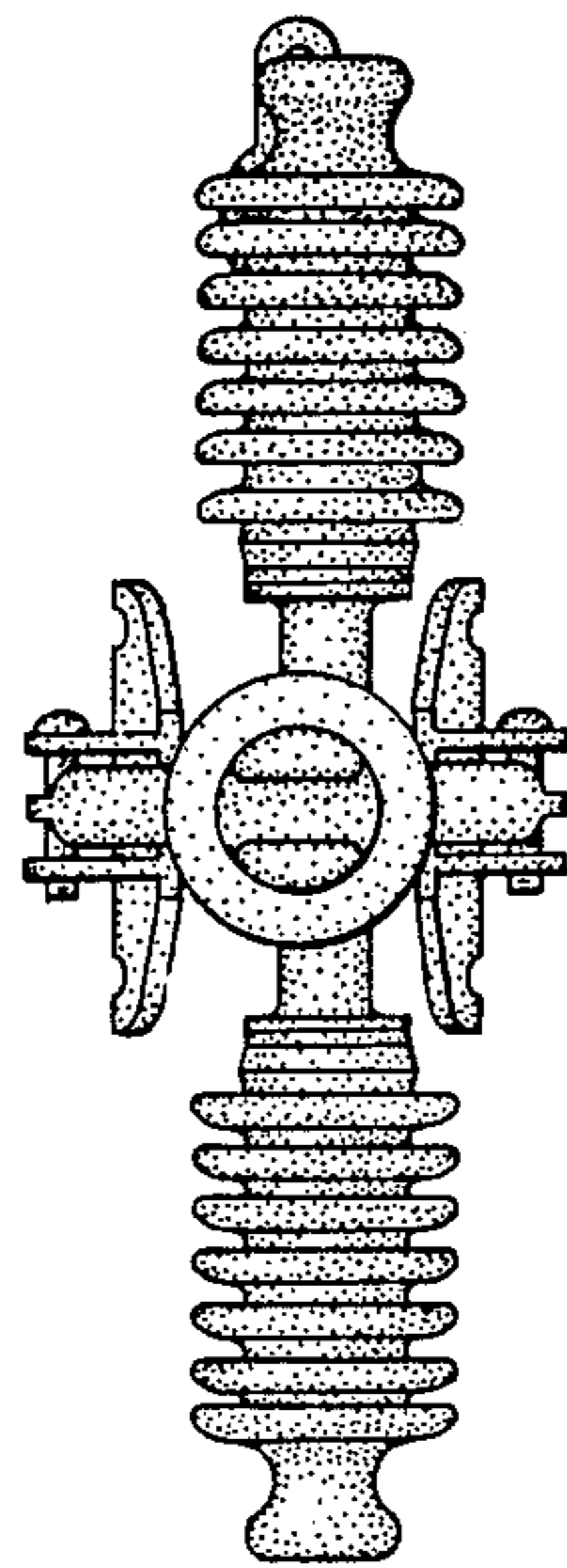
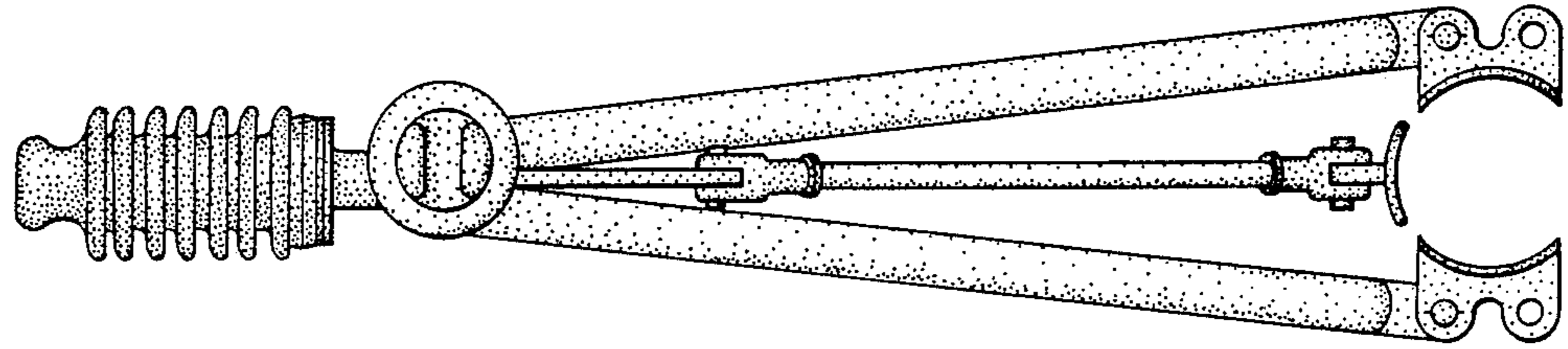


Fig. 11

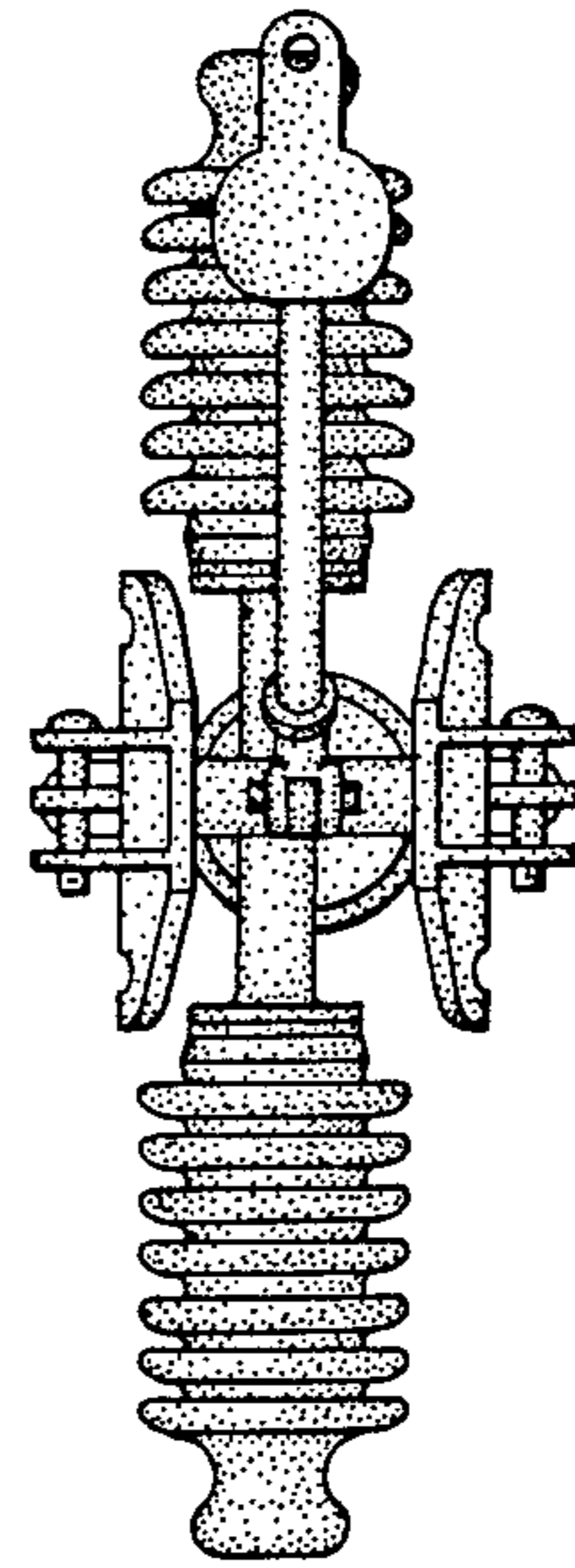


Fig. 12