

[54] DIN CONNECTOR FOR A COMPUTER  
CABLE

4,740,178 4/1988 Badenhorst et al. .... 439/142  
4,804,339 2/1989 Cohen ..... 439/80  
4,861,276 8/1989 Muller et al. .... 439/365

[75] Inventor: Hartmut Esslinger, Los Gatos, Calif.

[73] Assignee: NeXT, Inc., Redwood City, Calif.

[\*\*] Term: 14 Years

[21] Appl. No.: 214,145

[22] Filed: Jun. 30, 1988

[52] U.S. Cl. .... D13/133

[58] Field of Search ..... D13/133, 137, 138, 139,  
D13/141, 142, 143, 144, 145, 146, 147; 439/80,  
142

[56] References Cited

U.S. PATENT DOCUMENTS

- D. 209,284 11/1967 Busch ..... D13/144
- D. 239,175 2/1976 Mouttet ..... D13/144
- D. 241,341 9/1976 Oxley ..... D13/133

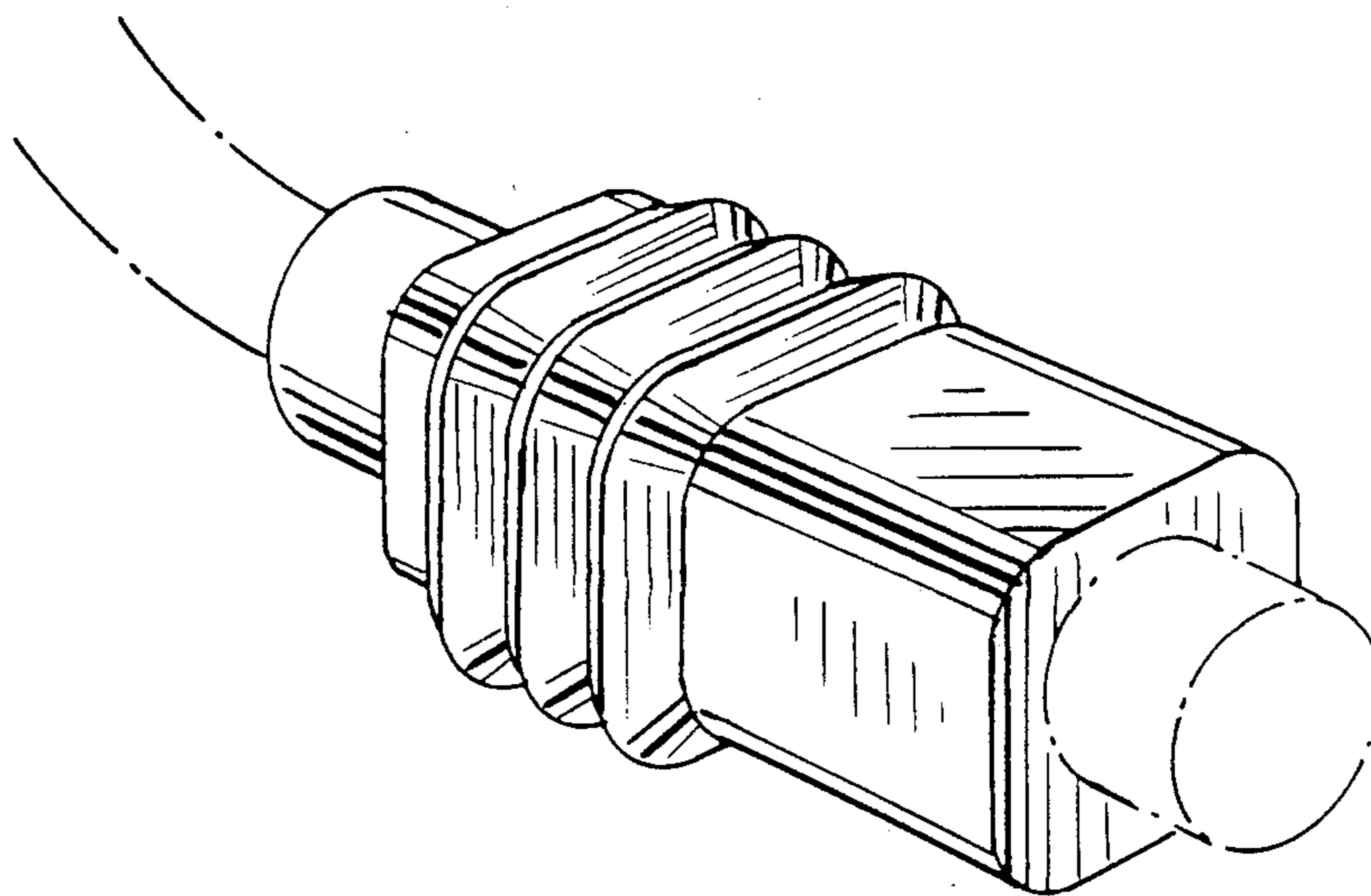
Primary Examiner—Susan J. Lucas  
Assistant Examiner—Melody Brown  
Attorney, Agent, or Firm—Robert R. Jackson; Laurence  
S. Rogers; Doreen F. Shulman

[57] CLAIM

The ornamental design for a din connector for a com-  
puter cable, as shown and described.

DESCRIPTION

FIG. 1 is a front perspective view of a din connector for  
a computer cable showing my new design, it being  
understood that the broken lines are for illustrative  
purposes only and form no part of the claimed design;  
FIG. 2 is a side elevational view thereof, all three oppo-  
site sides being mirror images of that shown;  
FIG. 3 is a front elevational view thereof; and  
FIG. 4 is a rear elevational view thereof.



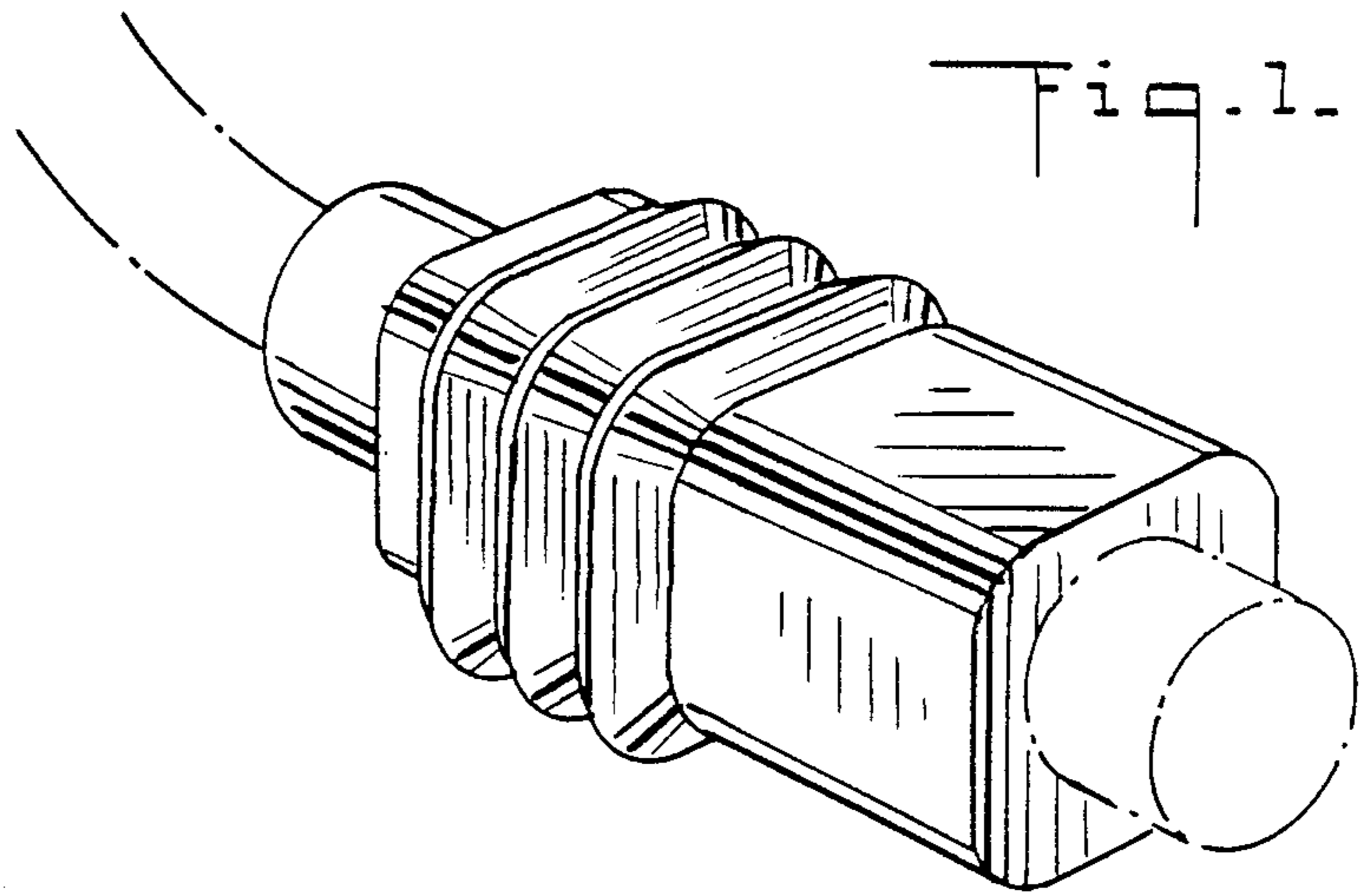


Fig. 1.

Fig. 2.

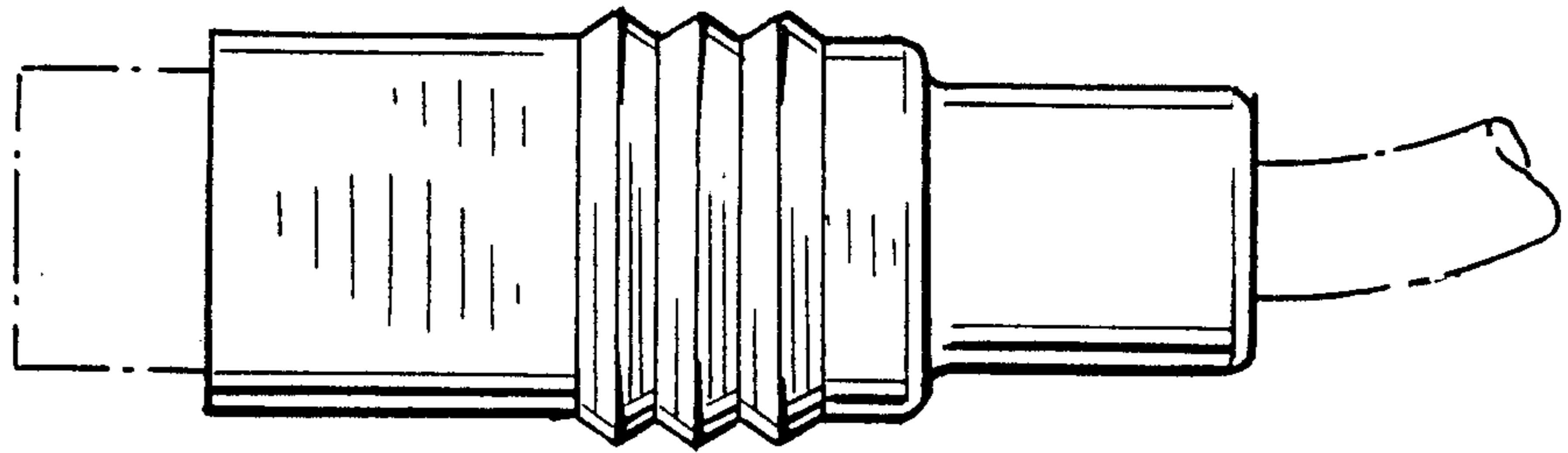


Fig. 3.

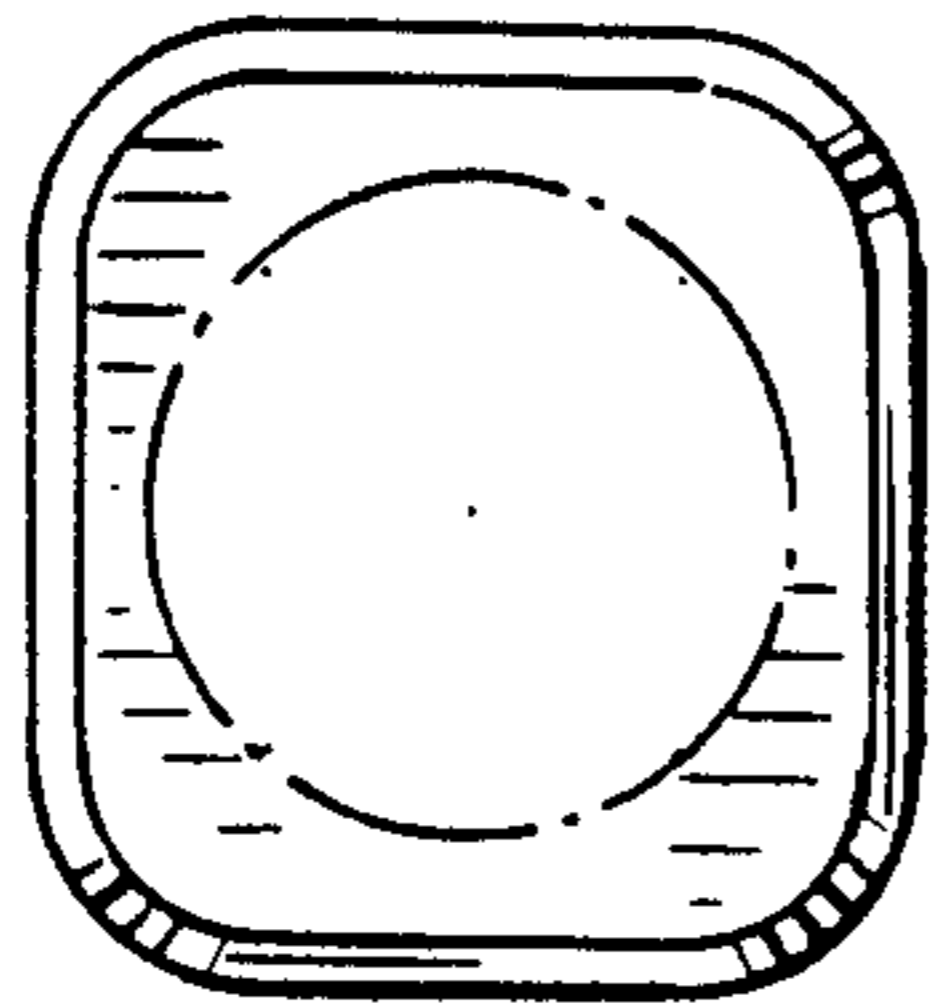


Fig. 4.

