

[54] **BOAT DECK GAS FILL**  
[75] **Inventor: Warwick M. Whitley, II, Panama City, Fla.**  
[73] **Assignee: Attwood Corporation, Lowell, Mich.**  
[\*\*] **Term: 14 Years**  
[21] **Appl. No.: 209,471**  
[22] **Filed: Jun. 13, 1988**  
[52] **U.S. Cl. .... D12/197; D12/317**  
[58] **Field of Search ..... D12/197, 317; 137/232; 138/89.1, 89.3, 89.4; 220/86 R, DIG. 32**

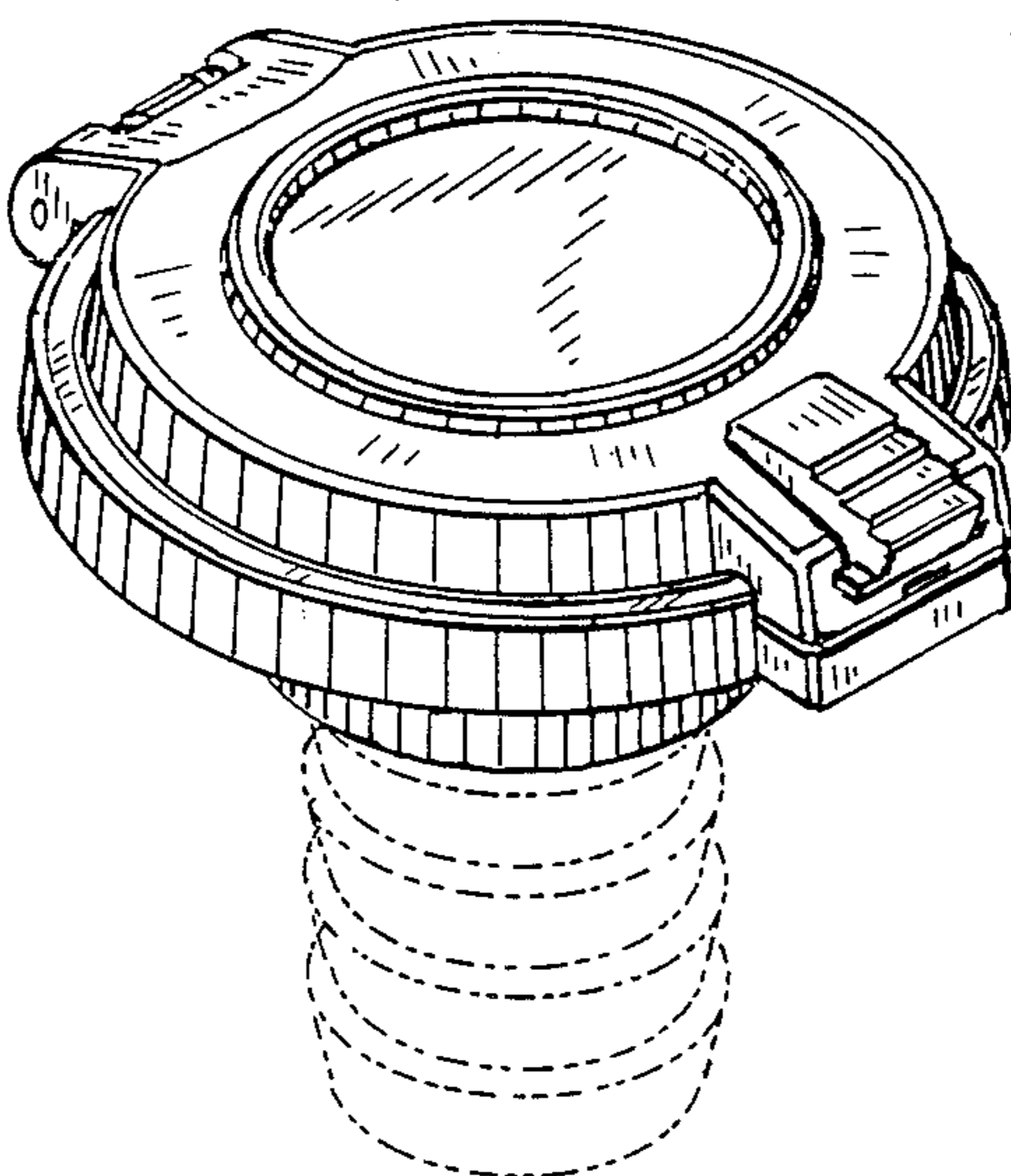
[56] **References Cited**  
**U.S. PATENT DOCUMENTS**  
D. 300,129 3/1989 Whitley, II ..... D12/317  
1,451,136 4/1923 Allrutt ..... 220/86 R  
1,902,456 3/1933 Matthews ..... 220/DIG. 32  
1,943,010 1/1934 Franklin ..... 220/DIG. 32  
1,968,324 7/1934 Stant ..... 220/DIG. 32  
1,989,297 1/1935 Stant ..... 220/DIG. 32  
2,663,447 12/1953 Westcott ..... 220/86 R  
3,478,922 11/1969 Mole ..... 220/86 R  
4,509,567 4/1985 Harrison et al. .... 220/86 R

**OTHER PUBLICATIONS**  
P. 66, Attwood Corporation Catalog, 1987/1988.  
P. 28, Gil Marine Catalog (undated) publication was published prior to application filing date.

*Primary Examiner*—Susan J. Lucas  
*Assistant Examiner*—Melody Brown  
*Attorney, Agent, or Firm*—Price, Heneveld, Cooper, DeWitt & Litton

[57] **CLAIM**  
The ornamental design for a boat deck gas fill, as shown and described.

**DESCRIPTION**  
FIG. 1 is a front, top, perspective view of a boat deck gas fill, showing my new design, with the cover closed and the broken line showing of the gas hose connection being for illustrative purposes only and forming no part of the claimed design;  
FIG. 2 is a rear, top, perspective view thereof with the cover closed;  
FIG. 3 is a front, elevational view thereof with the cover closed;  
FIG. 4 is a right side, elevational view thereof with the cover closed, it being understood that the left side is a mirror image thereof;  
FIG. 5 is a top, plan view thereof with the cover closed;  
FIG. 6 is a bottom, plan view thereof with the cover closed;  
FIG. 7 is a rear, elevational view thereof with the cover closed; and  
FIG. 8 is a front, top, perspective view thereof with the cover open.



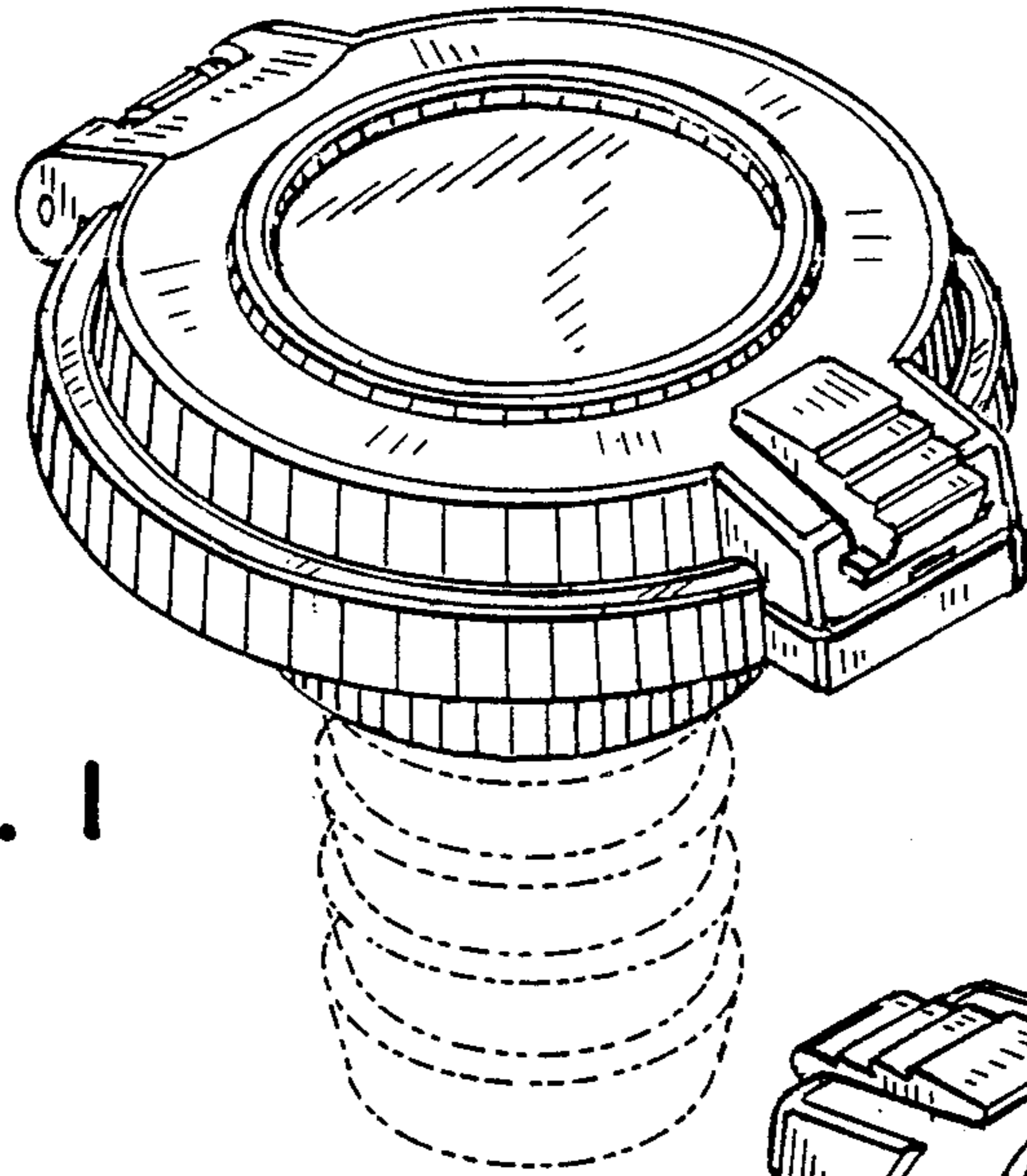


FIG. 1

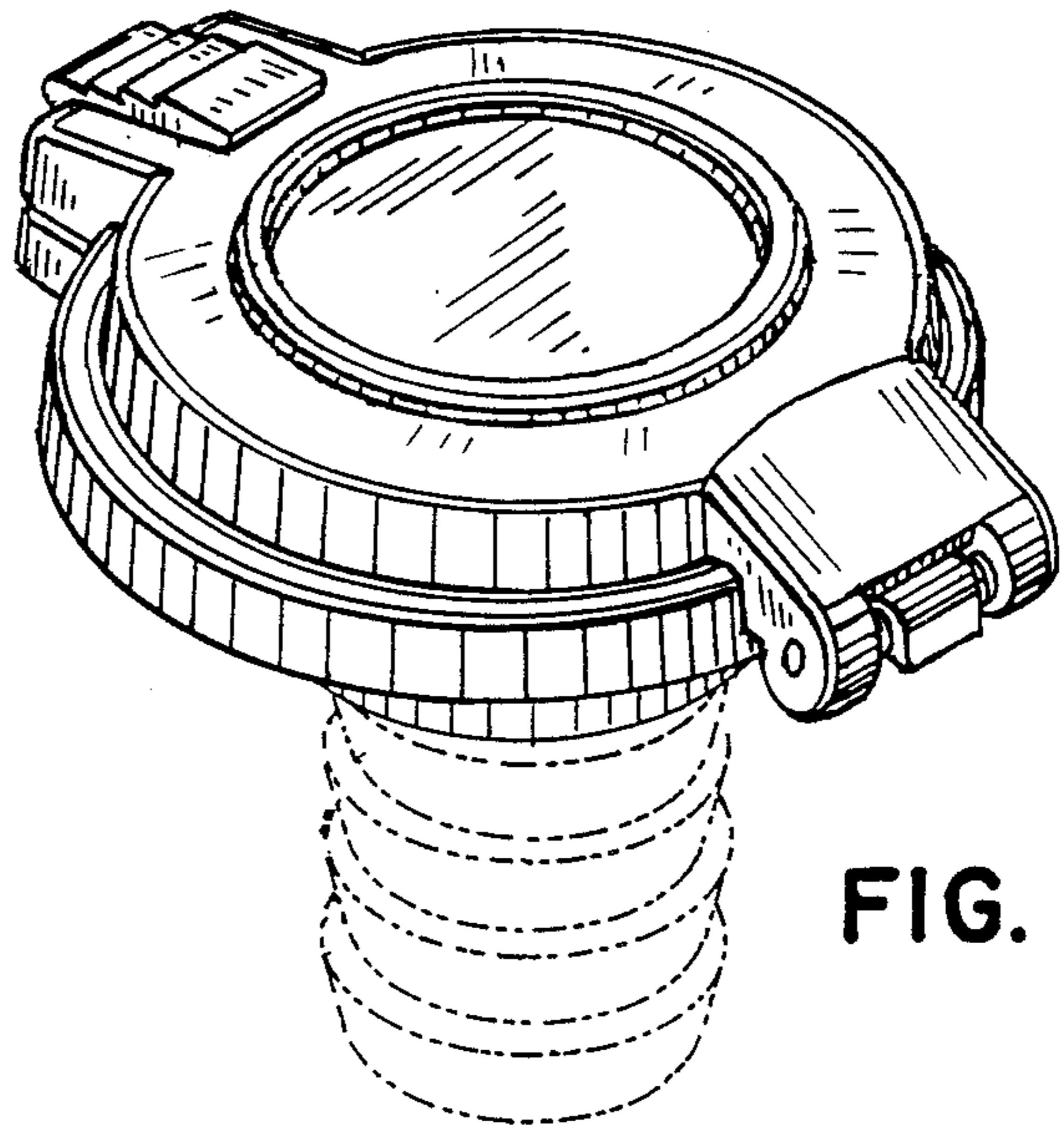


FIG. 2

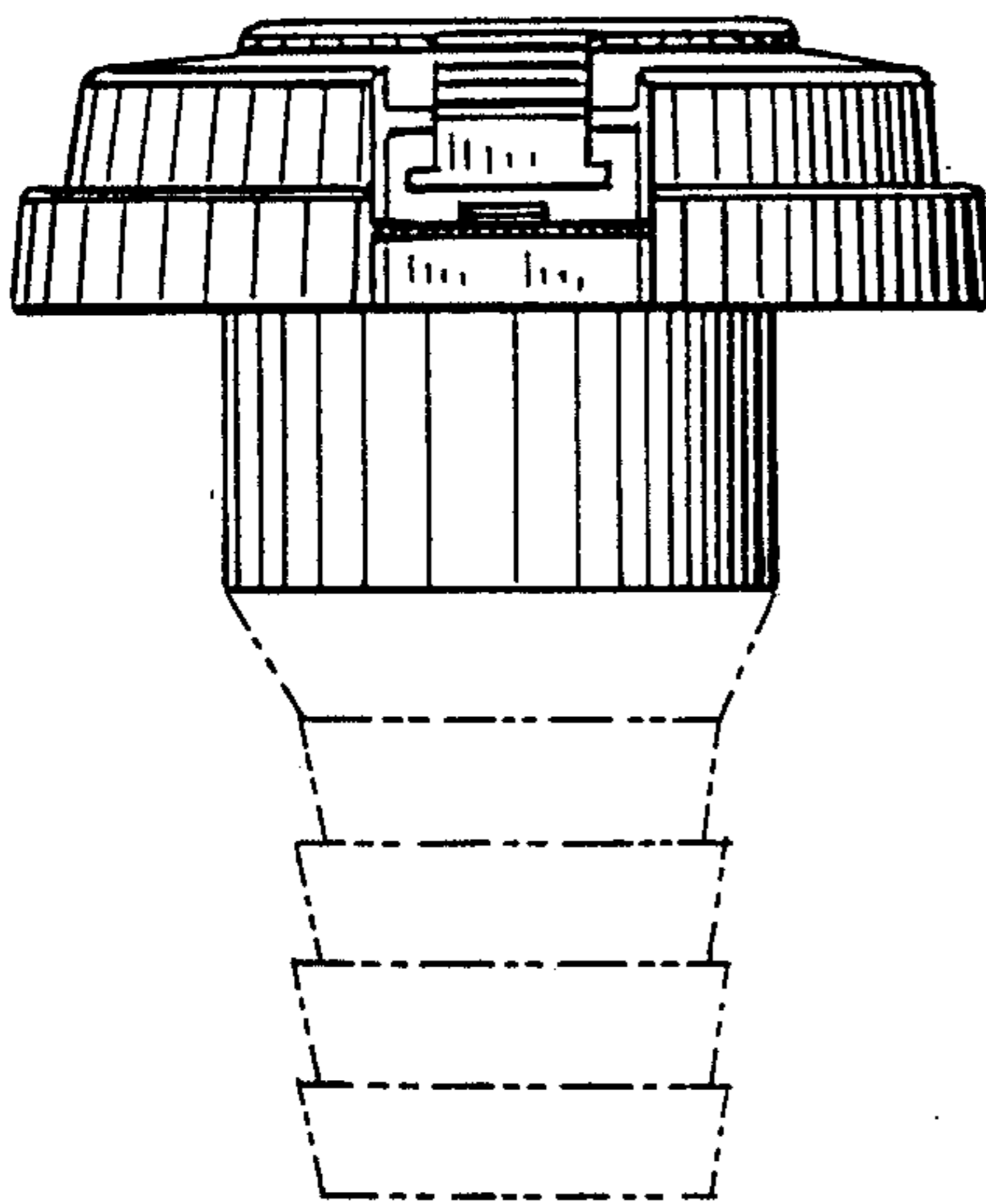


FIG. 3

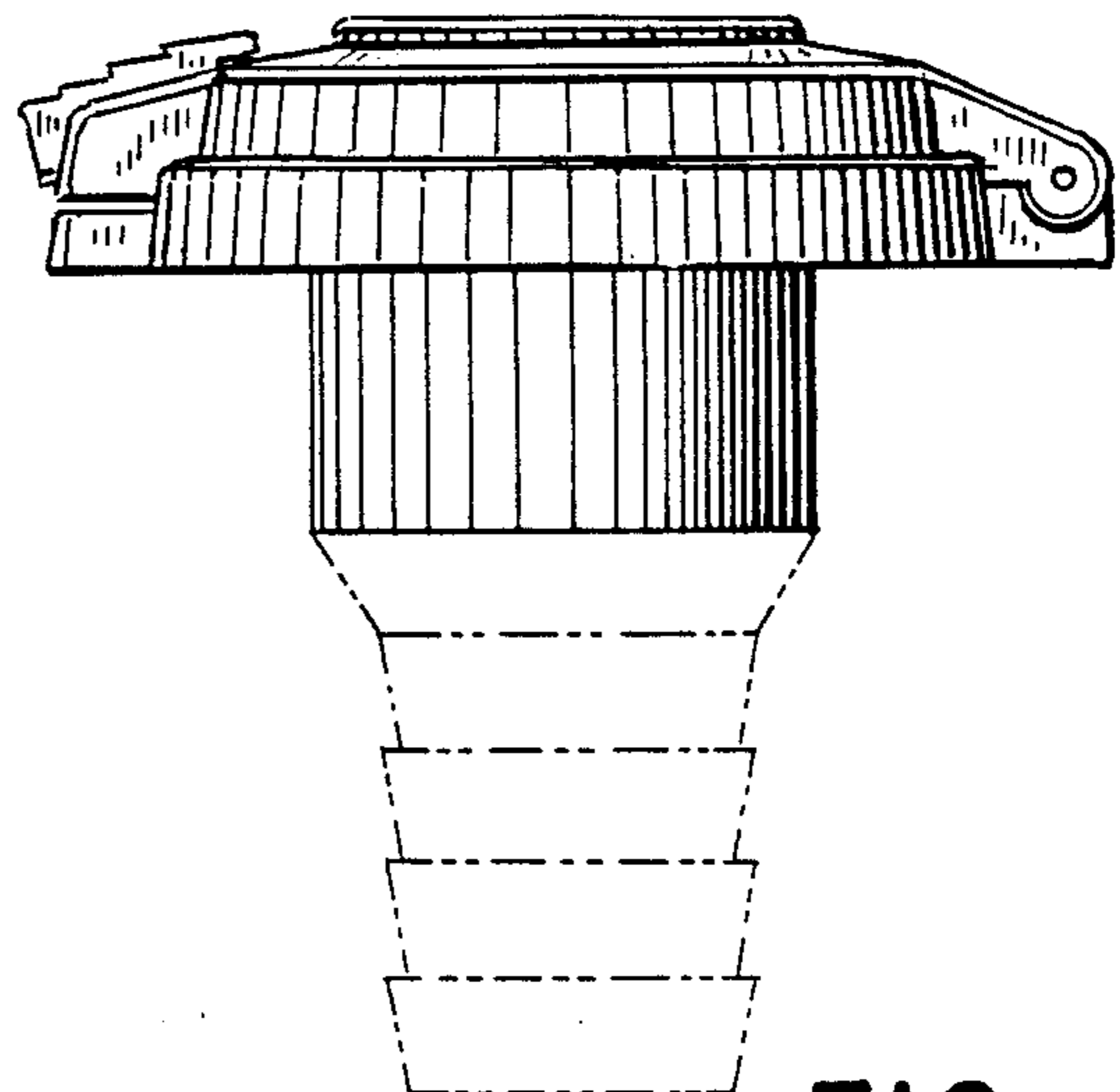


FIG. 4

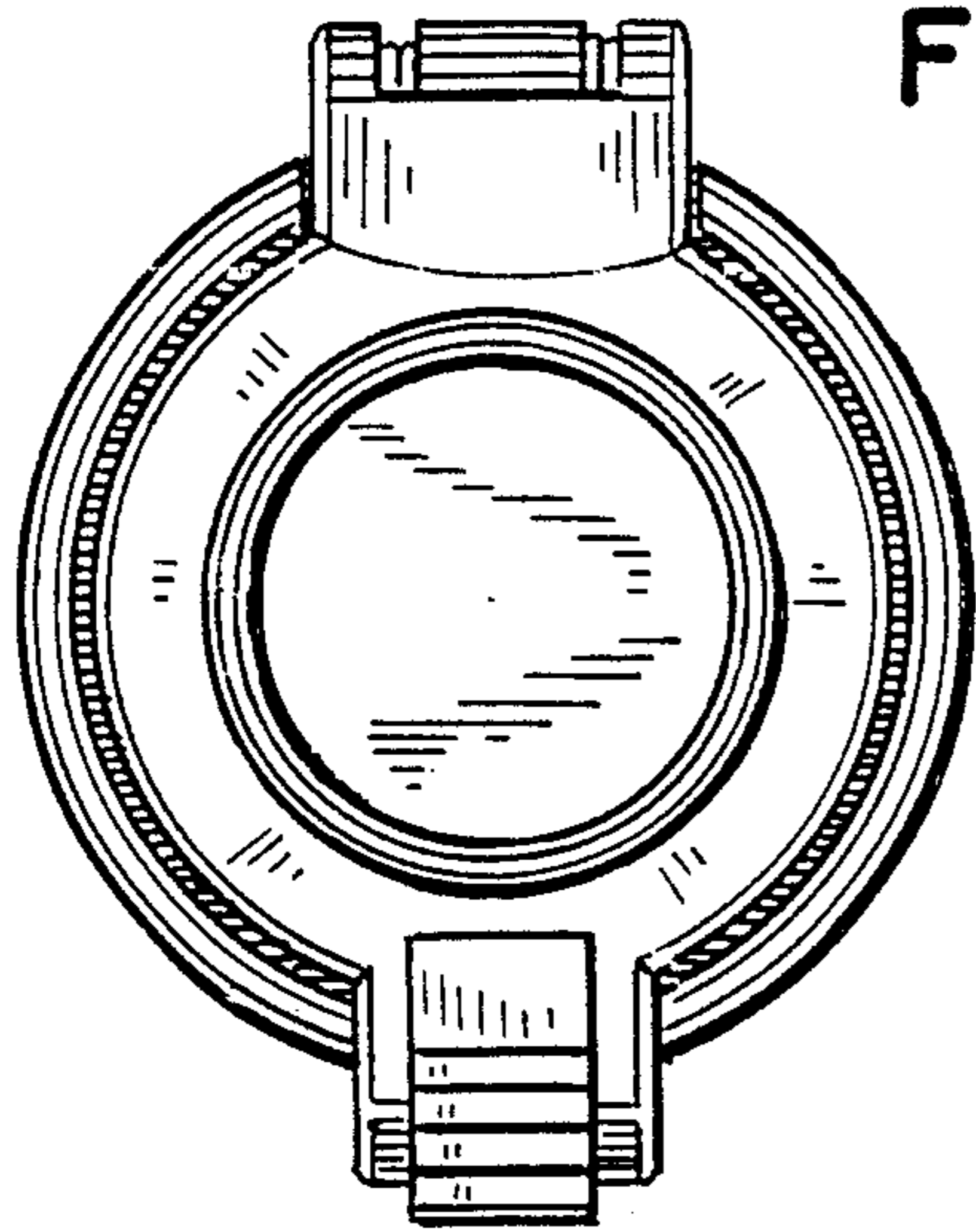


FIG. 5

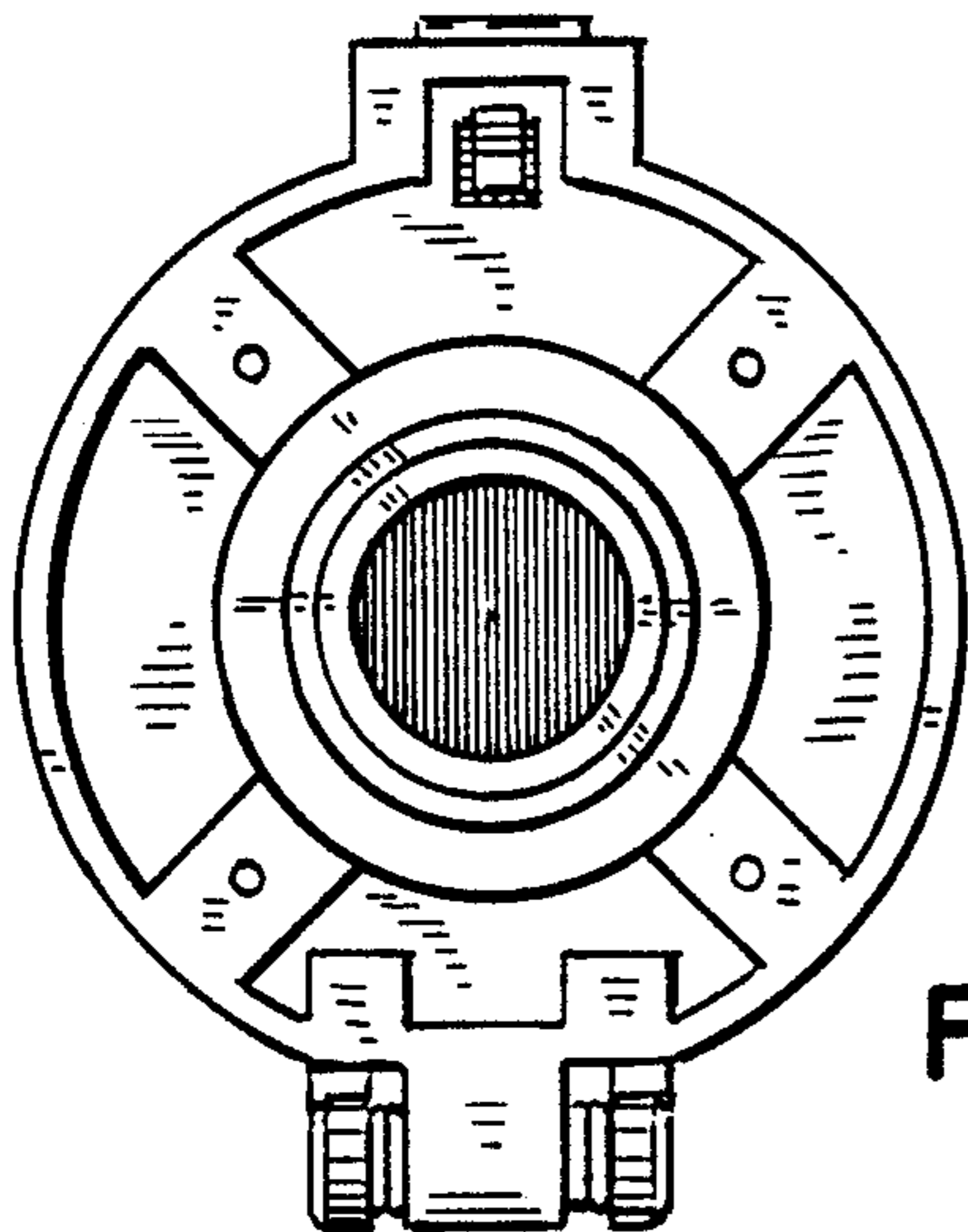


FIG. 6

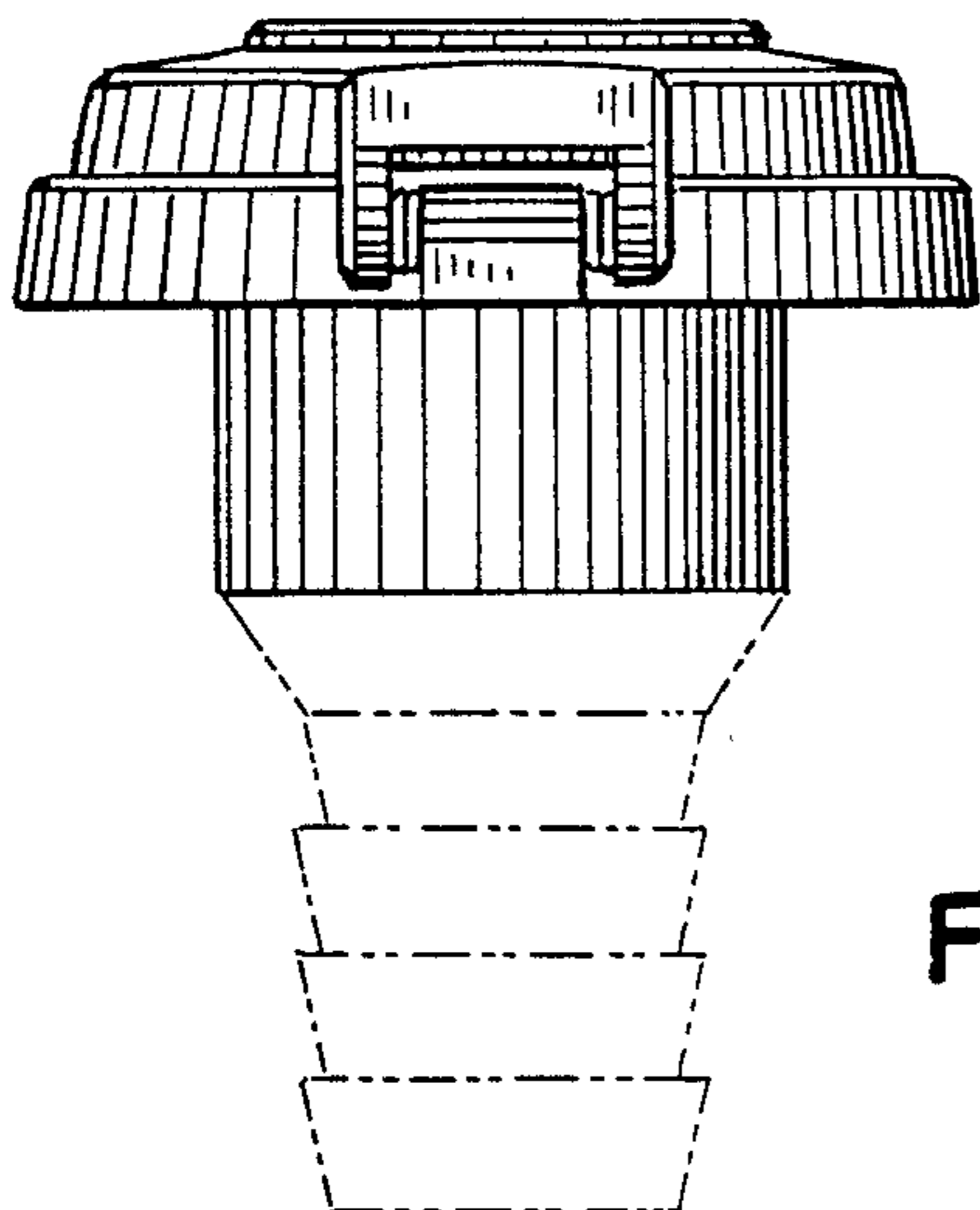


FIG. 7

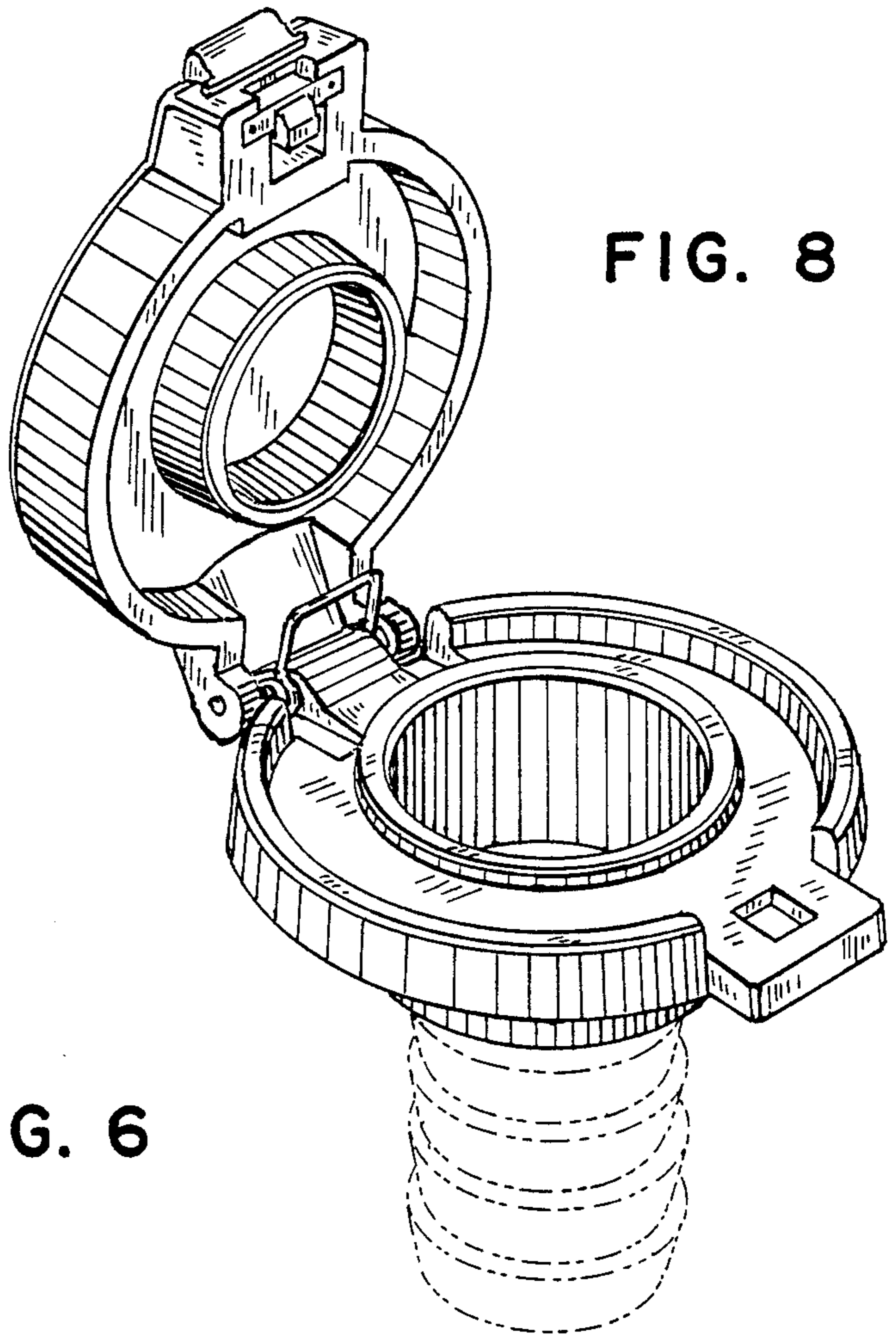


FIG. 8