

[54] DOOR EDGE GUARD

[75] Inventor: Robert Adell, Sunnyvale, Tex.  
[73] Assignee: Adell Corporation, Sunnyvale, Tex.  
[\*\*] Term: 14 Years  
[21] Appl. No.: 155,017  
[22] Filed: Feb. 11, 1988  
[52] U.S. Cl. .... D12/167  
[58] Field of Search ..... D12/167, 190; 49/462; 52/716, 823

[56] References Cited

U.S. PATENT DOCUMENTS

D. 289,890	5/1987	Adell	.....	D12/190
4,753,040	6/1988	Adell	.....	49/462
4,796,386	1/1989	Adell	.....	52/716
4,852,301	8/1989	Adell	.....	49/462

Primary Examiner—James M. Gandy  
Attorney, Agent, or Firm—Timmons & Kelly

[57] CLAIM

The ornamental design for a door edge guard, as shown and described.

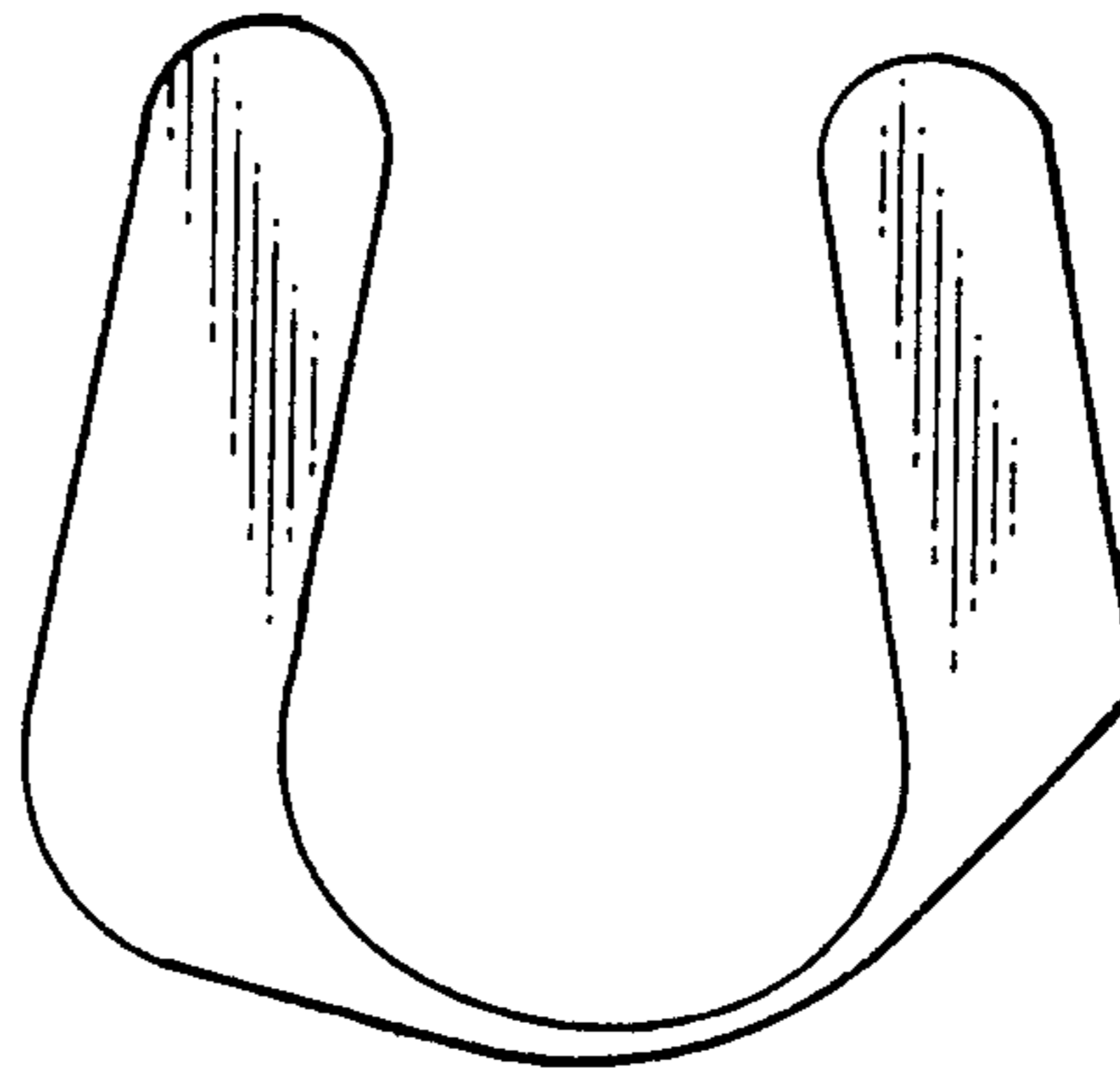
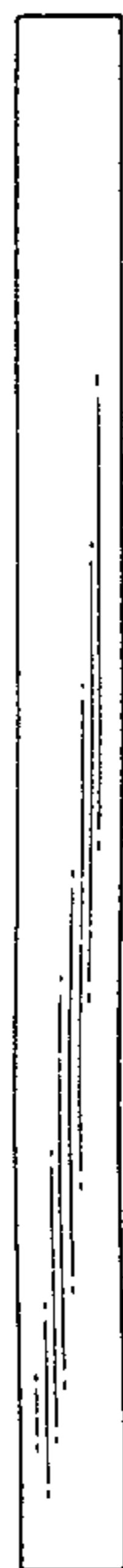
DESCRIPTION

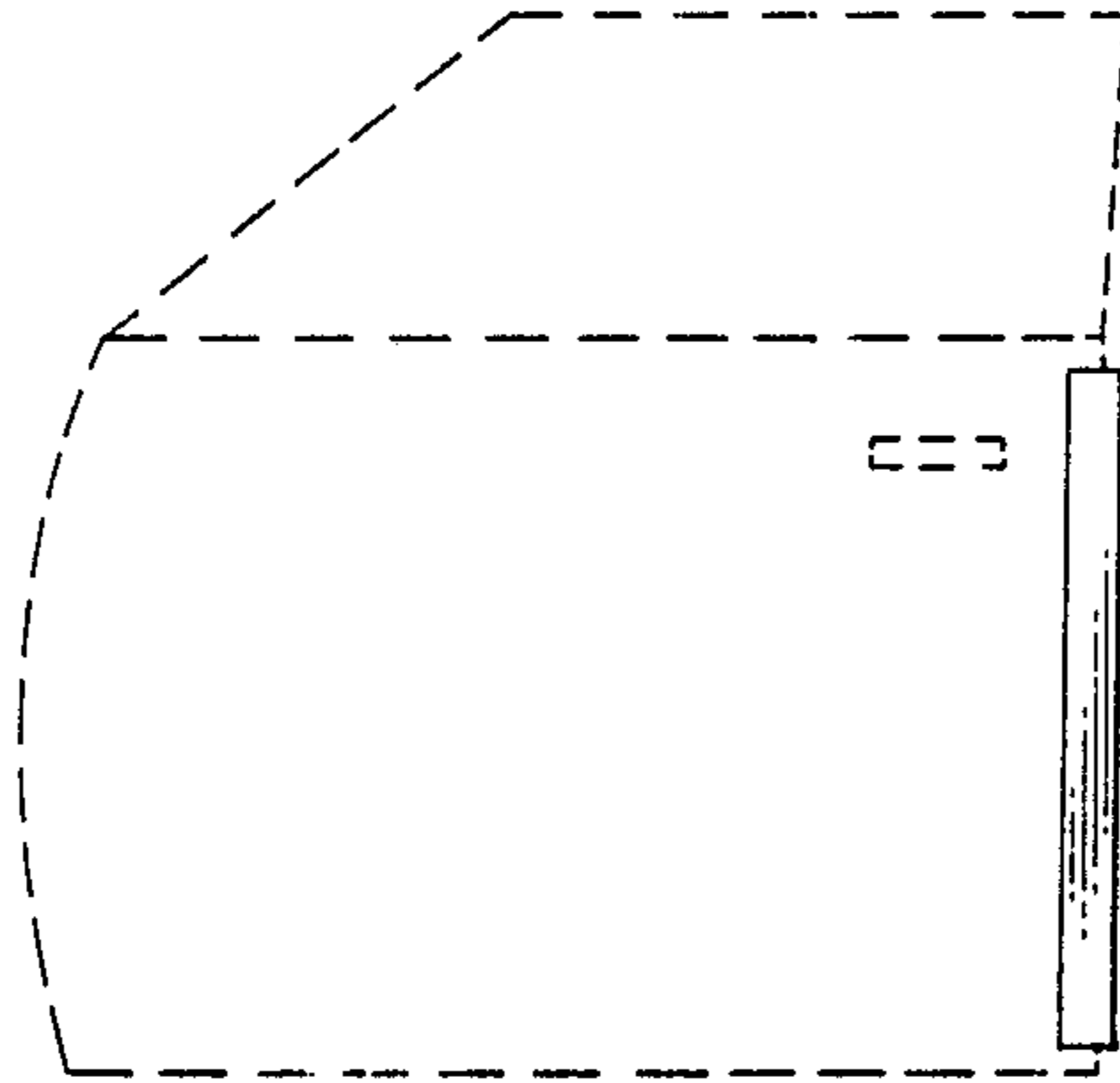
FIG. 1 is a side elevational view of a door edge guard showing my new design;  
FIG. 2 is an enlarged side elevational view thereof;  
FIG. 3 is a greatly enlarged top plan view thereof and rotated 90° clockwise;

FIG. 4 is a top plan view of a door edge guard showing a second embodiment of my new design;  
FIG. 5 is a side elevational view of a door edge guard showing a third embodiment of my new design;  
FIG. 6 is an enlarged side elevational of FIG. 5;  
FIG. 7 is a greatly enlarged top plan view of FIG. 5 and rotated 90° clockwise;  
FIG. 8 is a side elevational view of a door edge guard showing a fourth embodiment of my new design;  
FIG. 9 is an enlarged side elevational view of FIG. 8;  
FIG. 10 is a greatly enlarged top plan view of FIG. 8 and rotated 90° clockwise;  
FIG. 11 is a side elevational view of a door edge guard showing a fifth embodiment of my new design;  
FIG. 12 is an enlarged side elevational view of FIG. 11;  
FIG. 13 is a greatly enlarged top plan view of FIG. 11 and rotated 90° clockwise.

It is understood that the side elevational view of the second embodiment is substantially the same as that of the first embodiment shown in FIGS. 1 and 2 and that the opposite side of the five embodiments of the door edge guard is plain and unornamented. Furthermore, it is understood that the bottom plan view of each embodiment is the mirror image of the top plan view thereof. Still further it is understood that a transverse cross section through any of the embodiments of the door edge guard along its length would present the same configuration as the corresponding plan view thereof.

The broken line showing of a door in FIGS. 1, 5, 8, and 11 is for illustrative purposes only and forms no part of the claimed design.

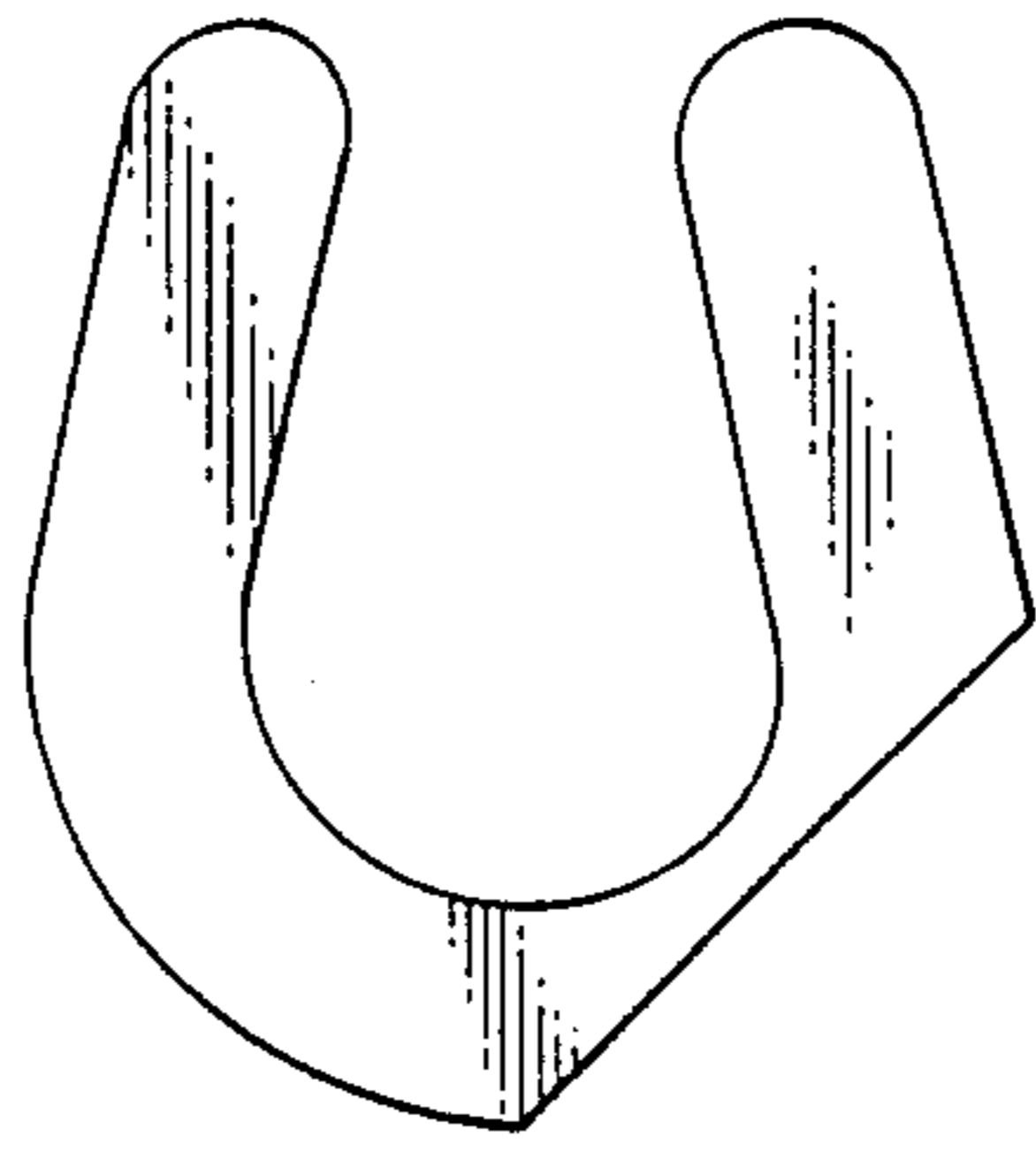




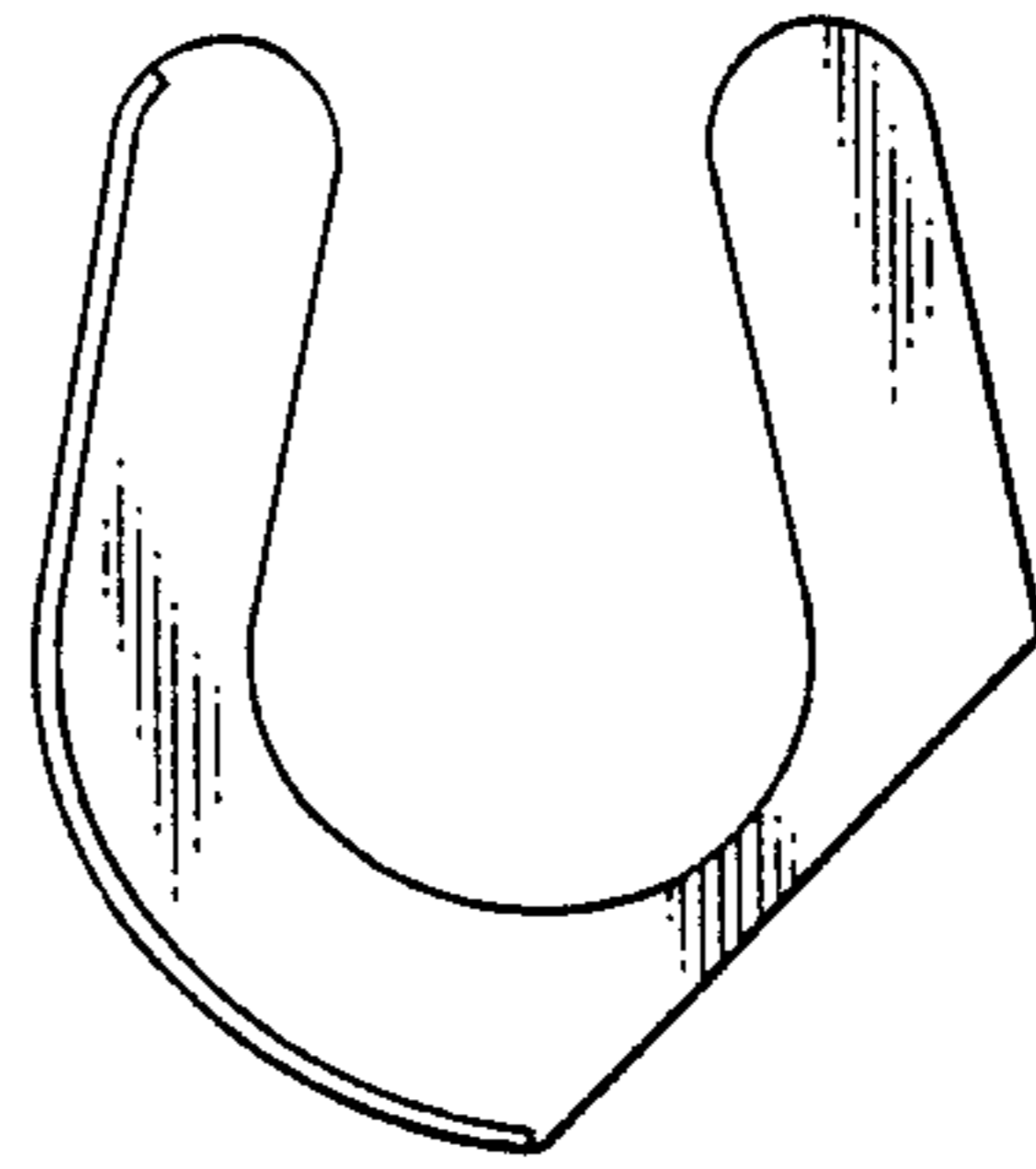
*Fig. 1*



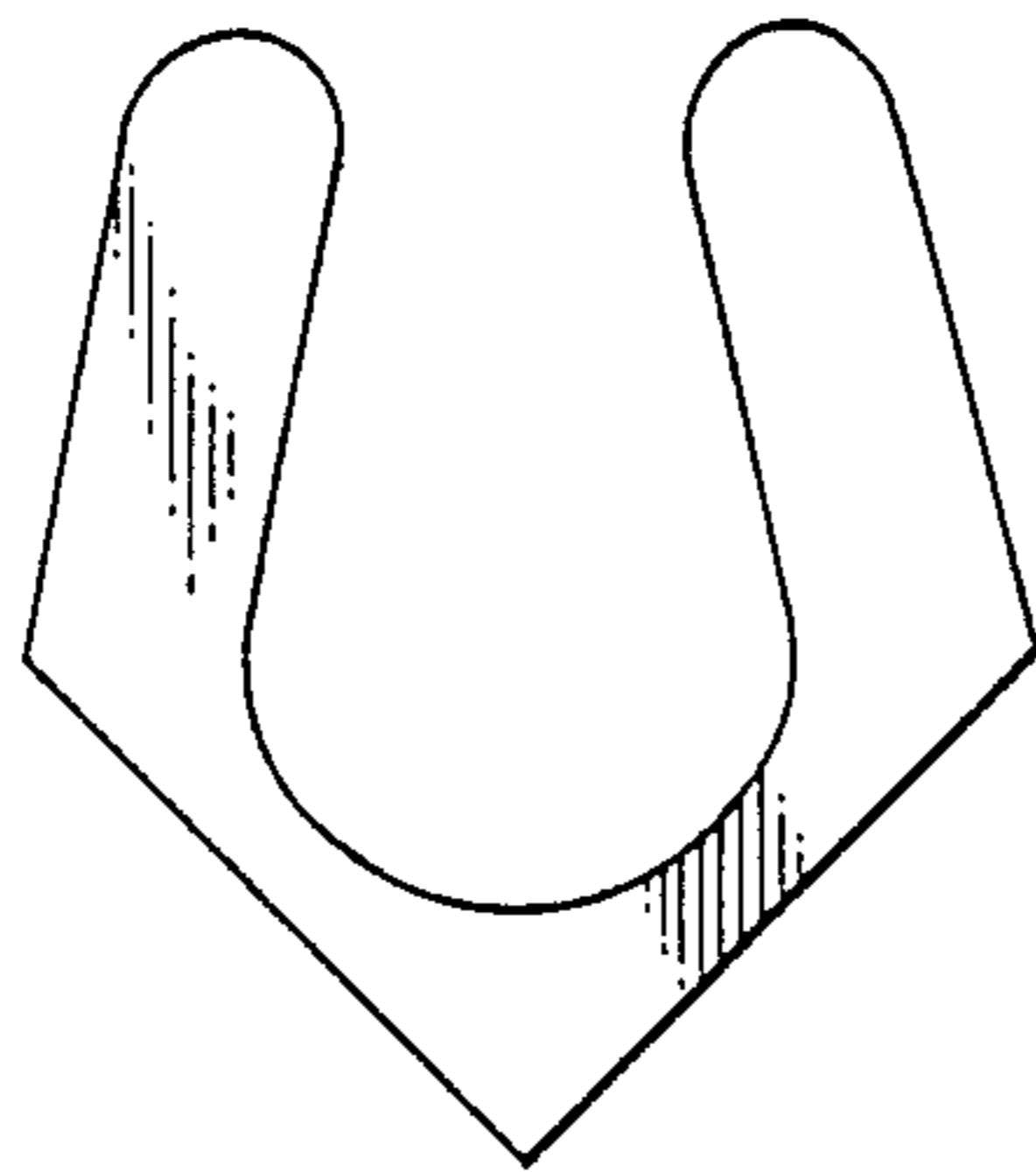
*Fig. 2*



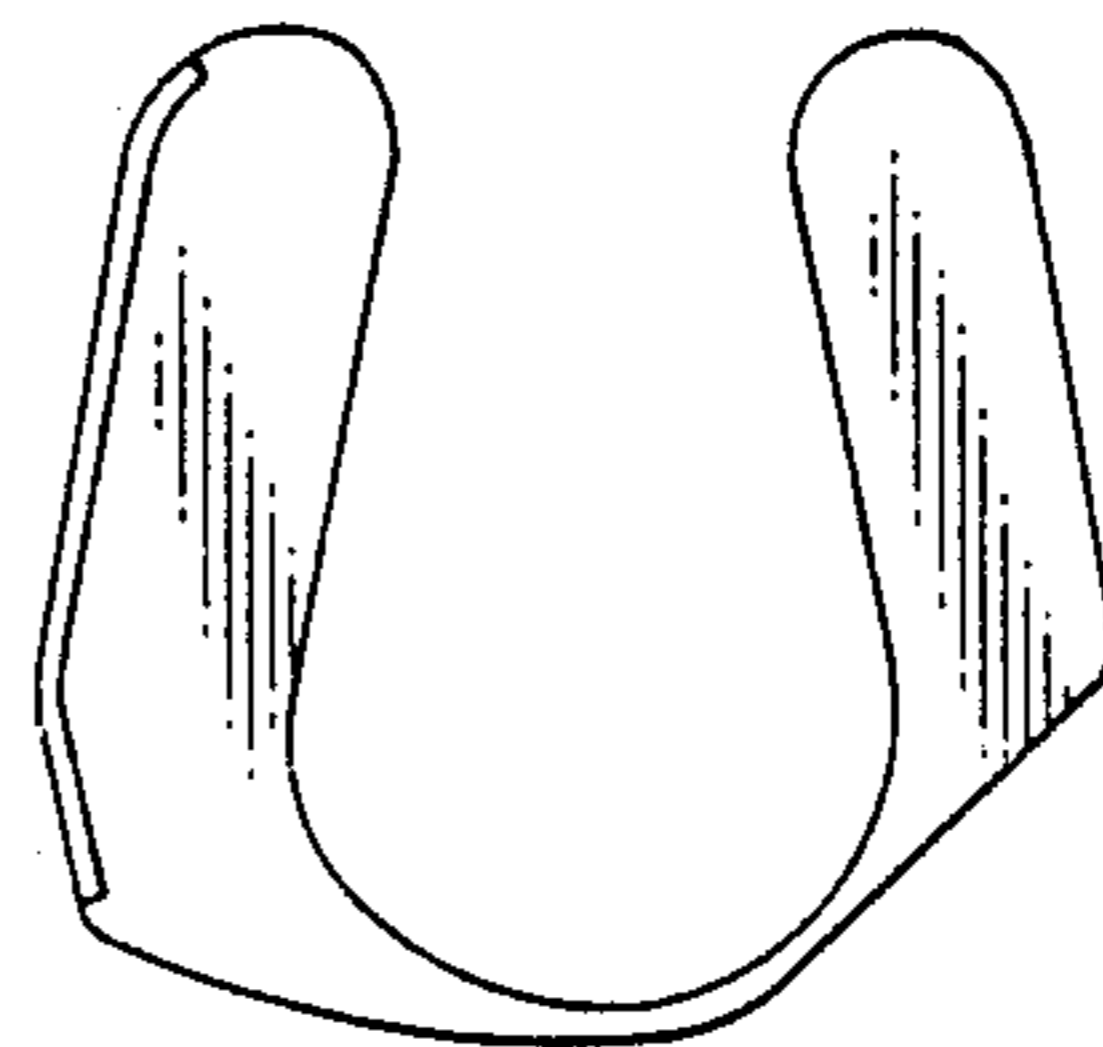
*Fig. 4*



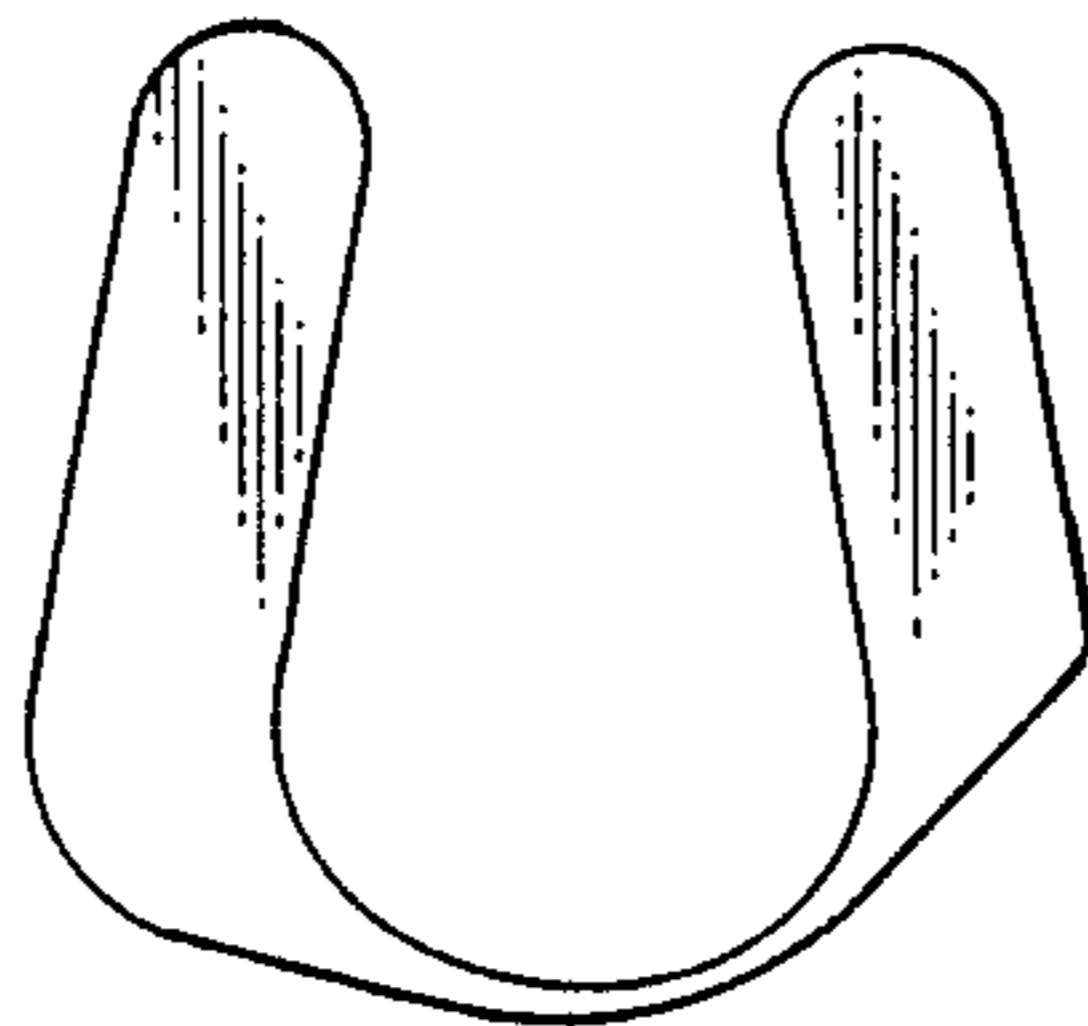
*Fig. 10*



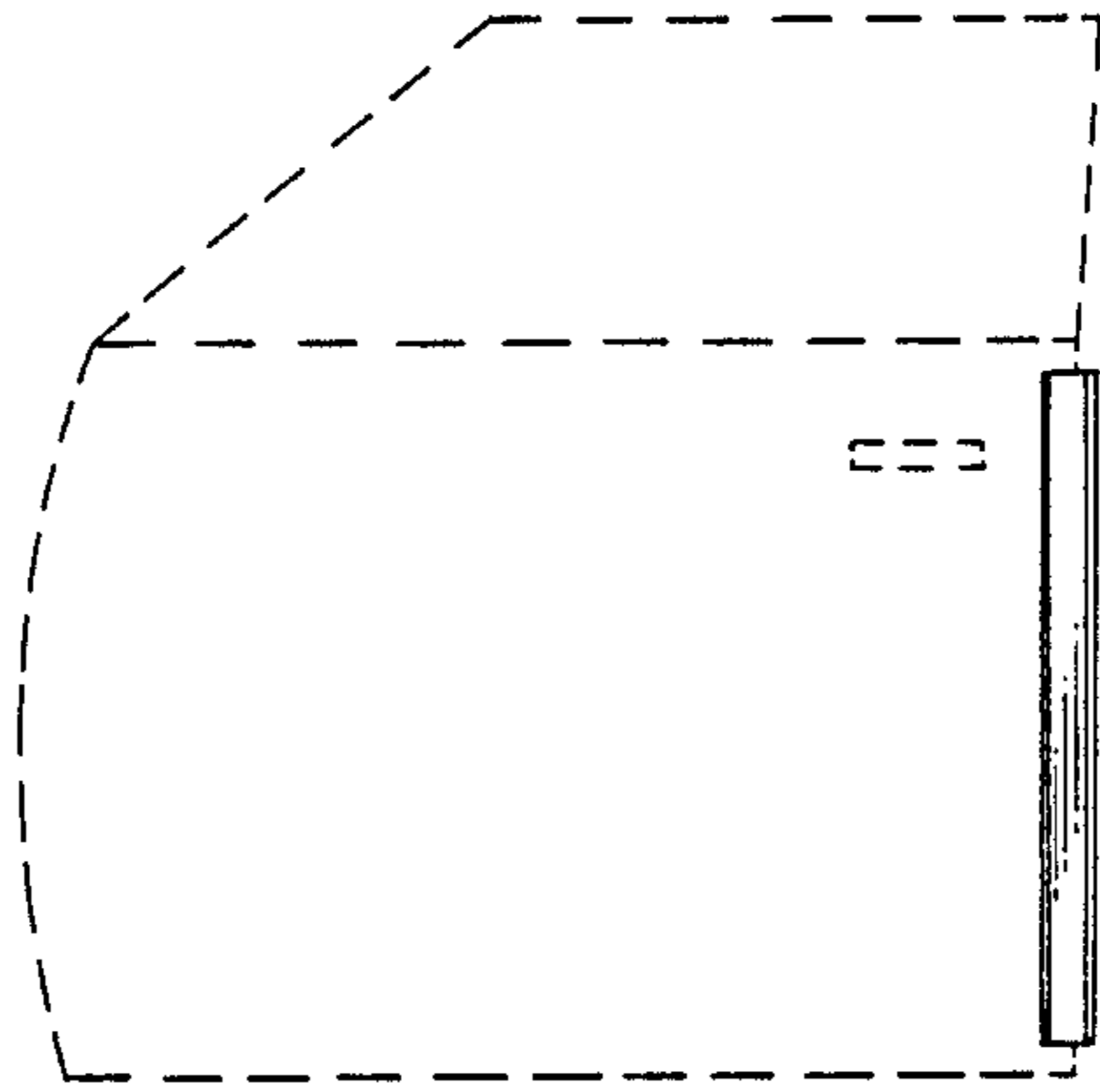
*Fig. 13*



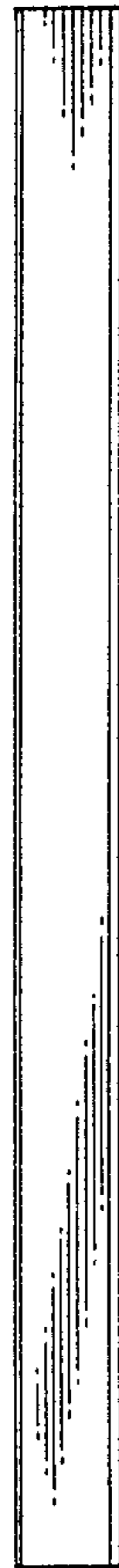
*Fig. 7*



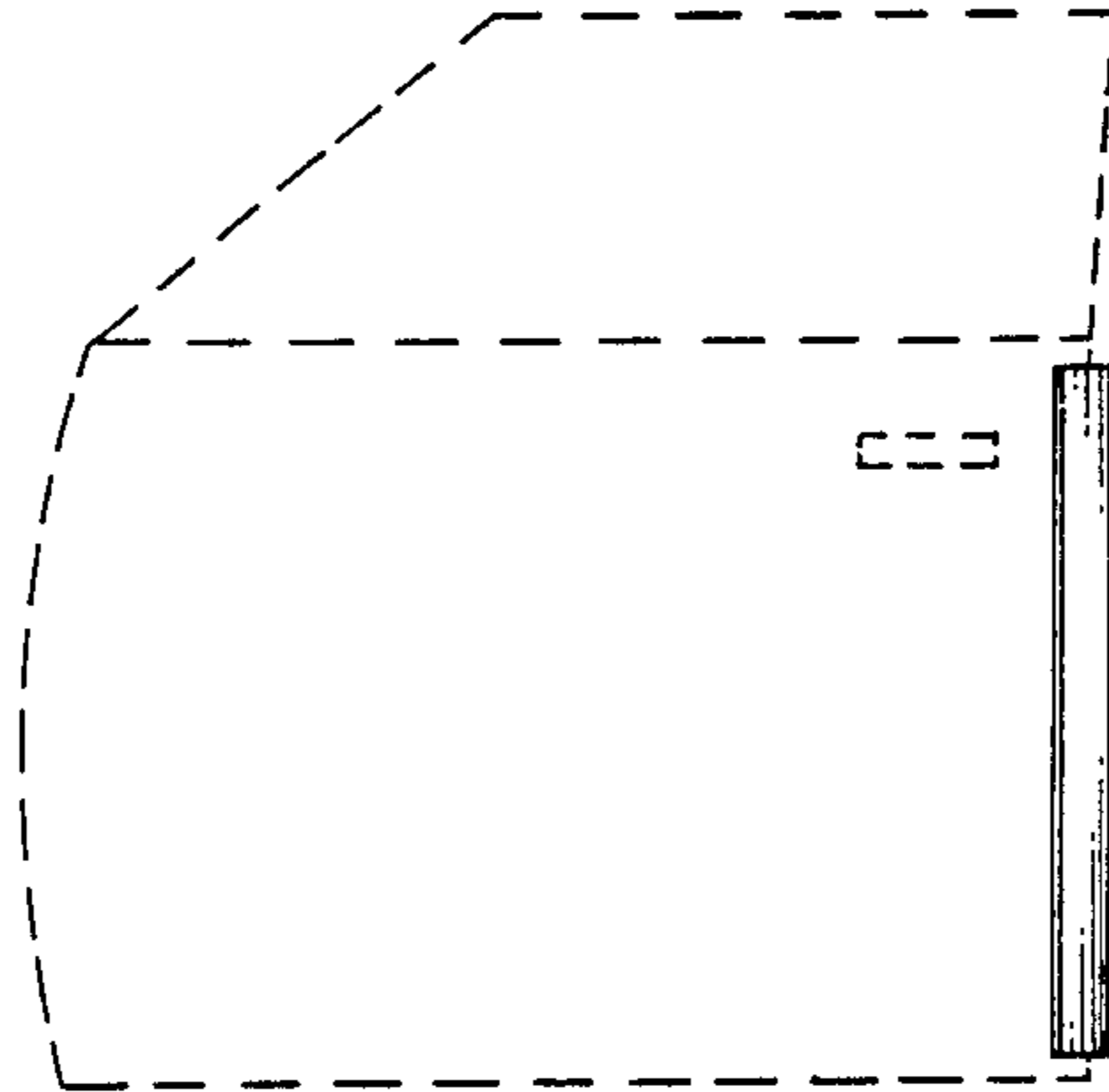
*Fig. 3*



*Fig. 5*



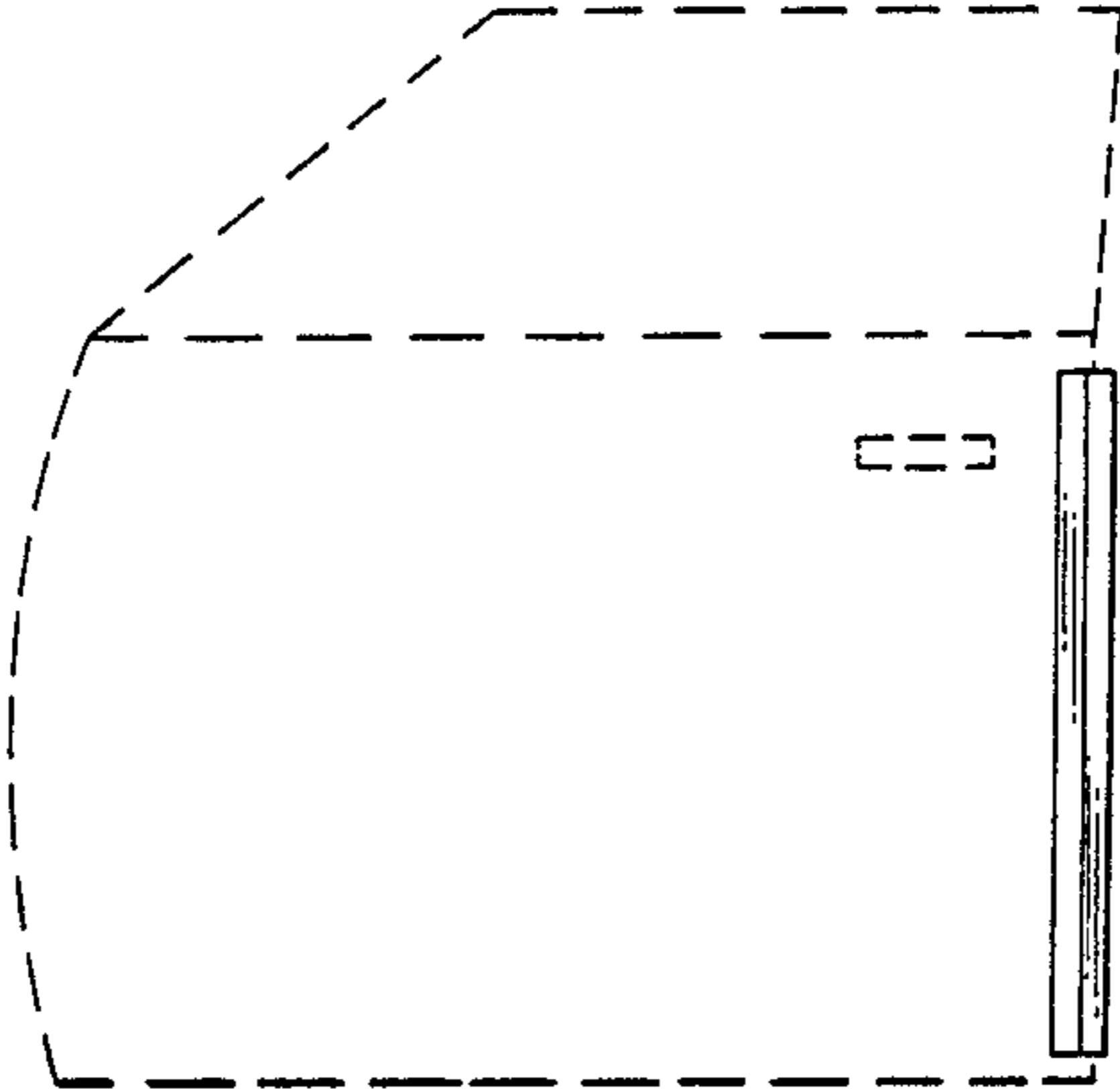
*Fig. 6*



*Fig. 8*



*Fig. 9*



*Fig. 11*



*Fig. 12*